



US00D894381S

(12) **United States Design Patent** (10) **Patent No.:** **US D894,381 S**
Shaw et al. (45) **Date of Patent:** **** Aug. 25, 2020**

- (54) **SYRINGE BARREL**
- (71) Applicants: **Retractable Technologies, Inc.**, Little Elm, TX (US); **Thomas J. Shaw**, Frisco, TX (US)
- (72) Inventors: **Thomas J. Shaw**, Frisco, TX (US); **Mark Small**, Heavener, OK (US)
- (73) Assignee: **RETRACTABLE TECHNOLOGIES, INC.**, Little Elm, TX (US)
- (**) Term: **15 Years**
- (21) Appl. No.: **29/697,993**
- (22) Filed: **Jul. 12, 2019**

Related U.S. Application Data

- (62) Division of application No. 16/370,239, filed on Mar. 29, 2019.
- (51) **LOC (12) Cl.** **24-02**
- (52) **U.S. Cl.**
USPC **D24/130**
- (58) **Field of Classification Search**
USPC D24/127-131, 112-114, 133, 186;
606/181, 185; 604/264, 523-528, 272,
604/187, 158, 164.01-164.11, 181, 184,
604/227; 600/101, 139, 143;
128/200.24, 207.14, 207.15
CPC .. A61M 25/065; A61M 5/42; A61M 25/0612;
A61M 25/00; A61M 39/00; A61M 27/00;
A61M 25/0043; A61M 25/0067; A61M
25/0097; A61F 2/958
See application file for complete search history.

(56) **References Cited**

U.S. PATENT DOCUMENTS

- D302,726 S 8/1989 Schwobel
- 5,437,647 A 8/1995 Firth et al.

- D377,687 S 1/1997 Udovch
- 5,782,804 A 7/1998 McMahon
- D420,129 S 2/2000 McMahon
- 6,514,261 B1 * 2/2003 Randall A61F 2/95
604/528
- D673,670 S * 1/2013 Linnenschmidt D24/112
- D693,003 S * 11/2013 Wang D24/130
- 9,044,552 B2 6/2015 Schraga
- D793,549 S * 8/2017 Defusco D24/128
- D793,550 S * 8/2017 Defusco D24/128
- D805,199 S * 12/2017 Chen D24/146
- D815,732 S 4/2018 Mills et al.
- D823,457 S 7/2018 Shaw et al.
- D829,891 S * 10/2018 Shaw D24/114
- D832,423 S * 10/2018 Ishida A61M 25/0606
D24/112
- D835,265 S * 12/2018 Inoue D24/129
- D849,938 S * 5/2019 Gloria Bello D24/129
- D853,560 S * 7/2019 Malcolm D24/133
- 2008/0114306 A1 5/2008 Bare

(Continued)

Primary Examiner — David G Muller
(74) *Attorney, Agent, or Firm* — Ross Barnes LLP;
Monty L. Ross

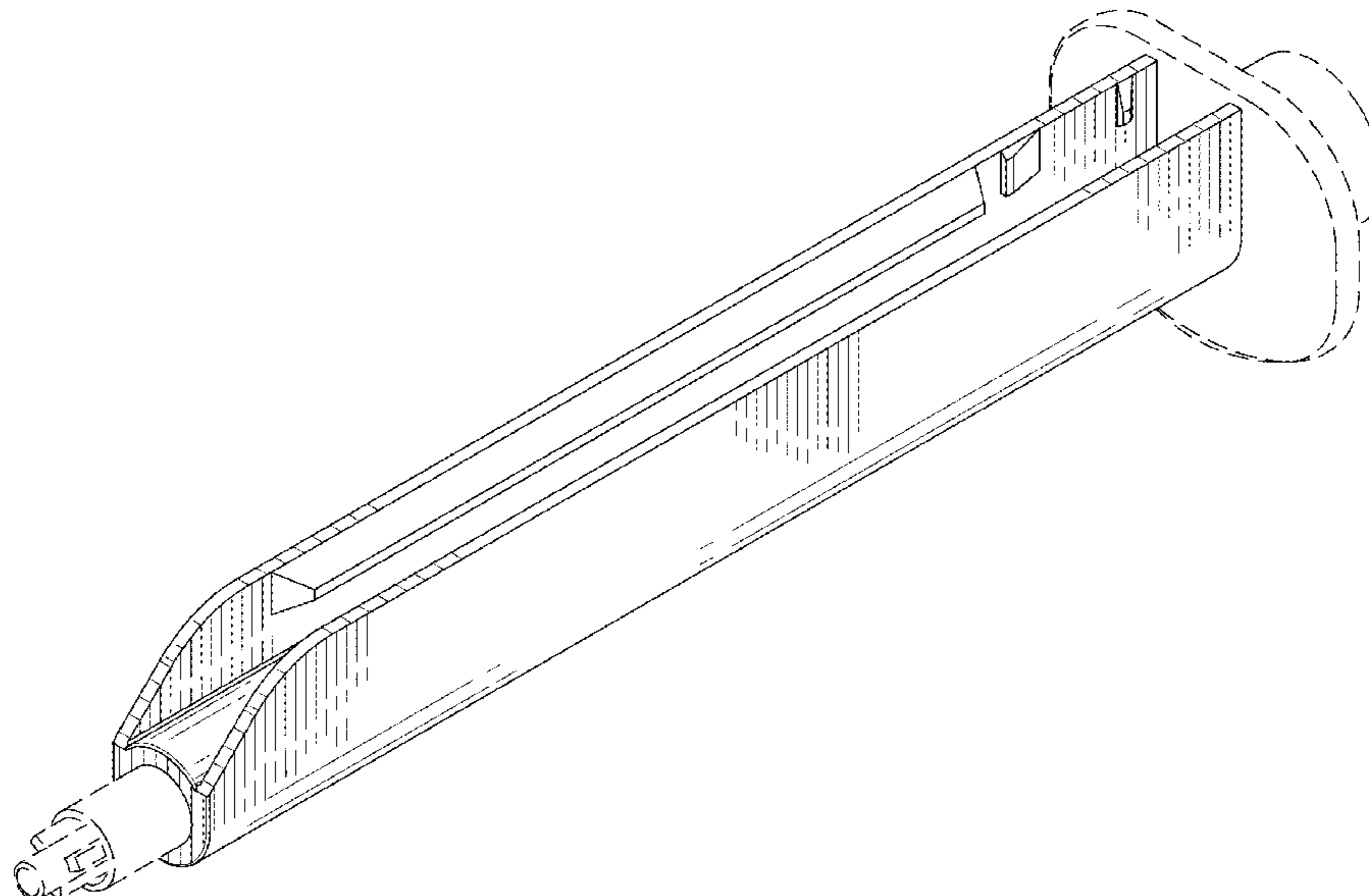
(57) **CLAIM**

The ornamental design for a syringe barrel, as shown and described.

DESCRIPTION

FIG. 1 is a front perspective view;
FIG. 2 is a front elevation view;
FIG. 3 is a rear elevation view;
FIG. 4 is a right side view;
FIG. 5 is a left side view;
FIG. 6 is a top view; and,
FIG. 7 is a bottom view.
The broken line showing of parts of the drawings is included for the purpose of illustrating use and environment and forms no part of the claimed design.

1 Claim, 4 Drawing Sheets



(56)

References Cited

U.S. PATENT DOCUMENTS

2012/0022464 A1* 1/2012 Zivkovic A61M 5/31511
604/198
2013/0023826 A1* 1/2013 Ishida A61M 5/158
604/165.02
2015/0196714 A1 7/2015 Creaturo

* cited by examiner

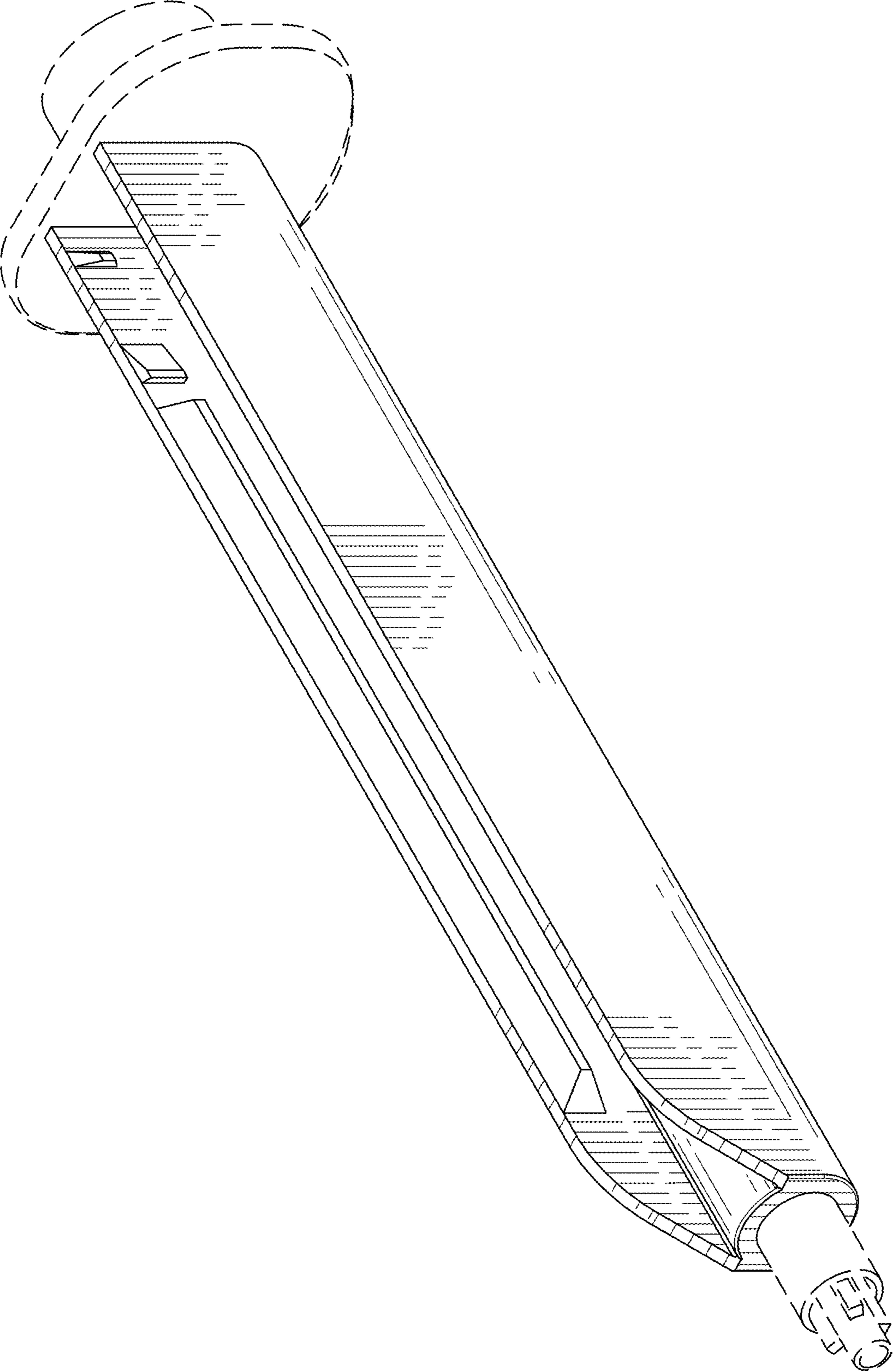


FIG. 1

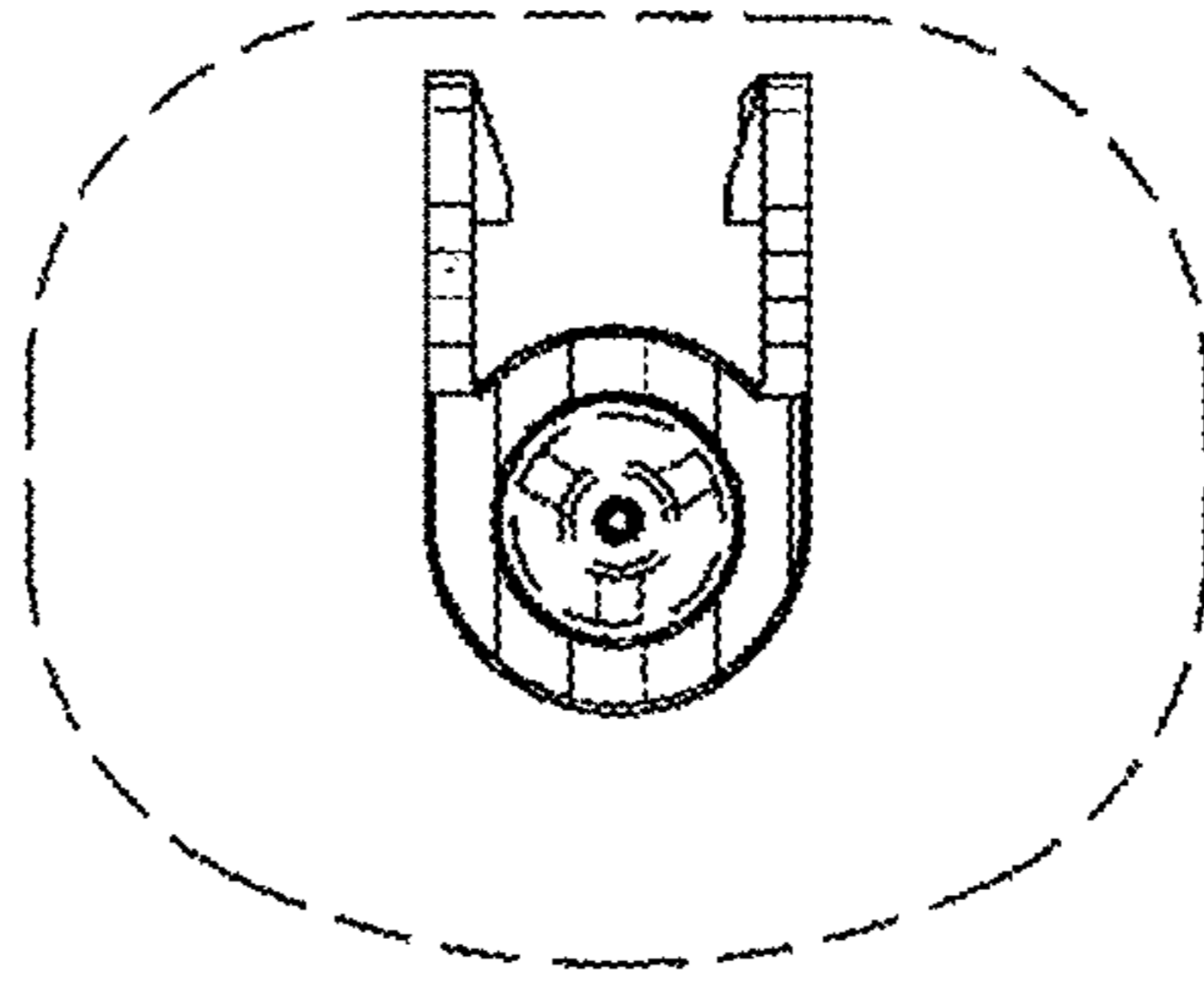


FIG. 2

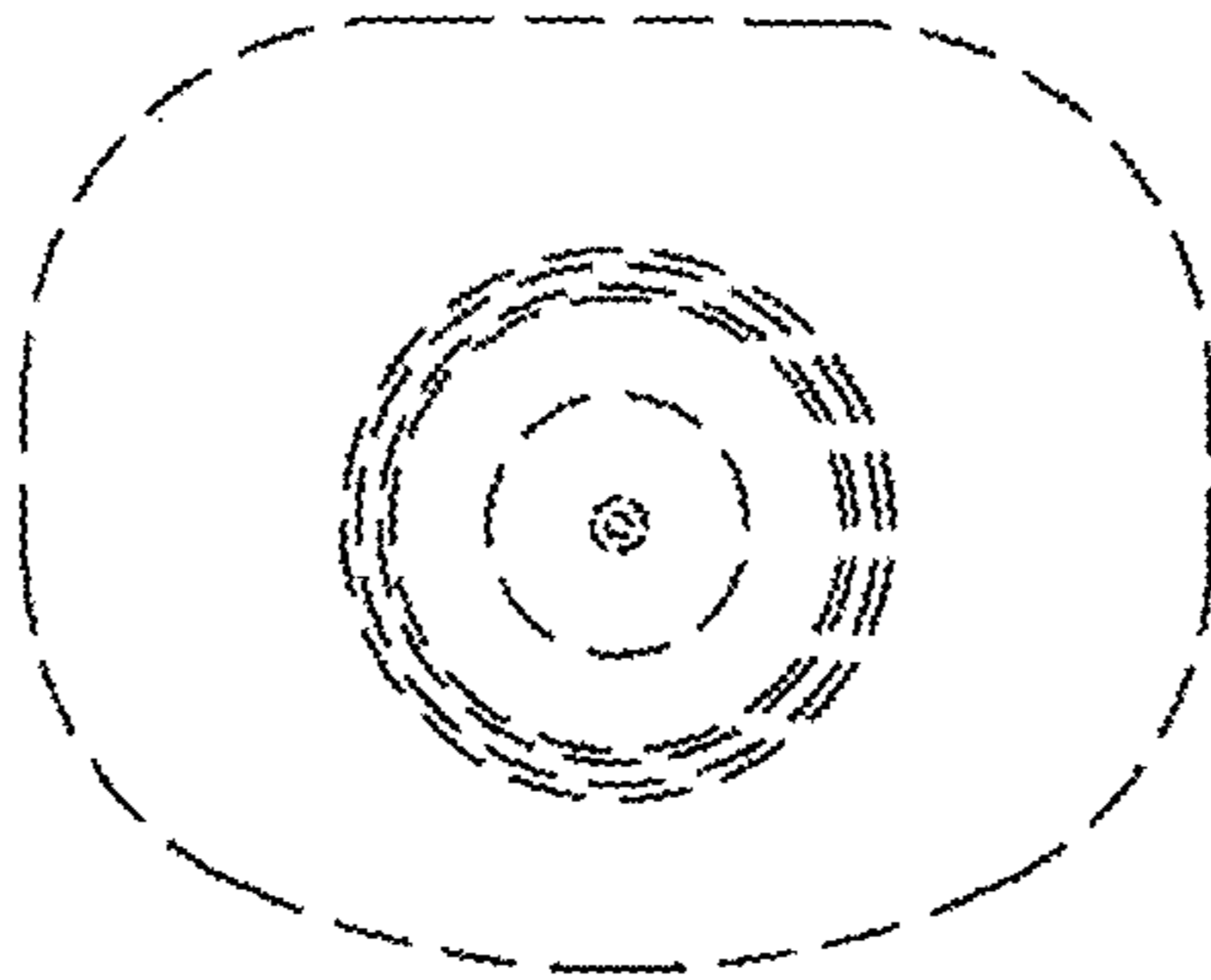


FIG. 3

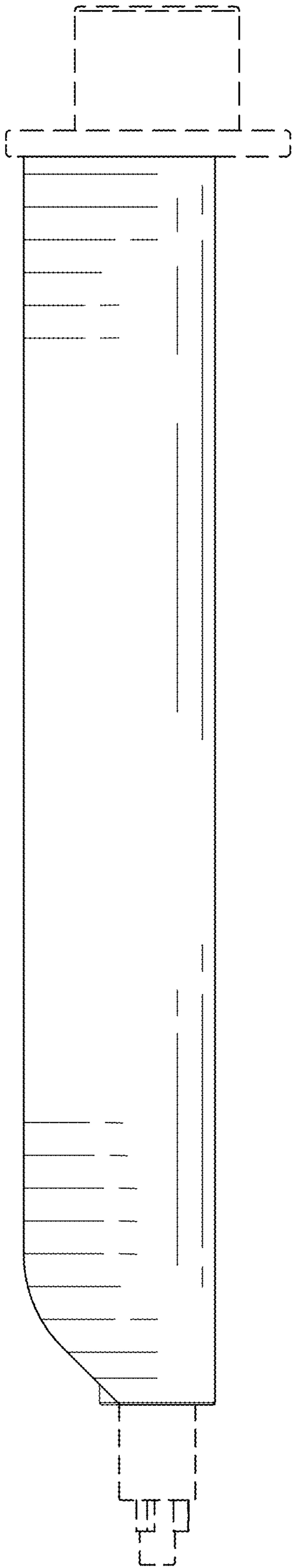


FIG. 4

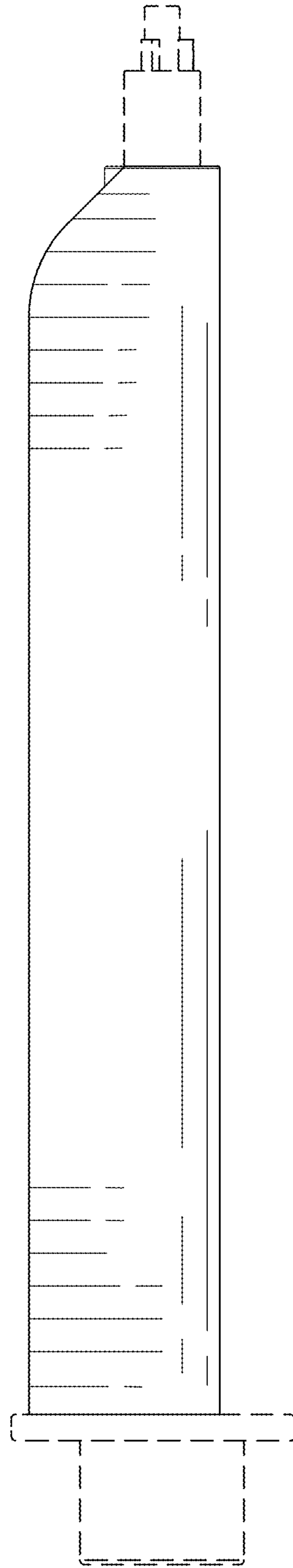


FIG. 5

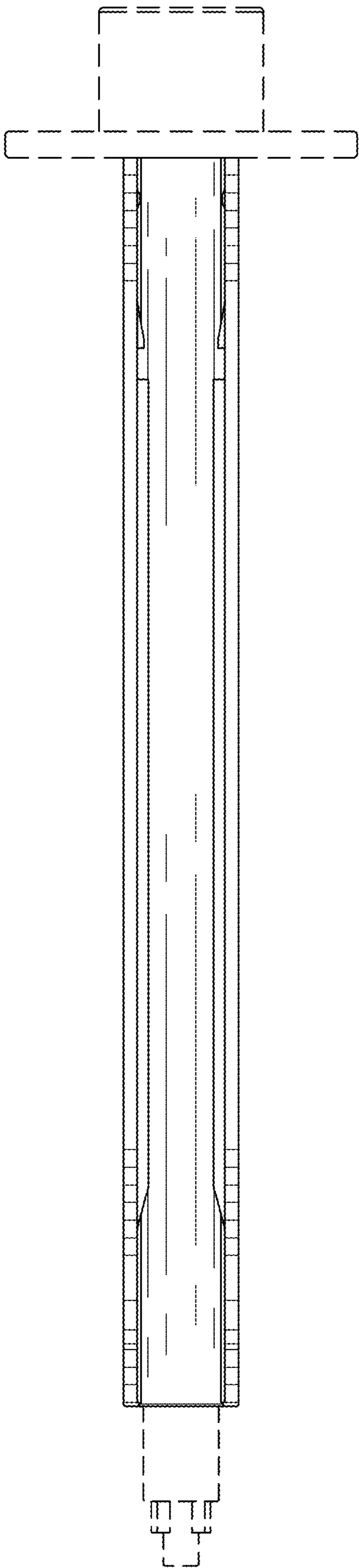


FIG. 6

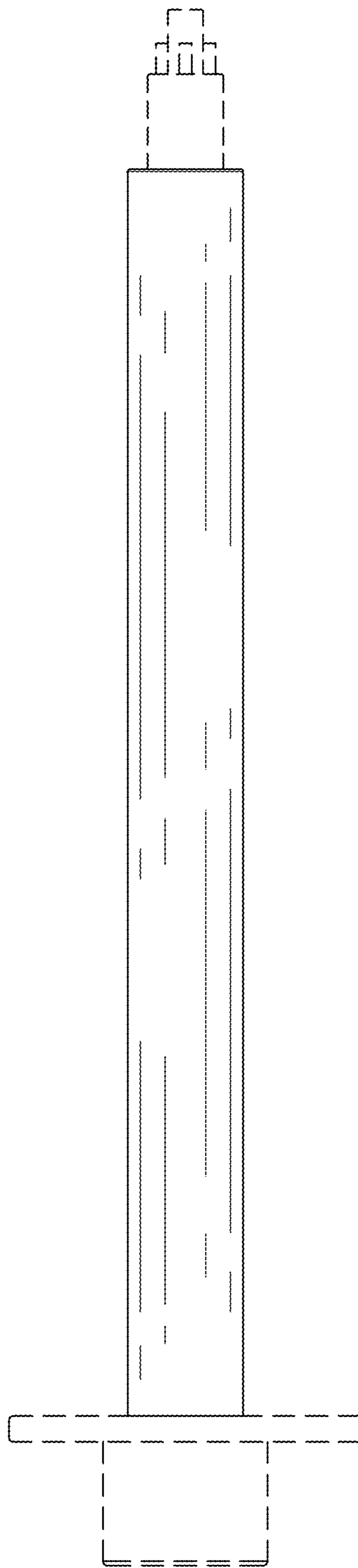


FIG. 7