



US00D894380S

(12) **United States Design Patent** (10) **Patent No.:** **US D894,380 S**
Roberts et al. (45) **Date of Patent:** **** Aug. 25, 2020**

- (54) **STYLET HUB**
- (71) Applicant: **Cook Medical Technologies LLC**,
Bloomington, IN (US)
- (72) Inventors: **Erin Roberts**, Bloomington, IN (US);
Shawn Nichols, Bloomington, IN (US);
Wesley Pedersen, Bloomington, IN
(US)
- (73) Assignee: **Cook Medical Technologies LLC**,
Bloomington, IN (US)
- (**) Term: **15 Years**
- (21) Appl. No.: **29/664,085**
- (22) Filed: **Sep. 21, 2018**
- (51) **LOC (12) Cl.** **24-02**
- (52) **U.S. Cl.**
USPC **D24/130**
- (58) **Field of Classification Search**
USPC D24/127-131, 112-114, 133, 186;
606/181, 185; 604/264, 523-528, 272,
604/187, 158, 164.01-164.11, 181, 184,
604/227; 600/101, 139, 143;
128/200.24, 207.14, 207.15
CPC A61B 1/32; A61M 25/09041; A61M
2025/09116
See application file for complete search history.

- 6,395,012 B1 5/2002 Yoon et al.
 - D476,418 S * 6/2003 Sprieck D24/130
 - D565,192 S * 3/2008 Tajima D24/222
 - D585,547 S * 1/2009 Bisleri D24/133
 - D630,733 S * 1/2011 Ahlgren D24/130
 - D640,785 S * 6/2011 Lee D24/112
 - D663,832 S * 7/2012 Essinger D24/112
 - 8,282,612 B1 10/2012 Miller
 - D692,134 S * 10/2013 Lee-Sepsick D24/146
 - D699,341 S * 2/2014 Clark D24/112
- (Continued)

FOREIGN PATENT DOCUMENTS

DE 4225520 A1 2/1994

OTHER PUBLICATIONS

Partial International Search Report for PCT/US2018/036865, dated Aug. 31, 2018, 10 pages.

(Continued)

Primary Examiner — Nathan M Johnston

(74) *Attorney, Agent, or Firm* — Brinks, Gilson & Lione

(57) **CLAIM**

We claim the ornamental design for a stylet hub, as shown and described.

DESCRIPTION

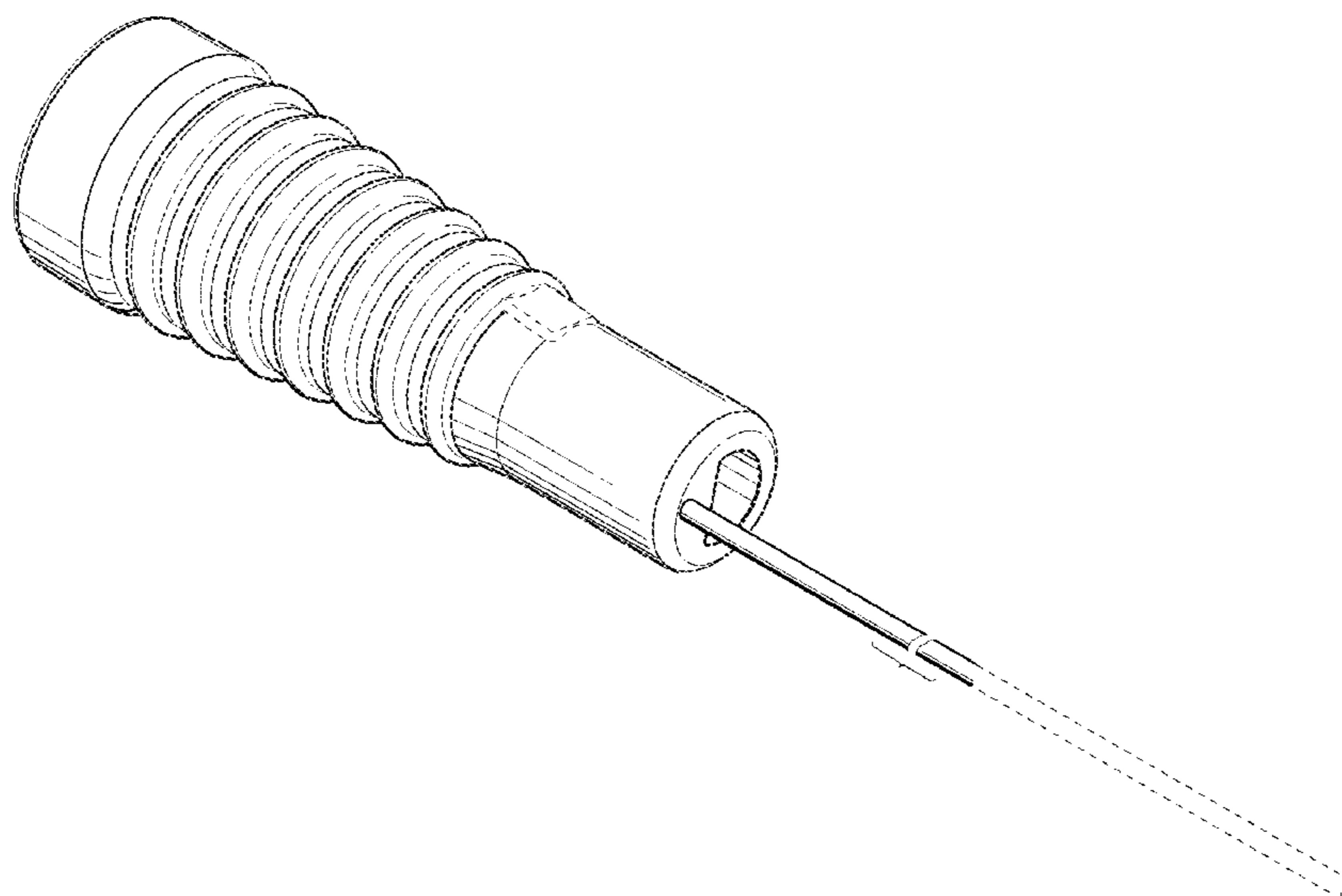
FIG. 1 is a side perspective view of a stylet hub showing our new design;
 FIG. 2 is a top plan view thereof;
 FIG. 2 is a bottom plan view thereof;
 FIG. 3 is a top plan view thereof;
 FIG. 4 is a front elevation view thereof;
 FIG. 5 is a rear elevation view thereof;
 FIG. 6 is a left side elevation view thereof; and,
 FIG. 7 is a right side elevation view thereof.
 The broken lines show portions of the stylet hub that form no part of the claimed design.

1 Claim, 4 Drawing Sheets

(56) **References Cited**

U.S. PATENT DOCUMENTS

- 837,085 A 11/1906 Loar
- 3,822,702 A 7/1974 Bolduc
- 4,207,891 A 6/1980 Bolduc
- D286,677 S * 11/1986 Osborne D24/112
- 4,753,640 A 6/1988 Nichols et al.
- 4,964,854 A * 10/1990 Luther A61M 5/3273
604/166.01
- 5,295,968 A 3/1994 Martel et al.
- 6,245,029 B1 6/2001 Fujita et al.



(56)

References Cited

U.S. PATENT DOCUMENTS

D713,957 S * 9/2014 Woehr D24/112
 9,067,013 B2 6/2015 Wright et al.
 D747,802 S * 1/2016 Freigang D24/133
 D748,777 S * 2/2016 Uenishi D24/130
 D751,704 S * 3/2016 Corydon D24/130
 9,364,638 B2 6/2016 Duncan
 D772,411 S * 11/2016 Heath D24/146
 D798,446 S * 9/2017 Nino D24/133
 D816,217 S * 4/2018 Naughton D24/130
 D846,116 S * 4/2019 Naughton D24/130
 D854,148 S * 7/2019 Prinz D24/133
 D859,651 S * 9/2019 Harding D24/130
 2004/0030352 A1 2/2004 McGloughlin et al.
 2005/0143689 A1 6/2005 Ramsey, III
 2006/0015075 A1* 1/2006 Blanco A61B 17/3474
 604/264
 2006/0173486 A1 8/2006 Burke et al.
 2009/0157007 A1* 6/2009 McKinnon A61M 25/0014
 604/177
 2011/0060317 A1* 3/2011 Frojd A61M 25/0009
 604/544
 2011/0220120 A1 9/2011 Frigstad et al.
 2013/0204208 A1 8/2013 Olson et al.
 2014/0094773 A1* 4/2014 Lampropoulos .. A61M 25/0009
 604/506
 2014/0158138 A1 6/2014 Ziv et al.

2015/0051634 A1 2/2015 Kravik et al.
 2015/0342641 A1 12/2015 Belfort et al.
 2016/0045719 A1 2/2016 Ha et al.
 2016/0100861 A1 4/2016 Parys et al.
 2016/0106466 A1 4/2016 Gruber et al.
 2016/0166282 A1 6/2016 Juravic et al.
 2017/0312432 A1* 11/2017 Huang A61M 5/3293
 2018/0360494 A1 12/2018 Melsheimer
 2019/0059947 A1 2/2019 Bunch et al.
 2019/0110797 A1 4/2019 Melsheimer

OTHER PUBLICATIONS

International Search Report and Written Opinion for PCT/US2018/036865, dated Oct. 23, 2018, 18 pages.
 International Preliminary Report on Patentability and Written Opinion for PCT/US2018/036865, dated Dec. 24, 2019, 8 pages.
 Invitation to Pay Additional Fees and Communication Relating to the Results of the Partial International Search for PCT/US2019/051100, dated Dec. 16, 2019, 11 pages.
 U.S. Appl. No. 16/003,323, filed Jun. 8, 2018.
 U.S. Appl. No. 16/046,327, filed Jul. 26, 2018.
 U.S. Appl. No. 16/123,433, filed Sep. 6, 2018.
 U.S. Appl. No. 16/570,034, filed Sep. 13, 2019.

* cited by examiner

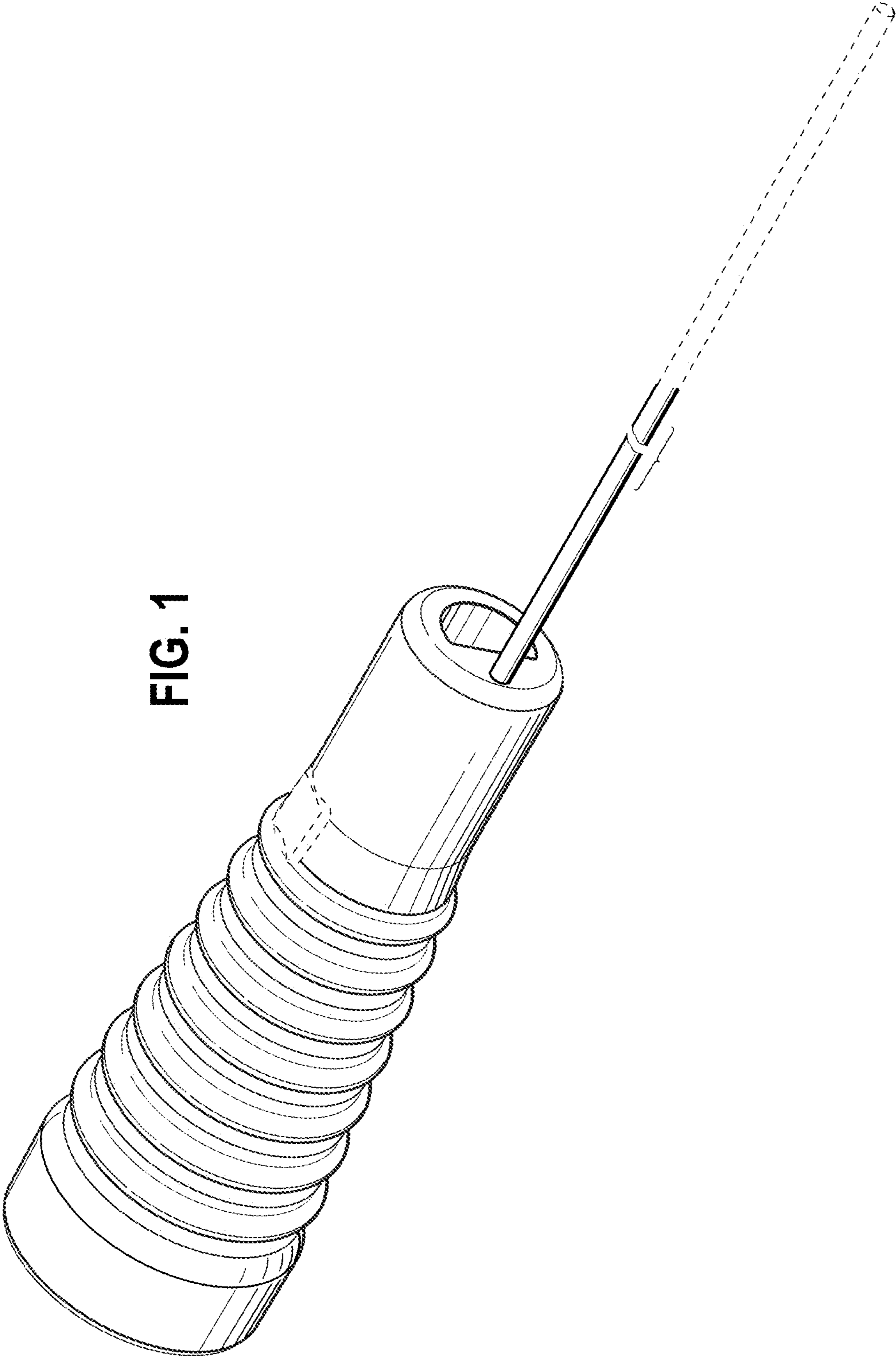


FIG. 1

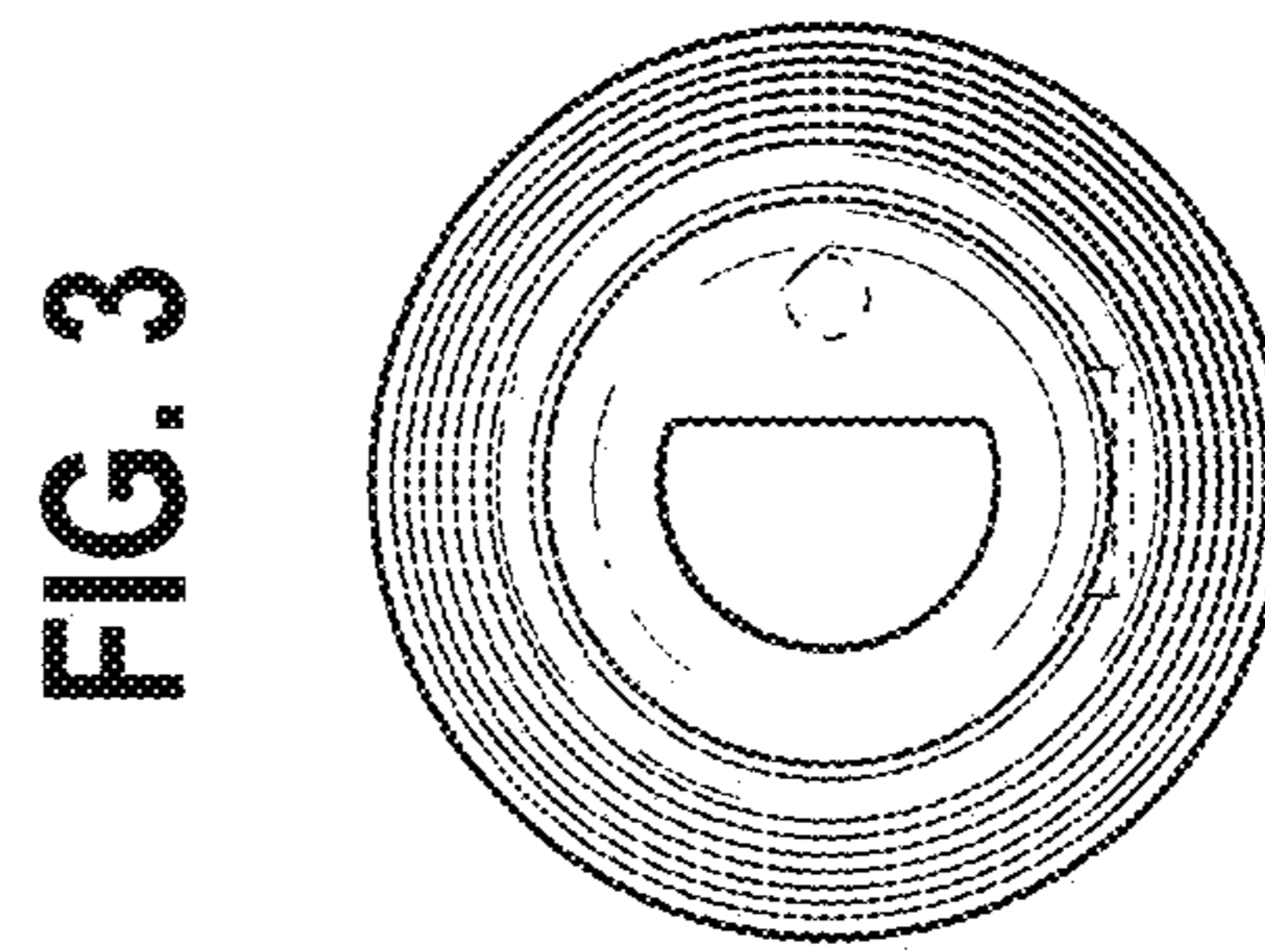
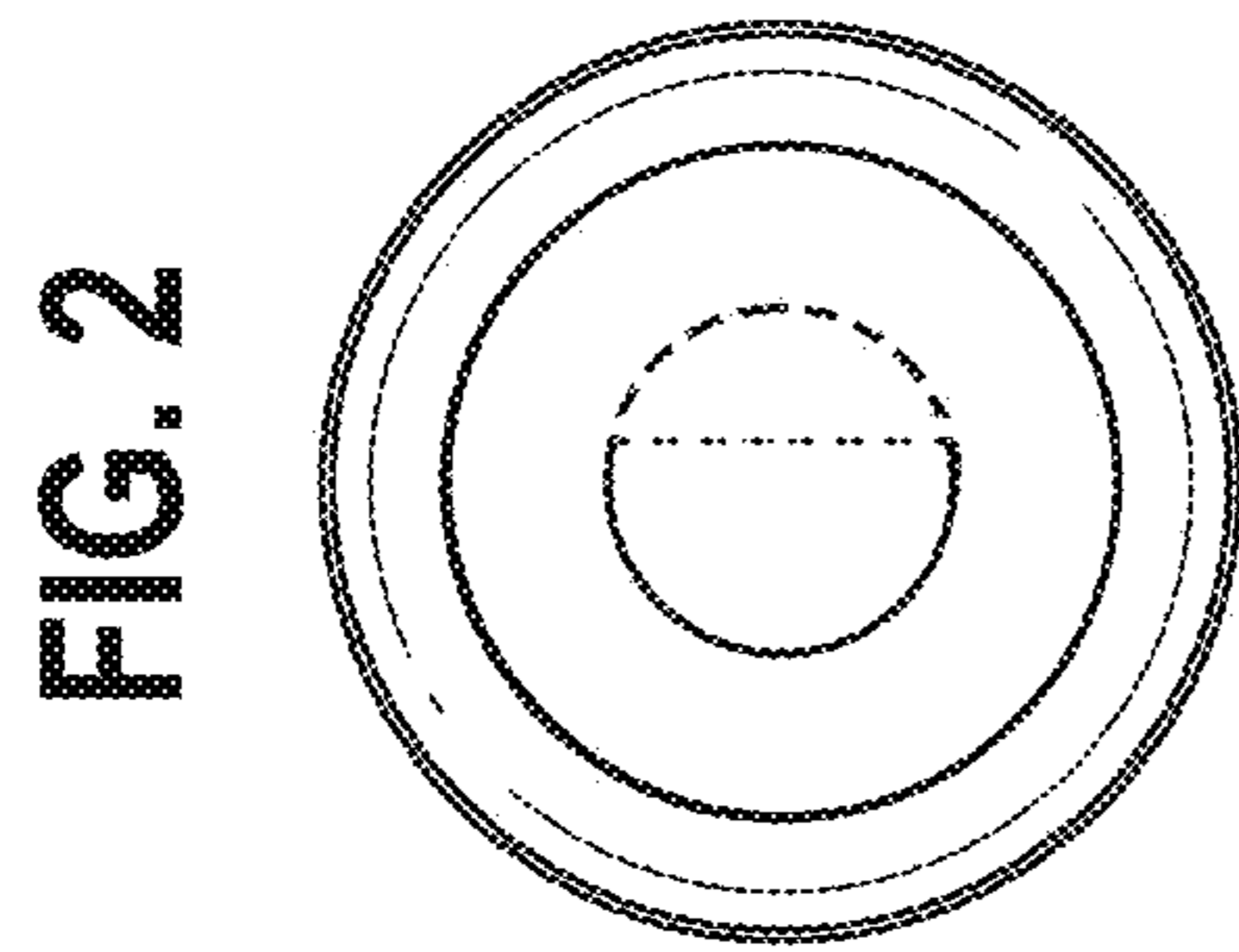


FIG. 4

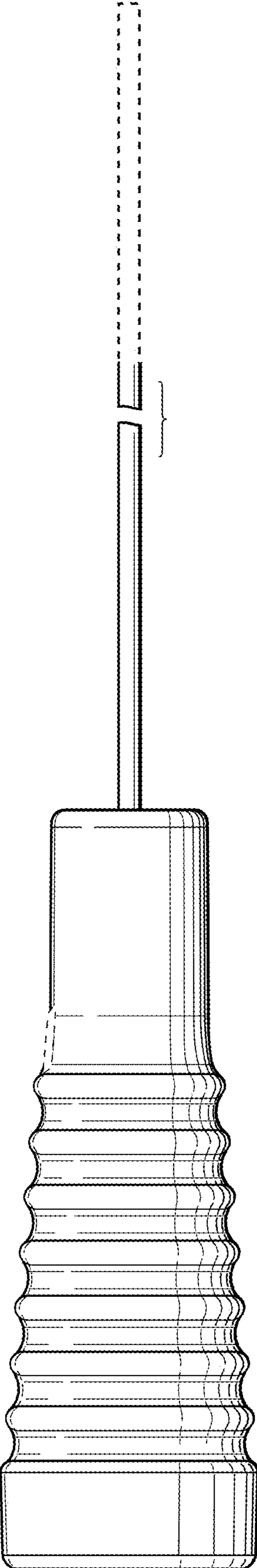


FIG. 5

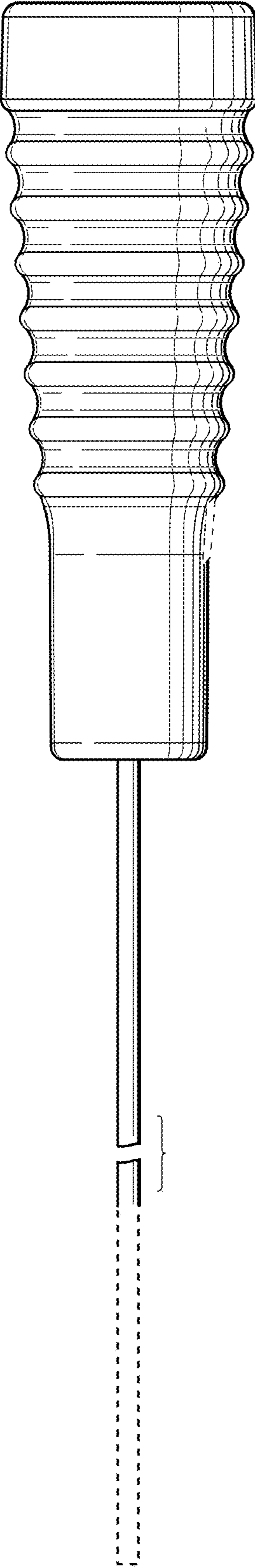


FIG. 6

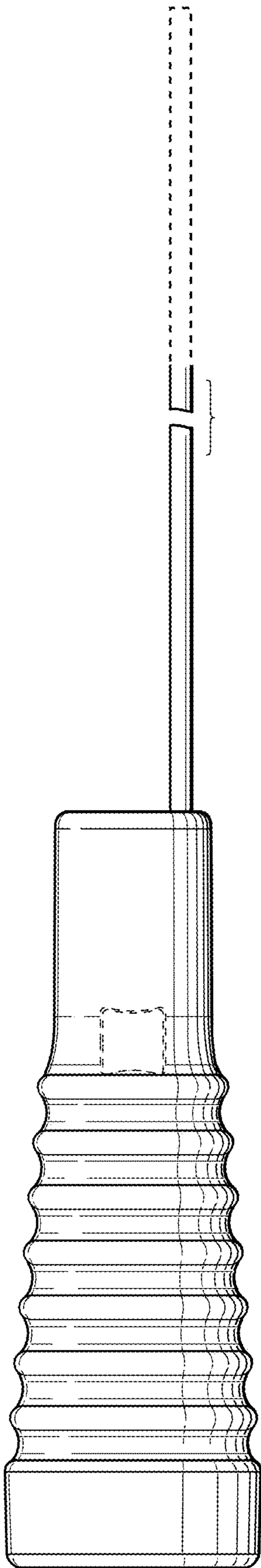


FIG. 7

