



US00D894379S

(12) **United States Design Patent**
Baumann et al.

(10) **Patent No.:** **US D894,379 S**

(45) **Date of Patent:** **** Aug. 25, 2020**

(54) **INSUFFLATION CIRCUIT AND FILTER**

(71) Applicant: **Fisher & Paykel Healthcare Limited,**
Auckland (NZ)

(72) Inventors: **Monika Baumann,** Auckland (NZ);
Richard John Boyes, Auckland (NZ);
Jessica Kristen Sloane, Auckland
(NZ); **Christian Francis Fischer,**
Auckland (NZ); **Ali Ghalib Abdul**
Rahman Ghalib, Auckland (NZ);
Bernard Tsz Lun Ip, Auckland (NZ)

(73) Assignee: **Fisher & Paykel Healthcare Limited,**
Auckland (NZ)

(**) Term: **15 Years**

(21) Appl. No.: **29/648,722**

(22) Filed: **May 23, 2018**

(51) **LOC (12) Cl.** **24-02**

(52) **U.S. Cl.**
USPC **D24/129**

(58) **Field of Classification Search**
USPC D24/127-131, 112-114, 133, 186;
606/181, 185; 604/264, 523-528, 272,
604/187, 158, 164.01-164.11, 181, 184,
604/227; 600/101, 139, 143;
128/200.24, 207.14, 207.15
CPC .. A61M 25/065; A61M 5/42; A61M 25/0612;
A61M 25/00; A61M 39/00; A61M 27/00;
A61M 25/0043; A61M 25/0067; A61F
2/958

See application file for complete search history.

(56) **References Cited**

U.S. PATENT DOCUMENTS

4,385,629 A * 5/1983 Wolf, Jr. A61M 16/0463
128/207.14
5,564,415 A * 10/1996 Dobson A61M 16/16
128/200.24

5,687,715 A * 11/1997 Landis A61M 16/0666
128/204.18
5,823,185 A * 10/1998 Chang A61H 31/007
128/204.18
5,924,421 A * 7/1999 Rosbrook A61M 25/02
128/207.14
6,494,208 B1 * 12/2002 Morejon A61M 1/0078
128/207.15
6,651,654 B2 * 11/2003 Rogacki A61M 15/00
128/203.12
7,527,058 B2 * 5/2009 Wright A61M 16/0463
128/200.28

(Continued)

OTHER PUBLICATIONS

U.S. Appl. No. 29/648,752, filed May 23, 2018, Boyes et al.

Primary Examiner — David G Muller

(74) *Attorney, Agent, or Firm* — Knobbe, Martens Olson
& Bear LLP

(57) **CLAIM**

The ornamental design for an insufflation circuit and filter,
as shown and described.

DESCRIPTION

FIG. 1 is a top, front and right side perspective view of an
insufflation circuit and filter embodying our new design.

FIG. 2 is a bottom, rear and left side perspective view
thereof.

FIG. 3 is a front view thereof.

FIG. 4 is a rear view thereof.

FIG. 5 is a top view thereof.

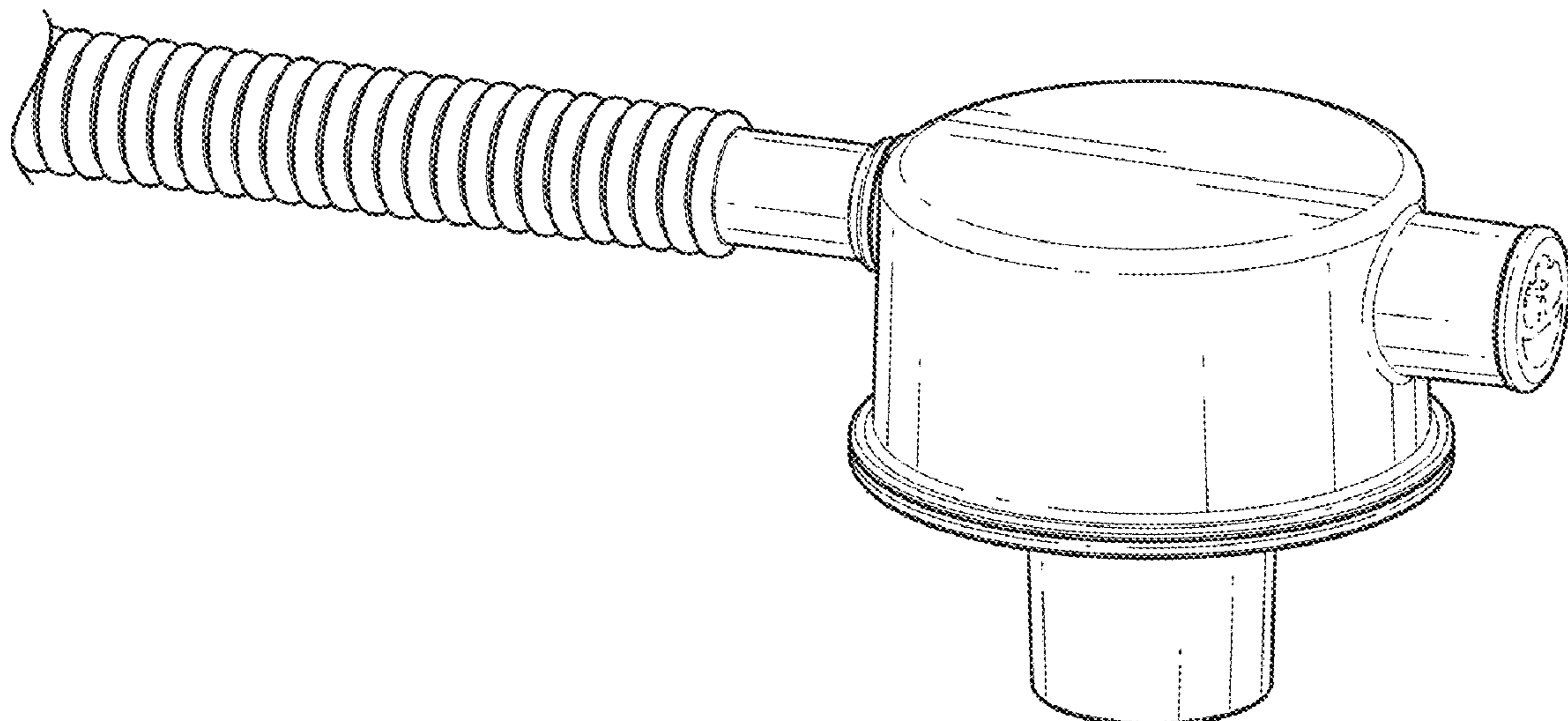
FIG. 6 is a bottom view thereof.

FIG. 7 is a right side view thereof; and,

FIG. 8 is a left side view thereof.

Where utilized, broken lines are used to illustrate features of
the insufflation circuit and filter that form no part of the
claimed design.

1 Claim, 3 Drawing Sheets



(56)

References Cited

U.S. PATENT DOCUMENTS

7,600,511	B2 *	10/2009	Power	A61M 15/0085 128/200.24
7,874,291	B2 *	1/2011	Ging	A61M 16/06 128/206.24
9,010,321	B2	4/2015	Stenzler et al.	
9,474,512	B2	10/2016	Blackhurst et al.	
2005/0039746	A1 *	2/2005	Grychowski	A61M 15/0018 128/204.18
2005/0076913	A1 *	4/2005	Ho	A61M 16/0825 128/206.27
2005/0217666	A1 *	10/2005	Fink	A61P 11/00 128/200.14
2015/0128944	A1	5/2015	Buechi	

* cited by examiner

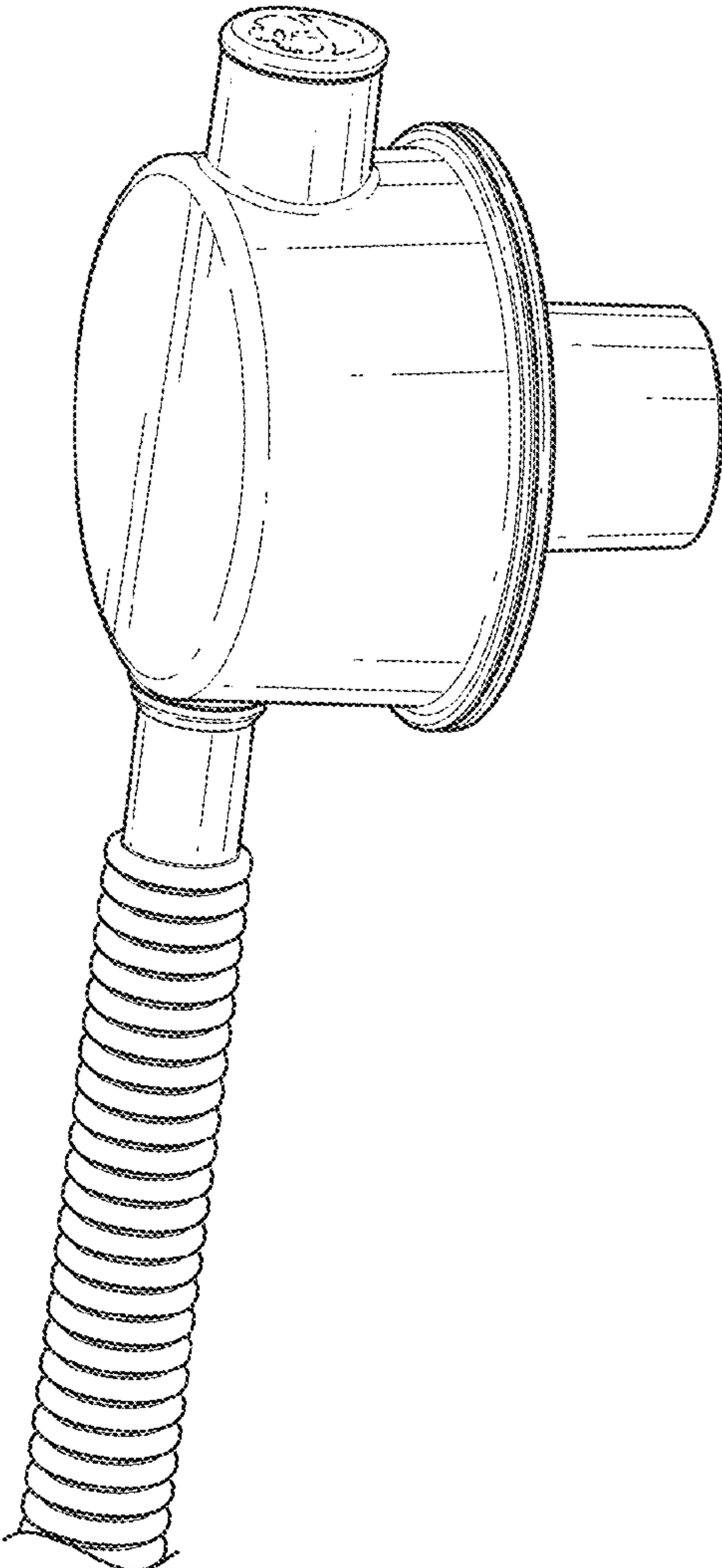


FIG. 1

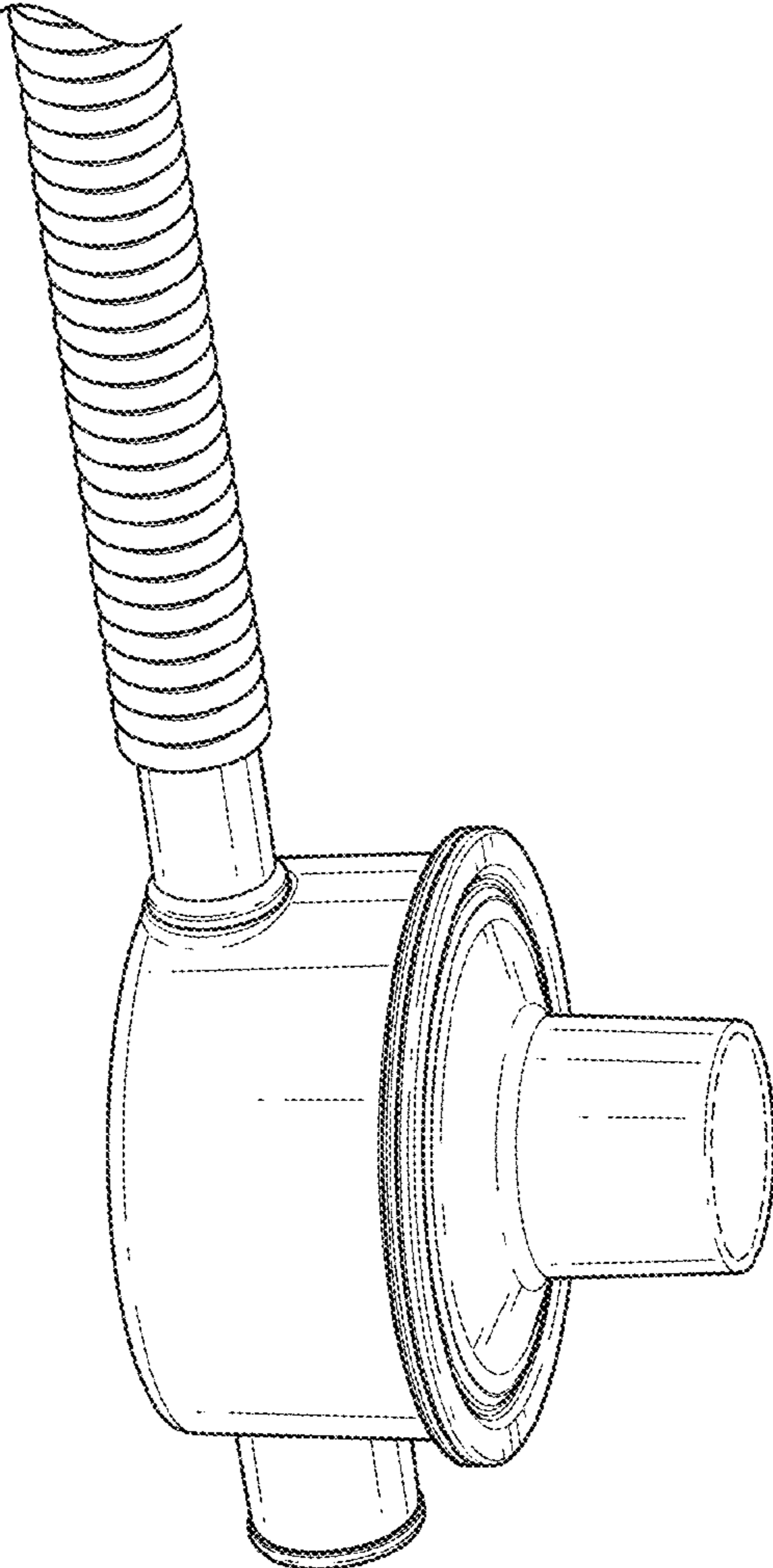


FIG. 2

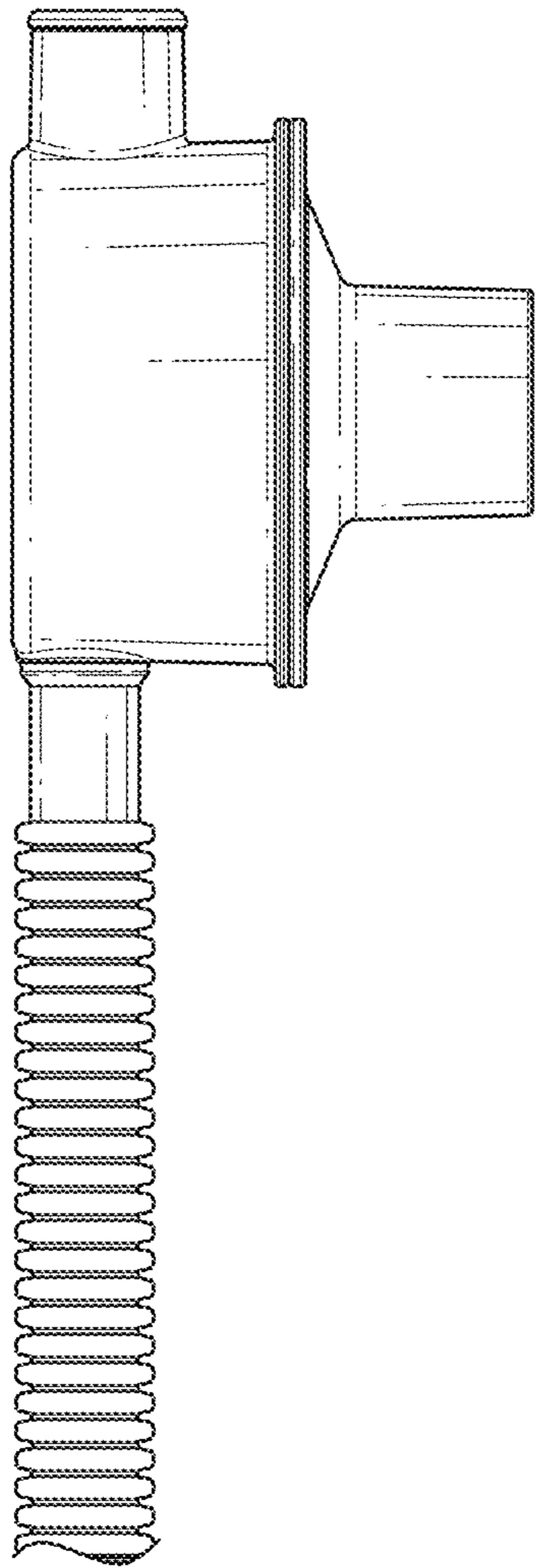


FIG. 3

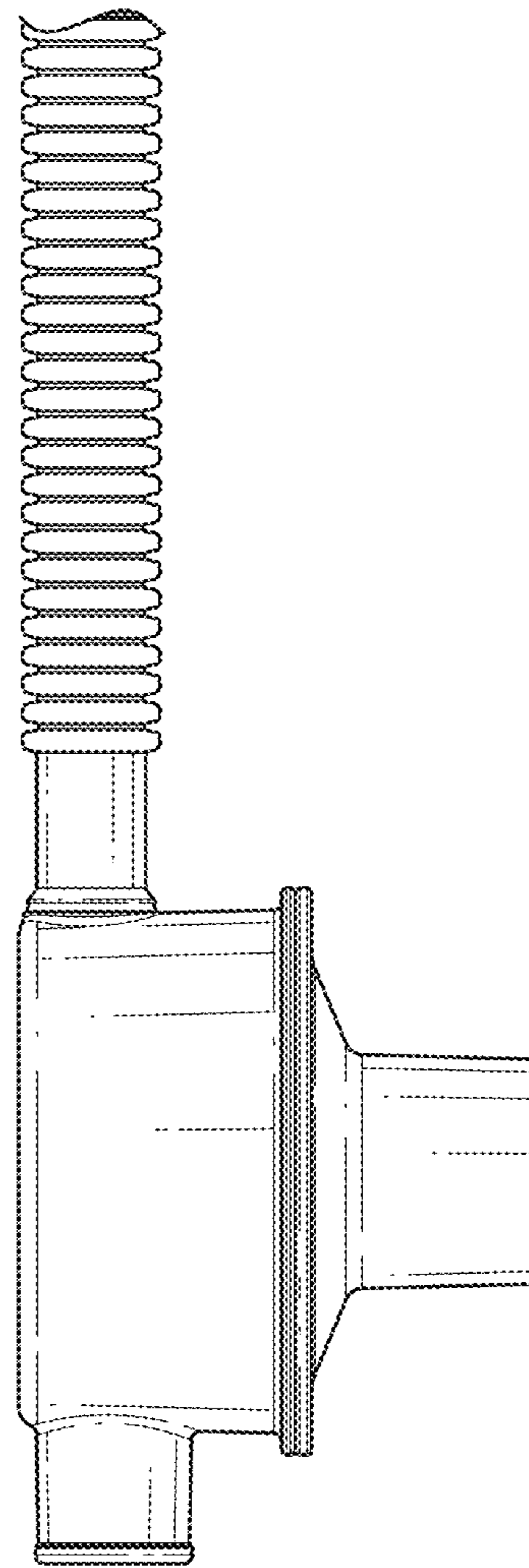


FIG. 4

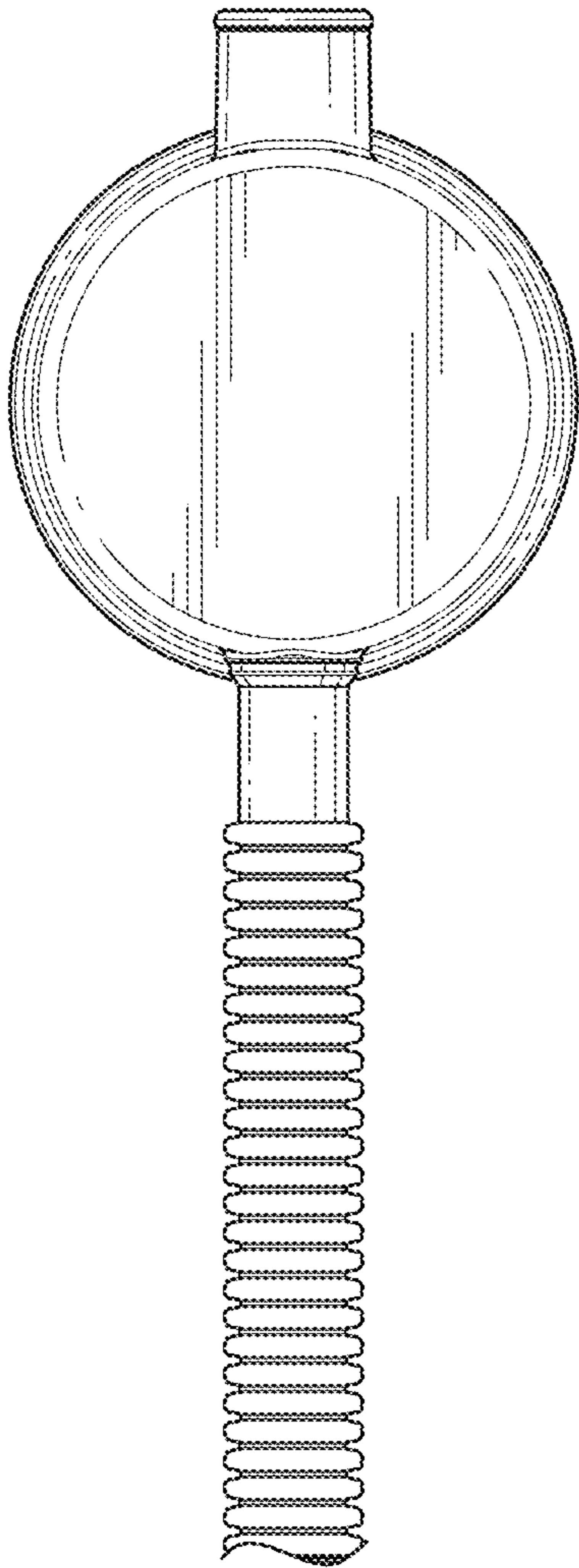


FIG. 5

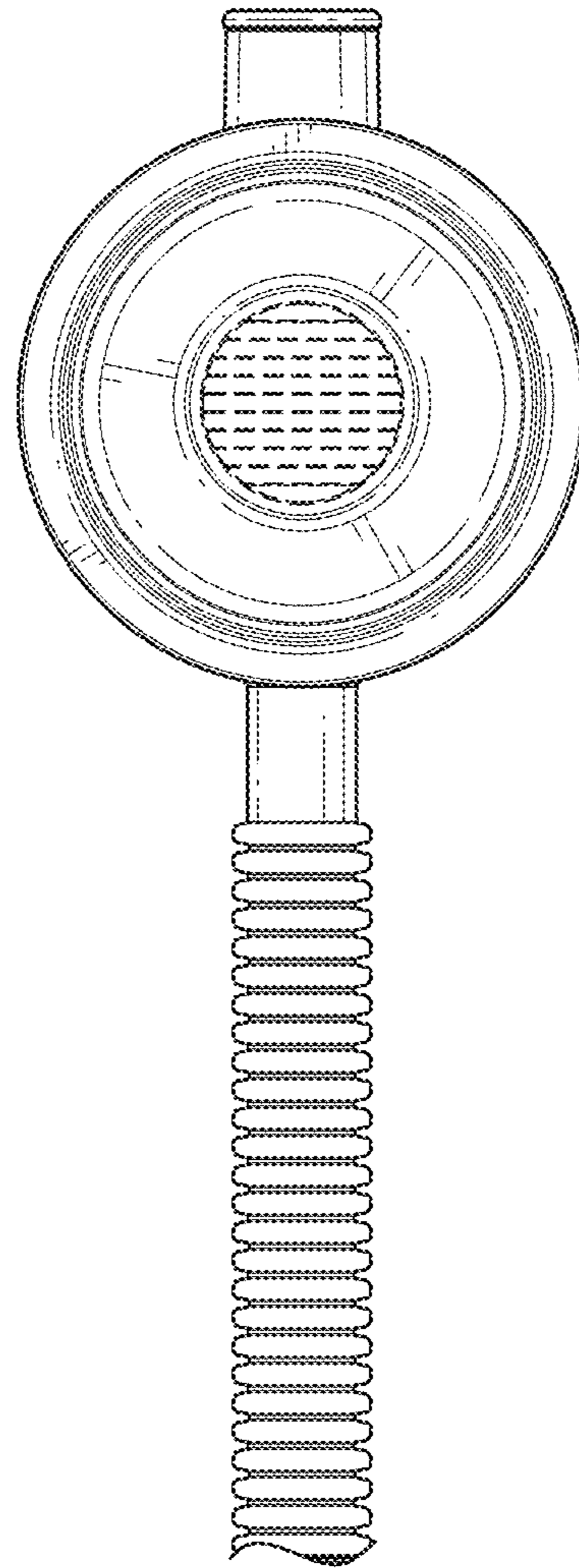


FIG. 6

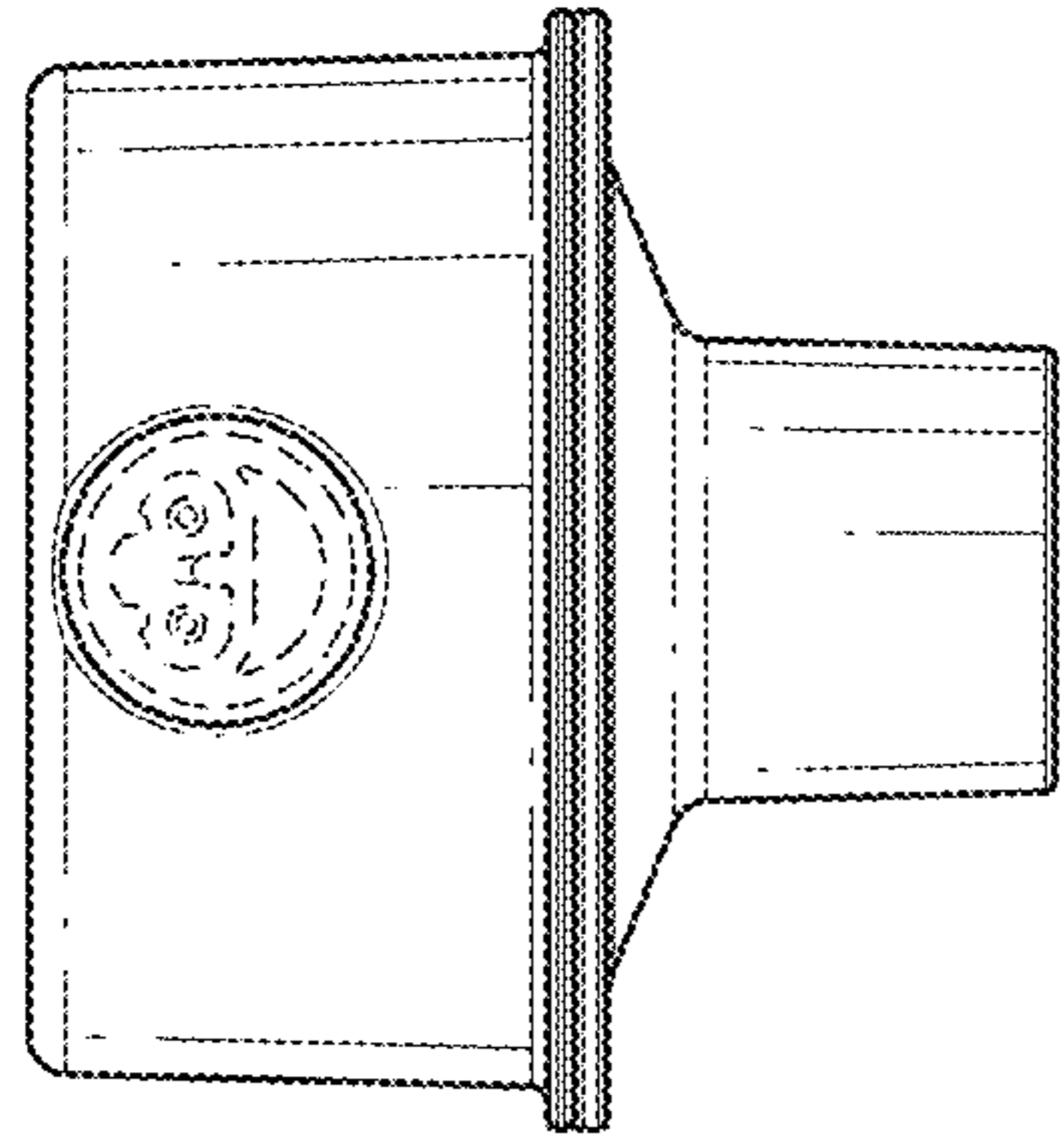


FIG. 7

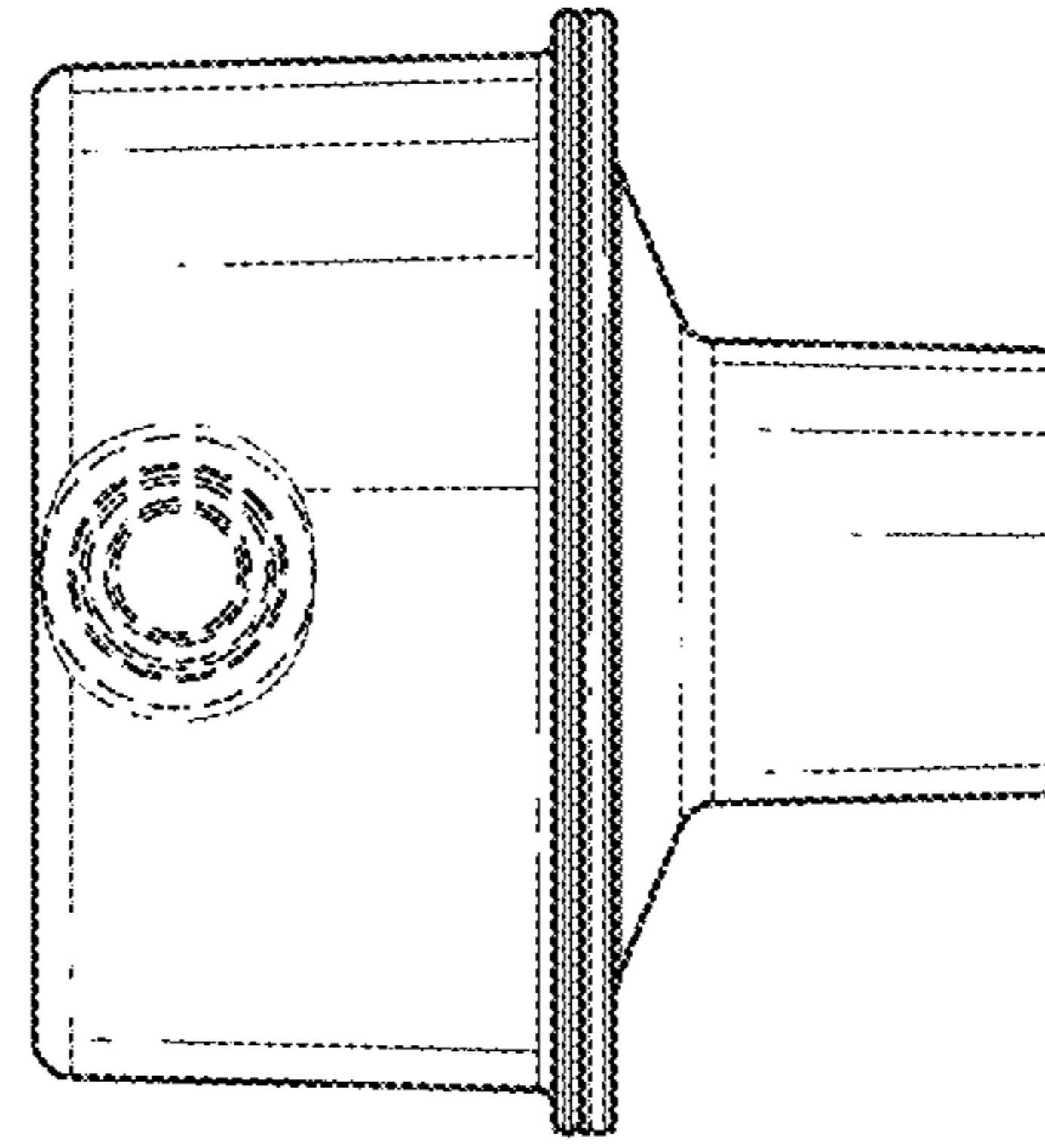


FIG. 8