



US00D894377S

(12) **United States Design Patent** (10) **Patent No.:** **US D894,377 S**
Kjar et al. (45) **Date of Patent:** **** Aug. 25, 2020**

(54) **TUBE MANAGEMENT ASSEMBLY**
(71) Applicant: **LIFE TECHNOLOGIES CORPORATION**, Carlsbad, CA (US)
(72) Inventors: **Steven Kjar**, Logan, UT (US); **Paul Thacker**, Lewiston, UT (US)
(73) Assignee: **Life Technologies Corporation**, Carlsbad, CA (US)

(**) Term: **15 Years**
(21) Appl. No.: **29/675,525**

(22) Filed: **Jan. 3, 2019**
(51) **LOC (12) Cl.** **24-01**
(52) **U.S. Cl.**
USPC **D24/128**
(58) **Field of Classification Search**
USPC D24/127-131, 112-114, 133, 186;
606/181, 185; 604/264, 523-528, 272,
604/187, 158, 164.01-164.11, 181, 184,
604/227; 600/101, 139, 143;
128/200.24, 207.14, 207.15
CPC C12M 27/02; C12M 41/48; C12M 23/50;
B01F 15/00772; B01F 15/0085; B01F
7/18

See application file for complete search history.

(56) **References Cited**

U.S. PATENT DOCUMENTS

D273,709 S * 5/1984 Schneider D24/118
D336,034 S * 6/1993 Rebilas D24/118
5,454,797 A * 10/1995 Haswell A61G 13/102
206/564
5,896,989 A * 4/1999 Ropiak A61J 1/10
206/438
D439,328 S * 3/2001 Nielsen D24/118
D662,212 S * 6/2012 Quisenberry D24/206
D679,023 S * 3/2013 Quisenberry D24/207

D824,042 S * 7/2018 Scott D24/224
D830,544 S * 10/2018 Kisner D24/121
D857,188 S * 8/2019 Moran D24/108
D870,315 S * 12/2019 Wahlqvist D24/224
D870,989 S * 12/2019 Penland D30/199
2017/0183617 A1 6/2017 Jones et al.
2019/0218494 A1* 7/2019 Jones B01F 3/04531

FOREIGN PATENT DOCUMENTS

EP 2 123 745 A2 11/2009
EP 3 081 286 A1 10/2016
WO 2010/089151 A1 8/2010
WO 2012/097079 A2 7/2012
WO 2015/039034 A1 3/2015

(Continued)

OTHER PUBLICATIONS

International Search Report and Written Opinion for Application No. PCT/US2019/012120, dated Apr. 16, 2019, 11 pages.

(Continued)

Primary Examiner — Nathan M Johnston
(74) *Attorney, Agent, or Firm* — Workman Nydegger

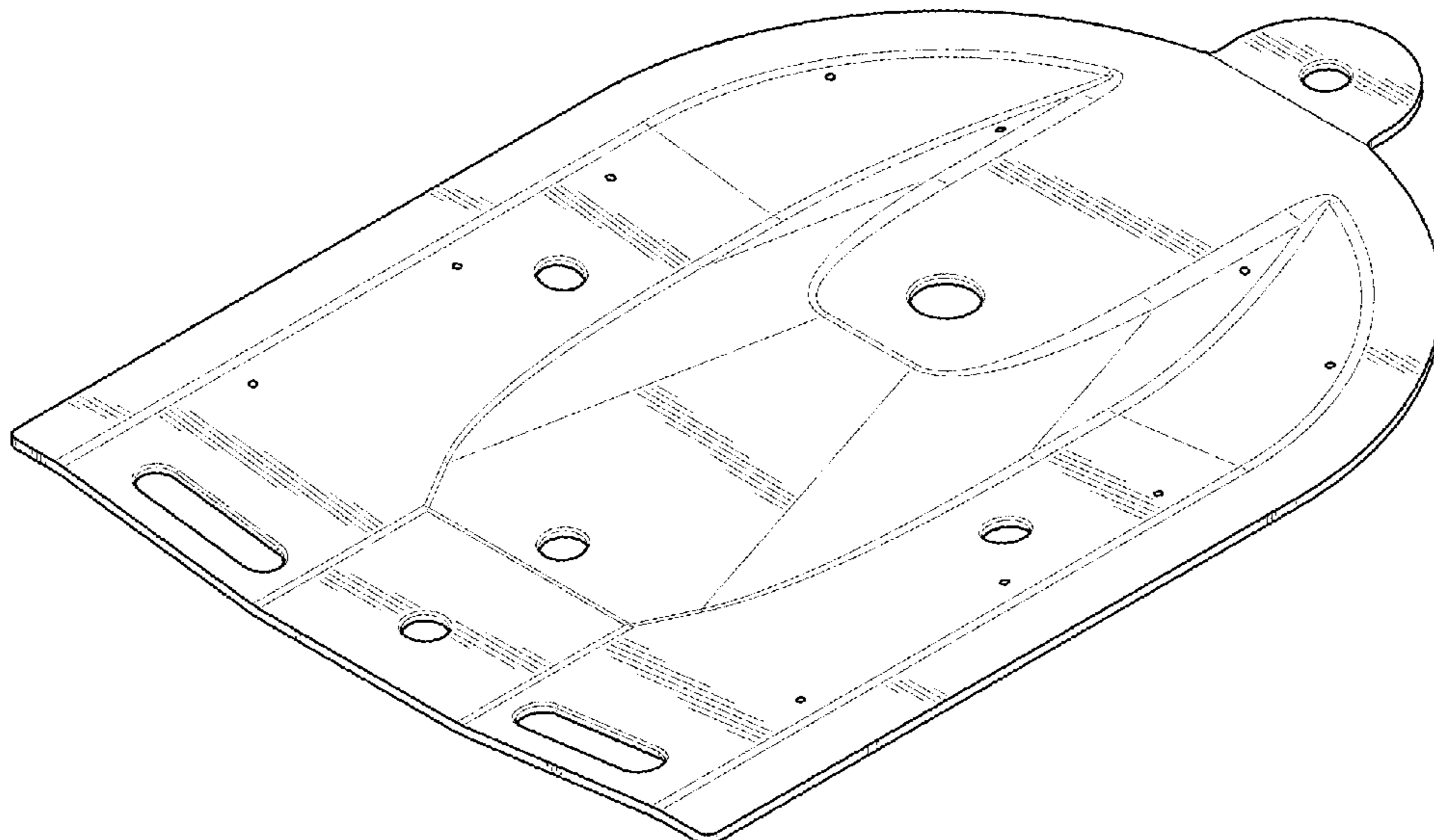
(57) **CLAIM**

The ornamental design for a tube management assembly, as shown and described.

DESCRIPTION

FIG. 1 is a front-perspective view of a tube management assembly for our new design.
FIG. 2 is a rear-perspective view thereof.
FIG. 3 is a front elevation view thereof.
FIG. 4 is a rear elevation view thereof.
FIG. 5 is a right-side elevation view thereof.
FIG. 6 is a left-side elevation view thereof.
FIG. 7 is a top plan view thereof; and,
FIG. 8 is a bottom plan view thereof.

1 Claim, 6 Drawing Sheets



(56)

References Cited

FOREIGN PATENT DOCUMENTS

WO 2017/023638 A1 2/2017
WO 2017/064058 A1 4/2017

OTHER PUBLICATIONS

International Search Report and Written Opinion for Application
No. PCT/US2019/012124, dated Jun. 17, 2019, 17 pages.

International Search Report and Written Opinion for Application
No. PCT/US2019/012126, dated Jun. 17, 2019, 17 pages.

Partial International Search Report for Application No. PCT/US2019/
012126 dated Apr. 23, 2019, 12 pages.

* cited by examiner

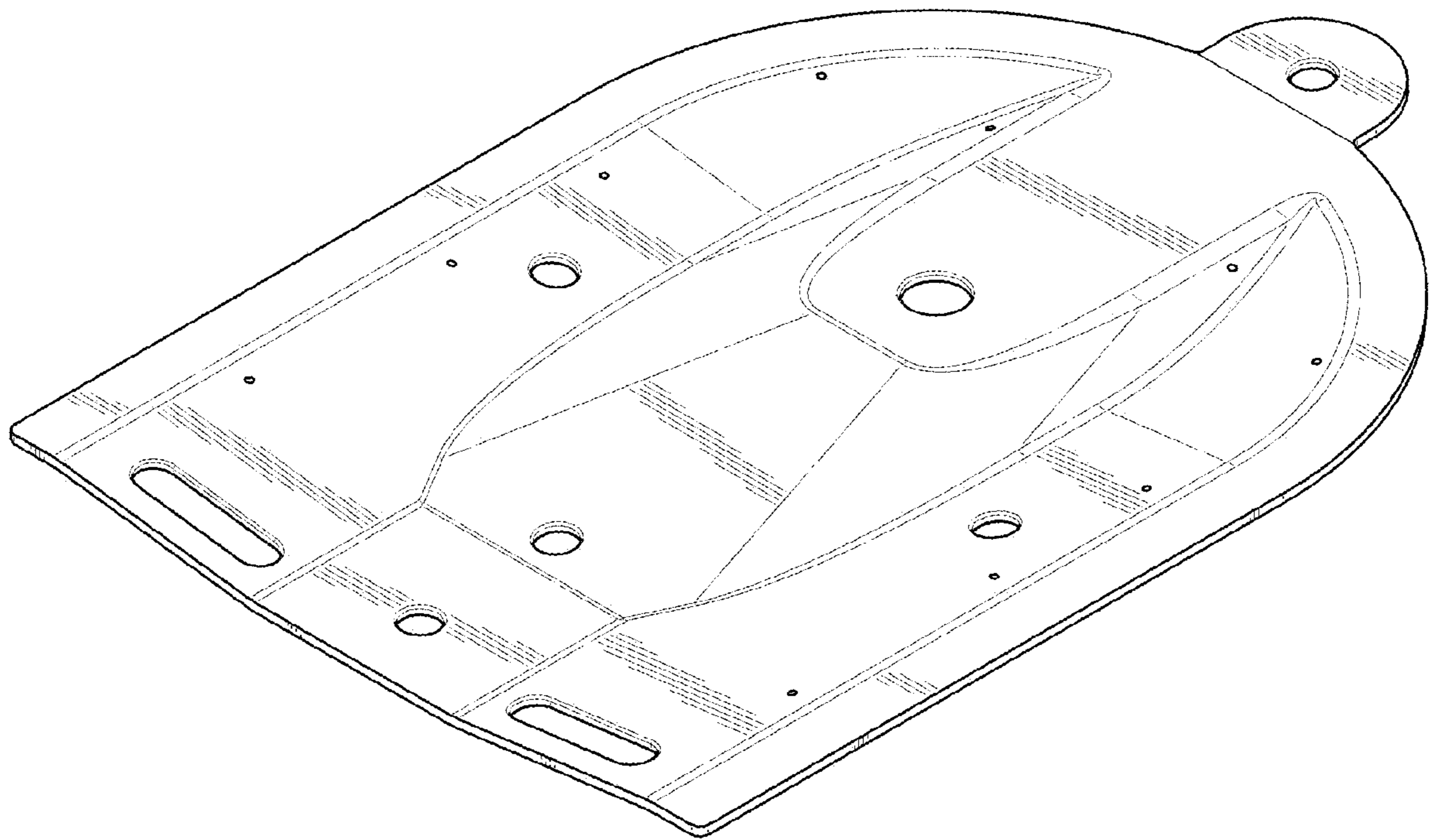


FIG. 1

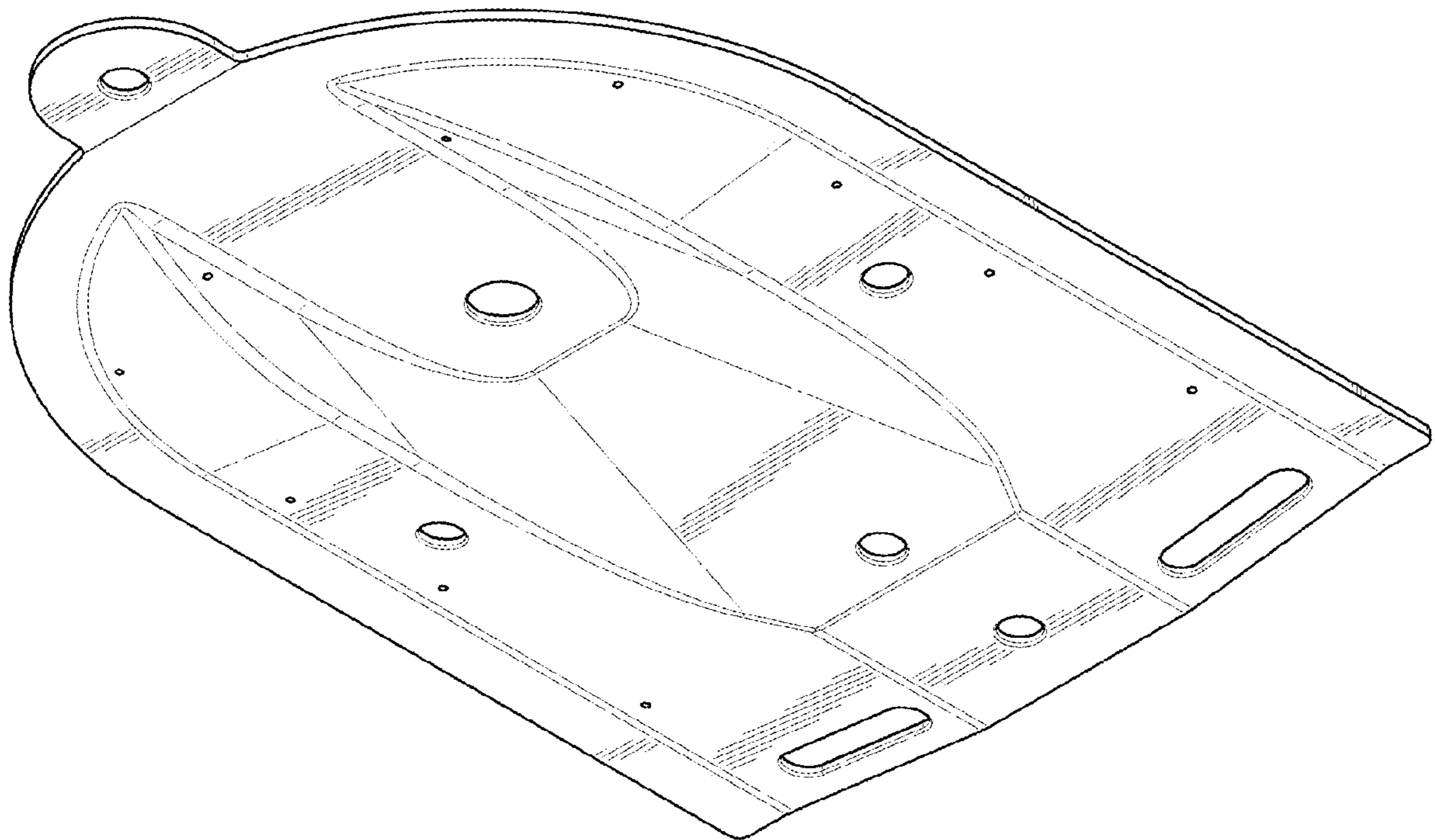


FIG. 2

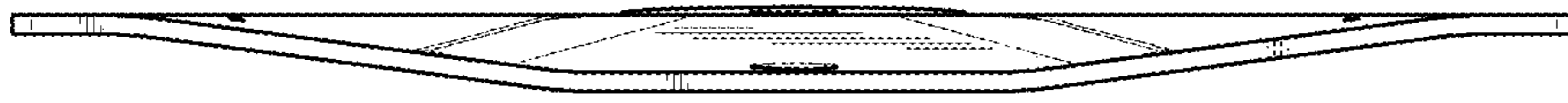


FIG. 3

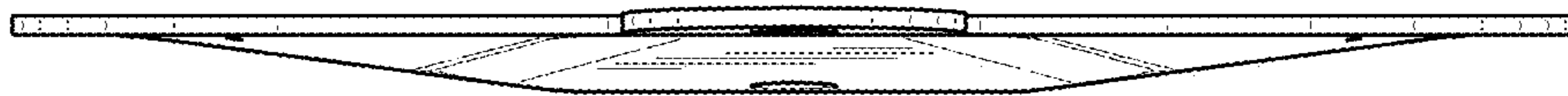


FIG. 4

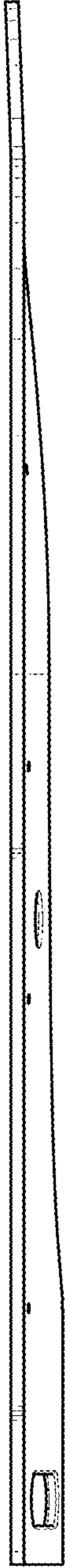


FIG. 5

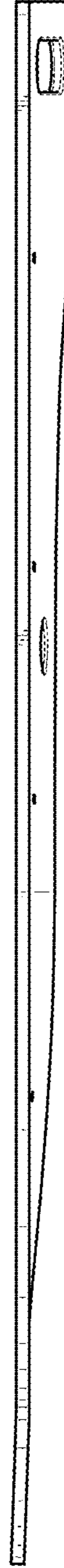


FIG. 6

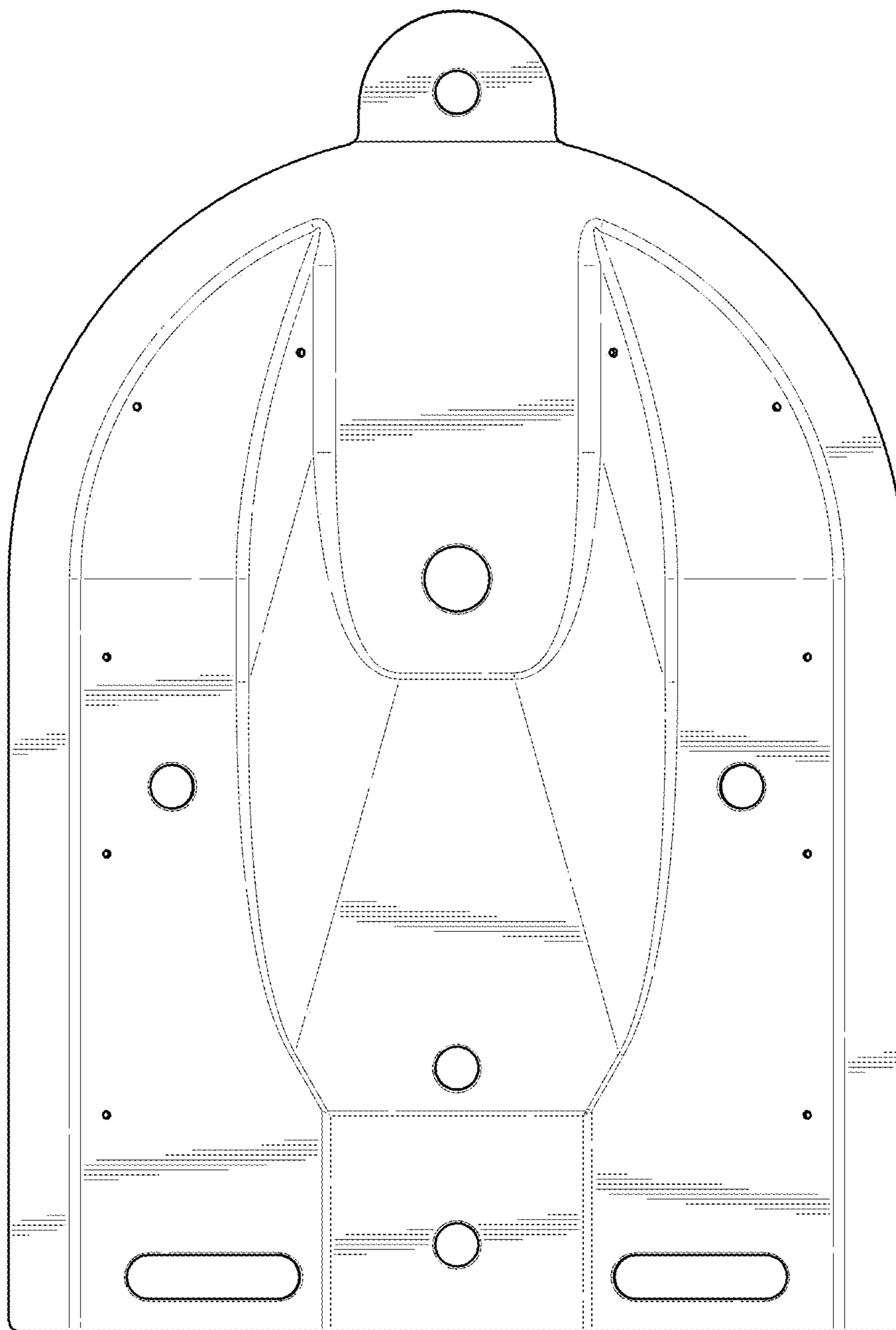


FIG. 7

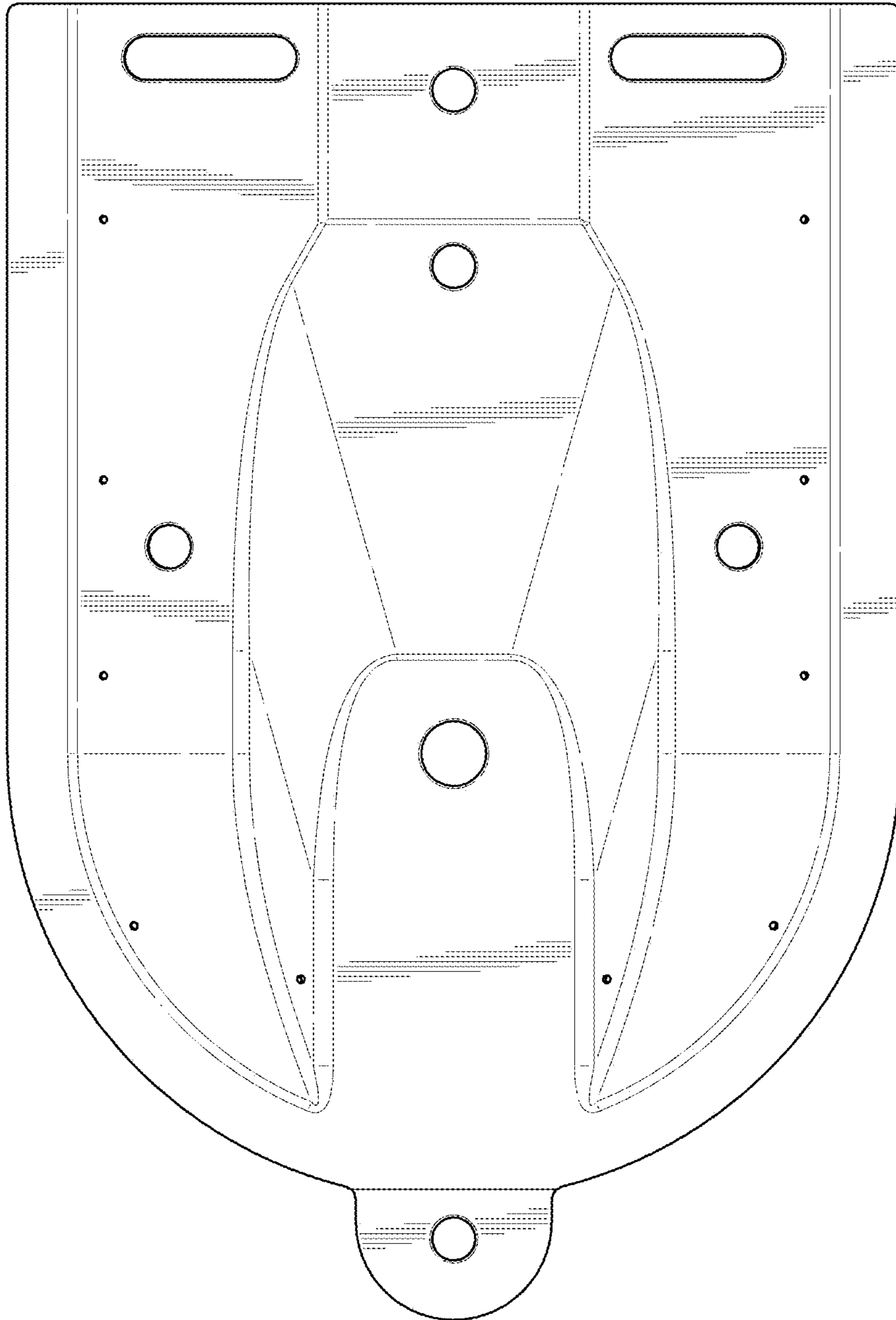


FIG. 8