



US00D894376S

(12) **United States Design Patent**  
**Boyes et al.**

(10) **Patent No.:** **US D894,376 S**

(45) **Date of Patent:** **\*\* Aug. 25, 2020**

- (54) **INSUFFLATION CIRCUIT ASSEMBLY**
- (71) Applicant: **Fisher & Paykel Healthcare Limited**,  
Auckland (NZ)
- (72) Inventors: **Richard John Boyes**, Auckland (NZ);  
**Jessica Kristen Sloane**, Auckland  
(NZ); **Christian Francis Fischer**,  
Auckland (NZ); **Ali Ghalib Abdul**  
**Rahm Ghalib**, Auckland (NZ);  
**Bernard Tsz Lun Ip**, Auckland (NZ);  
**Charlotte Grace Laus**, Auckland (NZ);  
**Vincent Verdoold**, Auckland (NZ)

- 5,687,715 A \* 11/1997 Landis ..... A61M 16/0666  
128/204.18
- 5,823,185 A \* 10/1998 Chang ..... A61H 31/007  
128/204.18
- 5,924,421 A \* 7/1999 Rosbrook ..... A61M 25/02  
128/207.14
- 6,494,208 B1 \* 12/2002 Morejon ..... A61M 1/0078  
128/207.15
- 6,651,654 B2 \* 11/2003 Rogacki ..... A61M 15/00  
128/203.12

(Continued)

- (73) Assignee: **Fisher & Paykel Healthcare Limited**,  
Auckland (NZ)

U.S. Appl. No. 29/648,722, filed May 23, 2018, Baumann et al.

(\*\*) Term: **15 Years**

*Primary Examiner* — David G Muller

(21) Appl. No.: **29/648,752**

(74) *Attorney, Agent, or Firm* — Knobbe, Martens, Olson  
& Bear LLP

(22) Filed: **May 23, 2018**

(51) **LOC (12) Cl.** ..... **24-02**

(52) **U.S. Cl.**  
USPC ..... **D24/127**

(58) **Field of Classification Search**  
USPC ..... D24/127–131, 112–114, 133, 186;  
606/181, 185; 604/264, 523–528, 272,  
604/187, 158, 164.01–164.11, 181, 184,  
604/227; 600/101, 139, 143;  
128/200.24, 207.14, 207.15  
CPC .. A61M 25/065; A61M 5/42; A61M 25/0612;  
A61M 25/00; A61M 39/00; A61M 27/00;  
A61M 25/0043; A61M 25/0067; A61M  
25/0097; A61F 2/958

See application file for complete search history.

(56) **References Cited**

**U.S. PATENT DOCUMENTS**

- 4,385,629 A \* 5/1983 Wolf, Jr. .... A61M 16/0463  
128/207.14
- 5,564,415 A \* 10/1996 Dobson ..... A61M 16/16  
128/200.24

**OTHER PUBLICATIONS**

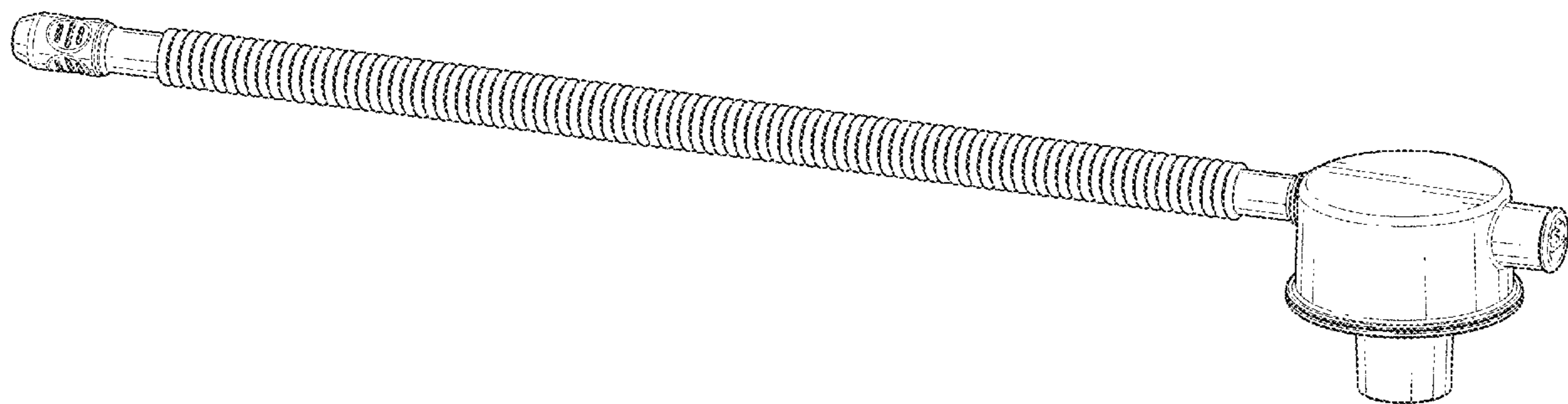
(57) **CLAIM**

The ornamental design for an insufflation circuit assembly,  
as shown and described.

**DESCRIPTION**

FIG. 1 is a top, front and right side perspective view of an insufflation circuit assembly embodying our new design.  
FIG. 2 is a bottom, rear and left side perspective view thereof.  
FIG. 3 is a front view thereof.  
FIG. 4 is a rear view thereof.  
FIG. 5 is a top view thereof.  
FIG. 6 is a bottom view thereof.  
FIG. 7 is a right side view thereof; and,  
FIG. 8 is a left side view thereof.  
Where utilized, broken lines are used to illustrate features of the insufflation circuit assembly that form no part of the claimed design.

**1 Claim, 4 Drawing Sheets**



(56)

**References Cited**

U.S. PATENT DOCUMENTS

7,527,058	B2 *	5/2009	Wright .....	A61M 16/0463 128/200.28
7,600,511	B2 *	10/2009	Power .....	A61M 15/0085 128/200.24
7,874,291	B2 *	1/2011	Ging .....	A61M 16/06 128/206.24
9,010,321	B2	4/2015	Stenzler et al.	
9,474,512	B2	10/2016	Blackhurst et al.	
2005/0039746	A1 *	2/2005	Grychowski .....	A61M 15/0018 128/204.18
2005/0076913	A1 *	4/2005	Ho .....	A61M 16/0825 128/206.27
2005/0217666	A1 *	10/2005	Fink .....	A61P 11/00 128/200.14
2015/0128944	A1	5/2015	Buechi	

\* cited by examiner

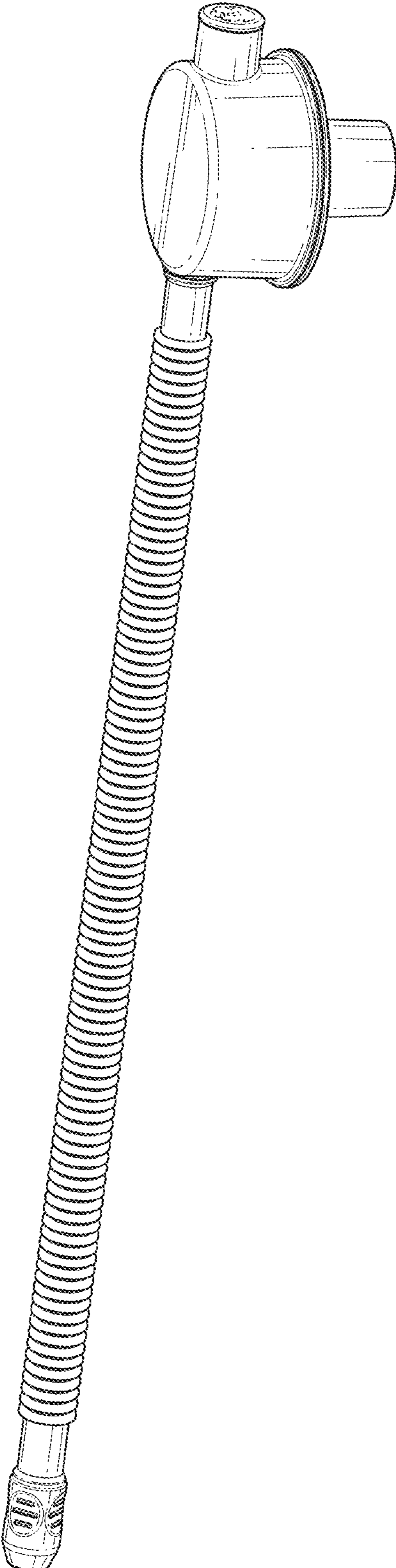


FIG. 1

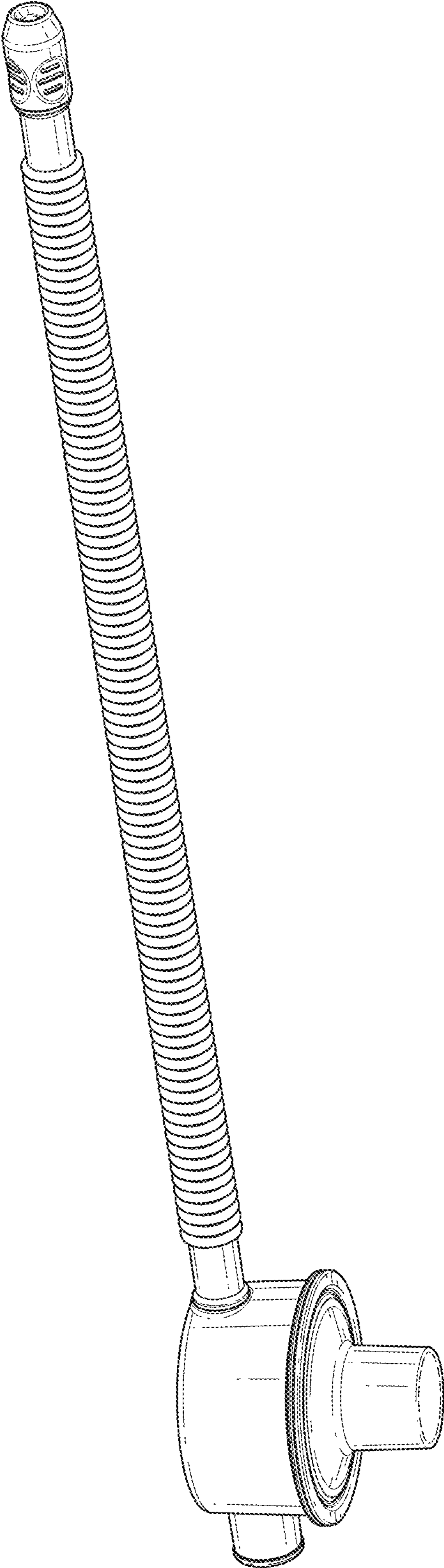


FIG. 2

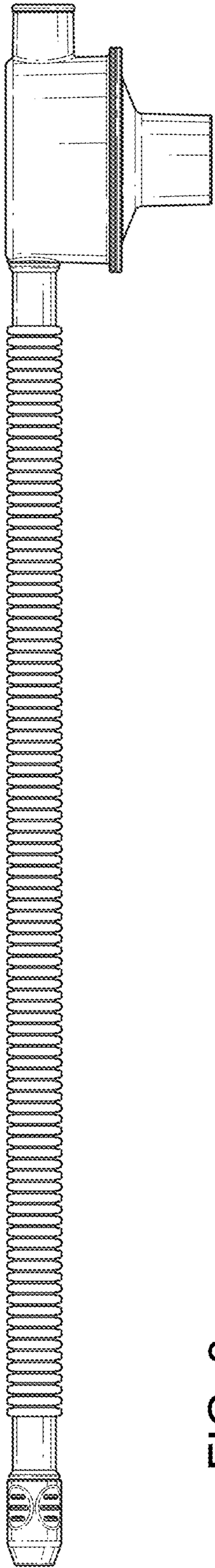


FIG. 3

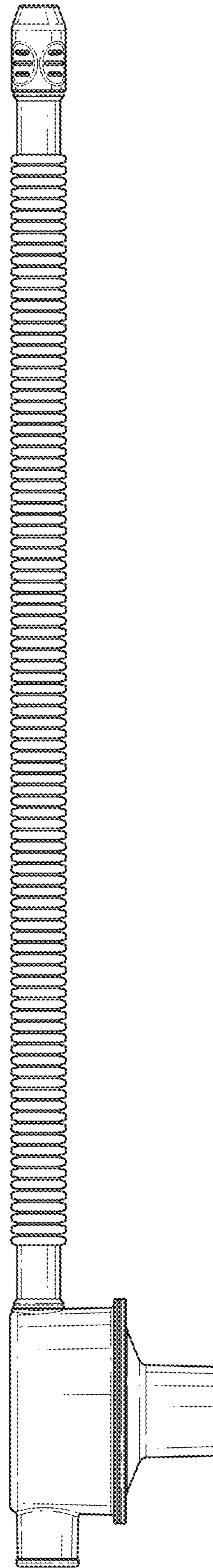


FIG. 4

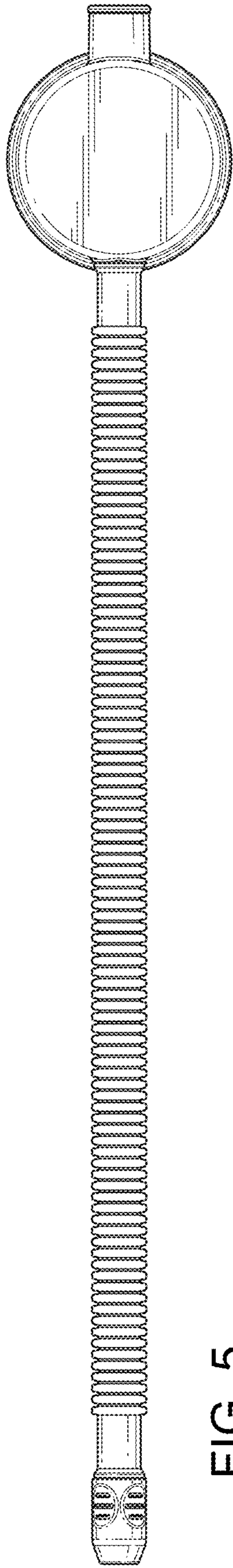


FIG. 5

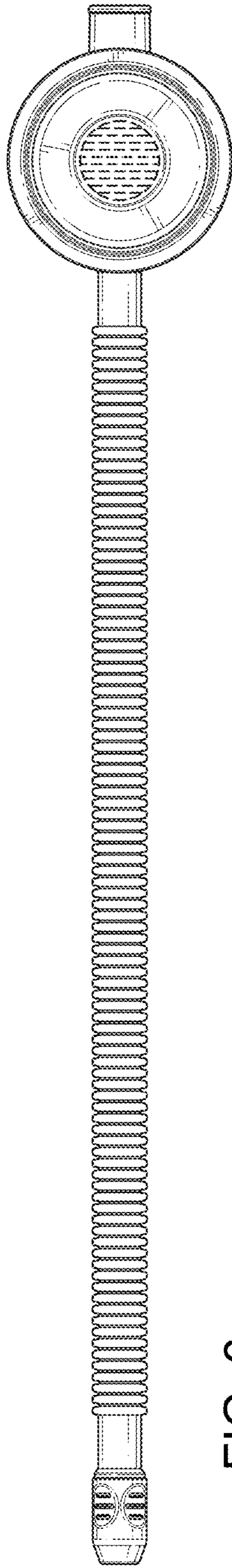


FIG. 6

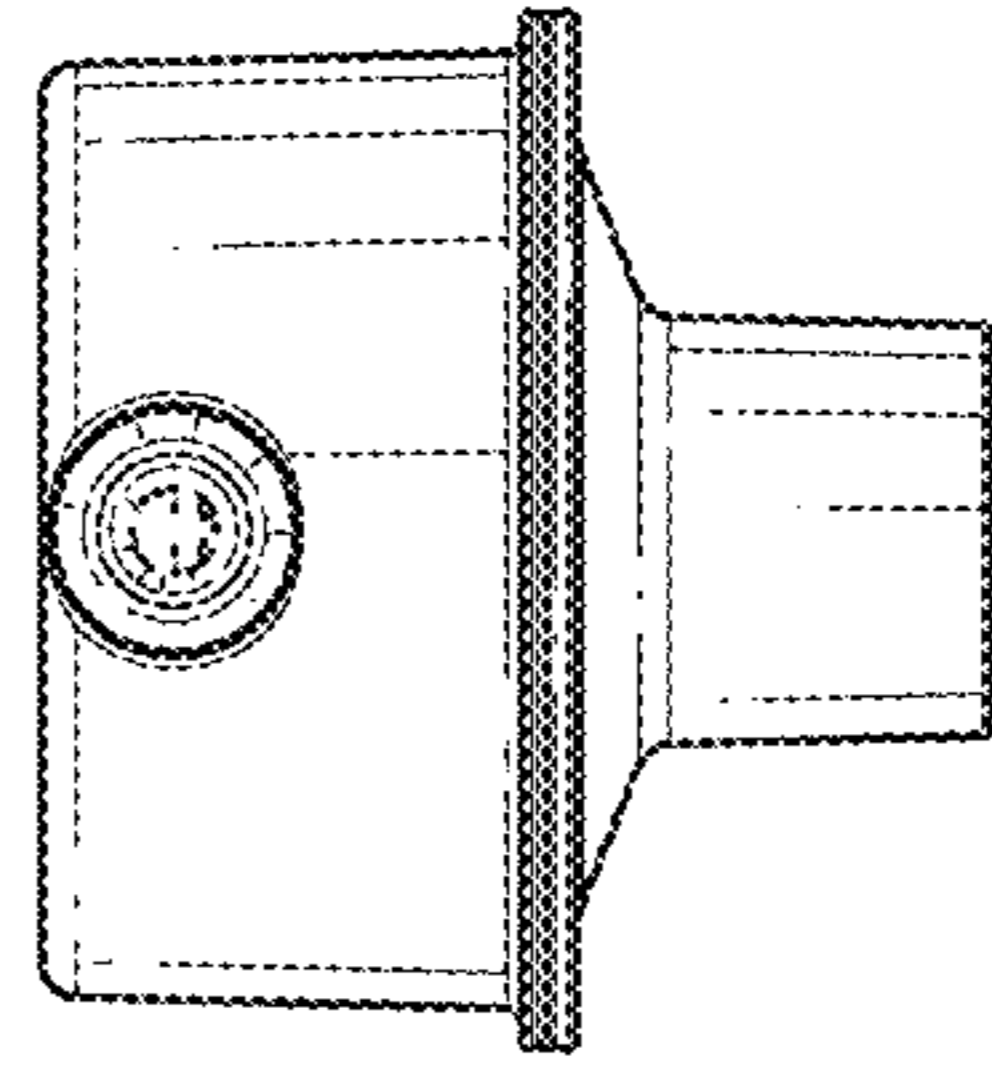


FIG. 8

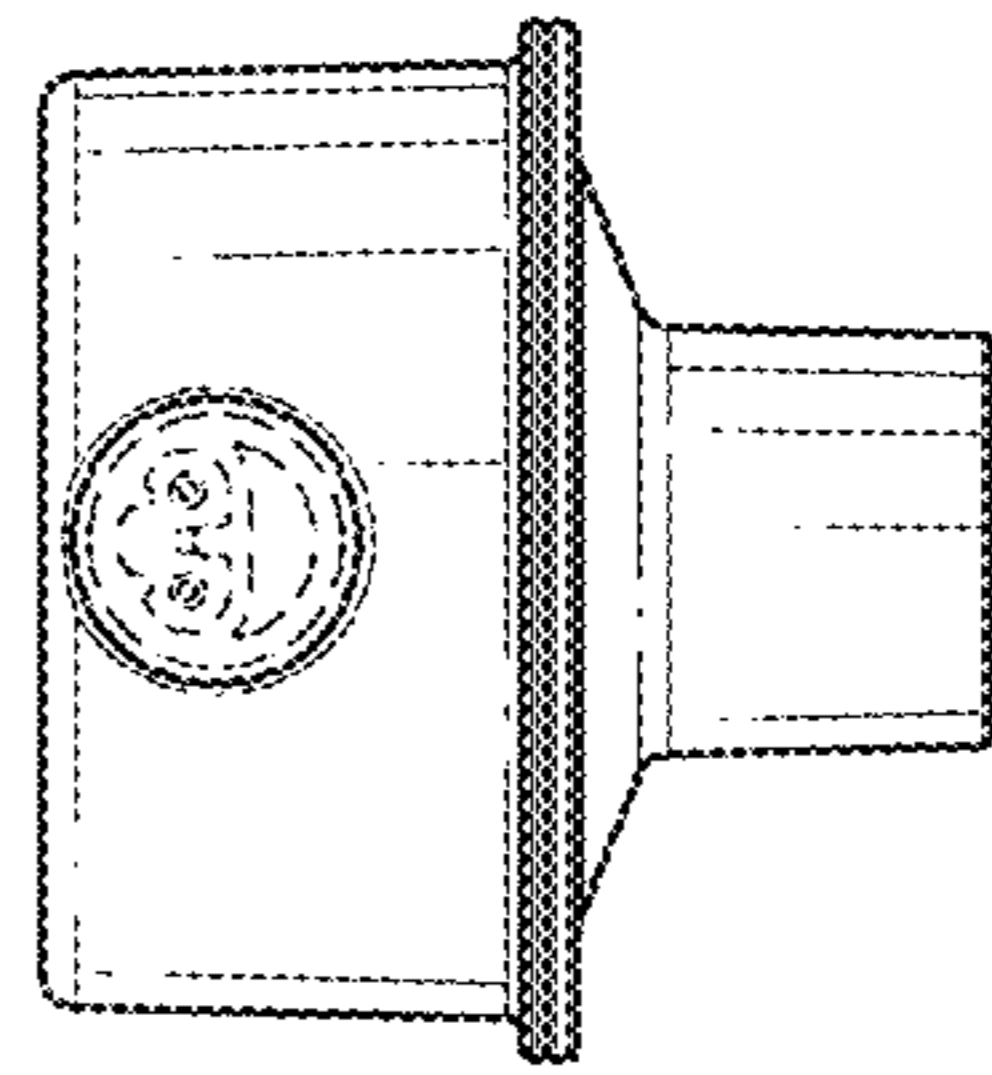


FIG. 7

UNITED STATES PATENT AND TRADEMARK OFFICE  
**CERTIFICATE OF CORRECTION**

PATENT NO. : D894,376 S  
APPLICATION NO. : 29/648752  
DATED : August 25, 2020  
INVENTOR(S) : Richard John Boyes et al.

Page 1 of 1

It is certified that error appears in the above-identified patent and that said Letters Patent is hereby corrected as shown below:

On the Title Page

Column 1, Item (72), Line 5, under Inventors, delete "Rahm" and insert --Rahman--.

Signed and Sealed this  
Twenty-first Day of September, 2021



Drew Hirshfeld  
*Performing the Functions and Duties of the  
Under Secretary of Commerce for Intellectual Property and  
Director of the United States Patent and Trademark Office*