



US00D894374S

(12) **United States Design Patent** (10) **Patent No.:** **US D894,374 S**
Lennertz et al. (45) **Date of Patent:** **** Aug. 25, 2020**

(54) **DISPOSABLE MEDICAL SUCTION DEVICE**

(56) **References Cited**

(71) Applicant: **Brainlab AG**, Munich (DE)

U.S. PATENT DOCUMENTS

(72) Inventors: **Philippe Lennertz**, Munich (DE);
Andrew Ayala, Munich (DE); **Elmar Schlereth**, Munich (DE); **Elisah Pietersma**, Munich (DE)

5,876,384	A *	3/1999	Dragan	A61C 17/04 433/91
D571,458	S *	6/2008	Kataoka	D24/108
D674,082	S *	1/2013	Efinger	D24/108
D685,466	S *	7/2013	Moshinsky	D24/130
D713,027	S *	9/2014	Adams	D24/112
D728,781	S *	5/2015	Pierson	D24/112
D751,196	S *	3/2016	Wapler	D24/133
D774,908	S *	12/2016	Eckstein	D24/130
D776,259	S *	1/2017	Eldredge	D24/112
D779,059	S *	2/2017	Nino	D24/133

(73) Assignee: **BRAINLAB AG**, Munich (DE)

(Continued)

(**) Term: **15 Years**

Primary Examiner — David G Muller

(21) Appl. No.: **29/731,606**

(74) *Attorney, Agent, or Firm* — Middleton Reutlinger

(22) Filed: **Apr. 16, 2020**

(57) **CLAIM**

Related U.S. Application Data

The ornamental design for a disposable medical suction device, as shown and described.

(62) Division of application No. 29/653,104, filed on Jun. 12, 2018.

DESCRIPTION

(30) **Foreign Application Priority Data**

FIG. 1 is a top perspective view of a disposable medical suction device showing the new design;
FIG. 2 is a bottom perspective view of the disposable medical suction device of FIG. 1;
FIG. 3 is a left side view of the disposable medical suction device of FIG. 1;
FIG. 4 is a front end view of the disposable medical suction device of FIG. 1;
FIG. 5 is a right side view of the disposable medical suction device of FIG. 1;
FIG. 6 is a top view of the disposable medical suction device of FIG. 1; and,
FIG. 7 is a bottom view of the disposable medical suction device of FIG. 1.

Dec. 12, 2017 (EM) 004543999

(51) **LOC (12) Cl.** **24-02**

(52) **U.S. Cl.**
USPC **D24/112**

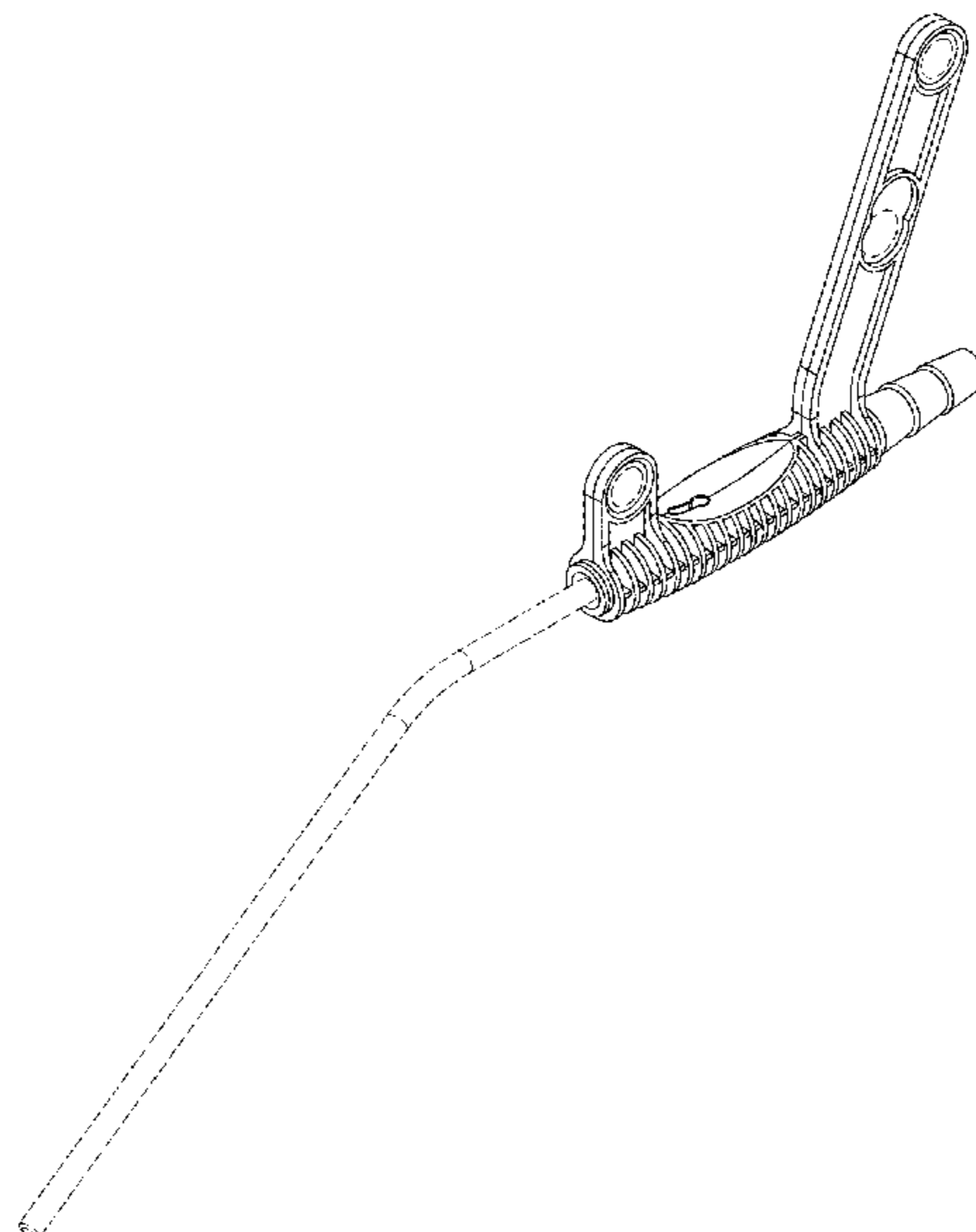
(58) **Field of Classification Search**
USPC D24/112-114, 108, 130, 127, 133, 186;
606/181, 185; 604/264, 523-528, 272,
604/164.01-164.11, 187, 93.01; 600/101,
600/139, 143; 128/200.24, 207.14,
128/207.15

CPC .. A61M 25/065; A61M 5/42; A61M 25/0612;
A61M 25/00; A61M 39/00; A61M 27/00;
A61M 25/0043; A61M 25/0067; A61M
25/0097; A61F 2/958

See application file for complete search history.

The broken lines shown in the drawings are included for the purpose of illustrating the unclaimed boundary and unclaimed portions of the disposable medical suction device. The broken lines form no part of the claimed design.

1 Claim, 7 Drawing Sheets



(56)

References Cited

U.S. PATENT DOCUMENTS

D806,861 S * 1/2018 Amano D24/112
D809,123 S * 1/2018 Ishikawa D24/108
D831,210 S * 10/2018 Nelson D24/146

* cited by examiner

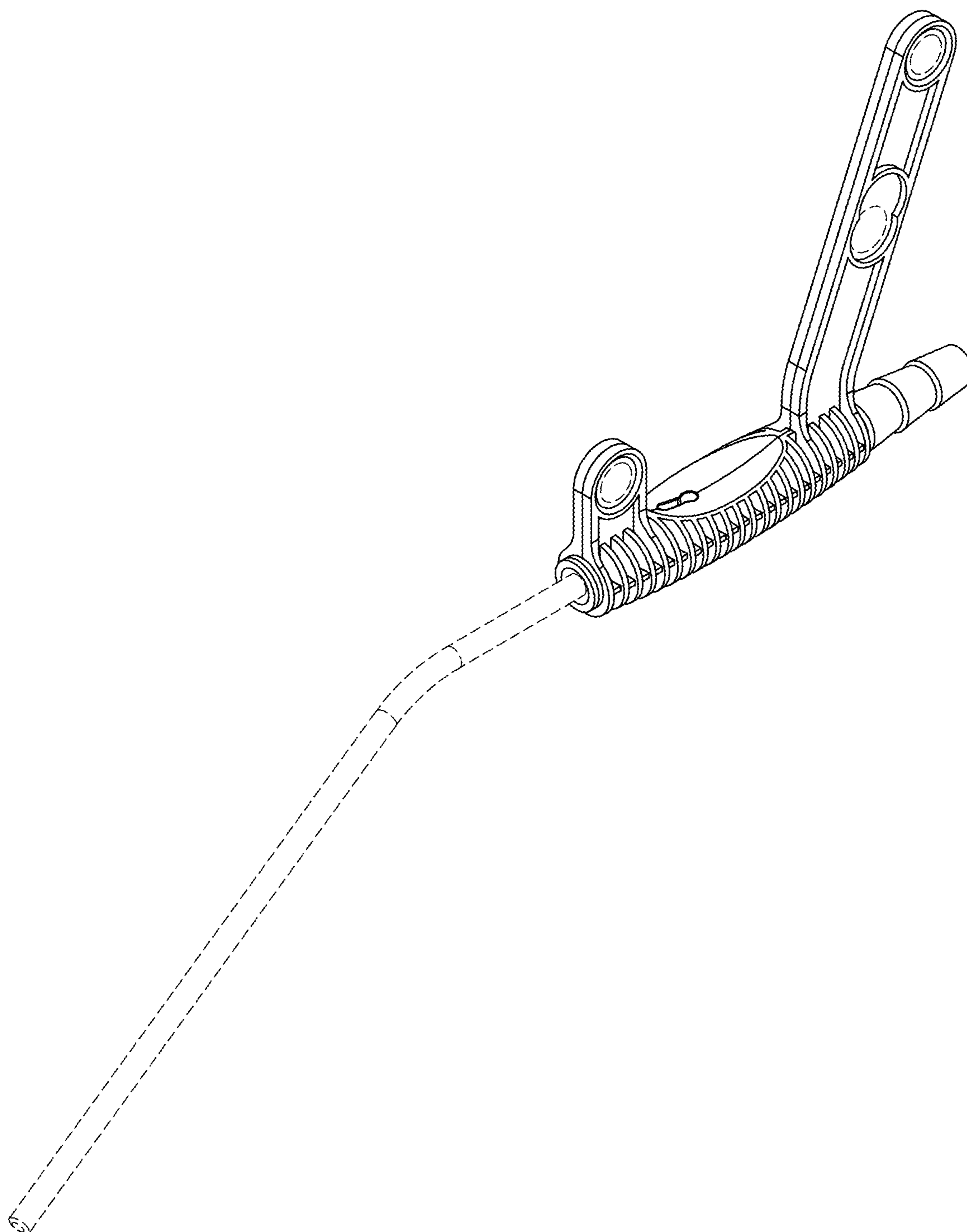


FIG. 1

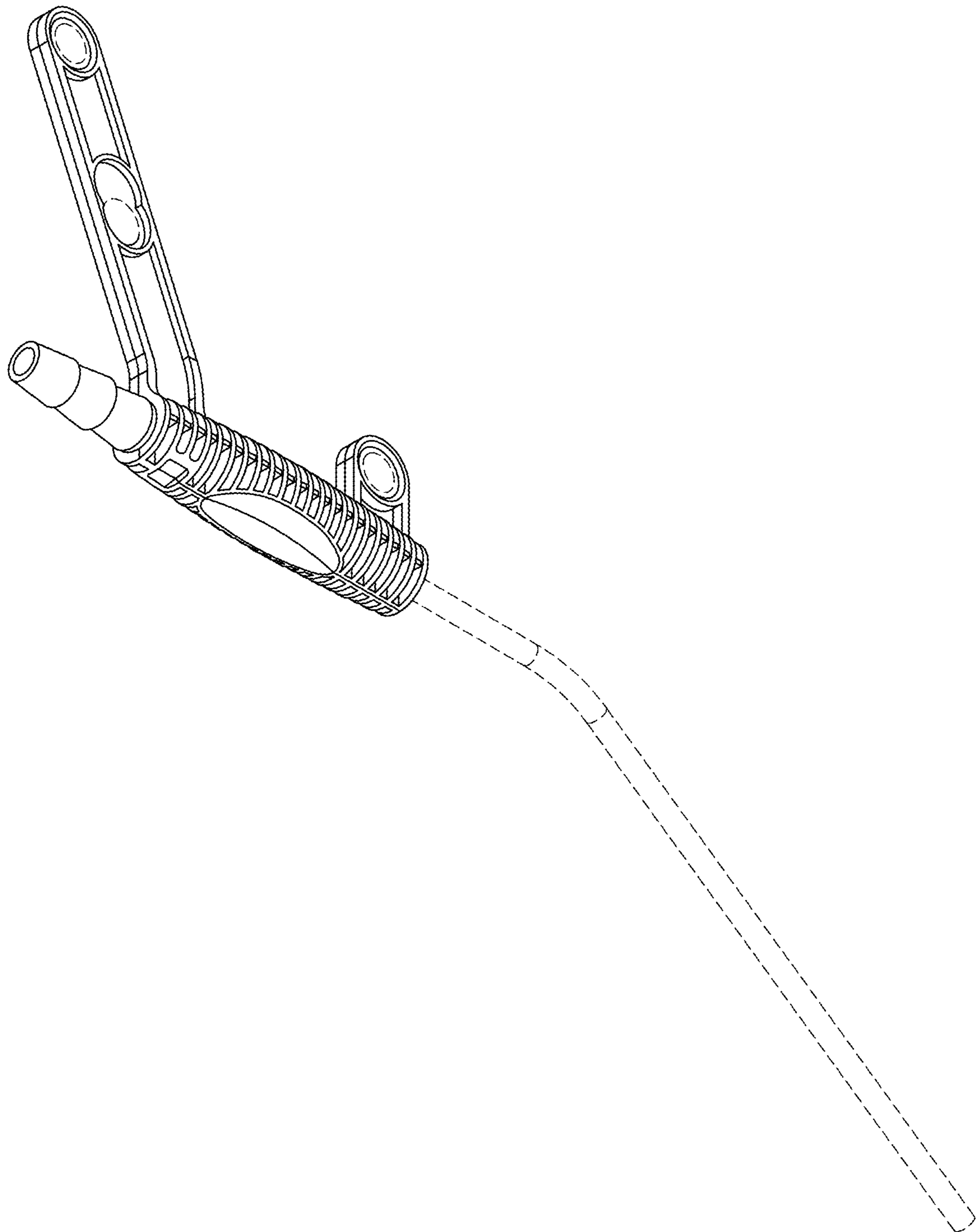


FIG. 2

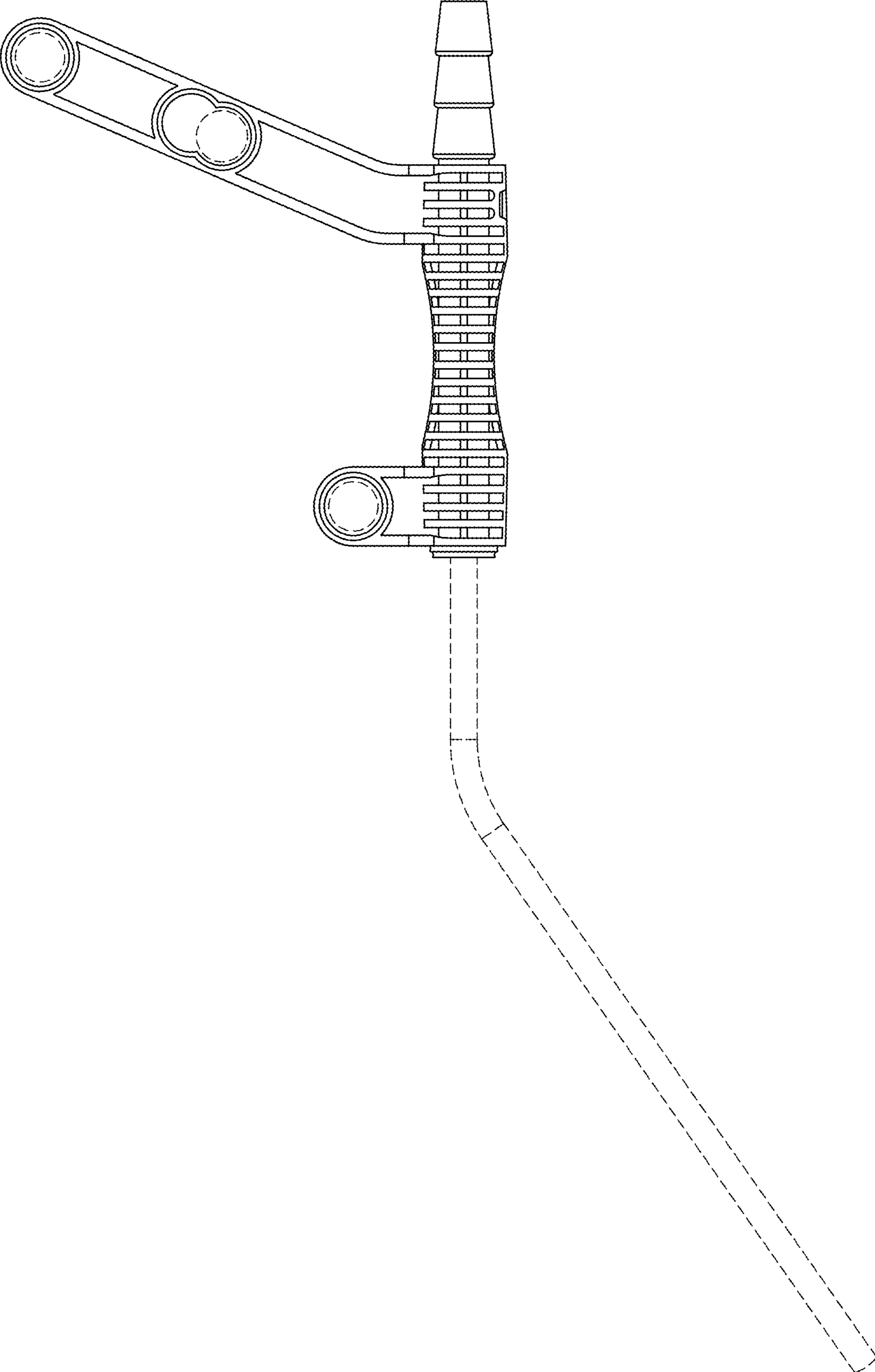


FIG. 3

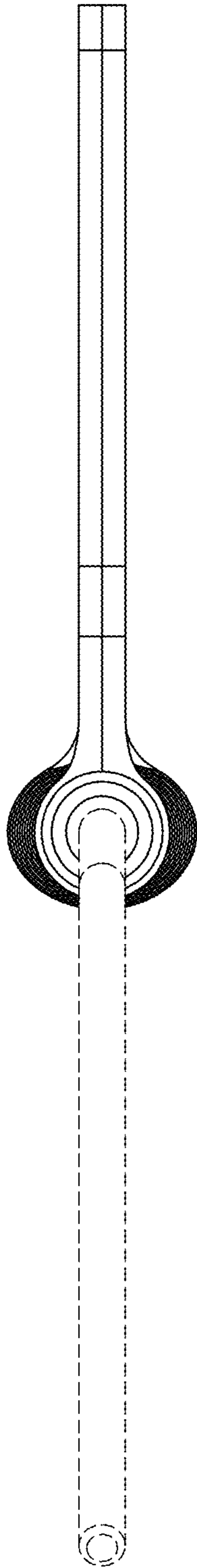


FIG. 4

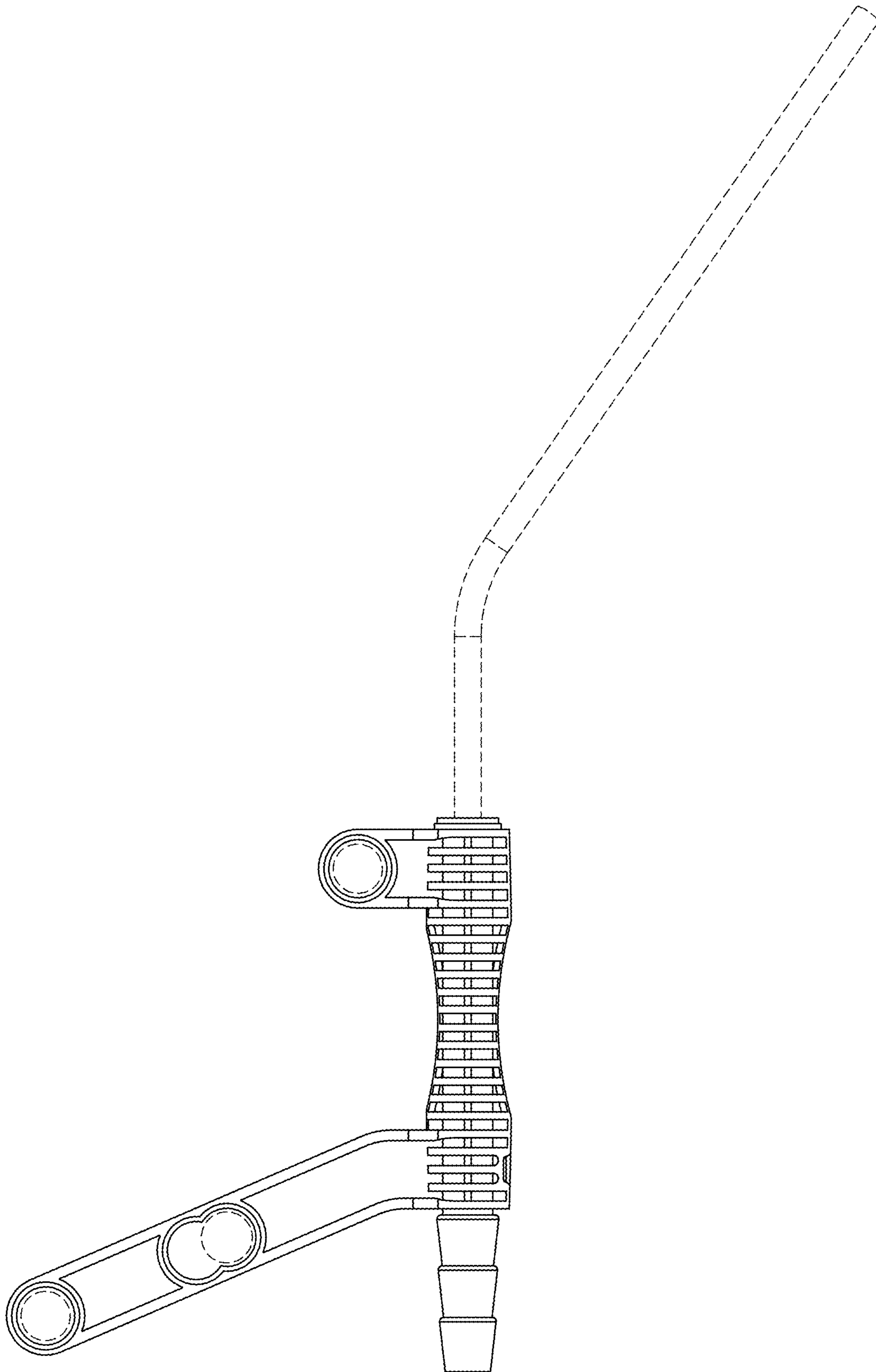


FIG. 5

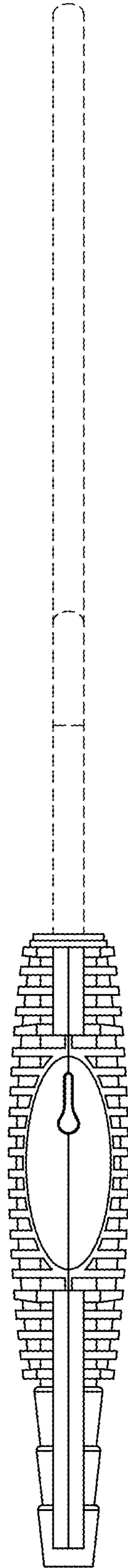


FIG. 6

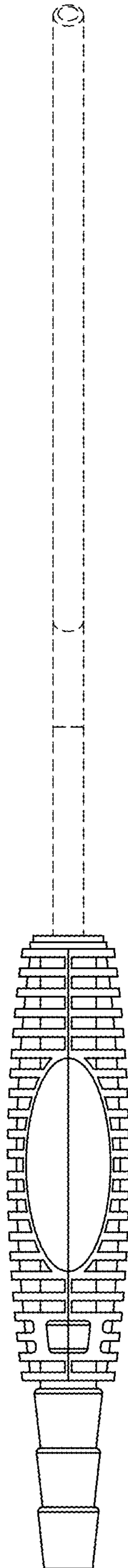


FIG. 7