

US00D894373S

(12) **United States Design Patent**
Haug et al.

(10) **Patent No.:** **US D894,373 S**

(45) **Date of Patent:** **** Aug. 25, 2020**

(54) **SYRINGE PUMP**

(71) Applicant: **Fresenius Vial SAS**, Brézins (FR)

(72) Inventors: **Andreas Haug**, Stuttgart (DE); **Moritz Rose**, Marburg (DE)

(73) Assignee: **Fresenius Vial SAS**, Brezins (FR)

(**) Term: **15 Years**

(21) Appl. No.: **29/559,492**

(22) Filed: **Mar. 29, 2016**

(30) **Foreign Application Priority Data**

Sep. 30, 2015 (EP) 002804732

(51) **LOC (12) Cl.** **24-02**

(52) **U.S. Cl.**
USPC **D24/111**

(58) **Field of Classification Search**
USPC D24/107, 108, 111, 169, 185, 186
CPC A61M 5/142; A61M 2205/502; A61M
5/1452; A61M 2205/505; A61M
2205/3331; A61M 2205/3334; A61M
5/168; A61M 5/16886

See application file for complete search history.

(56) **References Cited**

U.S. PATENT DOCUMENTS

5,101,679 A * 4/1992 Smith A61M 5/1456
128/DIG. 1
5,533,981 A * 7/1996 Mandro A61M 5/1456
604/208
6,428,509 B1 * 8/2002 Fielder A61M 5/1456
604/131
6,932,242 B2 * 8/2005 Gerlach A61M 5/142
222/113
7,232,424 B2 * 6/2007 Boyne-Aitken A61M 5/1456
128/DIG. 1

D669,096 S * 10/2012 Katsura D15/7
D679,379 S * 4/2013 Katsura D24/111
9,770,550 B2 * 9/2017 Traversaz A61M 5/14546
D803,386 S * 11/2017 Sabin D24/108
D803,387 S * 11/2017 Bodwell D24/108
D812,218 S * 3/2018 Lacy D24/111
10,549,033 B2 * 2/2020 Shimizu A61M 5/1422
2012/0215170 A1 * 8/2012 Traversaz A61M 5/14546
604/155
2014/0046296 A1 * 2/2014 Clarke A61M 5/1456
604/507
2015/0151057 A1 * 6/2015 Nakanishi A61M 5/162
604/151
2015/0202362 A1 * 7/2015 Wolff A61M 5/14228
604/152
2015/0238689 A1 * 8/2015 Shimizu A61M 5/14228
604/508
2015/0265763 A1 * 9/2015 Katsunuma A61M 5/142
604/500

(Continued)

Primary Examiner — Lilyana Bekic

(74) *Attorney, Agent, or Firm* — Cook Alex Ltd.

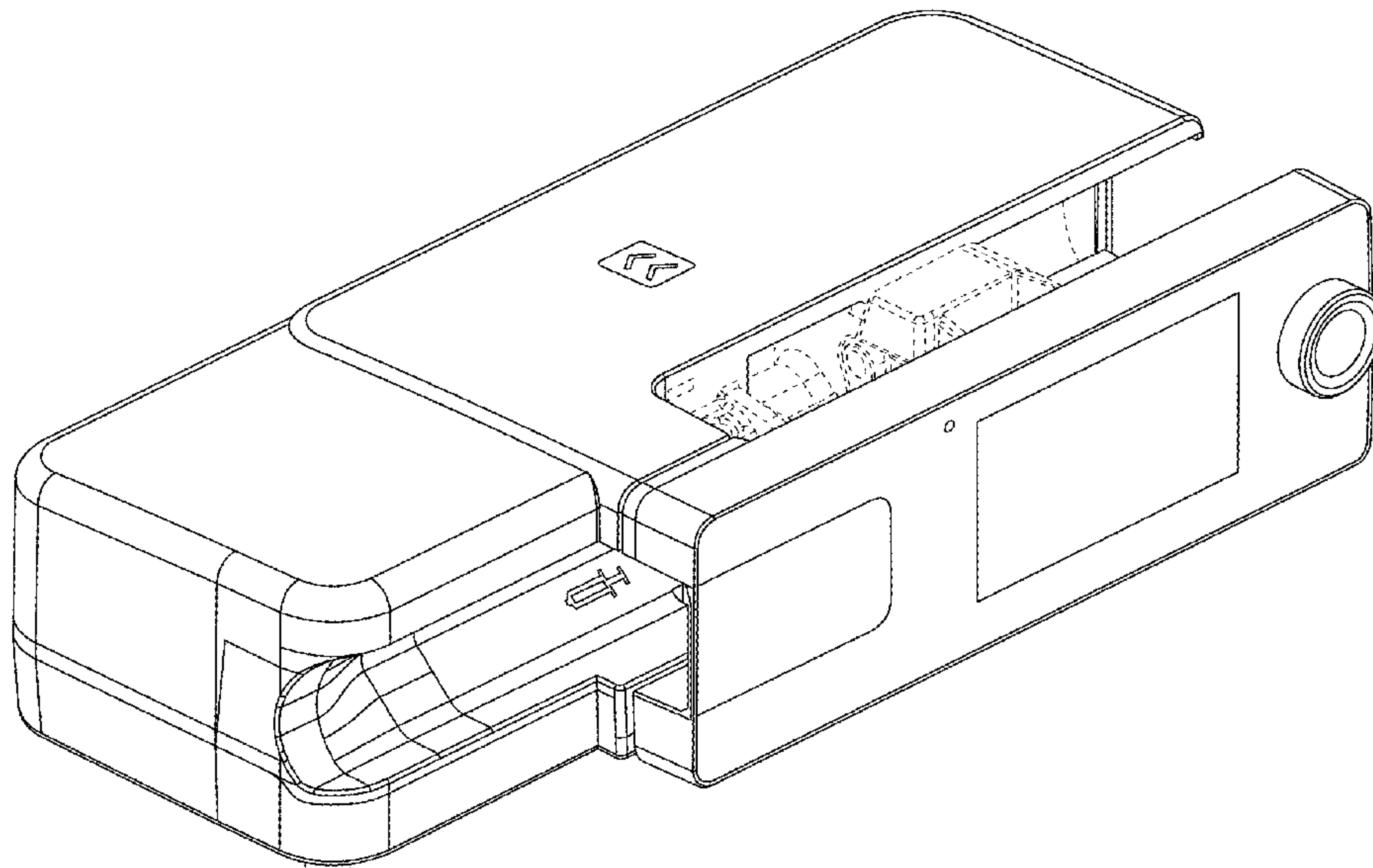
(57) **CLAIM**

The ornamental design for a syringe pump, as shown and described.

DESCRIPTION

FIG. 1 is a first front perspective view of a syringe pump showing our new design;
FIG. 2 is a second front perspective view thereof;
FIG. 3 is a first rear perspective view thereof;
FIG. 4 is a second rear perspective view thereof;
FIG. 5 is a front elevational view thereof;
FIG. 6 a rear elevational view thereof;
FIG. 7 is a right side elevational view thereof;
FIG. 8 is a left side elevational view thereof; and,
FIG. 9 is a top plan view thereof.
The broken lines in the drawings depict portions of the syringe pump that form no part of the claimed design.

1 Claim, 9 Drawing Sheets



(56)

References Cited

U.S. PATENT DOCUMENTS

2015/0314066 A1* 11/2015 Shimizu A61M 5/16831
604/507
2017/0258985 A1* 9/2017 Adams A61M 5/1452
2017/0326293 A1* 11/2017 Sims A61M 5/1458
2019/0224408 A1* 7/2019 Thomas A61M 5/1458
2020/0129691 A1* 4/2020 Lacy A61M 5/1456

* cited by examiner

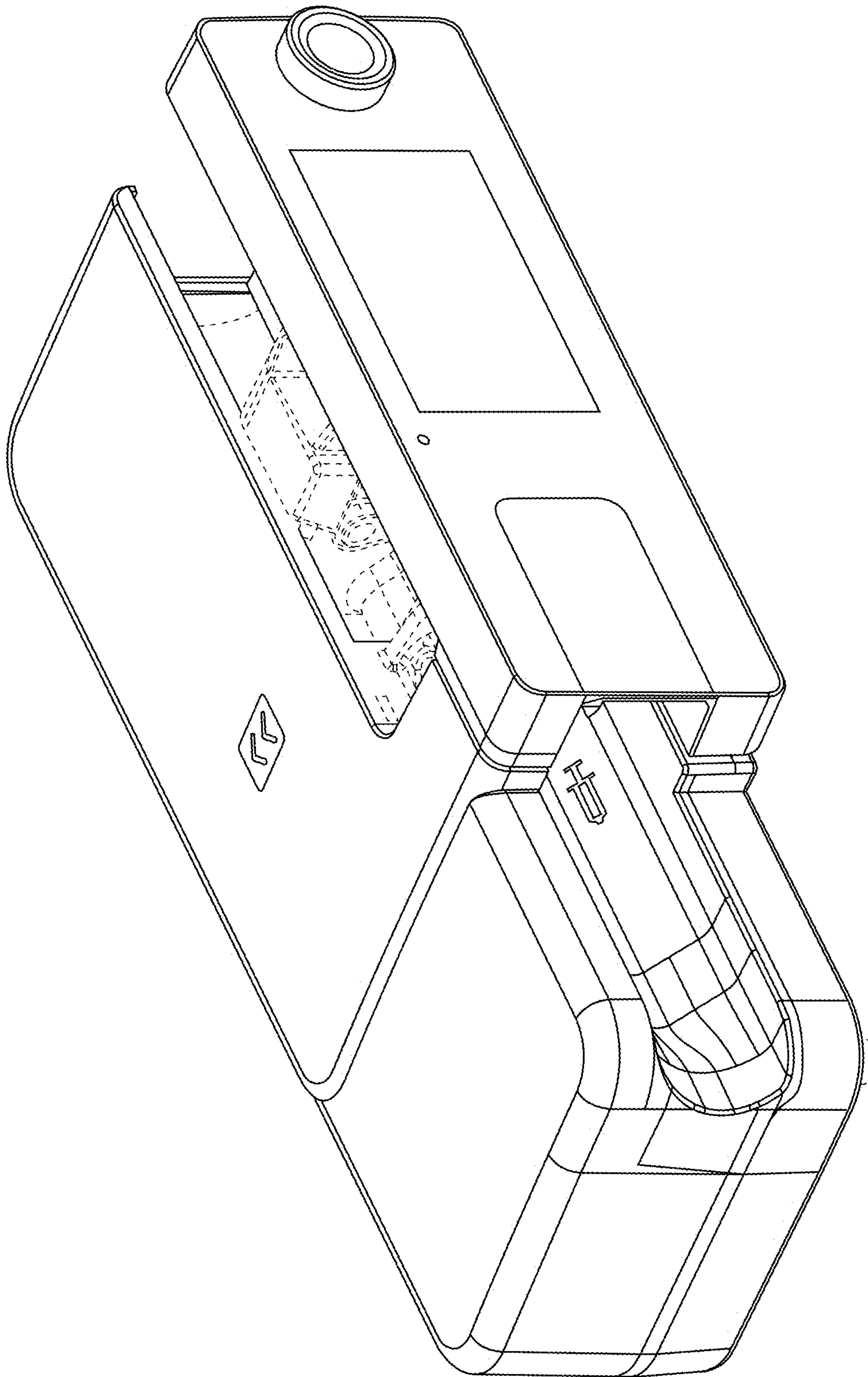


Fig. 1

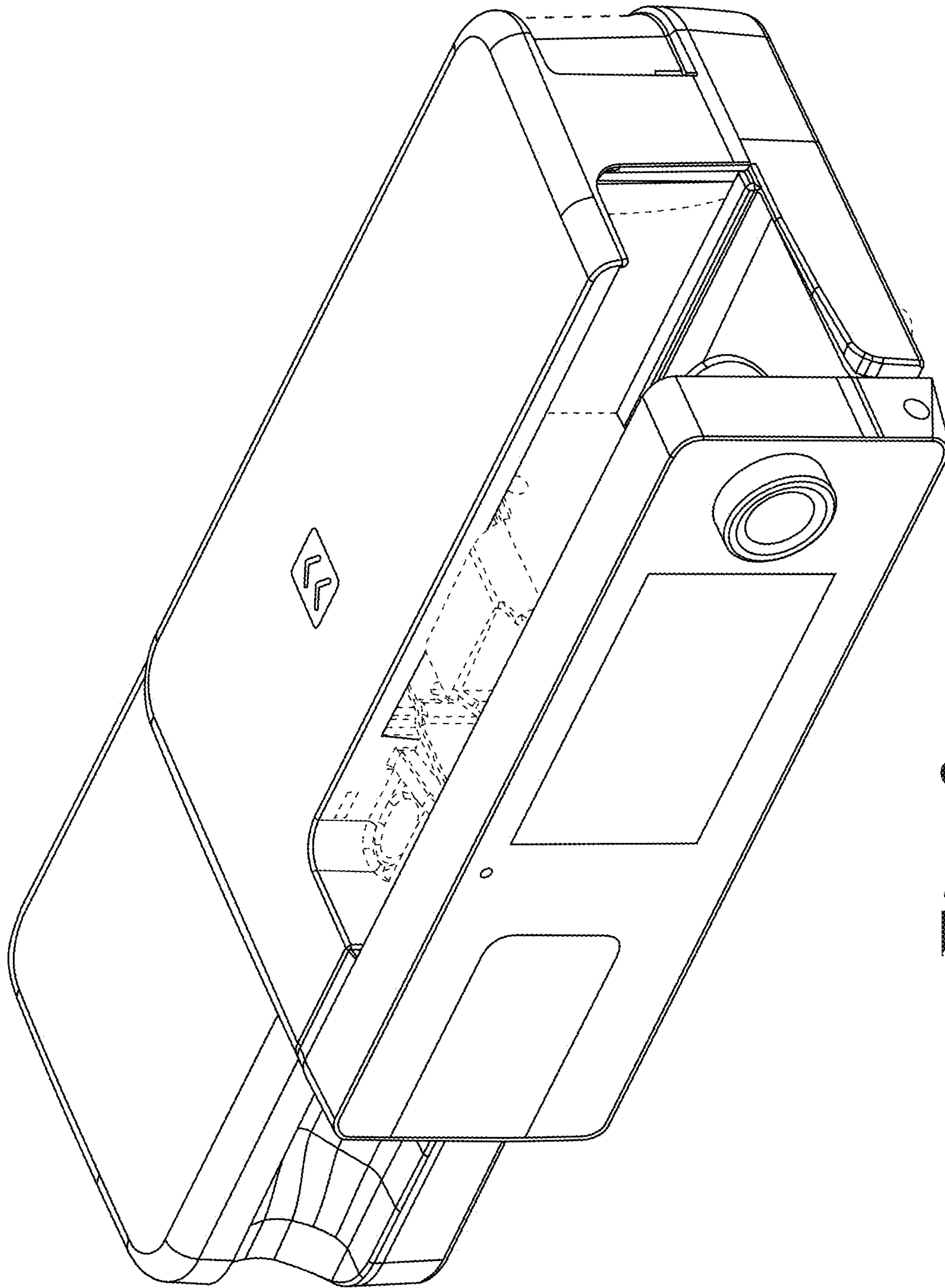


Fig. 2

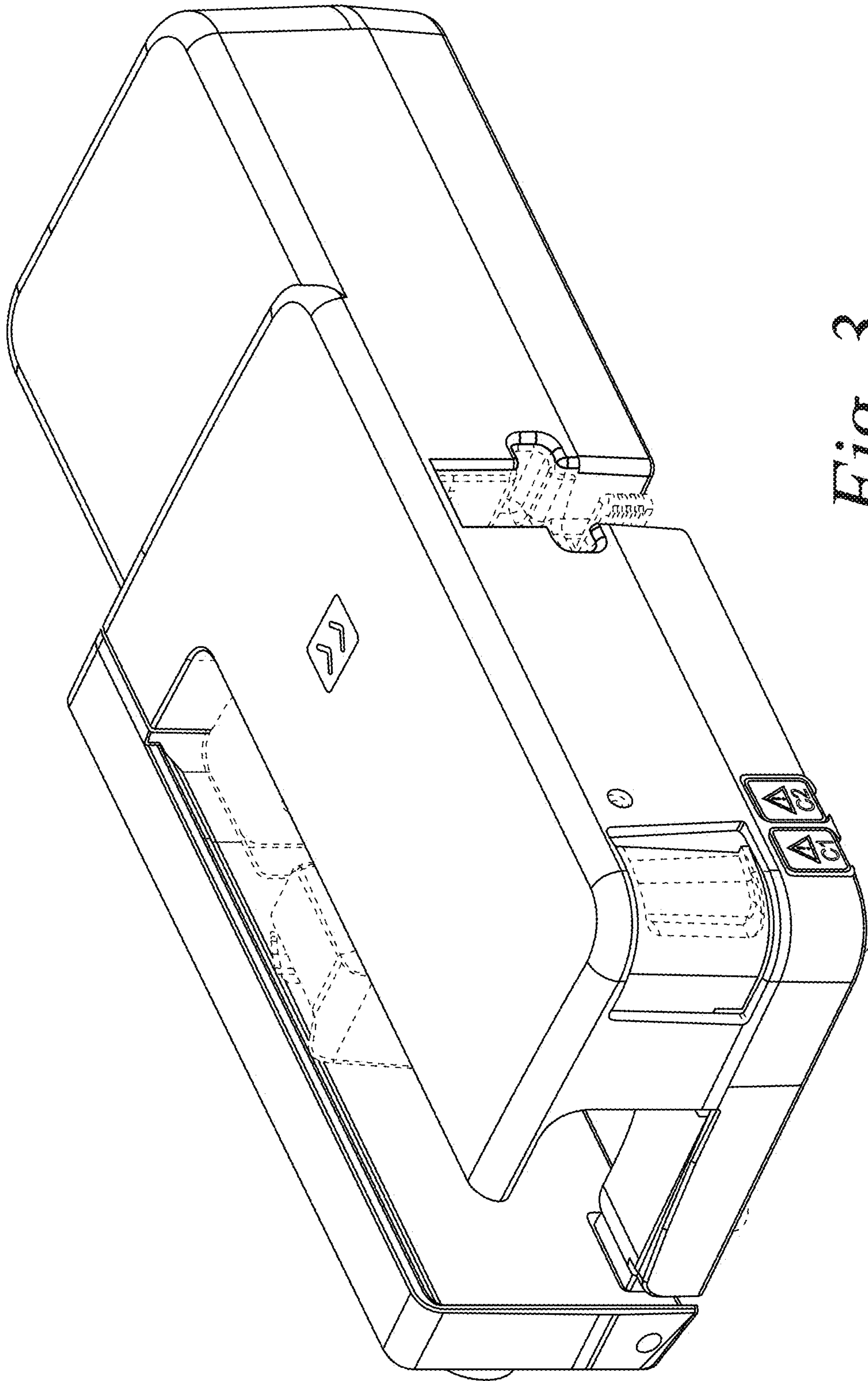


Fig. 3

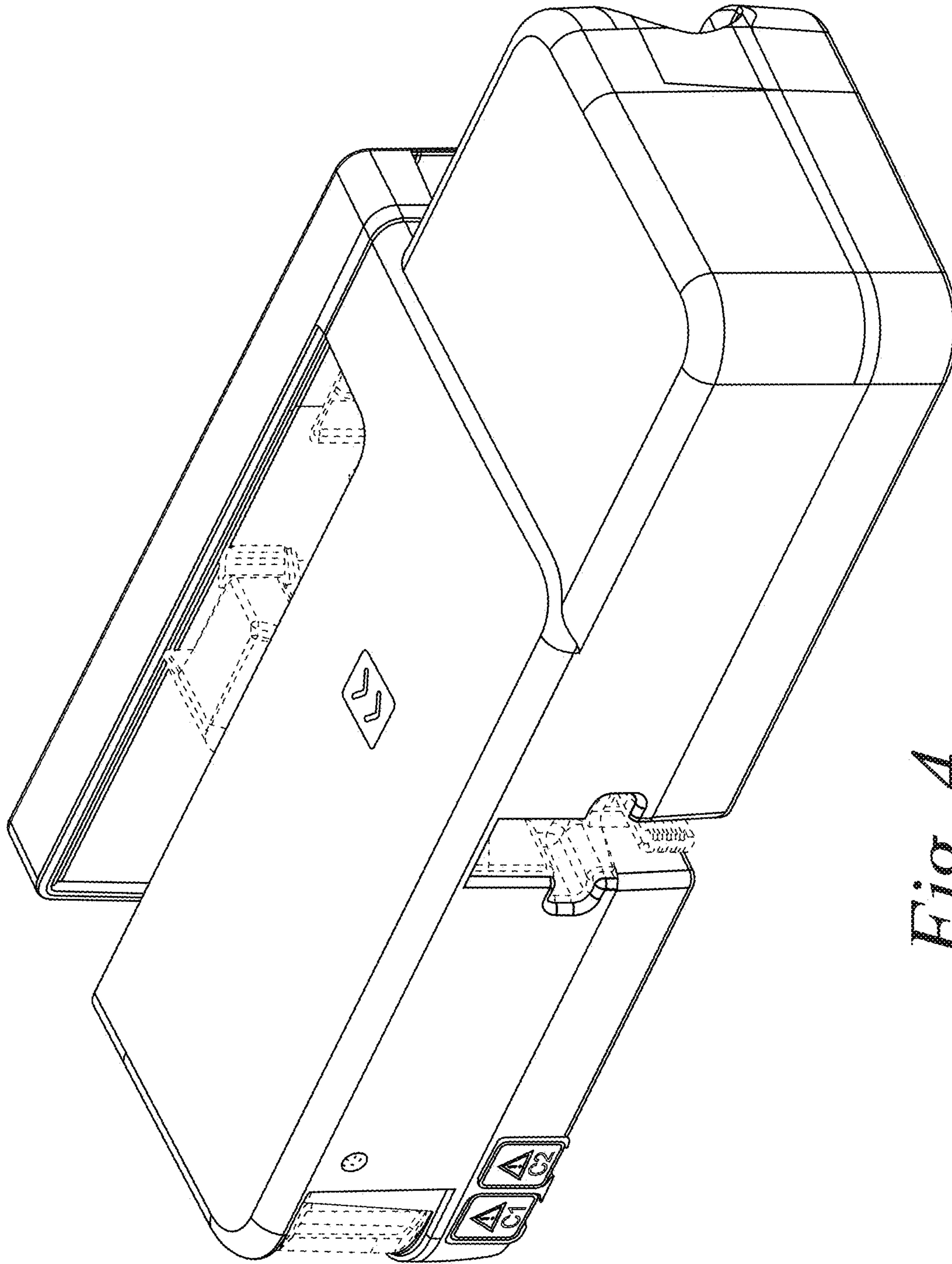


Fig. 4

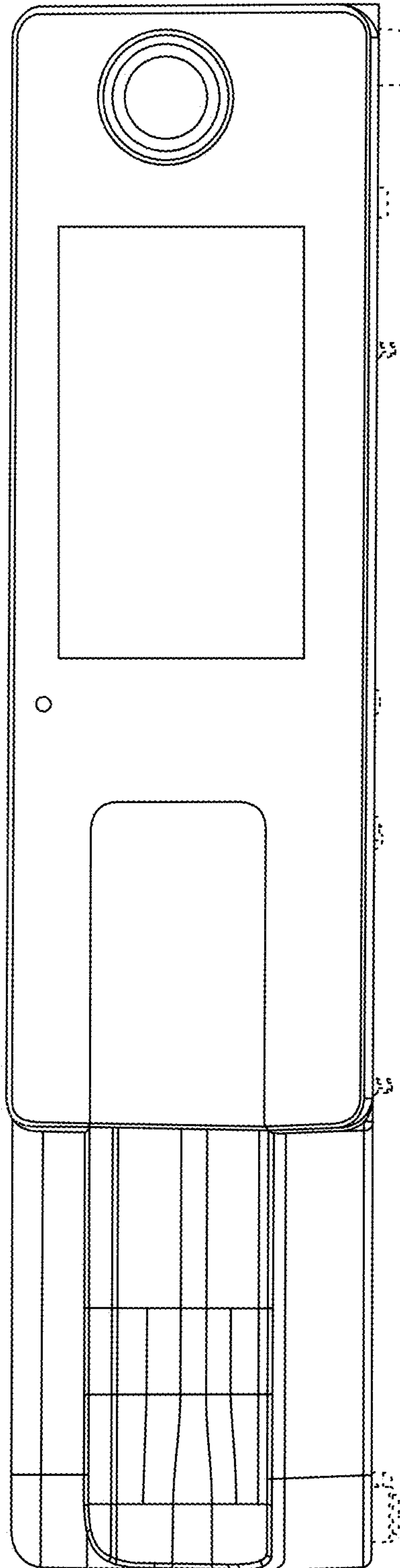


Fig. 5

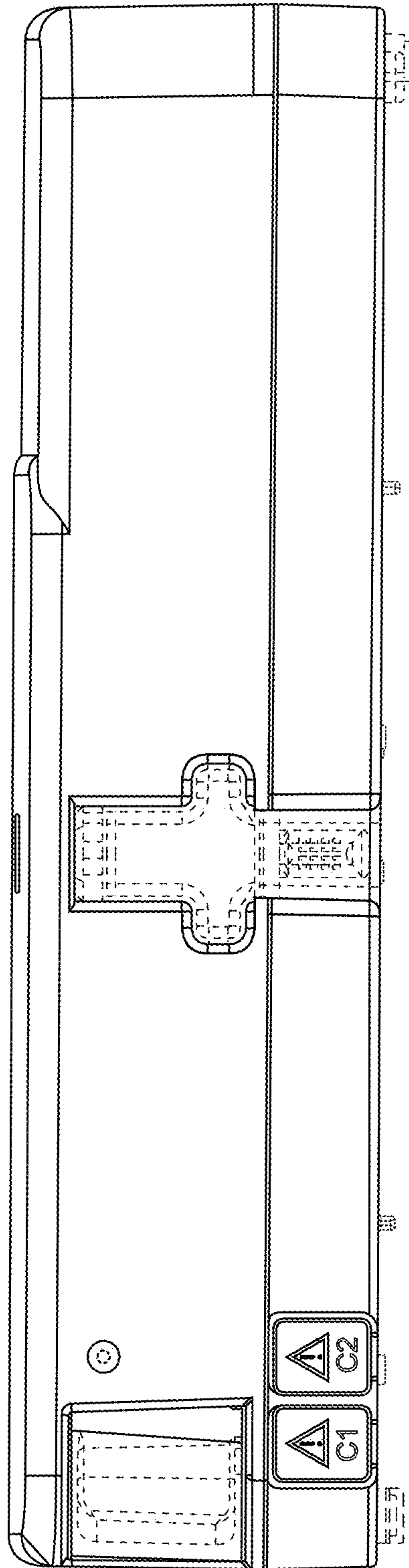


Fig. 6

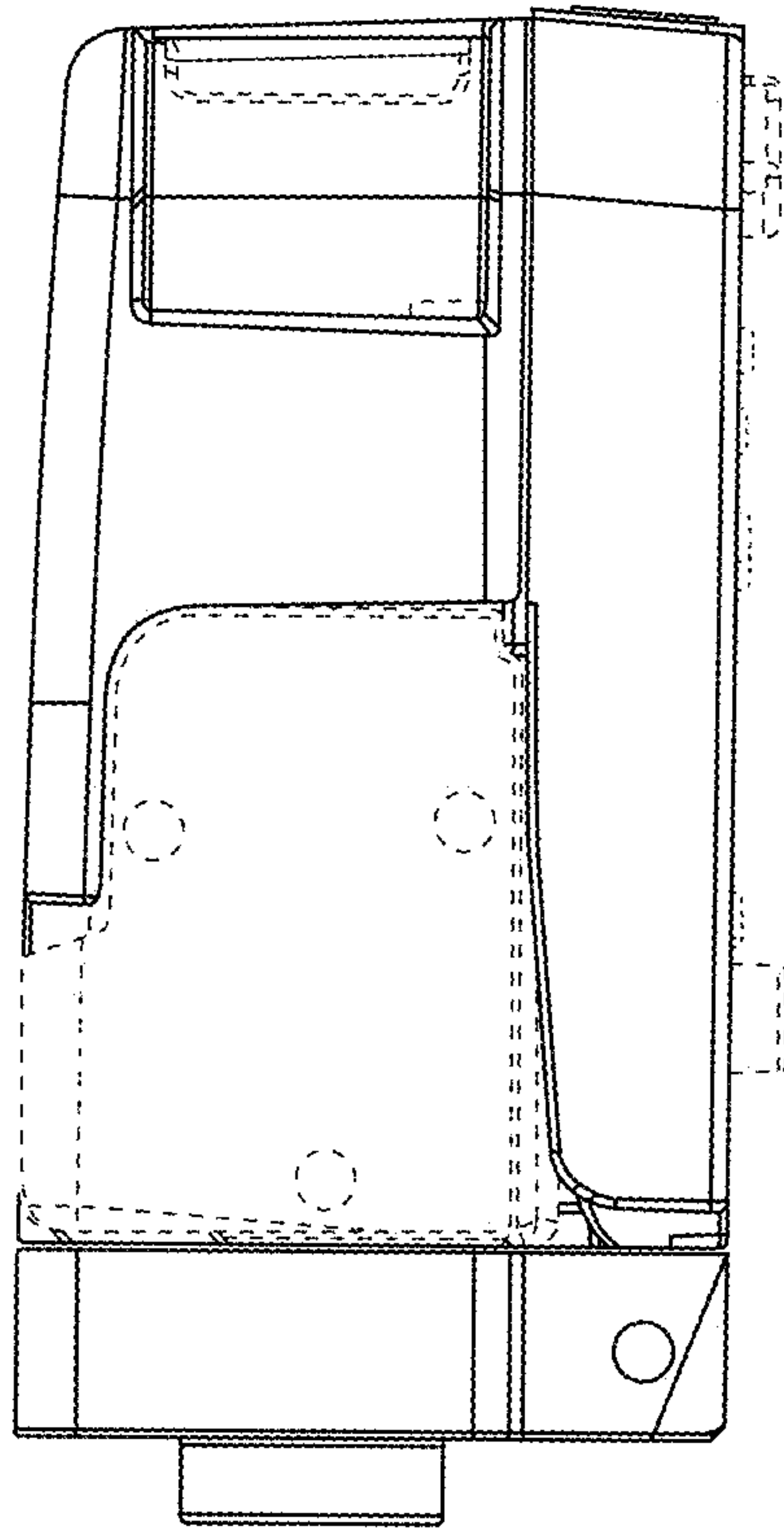


Fig. 7

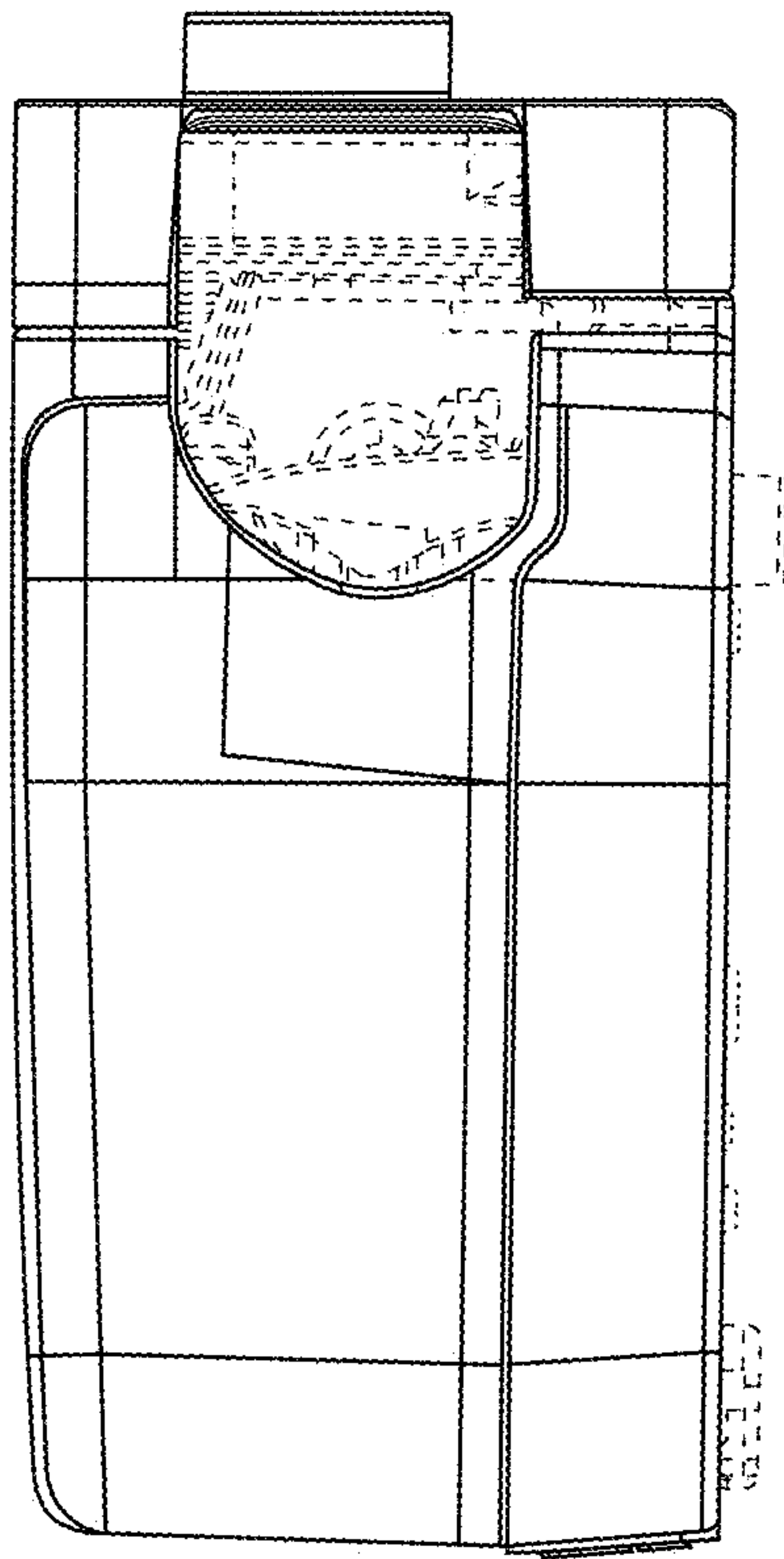


Fig. 8

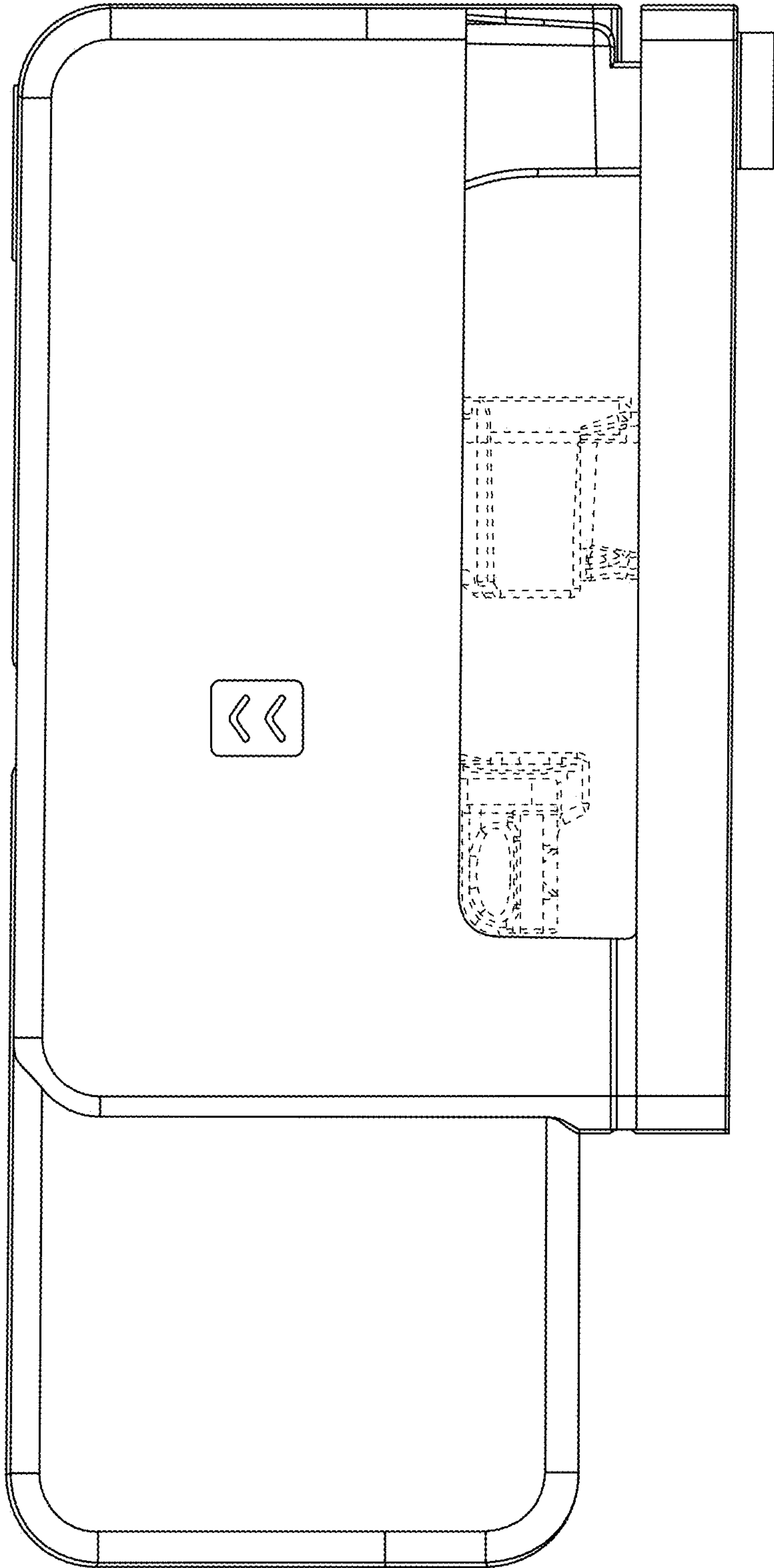


Fig. 9