



US00D894372S

(12) **United States Design Patent**  
**Larrow et al.**

(10) **Patent No.:** **US D894,372 S**

(45) **Date of Patent:** **\*\* Aug. 25, 2020**

(54) **MASK**

(71) Applicant: **CoolTech, LLC**, Baltimore, MD (US)

(72) Inventors: **Chester B. Larrow**, Baltimore, MD (US); **William G. DeMore**, Laurel, MD (US); **Benjamin R. Lane**, Hydes, MD (US); **Aaron S. Pearl**, Marlborough, MA (US)

(73) Assignee: **CoolTech, LLC**, Baltimore, MD (US)

(\*\*) Term: **15 Years**

(21) Appl. No.: **29/678,315**

(22) Filed: **Jan. 28, 2019**

**Related U.S. Application Data**

(63) Continuation-in-part of application No. 16/047,136, filed on Jul. 27, 2018.

(51) **LOC (12) Cl.** ..... **29-02**

(52) **U.S. Cl.**  
USPC ..... **D24/110.4**

(58) **Field of Classification Search**  
USPC ..... D24/108, 110, 110.5, 111, 112, 128, D24/110.4, 110.1, 127, 129  
CPC ..... A61M 16/0666; A61M 16/0672; A61M 2202/0208; A61M 16/0683; A61M 16/06; A61M 2210/0618; A61M 16/0616; A61M 16/0622; A61M 16/0633; A61M 16/00  
See application file for complete search history.

(56) **References Cited**

**U.S. PATENT DOCUMENTS**

D542,912 S \* 5/2007 Gunaratnam ..... D24/110.5  
D586,907 S \* 2/2009 Judson ..... D24/110.1  
D650,064 S \* 12/2011 Gunaratnam ..... D24/110  
D656,607 S \* 3/2012 Gunaratnam ..... D24/110.1

D661,796 S \* 6/2012 Andrews ..... D24/110.1  
D686,313 S \* 7/2013 Matula, Jr. .... D24/110.1  
D691,712 S \* 10/2013 Judson ..... D24/110.1  
D704,329 S \* 5/2014 Collazo ..... D24/110.1  
D708,736 S \* 7/2014 Judson ..... D24/110.5  
D747,460 S \* 1/2016 Hoge ..... D24/110.1  
D747,794 S \* 1/2016 Greenberg ..... D24/110.1  
D800,299 S \* 10/2017 Gunaratnam ..... D24/110.4  
D848,605 S \* 5/2019 Eury ..... D24/110.1  
10,485,944 B2 \* 11/2019 Harrison ..... A61M 16/0694  
2009/0183739 A1 \* 7/2009 Wondka ..... A61M 16/06  
128/207.18  
2011/0041855 A1 \* 2/2011 Gunaratnam ..... A61M 16/06  
128/207.18  
2011/0155140 A1 \* 6/2011 Ho ..... A61M 16/0666  
128/207.18  
2011/0232649 A1 \* 9/2011 Collazo ..... A61M 16/06  
128/207.18  
2013/0037030 A1 \* 2/2013 Matula, Jr. .... A61M 16/0666  
128/205.25

(Continued)

*Primary Examiner* — Lilyana Bekic

(74) *Attorney, Agent, or Firm* — Whiteford, Taylor & Preston, LLP; Peter J. Davis

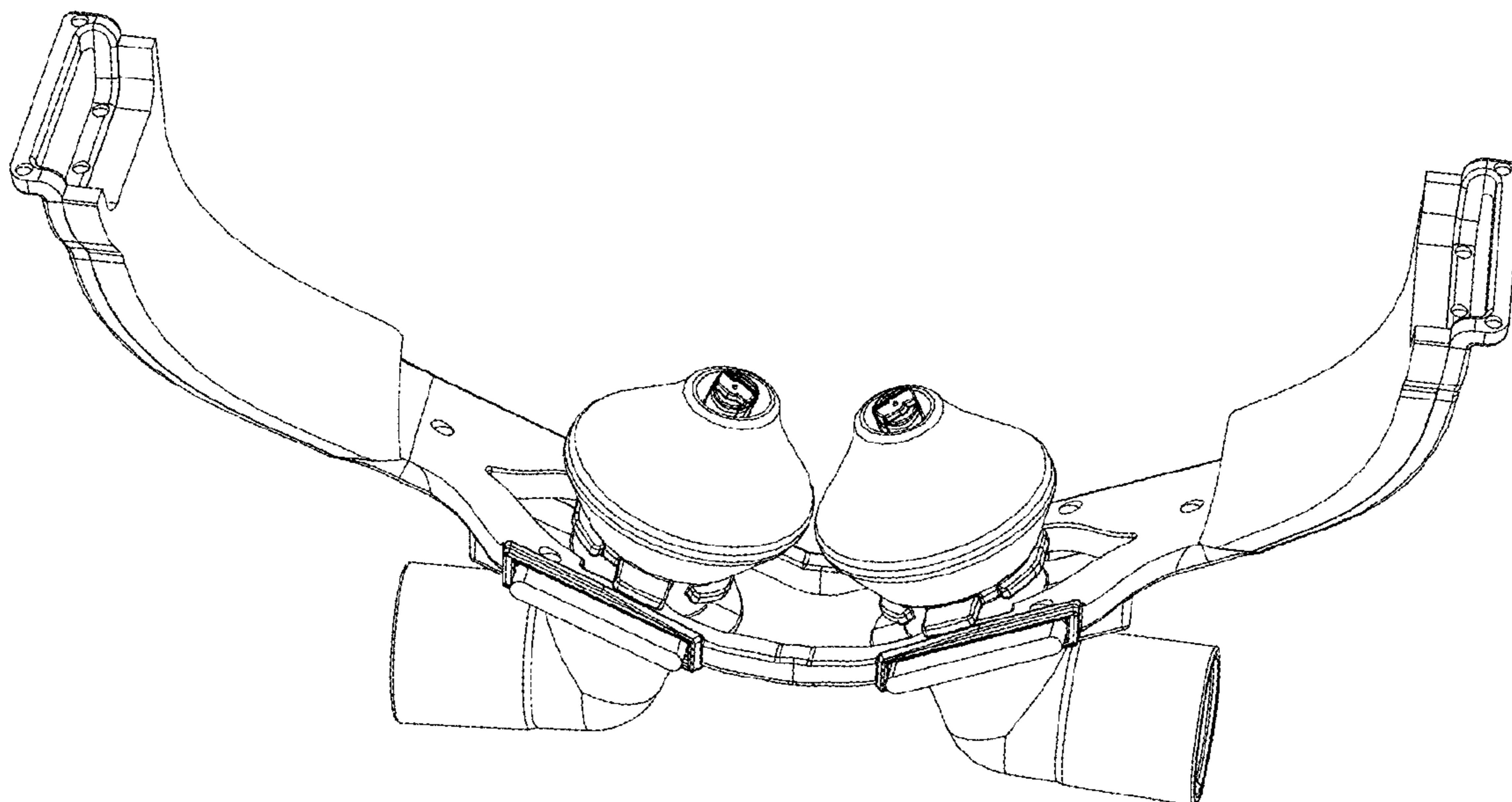
(57) **CLAIM**

The ornamental design for a mask, as shown and described.

**DESCRIPTION**

FIG. 1 is a front perspective view of a mask;  
FIG. 2 is a front elevational view thereof;  
FIG. 3 is a rear elevational view thereof;  
FIG. 4 is a top plan view thereof;  
FIG. 5 is a bottom plan view thereof;  
FIG. 6 is a top front perspective view thereof;  
FIG. 7 is a front perspective view thereof;  
FIG. 8 is a bottom rear perspective view thereof; and  
FIG. 9 is a right side elevational view thereof; and,  
FIG. 10 is a left side elevational view thereof.

**1 Claim, 6 Drawing Sheets**



(56)

**References Cited**

U.S. PATENT DOCUMENTS

2013/0263858 A1\* 10/2013 Ho ..... A61M 16/0683  
128/205.25  
2014/0326248 A1\* 11/2014 Haibach ..... A61M 16/0666  
128/207.18

\* cited by examiner

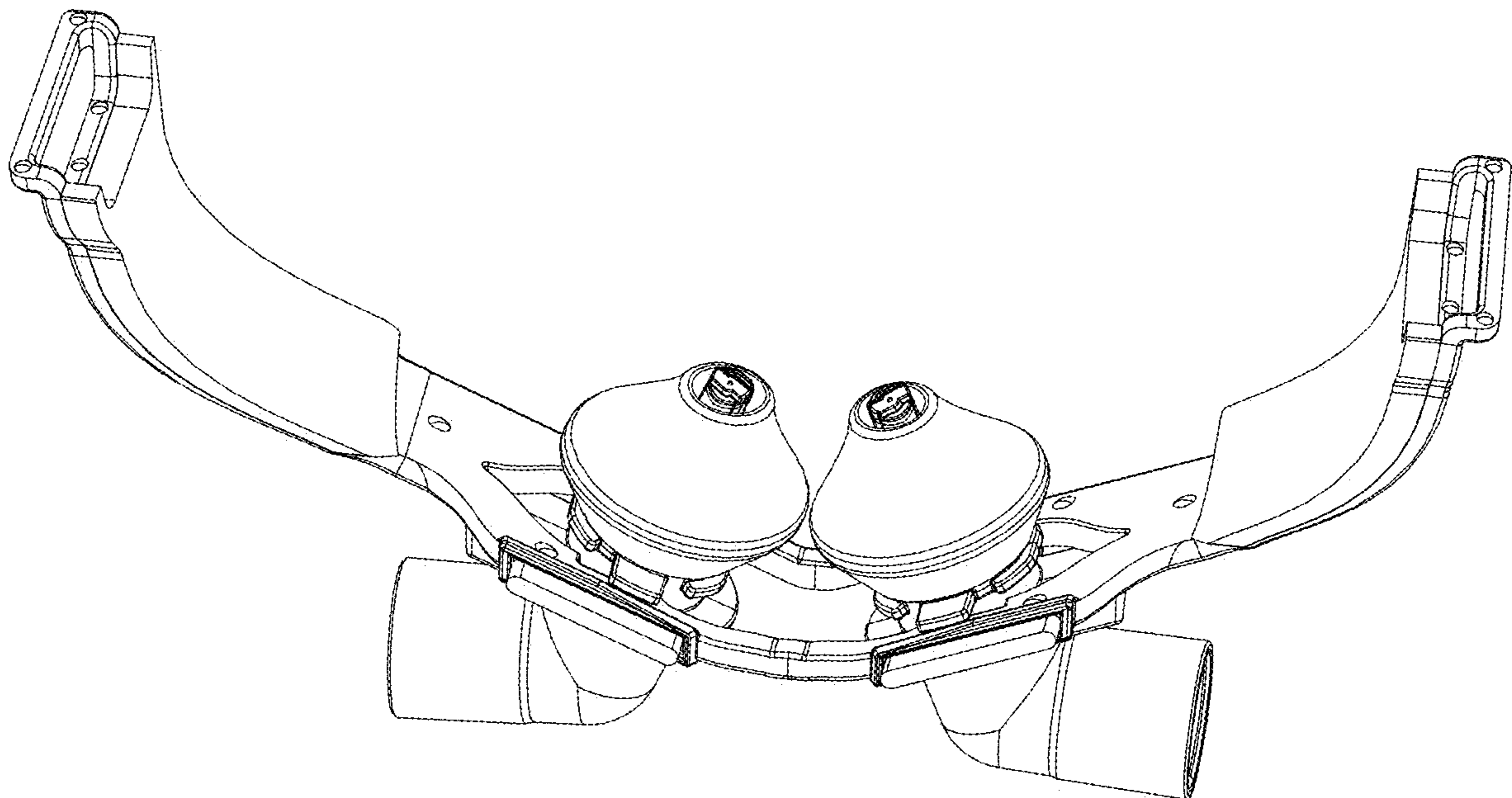


FIG. 1

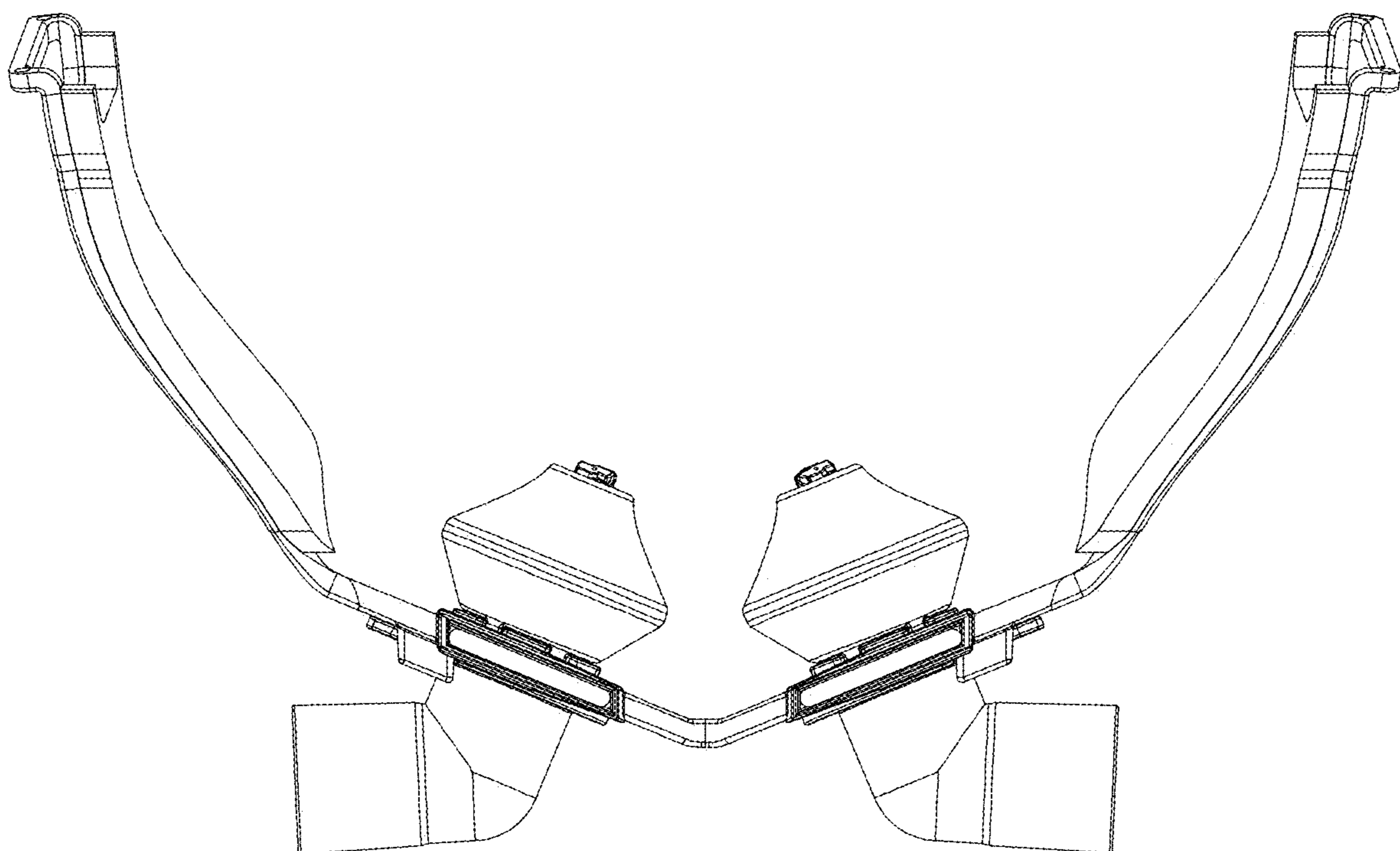


FIG. 2

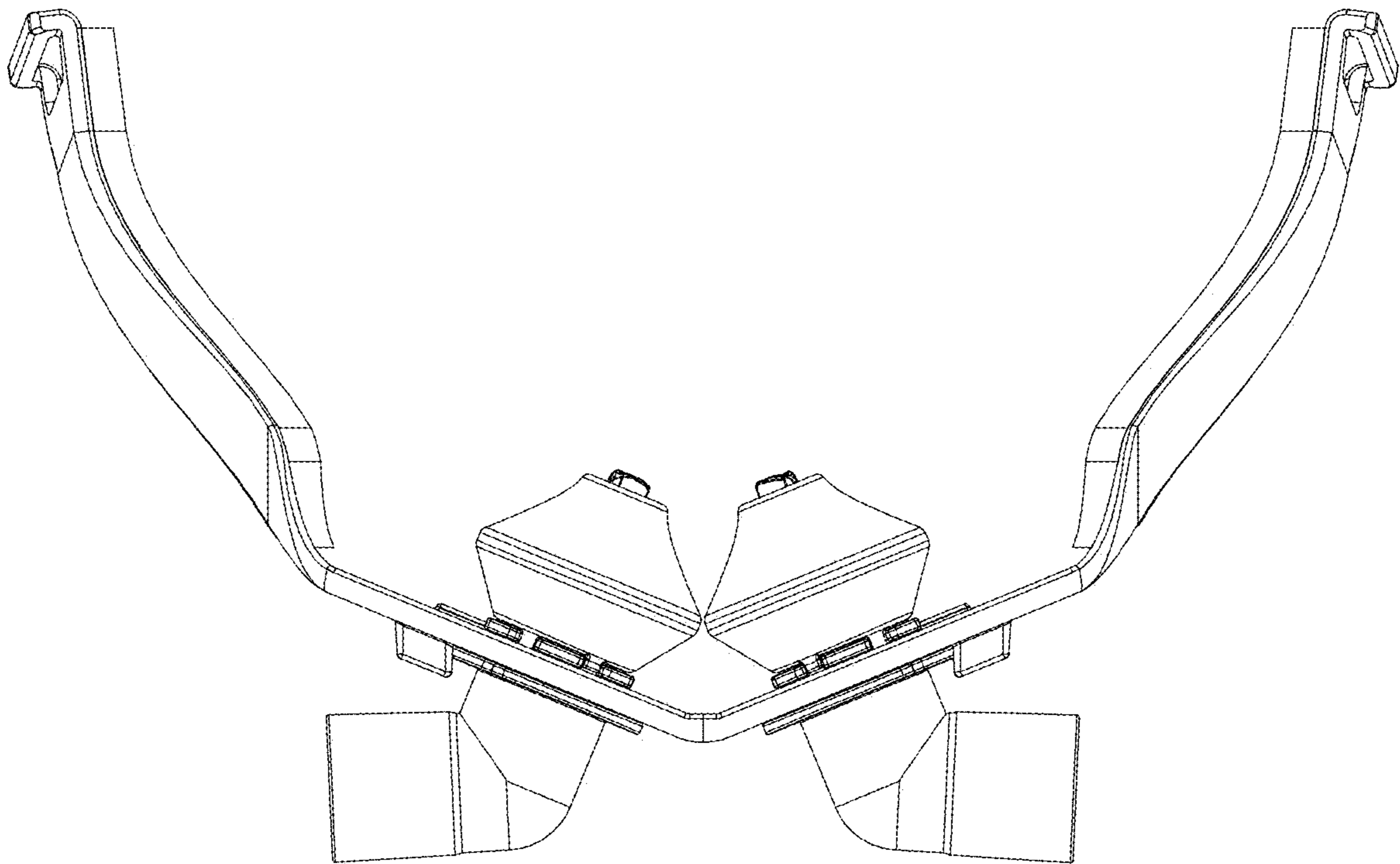


FIG. 3

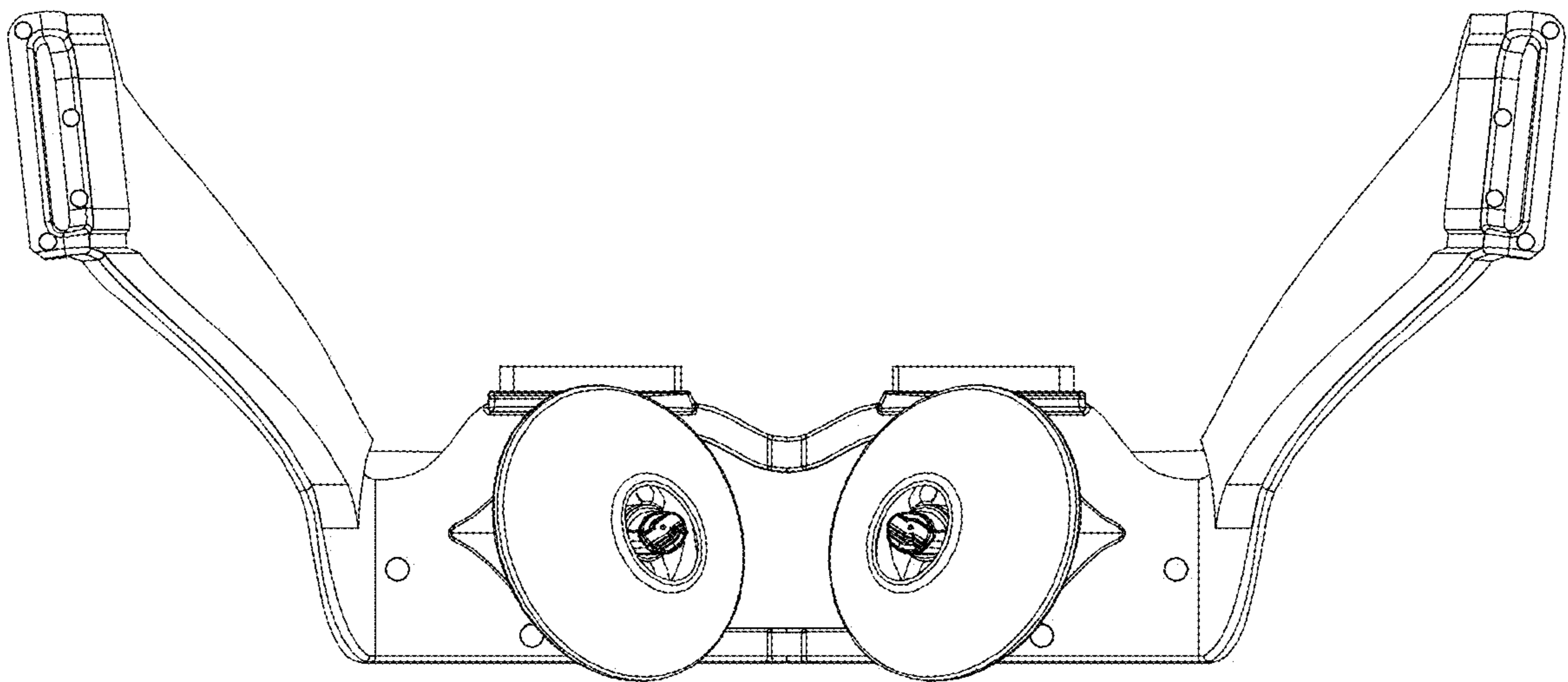


FIG. 4



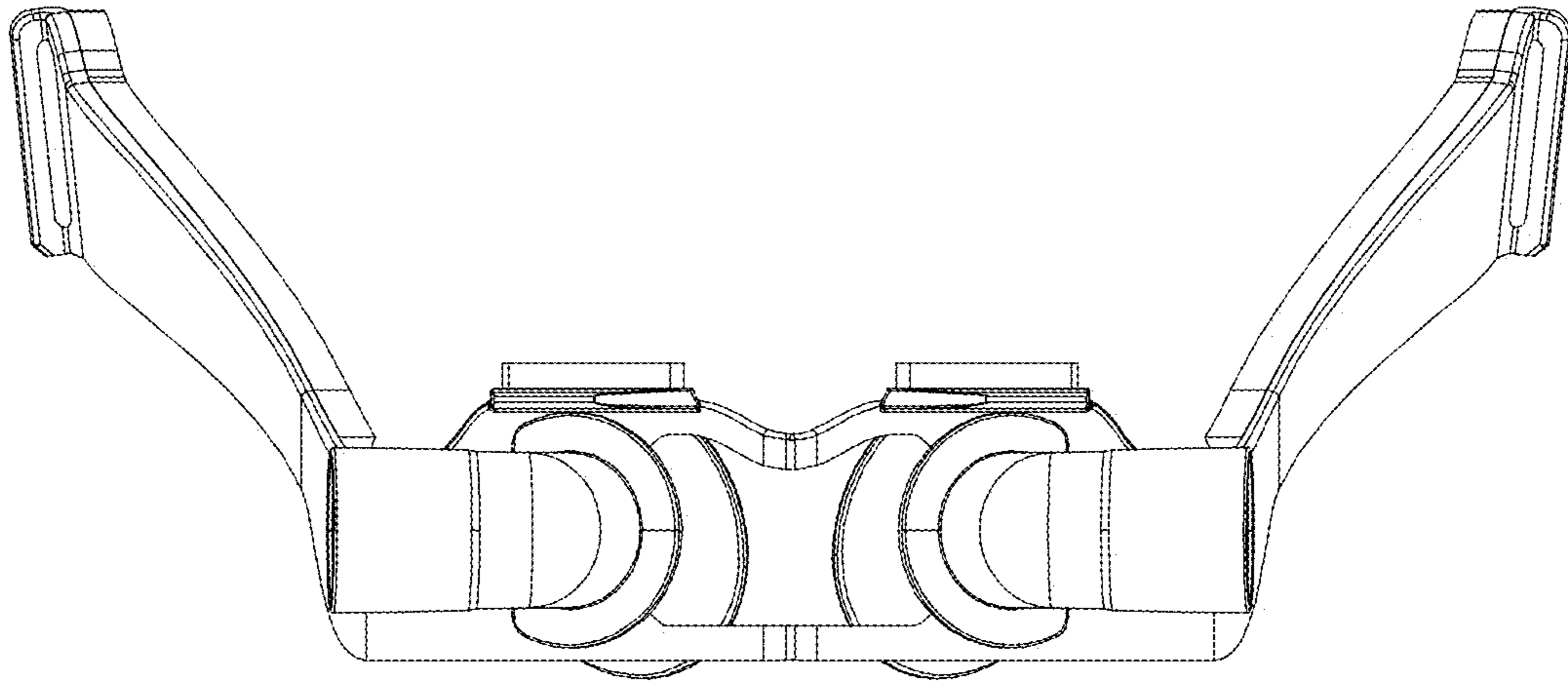


FIG. 5

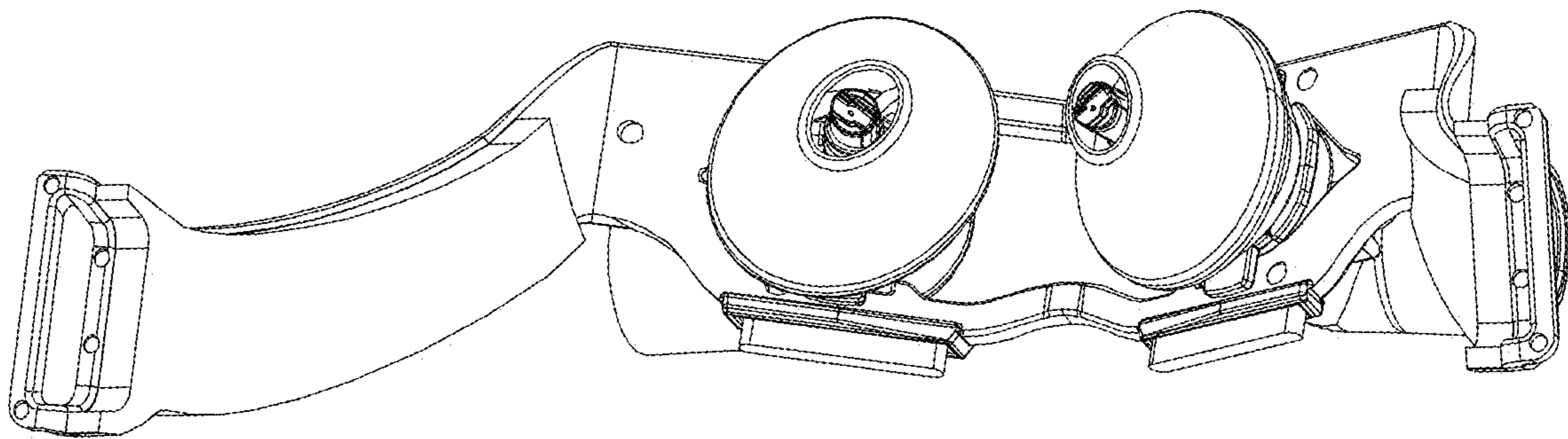


FIG. 6

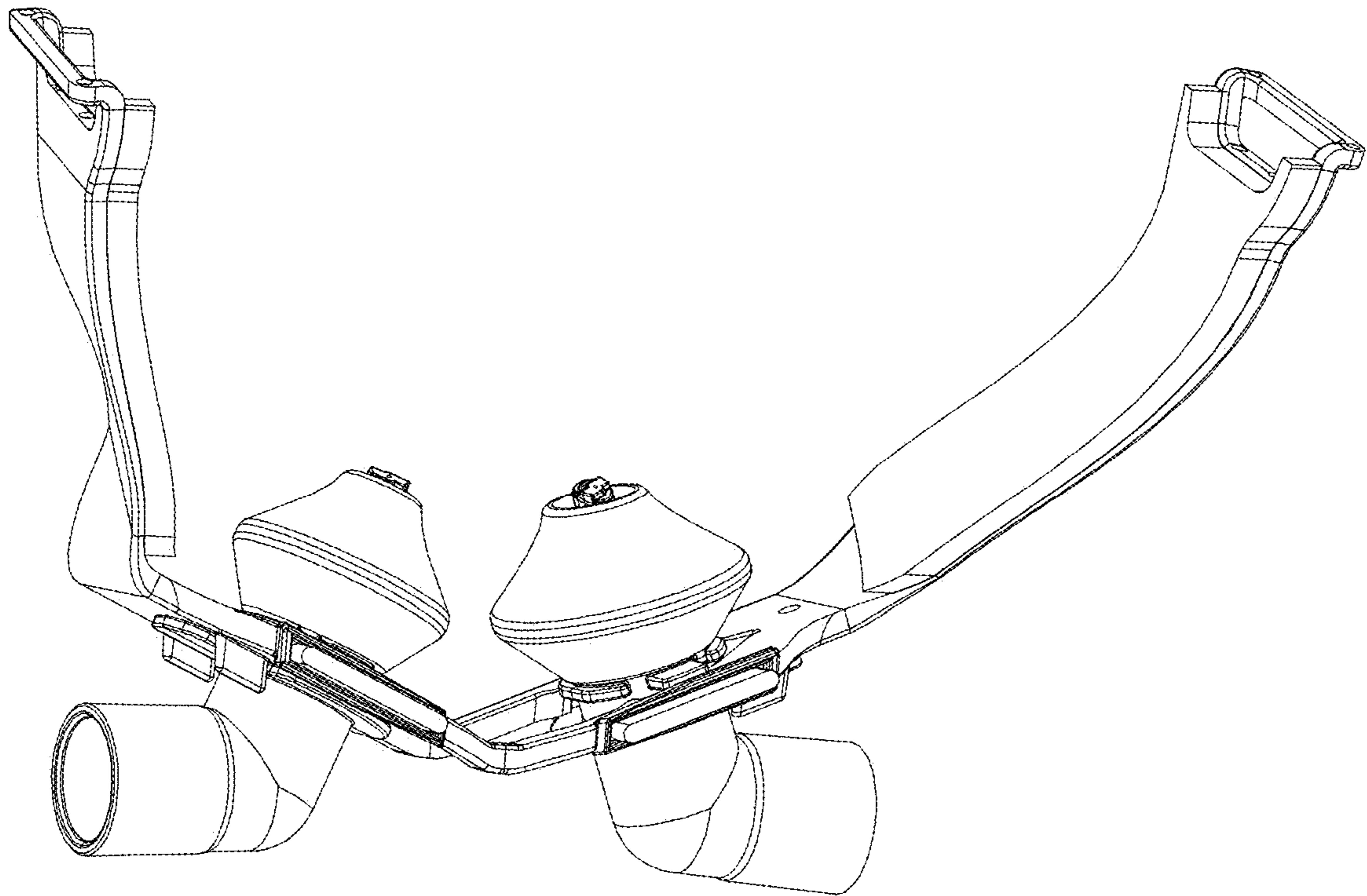


FIG. 7

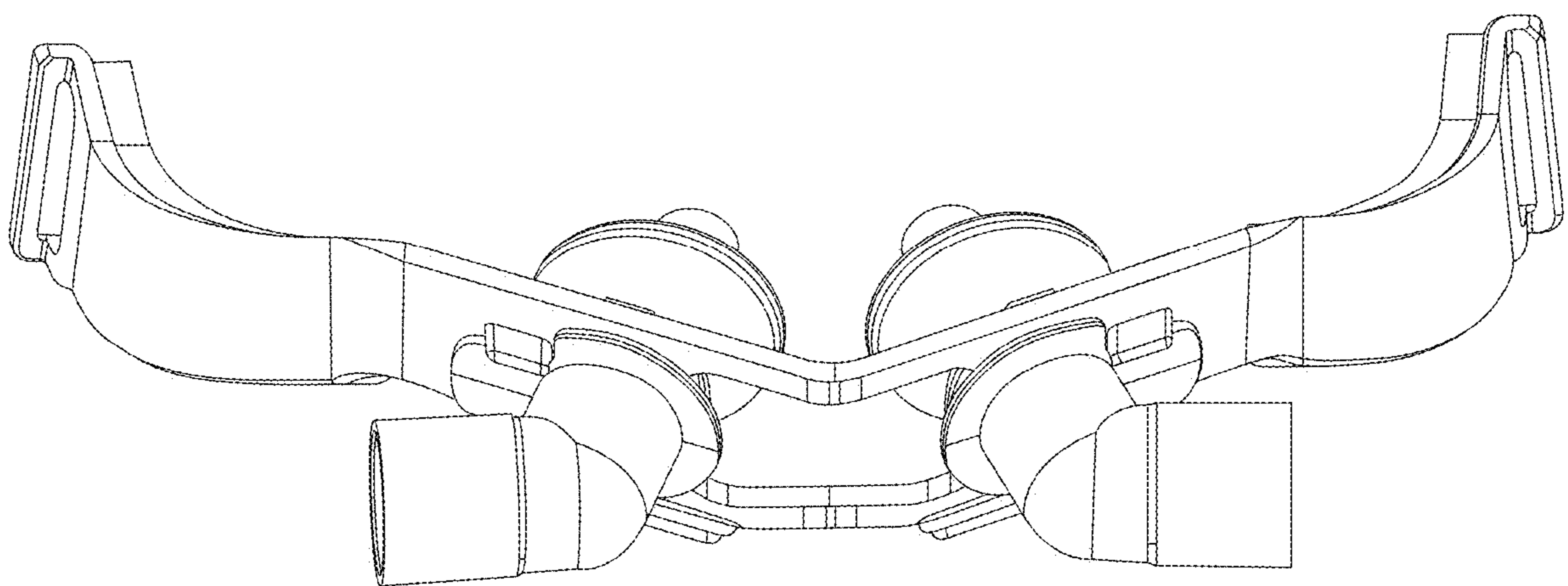


FIG. 8

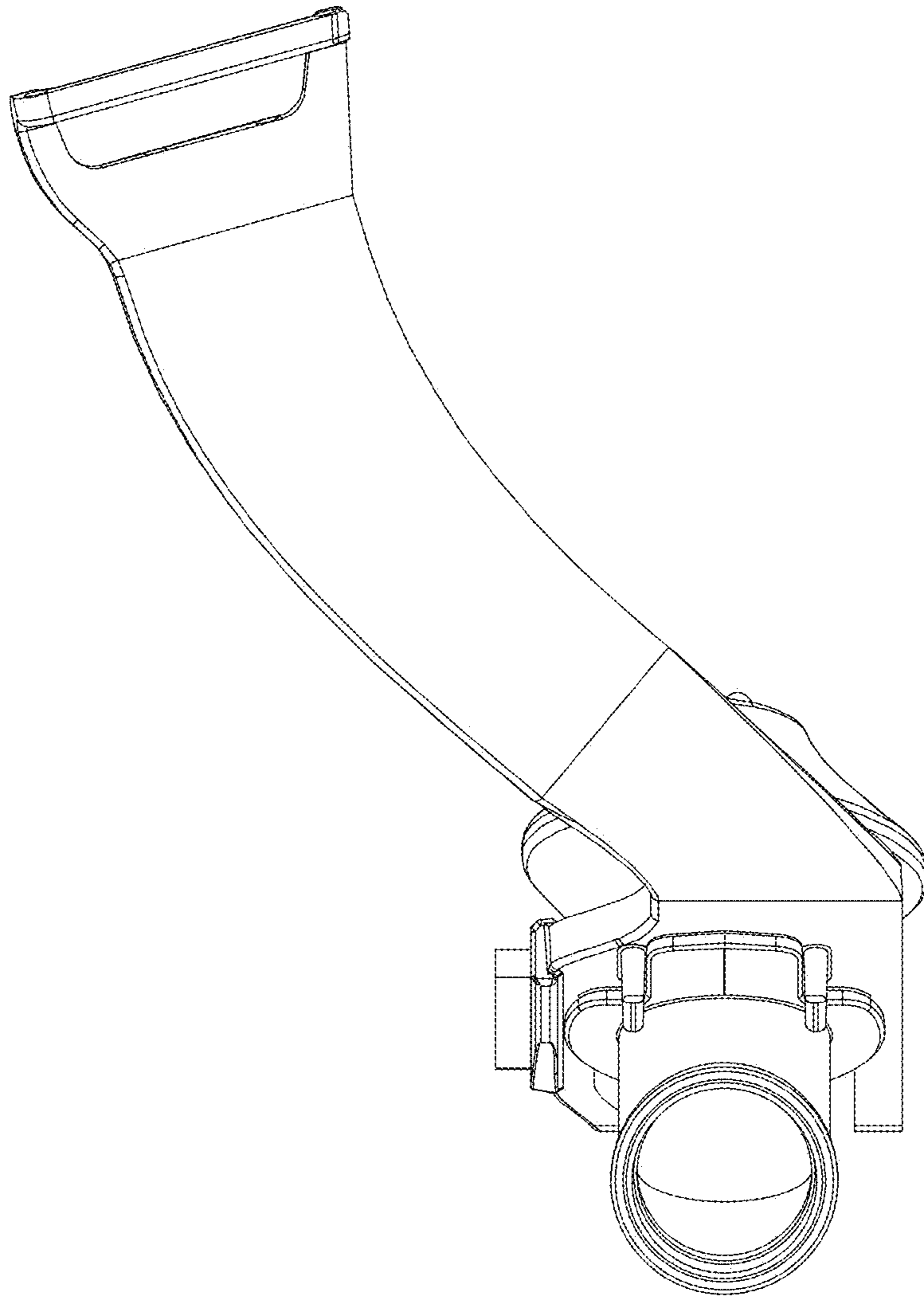


FIG. 9

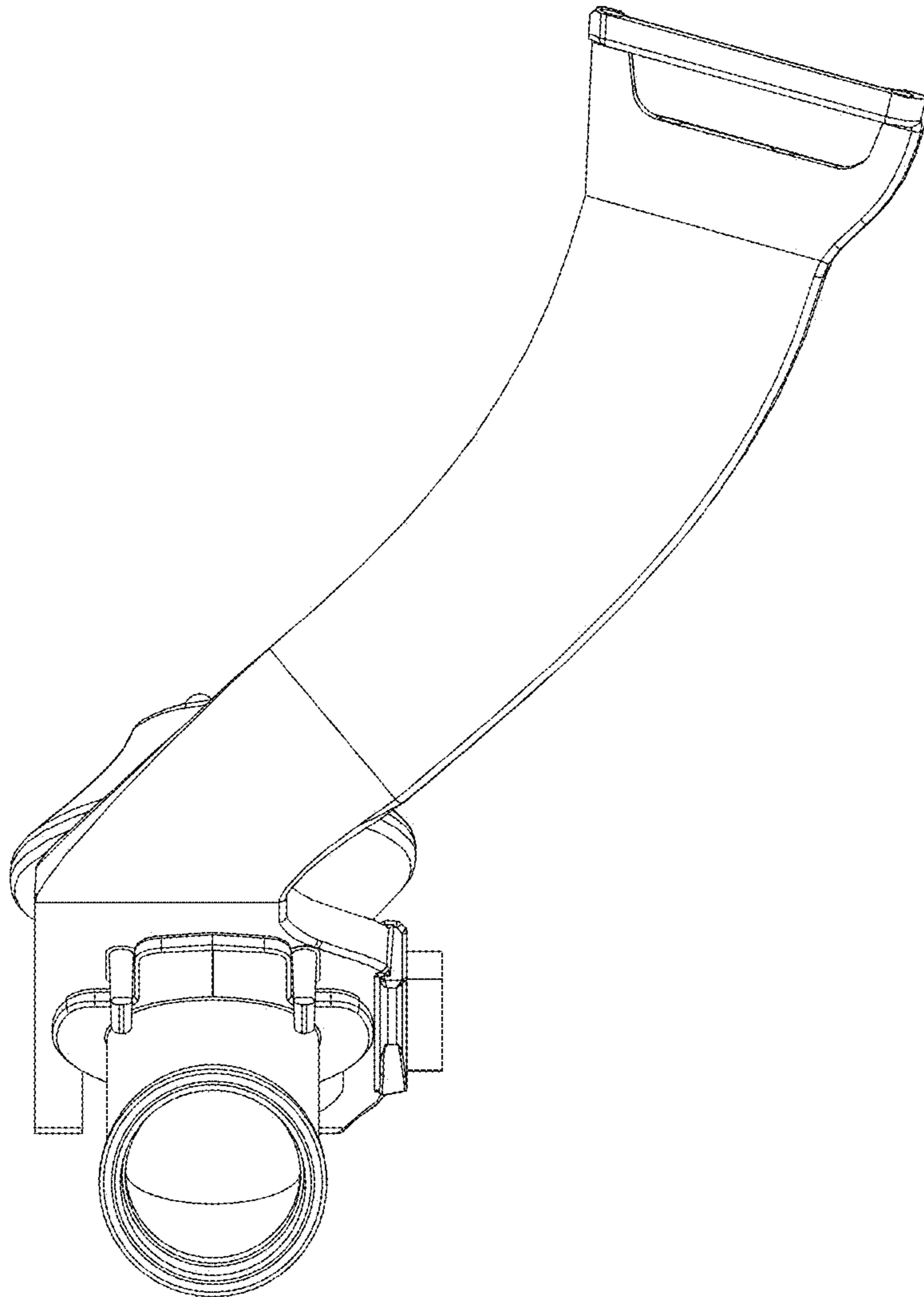


FIG. 10