



US00D894370S

(12) **United States Design Patent** (10) **Patent No.:** **US D894,370 S**  
**Lin** (45) **Date of Patent:** **\*\* Aug. 25, 2020**

(54) **ATOMIZATION CUP**  
(71) Applicant: **Hsin-Yung Lin**, Shanghai (CN)  
(72) Inventor: **Hsin-Yung Lin**, Shanghai (CN)  
(\*\*) Term: **15 Years**  
(21) Appl. No.: **29/622,430**  
(22) Filed: **Oct. 17, 2017**

(30) **Foreign Application Priority Data**

Apr. 18, 2017 (CN) ..... 2017 3 0128455

(51) **LOC (12) Cl.** ..... **29-02**

(52) **U.S. Cl.**  
USPC ..... **D24/110**

(58) **Field of Classification Search**  
USPC ..... D24/107, 108, 110, 110.4, 110.5, 111,  
D24/232; D13/118, 122, 199; D23/204,  
D23/205, 213, 366, 386  
CPC ..... B05B 3/003; B05B 3/005; B05B 3/007;  
B05B 3/02; B05B 3/04; B05B 3/06;  
B05B 3/0486; F23D 11/04; F23D 11/10;  
B22F 9/082  
See application file for complete search history.

(56) **References Cited**

**U.S. PATENT DOCUMENTS**

D242,176 S \* 11/1976 Levine ..... D24/110  
D258,910 S \* 4/1981 DeVroom ..... D24/110

D267,975 S \* 2/1983 van Amerongen ..... D23/205  
5,853,002 A \* 12/1998 Kawasaki ..... A61M 11/06  
128/200.14  
D513,782 S \* 1/2006 Lovett ..... D23/213  
D550,835 S \* 9/2007 Tanaka ..... D24/110  
D583,928 S \* 12/2008 Knoch ..... D24/110  
D594,938 S \* 6/2009 Dirneder ..... D23/262  
8,567,699 B2 \* 10/2013 Sesser ..... B05B 3/003  
239/222.11  
9,056,214 B2 \* 6/2015 Barmoav ..... A62C 31/02  
D749,718 S \* 2/2016 Noguchi ..... D24/110

\* cited by examiner

*Primary Examiner* — Derrick E Holland

(74) *Attorney, Agent, or Firm* — Klintworth & Rozenblat  
IP LLP

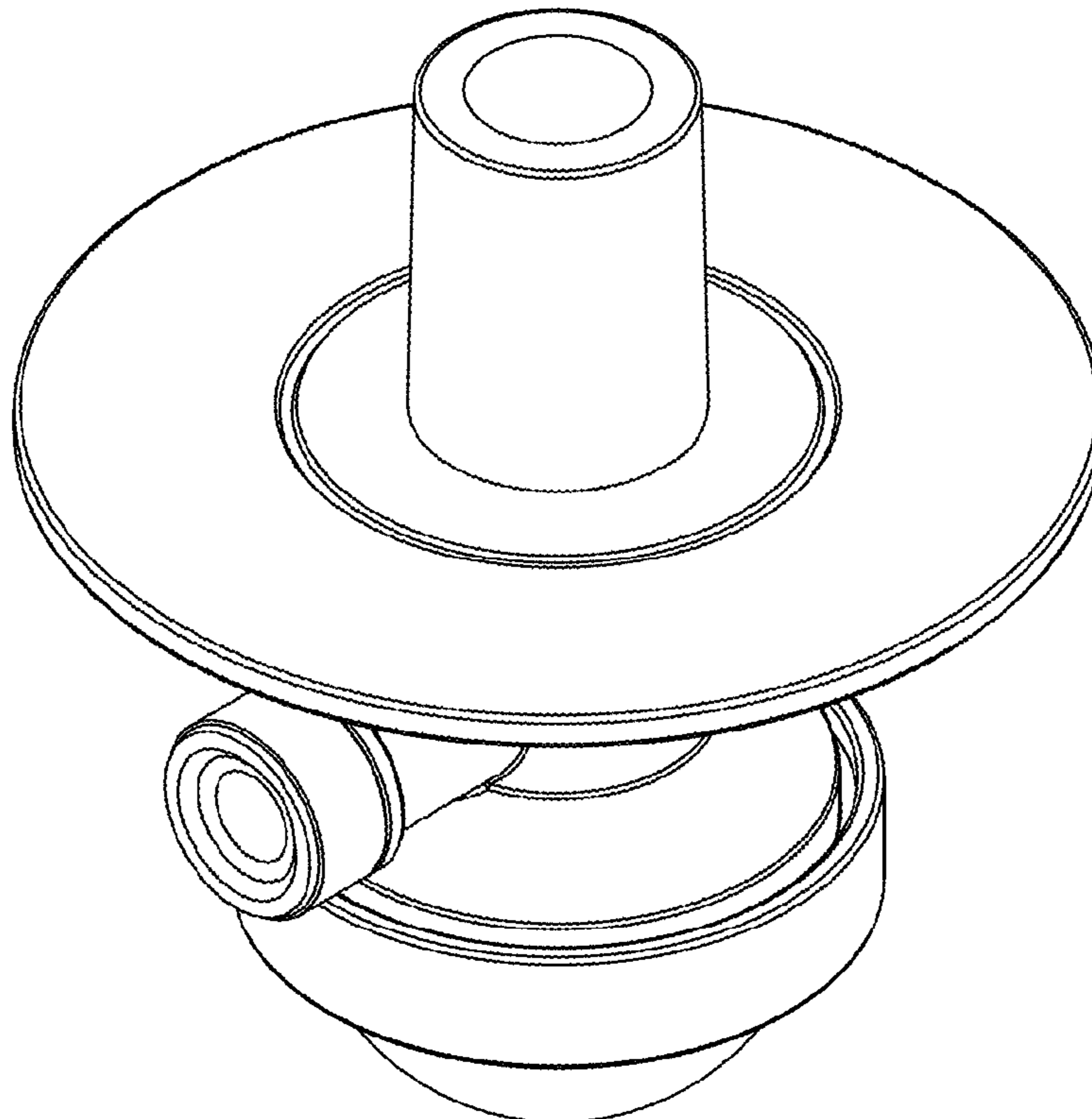
(57) **CLAIM**

I claim the ornamental design for an atomization cup, as shown and described.

**DESCRIPTION**

FIG. 1 is a stereogram view of an atomization cup according to the present design;  
FIG. 2 is another stereogram view thereof;  
FIG. 3 is a front view thereof;  
FIG. 4 is a rear view thereof;  
FIG. 5 is a left side view thereof;  
FIG. 6 is a right side view thereof;  
FIG. 7 is a top view thereof; and,  
FIG. 8 is a bottom view thereof.  
The broken lines shown represent the portions of the atomization cup that forms no part of the claimed design.

**1 Claim, 8 Drawing Sheets**



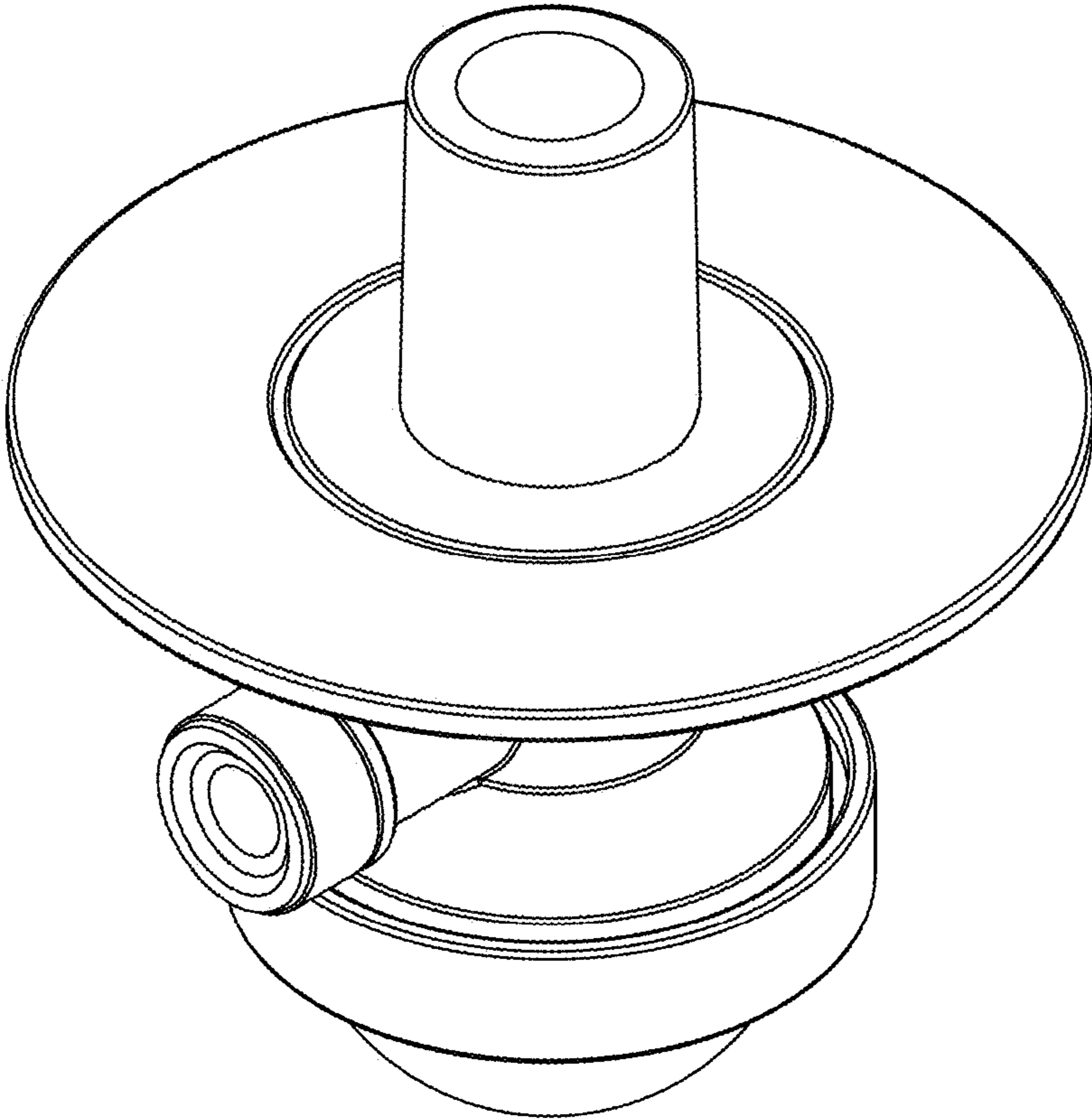


FIG. 1

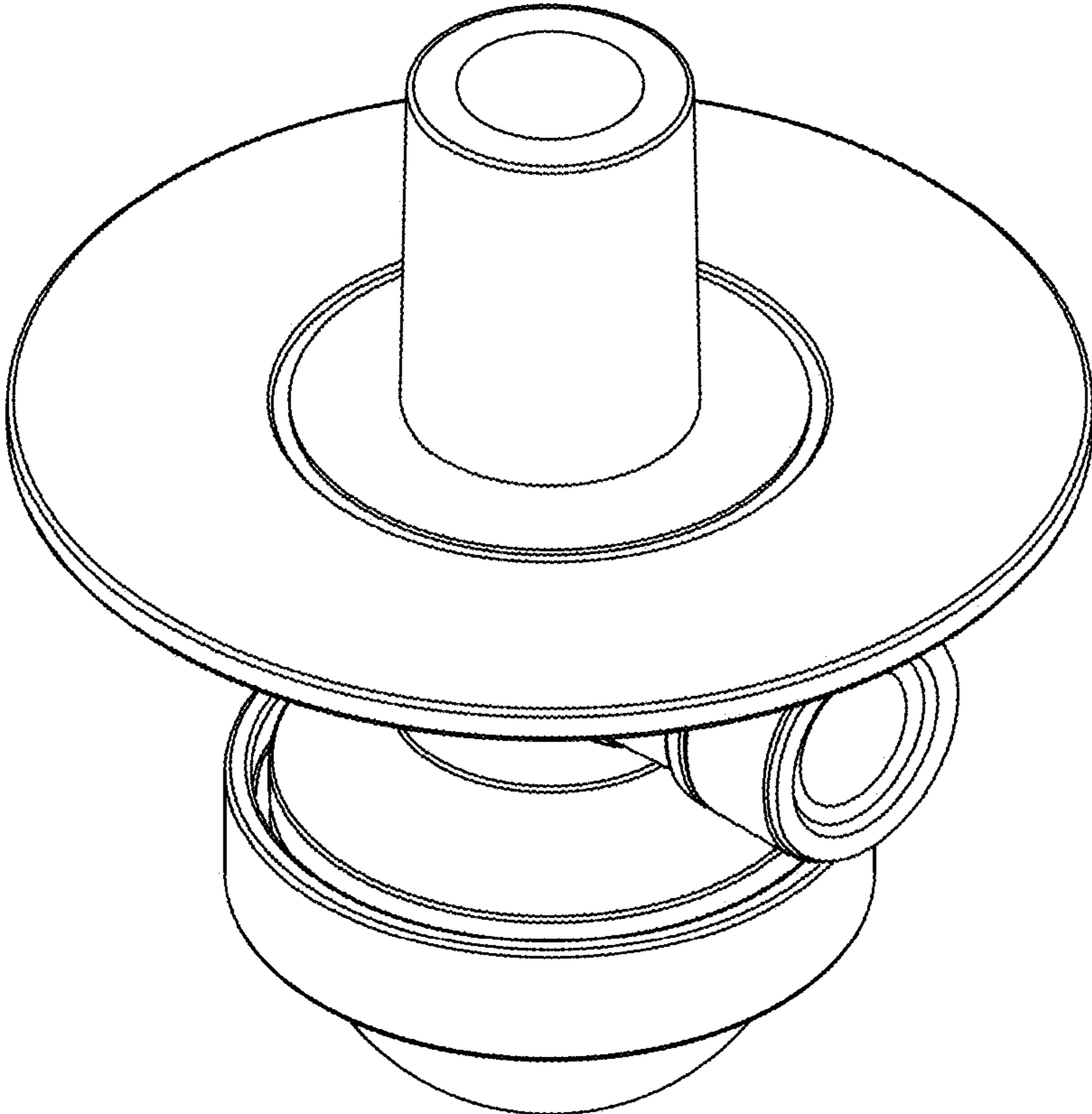


FIG. 2

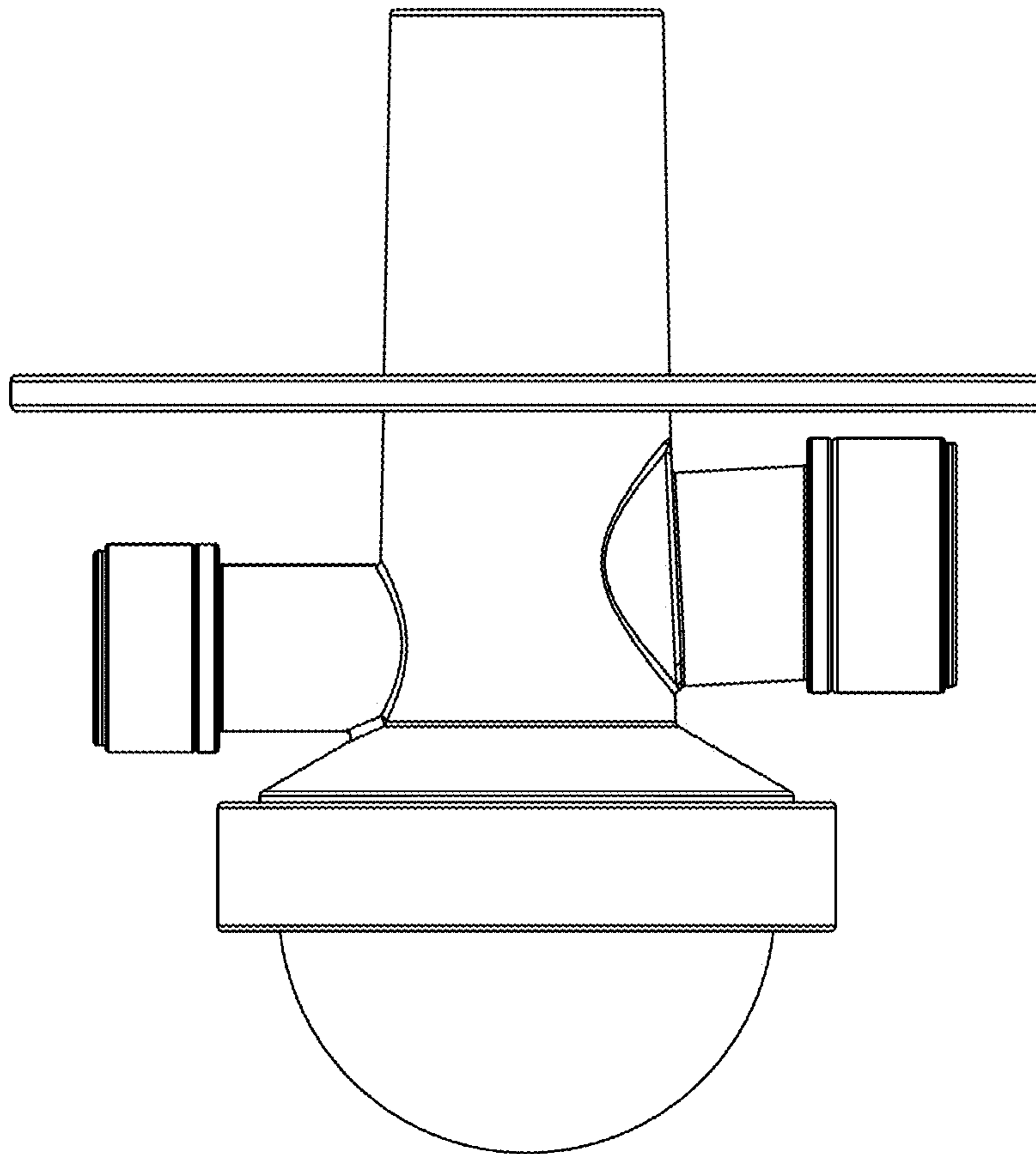


FIG. 3

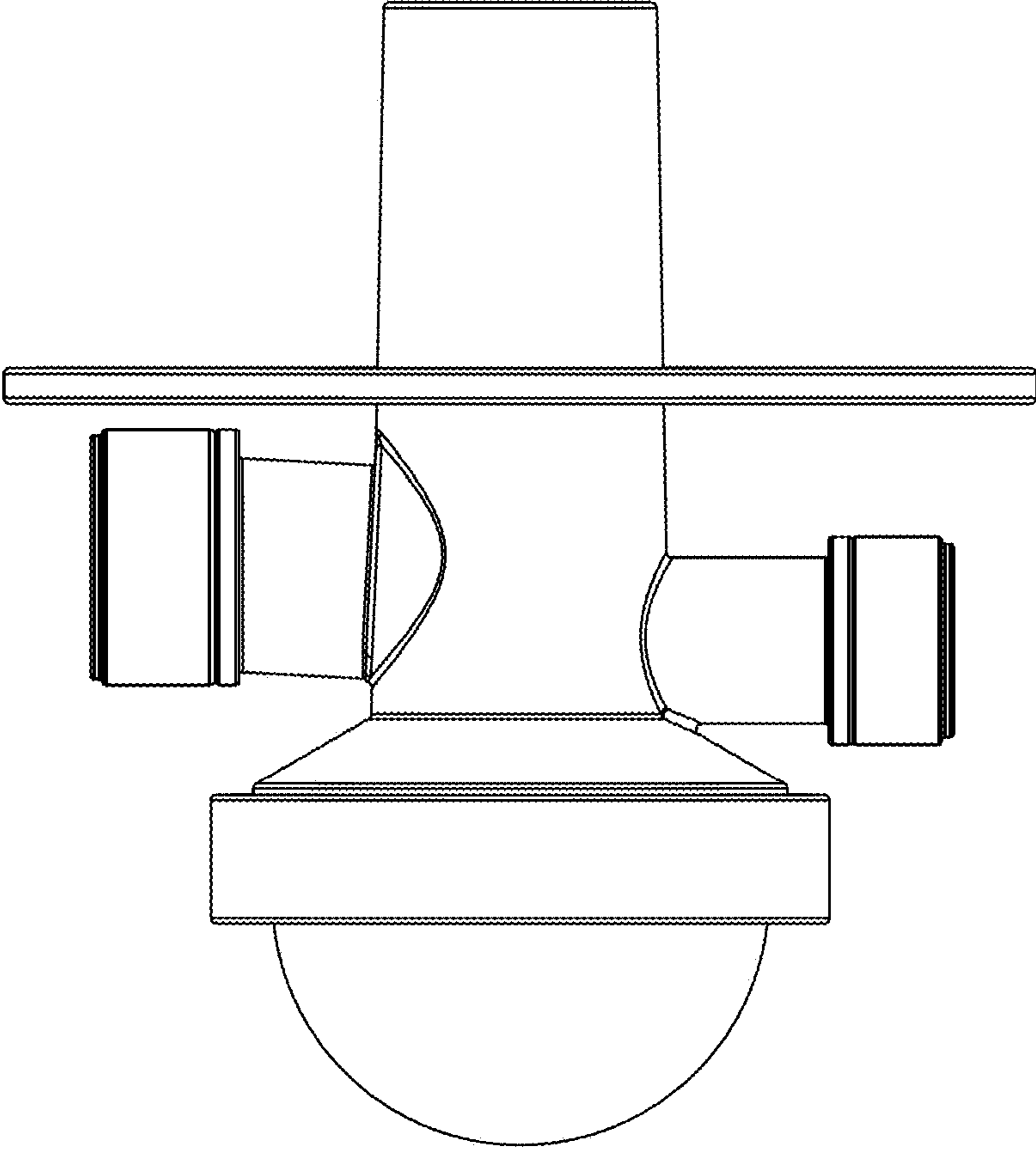


FIG. 4

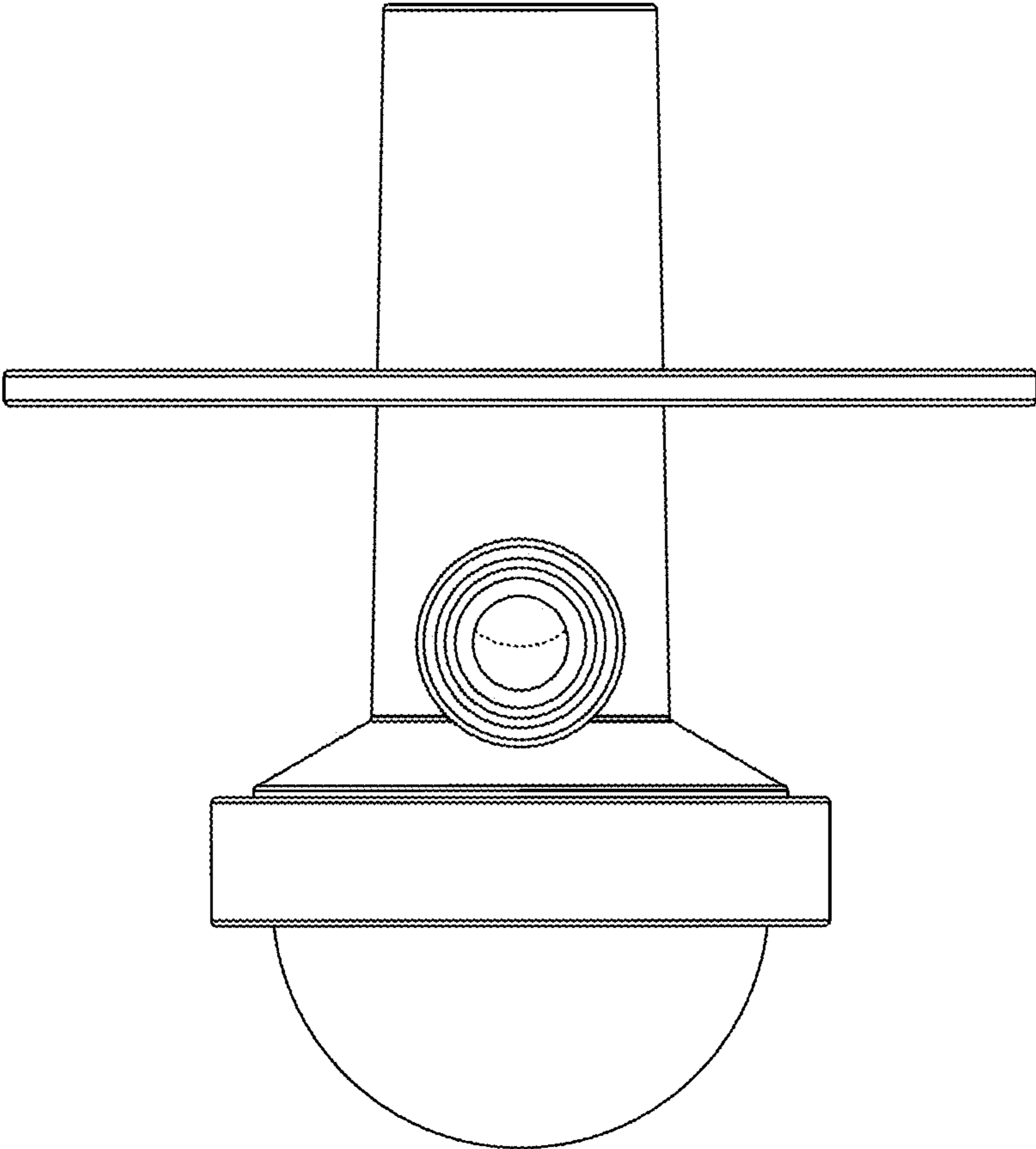


FIG. 5

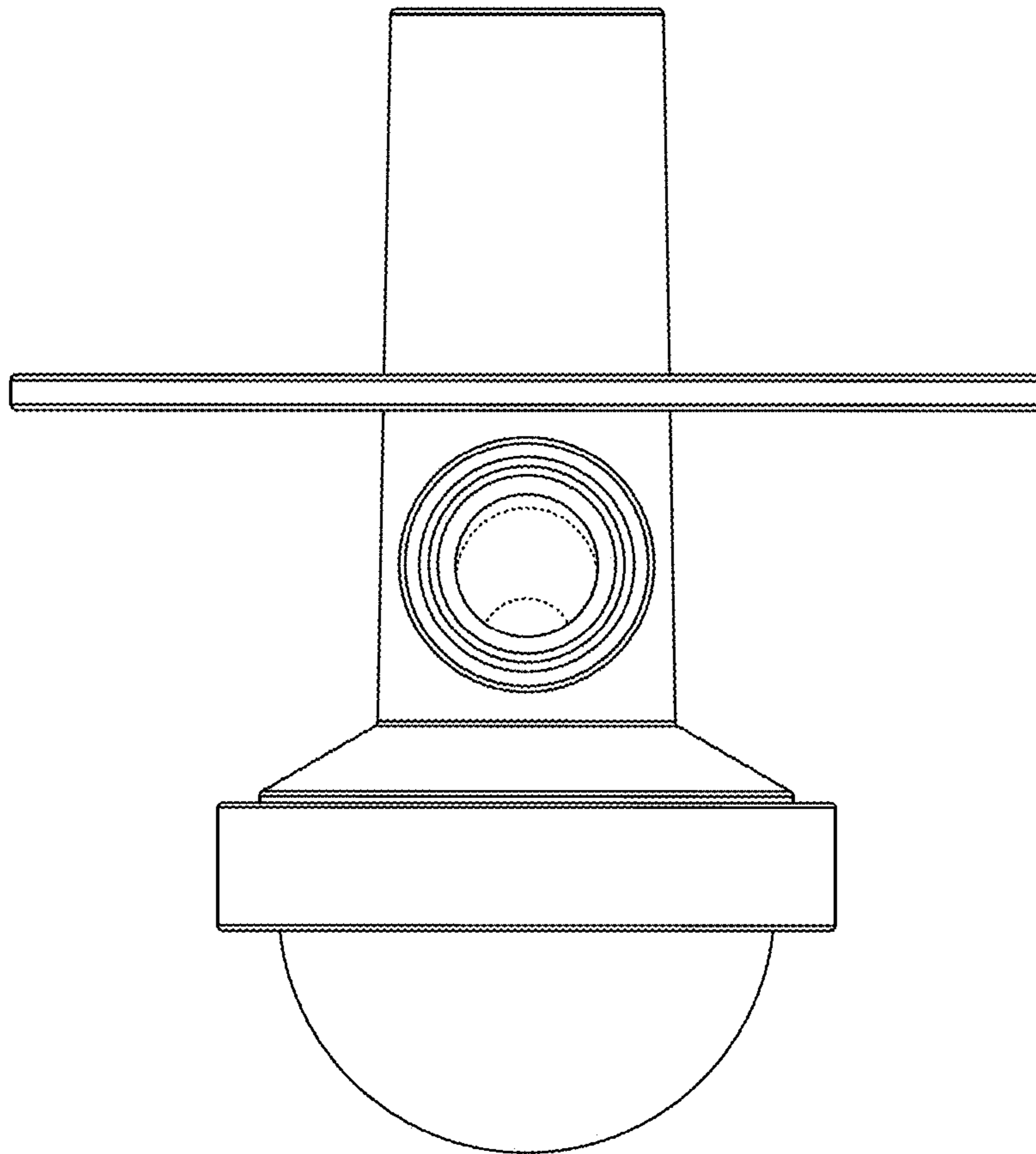


FIG. 6



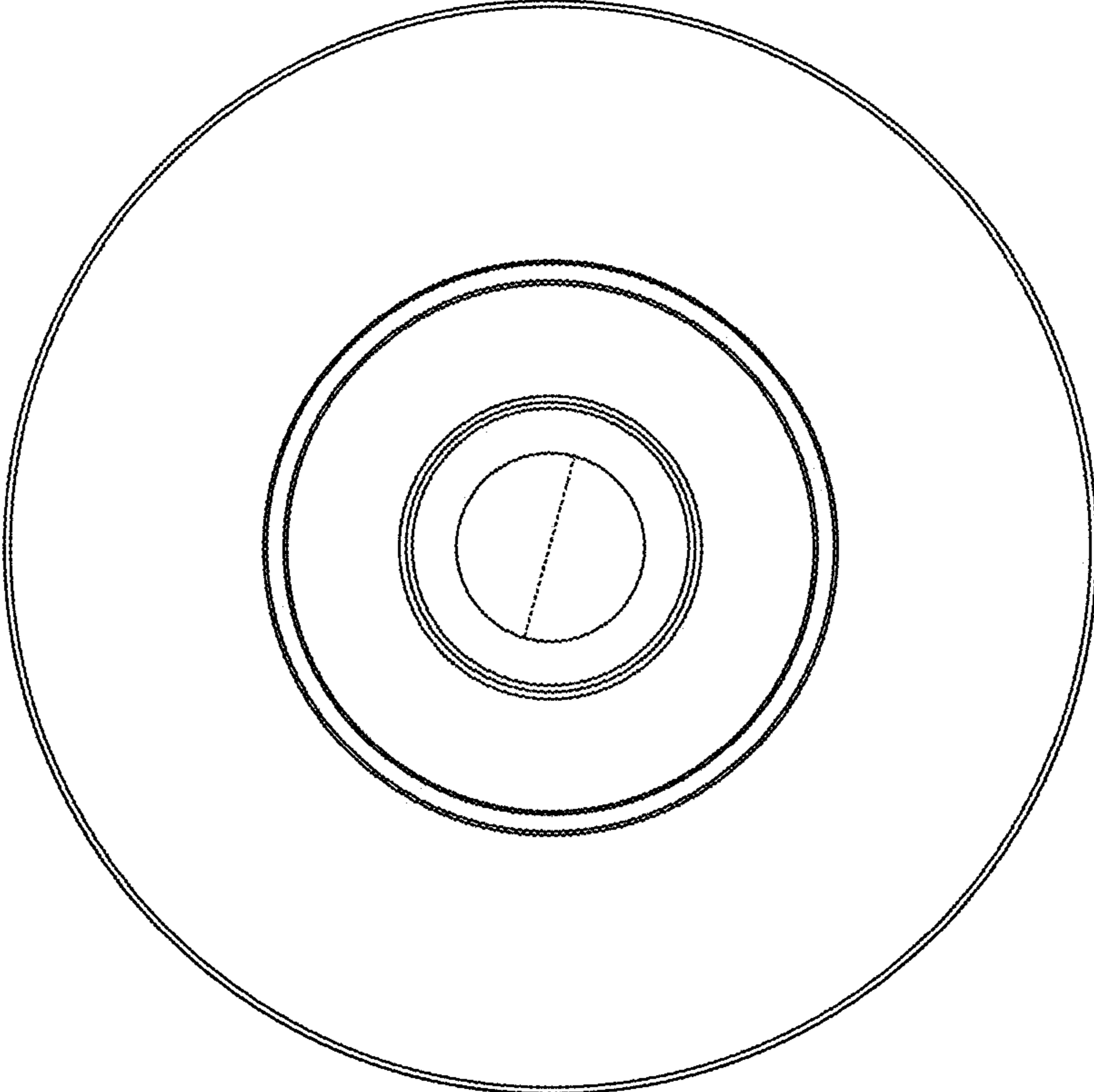


FIG. 7



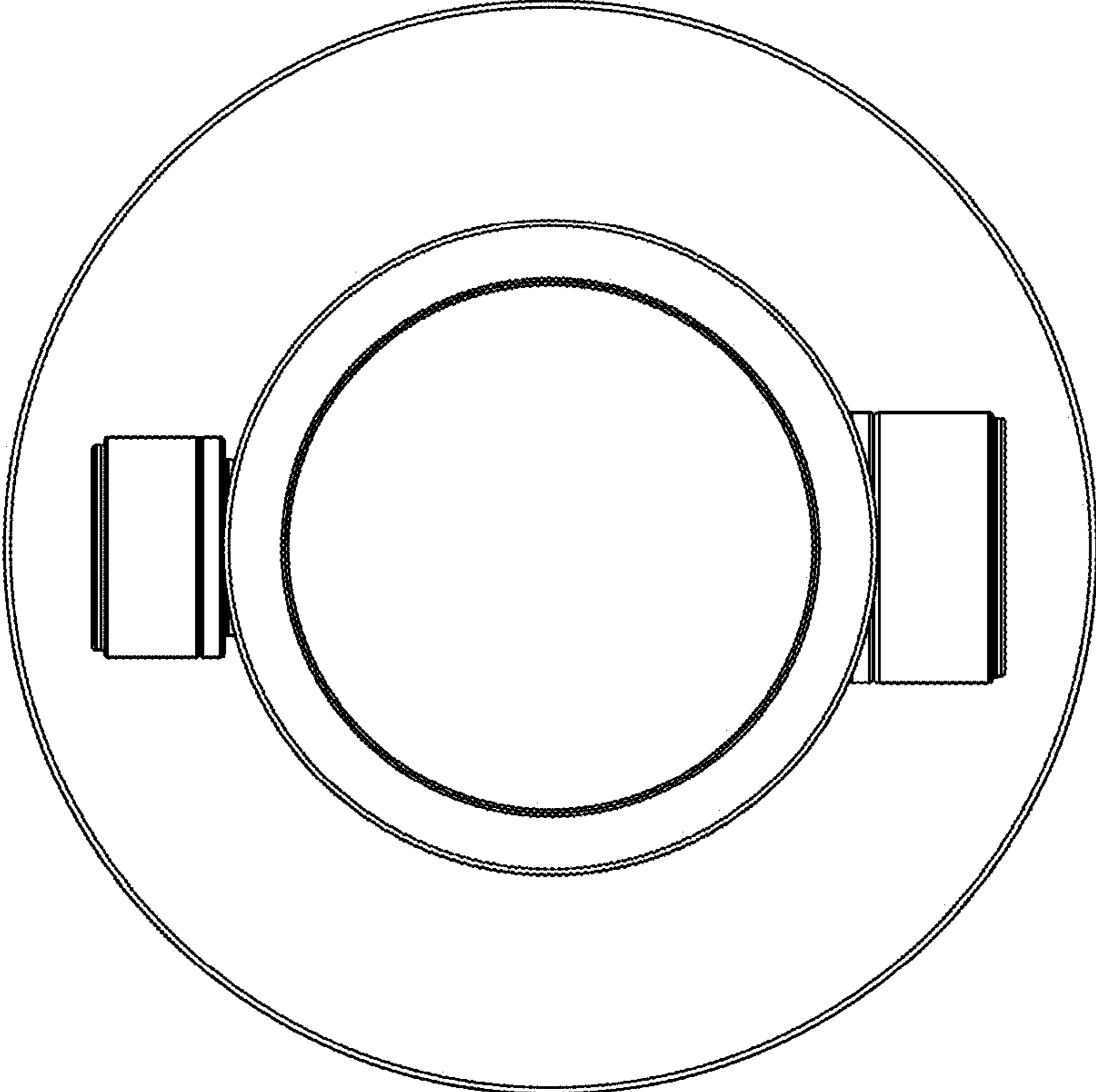


FIG. 8