

US00D894369S

(12) **United States Design Patent** (10) **Patent No.:** **US D894,369 S**  
**Salmon et al.** (45) **Date of Patent:** **\*\* Aug. 25, 2020**

(54) **BREATHING ASSISTANCE APPARATUS**  
(71) Applicant: **Fisher & Paykel Healthcare Limited,**  
Auckland (NZ)  
(72) Inventors: **Andrew Paul Maxwell Salmon,**  
Auckland (NZ); **Andre Van**  
**Schalkwyk,** Auckland (NZ); **Ella**  
**Marie Meisel,** Auckland (NZ); **Rachel**  
**Adeline Miller,** Auckland (NZ)  
(73) Assignee: **Fisher & Paykel Healthcare Limited,**  
Auckland (NZ)

D585,540 S \* 1/2009 Lithgow ..... D24/110  
D658,283 S \* 4/2012 Burz ..... D24/110  
D658,755 S \* 5/2012 Lithgow ..... D24/110  
D659,235 S \* 5/2012 Bertinetti ..... D24/110  
D696,393 S \* 12/2013 Lu ..... D24/110  
D708,733 S \* 7/2014 Ng ..... D24/110  
D798,437 S \* 9/2017 Buckley ..... D24/110  
D857,189 S \* 8/2019 Formica ..... D24/110  
10,463,827 B2 \* 11/2019 Feldhahn ..... A61M 16/0066  
10,512,702 B2 \* 12/2019 O'Donnell ..... A61M 16/1095  
2018/0147374 A1 \* 5/2018 Salmon ..... A61M 16/0003  
2018/0177967 A1 \* 6/2018 Miller ..... A61M 16/0069  
2018/0185606 A1 \* 7/2018 Van Schalkwyk .. A61M 16/024  
2019/0143069 A1 \* 5/2019 Potharaju ..... A61M 16/0066  
2020/0114114 A1 \* 4/2020 Harrington ..... F24F 6/043

(\*\*) Term: **15 Years**

\* cited by examiner

(21) Appl. No.: **29/588,762**

*Primary Examiner* — Lilyana Bekic

(22) Filed: **Dec. 22, 2016**

(74) *Attorney, Agent, or Firm* — Knobbe, Martens, Olson & Bear LLP

(51) **LOC (12) Cl.** ..... **24-04**

(52) **U.S. Cl.**  
USPC ..... **D24/110**

(57) **CLAIM**

The ornamental design for a breathing assistance apparatus, as shown and described.

(58) **Field of Classification Search**  
USPC ..... D24/107–108, 110, 164; D23/356  
CPC ..... A61M 16/16; A61M 16/0683; A61M  
16/0057; A61M 16/06  
See application file for complete search history.

**DESCRIPTION**

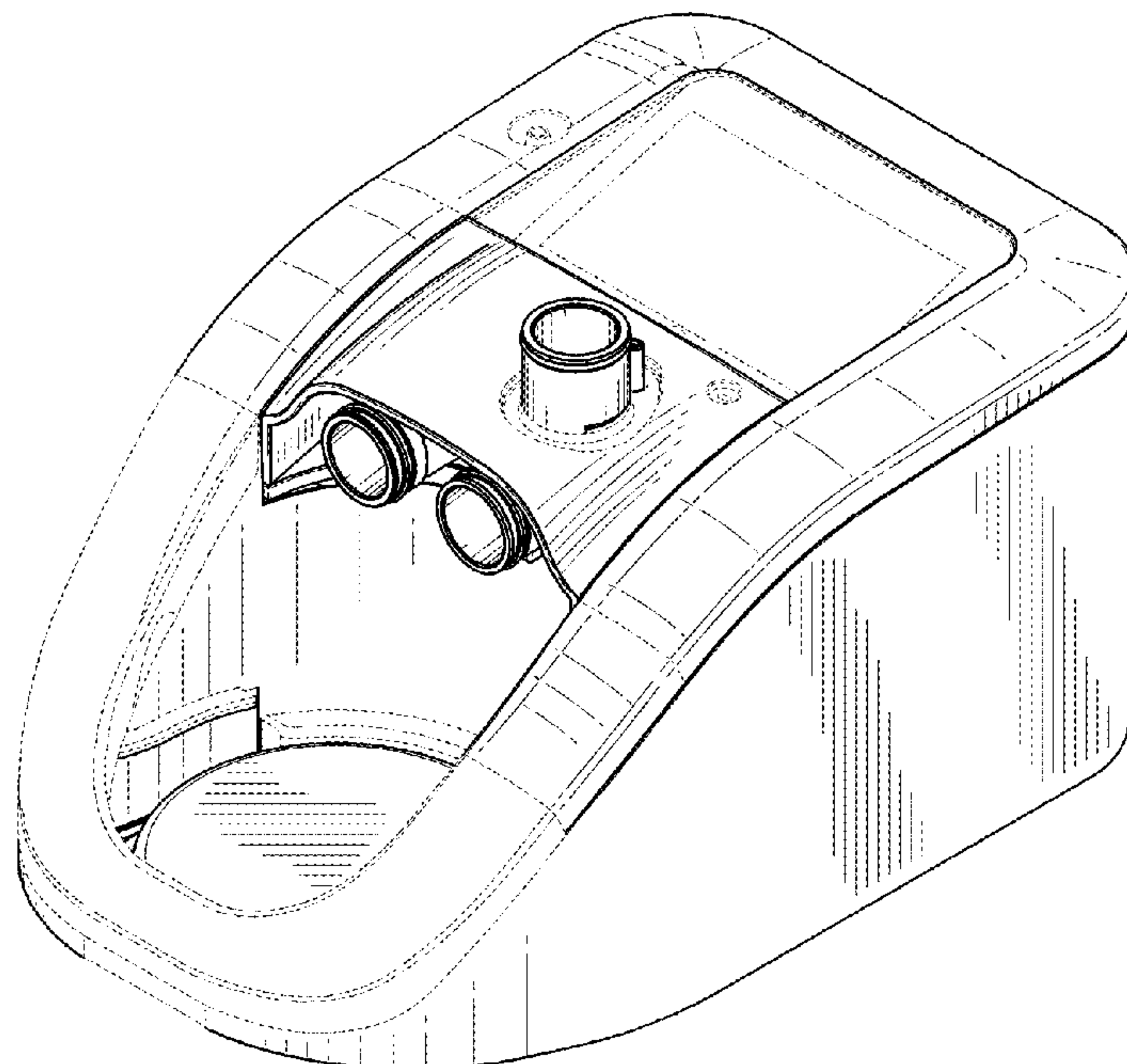
FIG. 1 is a front, top, right side perspective view of a breathing assistance apparatus showing our new design; FIG. 2 is a front, bottom, left side perspective view thereof; FIG. 3 is a front view thereof; FIG. 4 is a rear view thereof; FIG. 5 is a left side view thereof; FIG. 6 is a right side view thereof; FIG. 7 is a top view thereof; and, FIG. 8 is a bottom view thereof. The broken lines illustrate portions of the breathing assistance apparatus that form no part of the claimed design.

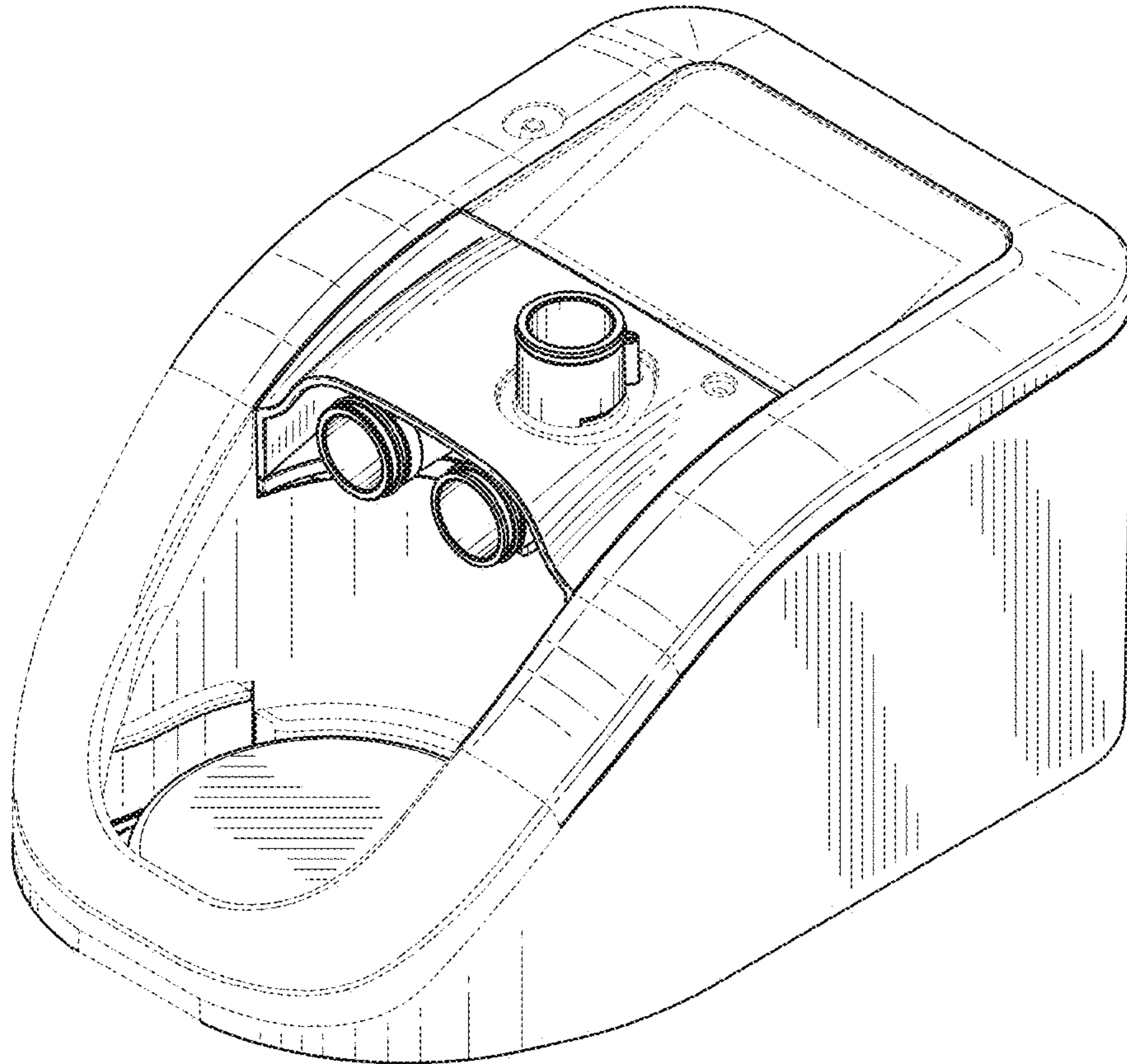
(56) **References Cited**

U.S. PATENT DOCUMENTS

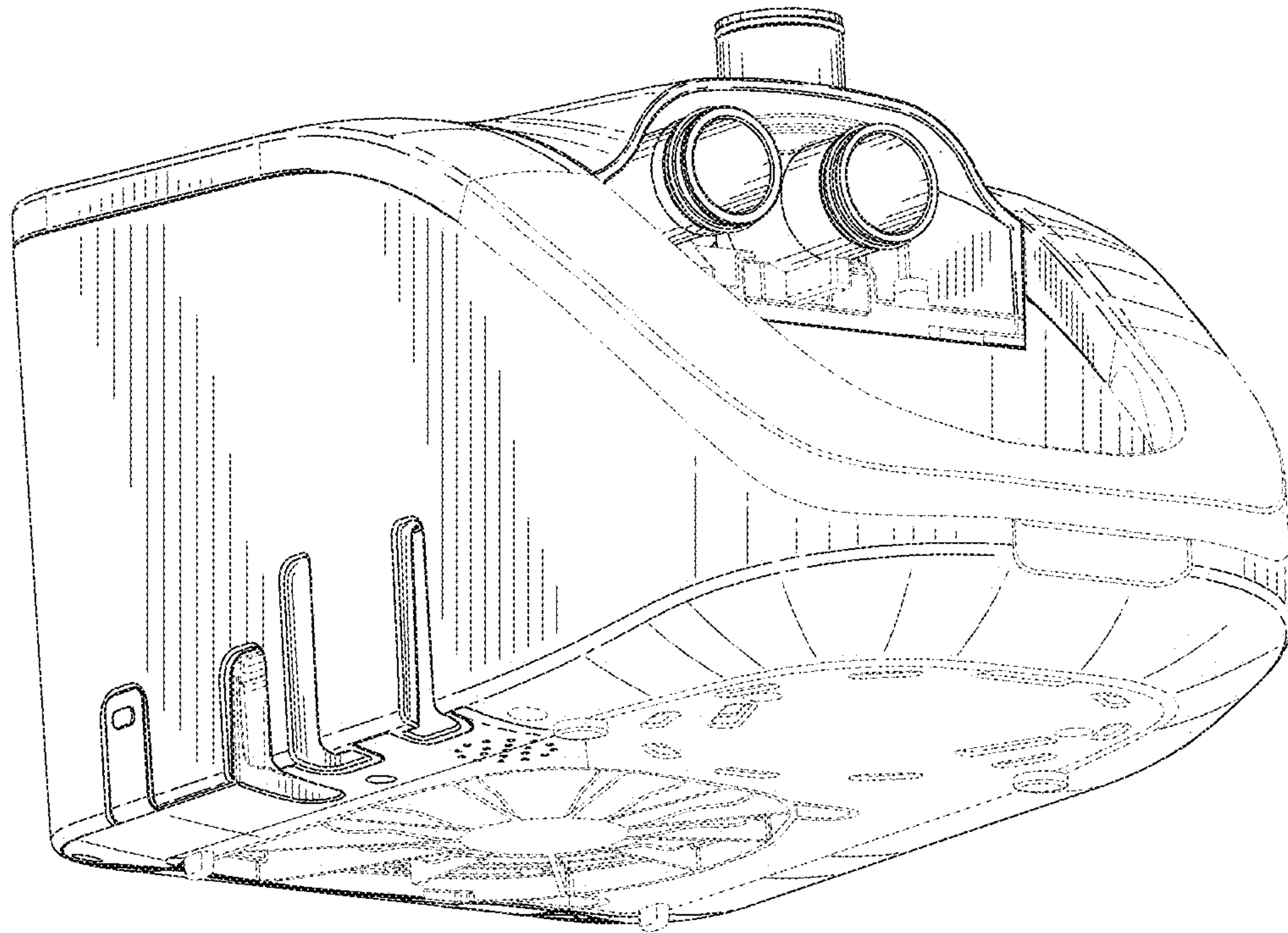
D467,335 S \* 12/2002 Lithgow ..... D24/110  
D468,011 S \* 12/2002 Lithgow ..... D24/110  
D493,520 S \* 7/2004 Bertinetti ..... D24/110  
D498,528 S \* 11/2004 Van Brunt ..... D24/110  
D504,945 S \* 5/2005 Van Brunt ..... D24/110  
7,111,624 B2 \* 9/2006 Thudor ..... A61M 16/08  
128/203.16  
D560,795 S \* 1/2008 Lithgow ..... D24/110

**1 Claim, 8 Drawing Sheets**



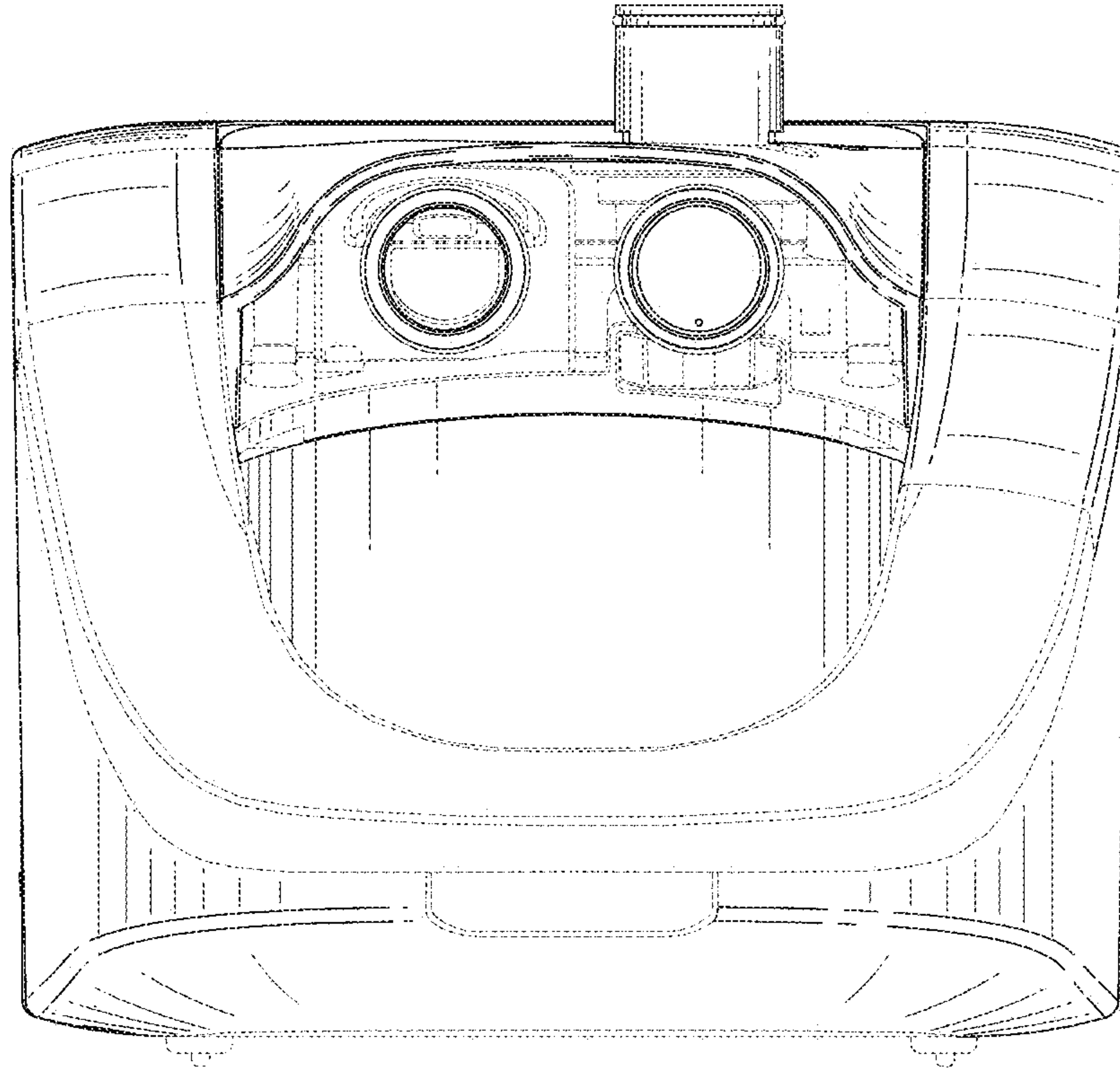


*FIG. 1*

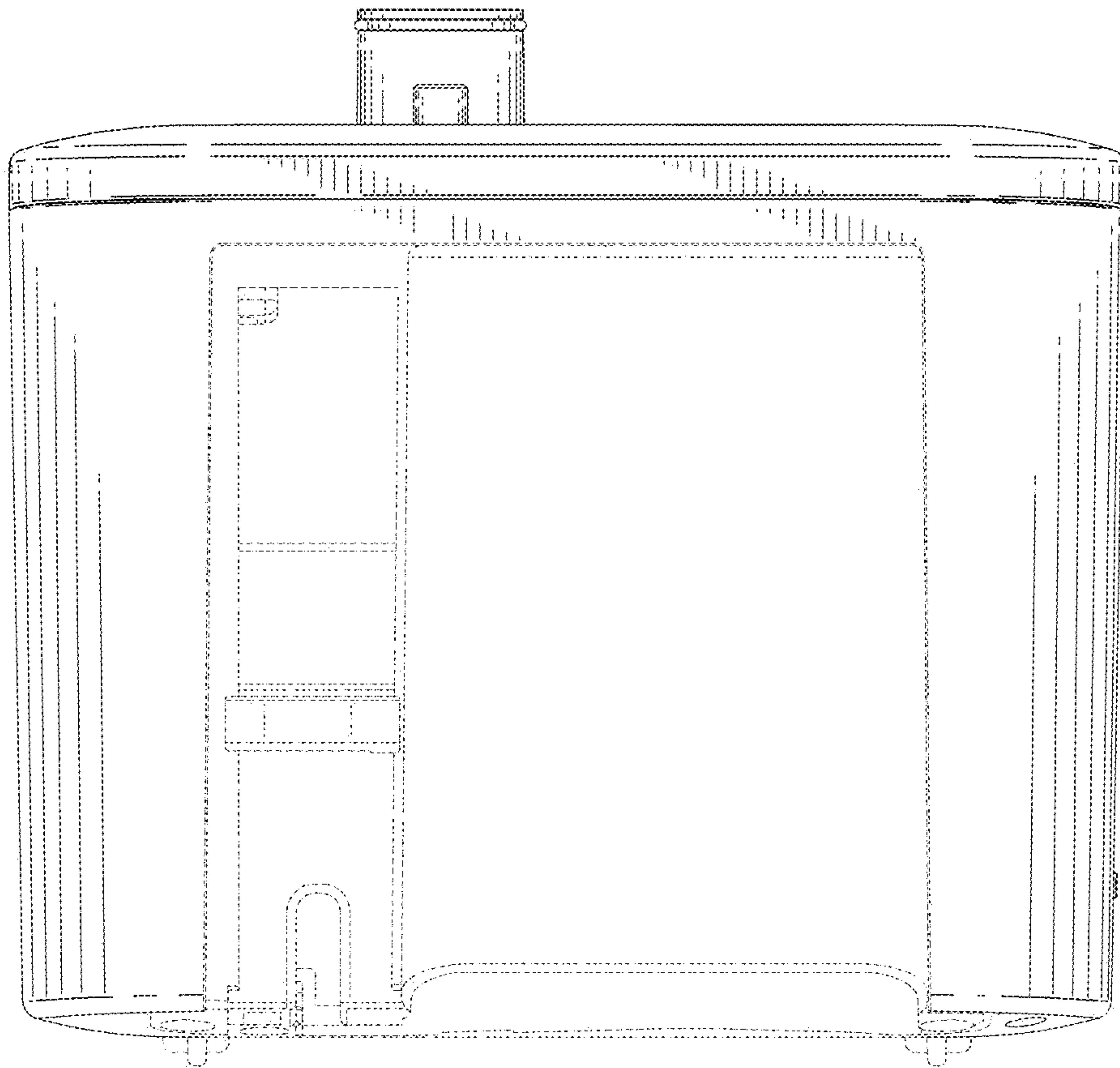


*FIG. 2*





*FIG. 3*



*FIG. 4*

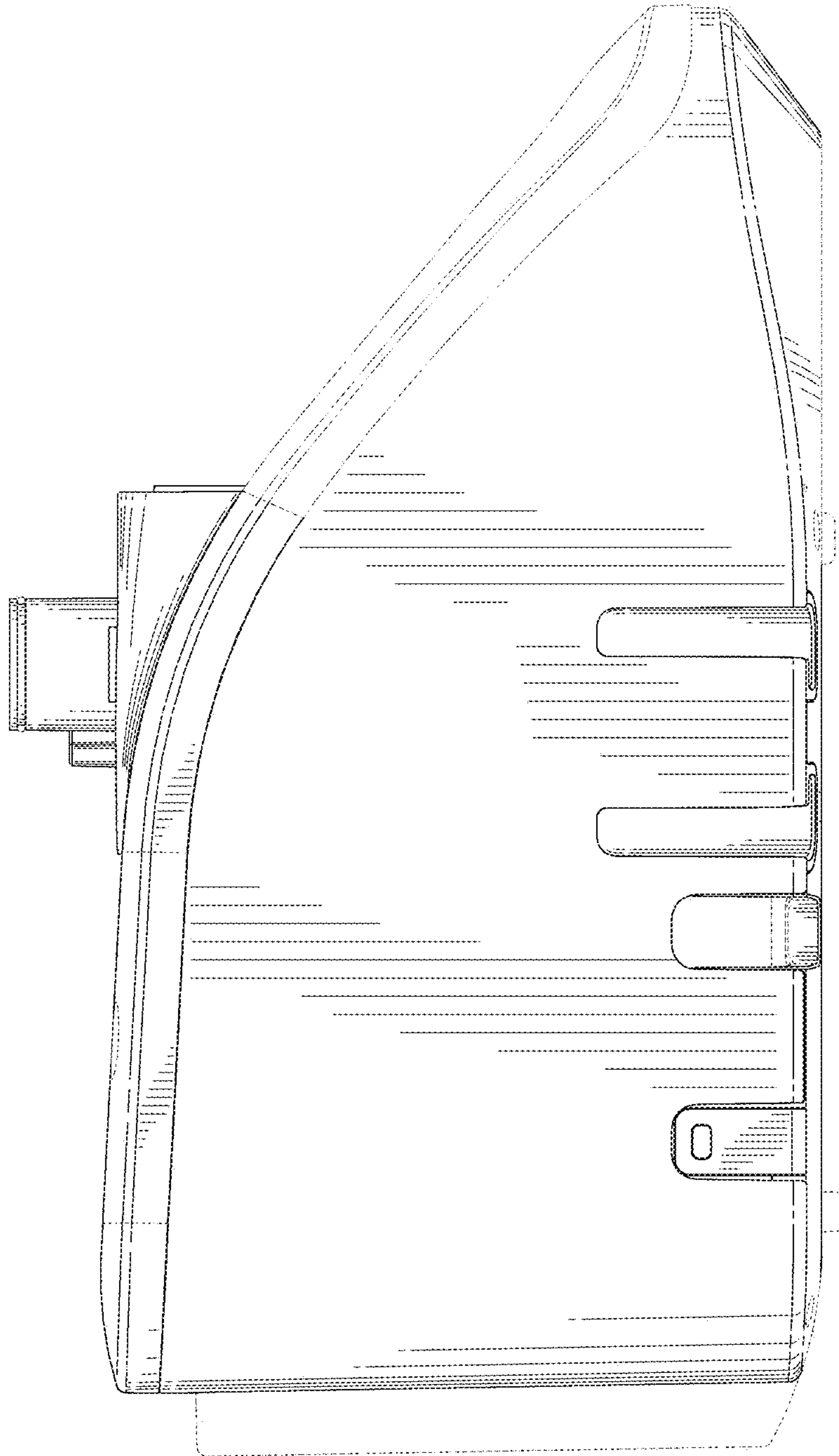


FIG. 5

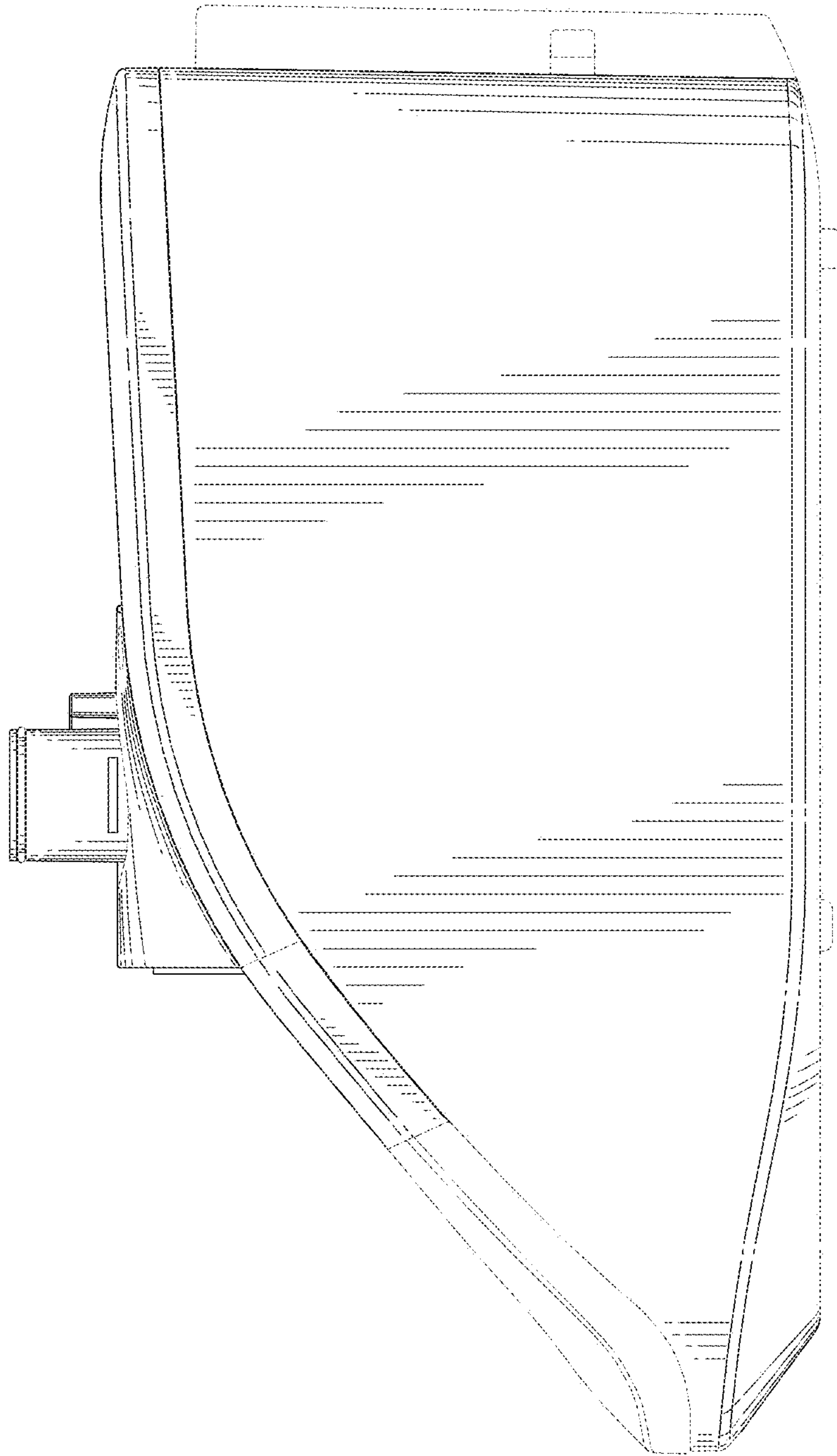


FIG. 6

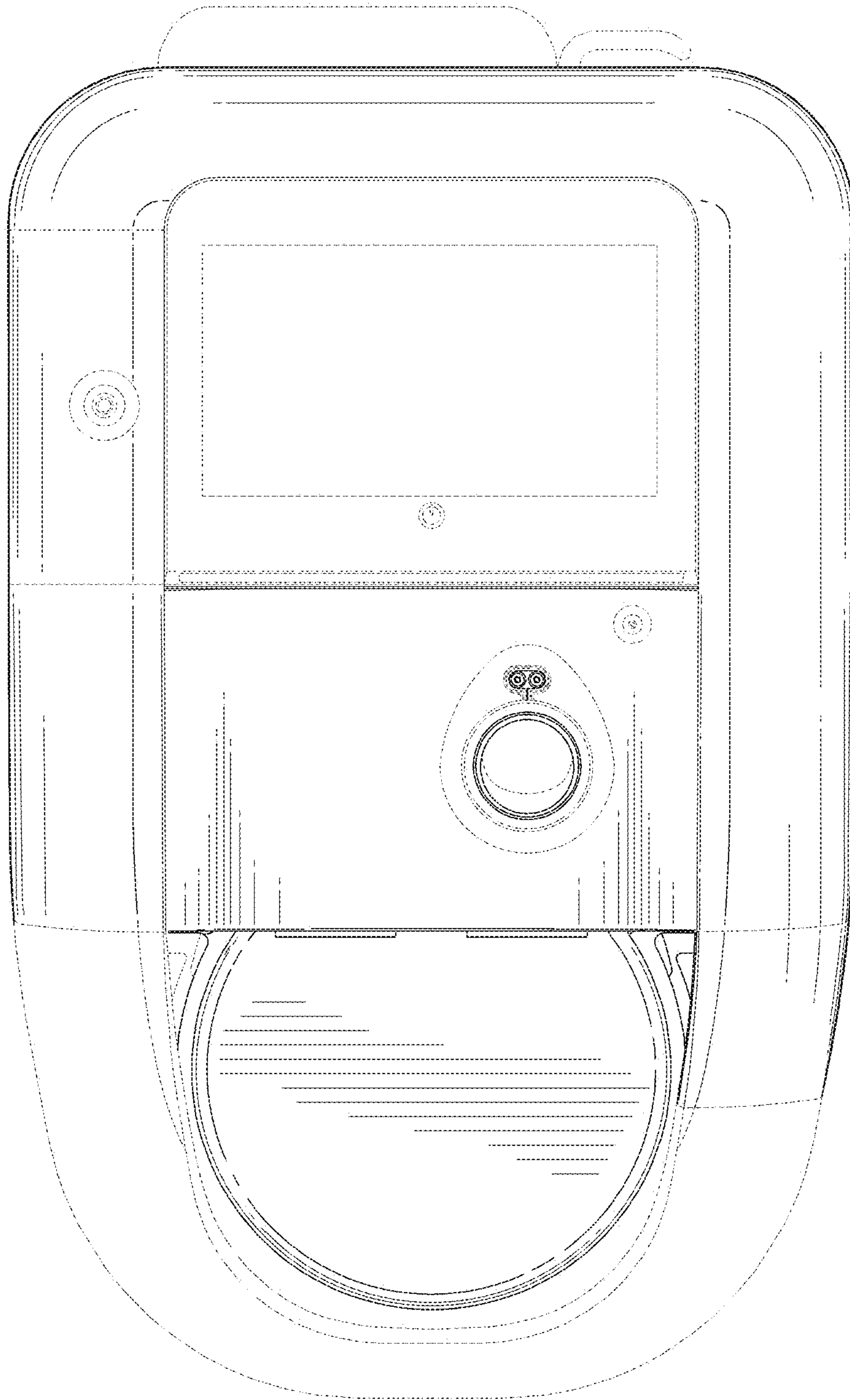


FIG. 7



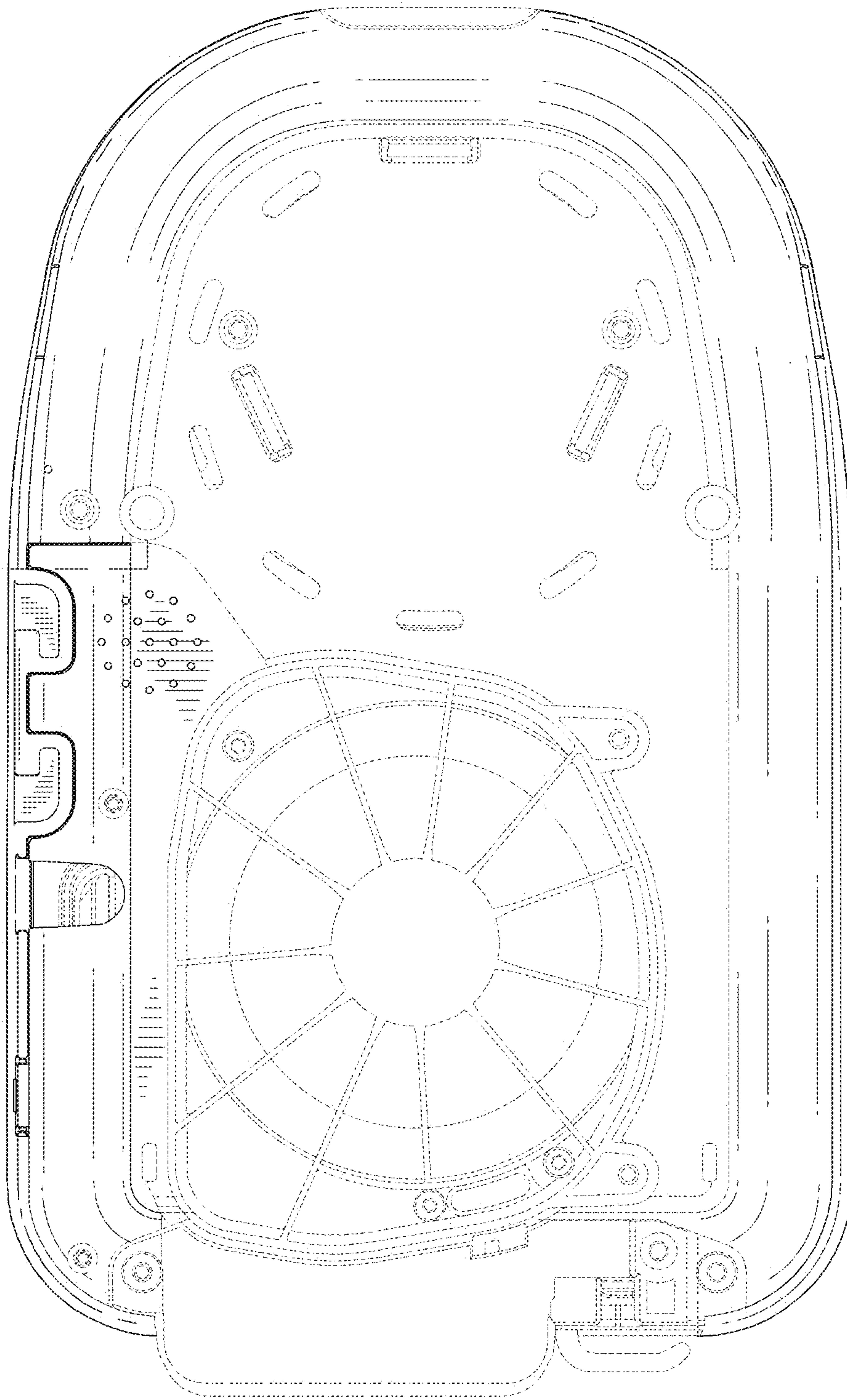


FIG. 8