



US00D894368S

(12) **United States Design Patent** (10) **Patent No.:** **US D894,368 S**  
**Lee** (45) **Date of Patent:** **\*\* Aug. 25, 2020**

(54) **CONTROLLER FOR SKIN APPARATUS**

(71) Applicant: **BOMTECH ELECTRONICS Co., Ltd.**, Seoul (KR)

(72) Inventor: **Jong-dae Lee**, Seoul (KR)

(73) Assignee: **BOMTECH ELECTRONICS Co., Ltd.**, Seoul (KR)

(\*\*) Term: **15 Years**

(21) Appl. No.: **29/640,174**

(22) Filed: **Mar. 12, 2018**

(30) **Foreign Application Priority Data**

Sep. 11, 2017 (KR) ..... 30-2017-0042552

(51) **LOC (12) Cl.** ..... **24-01**

(52) **U.S. Cl.**  
USPC ..... **D24/107; D24/200**

(58) **Field of Classification Search**  
USPC ..... D24/107-109, 127-130, 220, 231,  
D24/185-186, 200, 111, 144, 146  
(Continued)

(56) **References Cited**

U.S. PATENT DOCUMENTS

D425,988 S \* 5/2000 Frank ..... D24/152  
D532,906 S \* 11/2006 Kim ..... D24/152  
(Continued)

FOREIGN PATENT DOCUMENTS

CN 304777227 \* 8/2018  
EM 004695849-0001 \* 2/2018

*Primary Examiner* — Lilyana Bekic

(74) *Attorney, Agent, or Firm* — Osha Liang LLP

(57) **CLAIM**

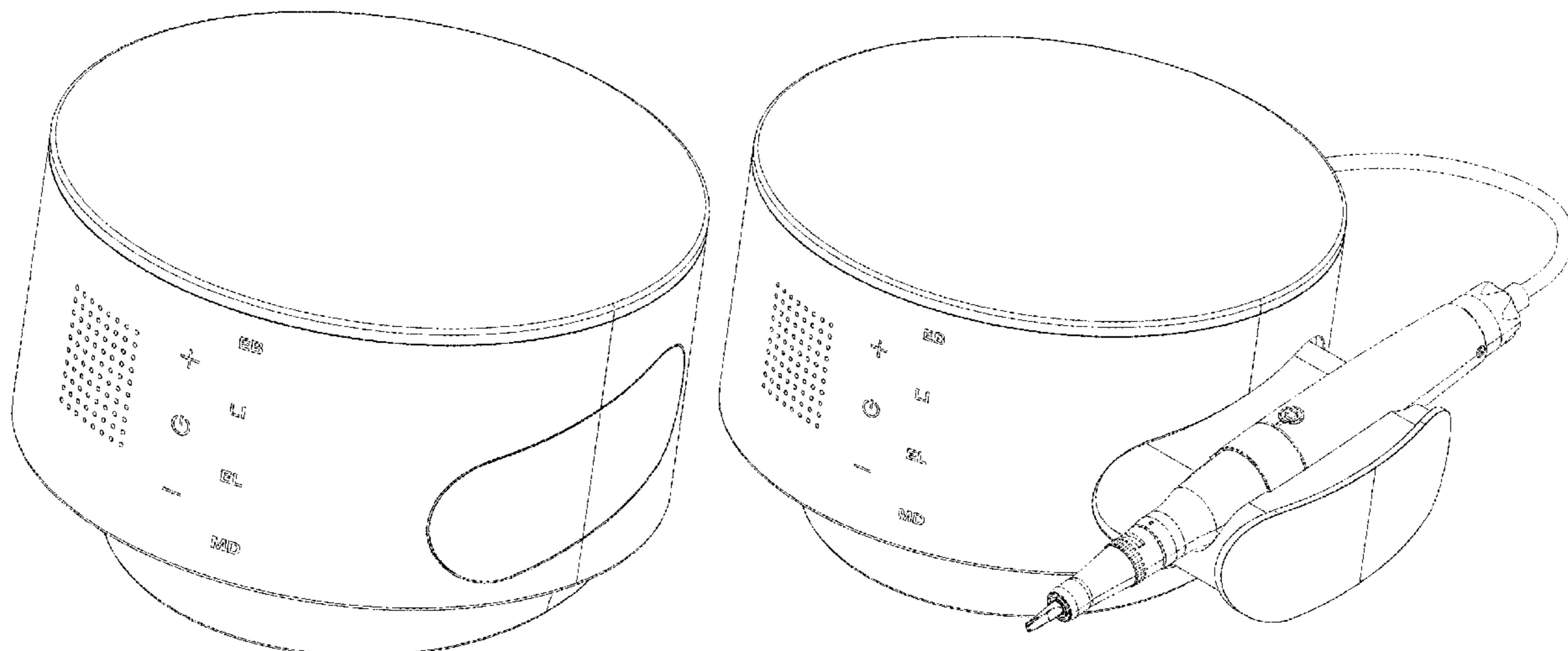
The ornamental design for a controller for skin apparatus, as shown and described.

**DESCRIPTION**

FIG. 1 is a front perspective view of a controller for skin apparatus, shown with a holder in a stored state; FIG. 2 is a front view of the controller for skin apparatus of FIG. 1; FIG. 3 is a rear view of the controller for skin apparatus of FIG. 1; FIG. 4 is a left side view of the controller for skin apparatus of FIG. 1; FIG. 5 is a right side view of the controller for skin apparatus of FIG. 1; FIG. 6 is a top view of the controller for skin apparatus of FIG. 1; FIG. 7 is a bottom view of the controller for skin apparatus of FIG. 1; FIG. 8 is a front perspective view of a controller for skin apparatus, shown with a holder in an extended state; FIG. 9 is a front view of the controller for skin apparatus of FIG. 8; FIG. 10 is a rear view of the controller for skin apparatus of FIG. 8; FIG. 11 is a left side view of the controller for skin apparatus of FIG. 8; FIG. 12 is a right side view of the controller for skin apparatus of FIG. 8; FIG. 13 is a top view of the controller for skin apparatus of FIG. 8; FIG. 14 is a bottom view of the controller for skin apparatus of FIG. 8; and, FIG. 15 is a front perspective view of the controller for skin apparatus of FIG. 8 shown with a skin apparatus in the holder.

The broken line showing of the skin apparatus in FIG. 15 depicts environmental structure and forms no part of the claimed design. All other broken lines shown in FIGS. 7, 10, and 14 depict portions of the controller for skin apparatus that form no part of the claimed design.

**1 Claim, 15 Drawing Sheets**



(58) **Field of Classification Search**

CPC ..... A61M 37/0076; A61M 37/0084; A61M  
2037/0061; A61B 2018/00452; A61B  
2017/320004; A61B 2017/00761; A45D  
2200/1054; A45D 29/14

See application file for complete search history.

(56) **References Cited**

U.S. PATENT DOCUMENTS

D639,945 S *	6/2011	Goerge .....	D24/146
D695,885 S *	12/2013	Thomas .....	D24/109
D791,955 S *	7/2017	Gilbert .....	D24/109
D807,486 S *	1/2018	Li .....	D23/366
D841,162 S *	2/2019	Lee .....	D24/144

\* cited by examiner

FIG. 1

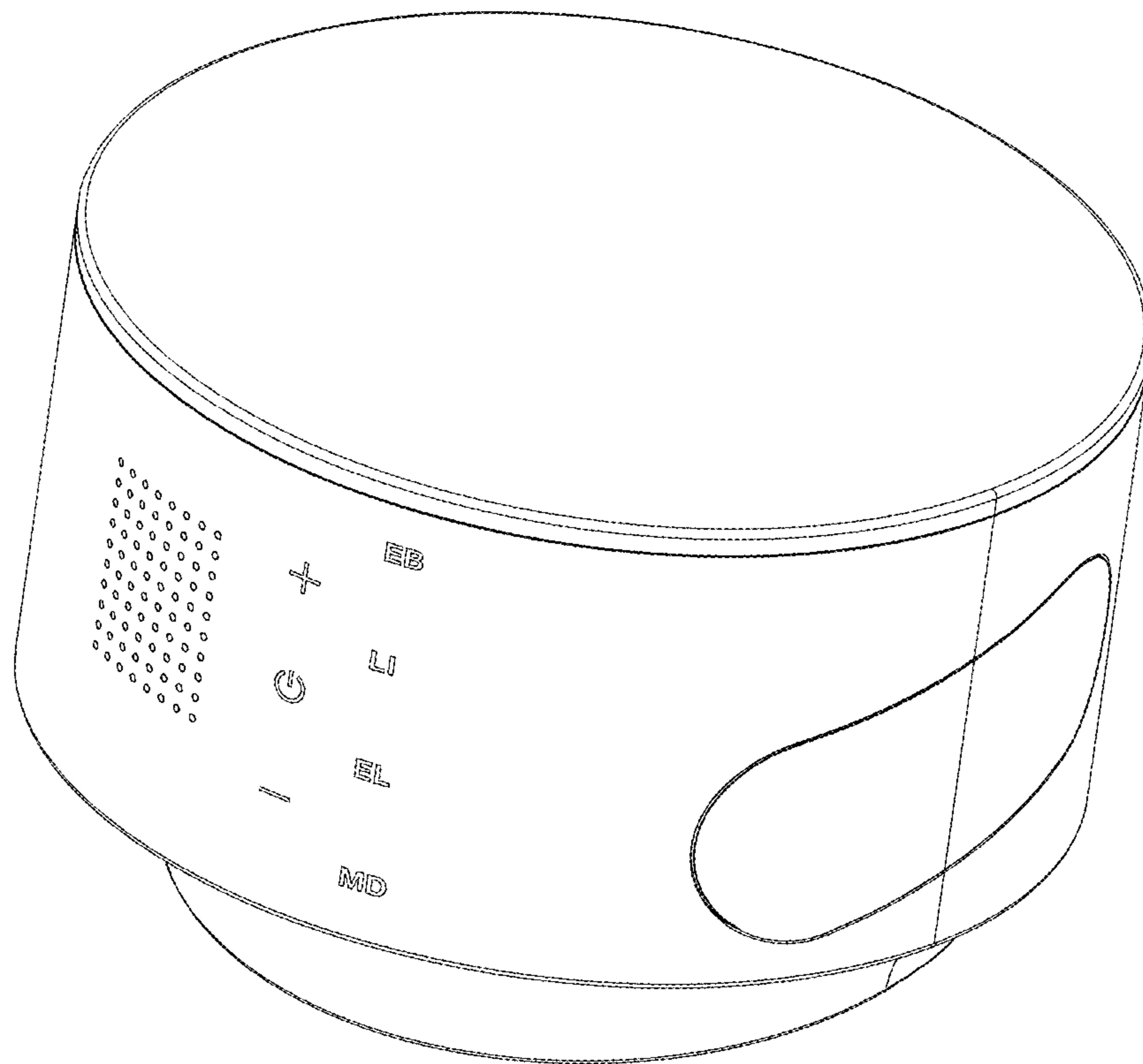


FIG. 2

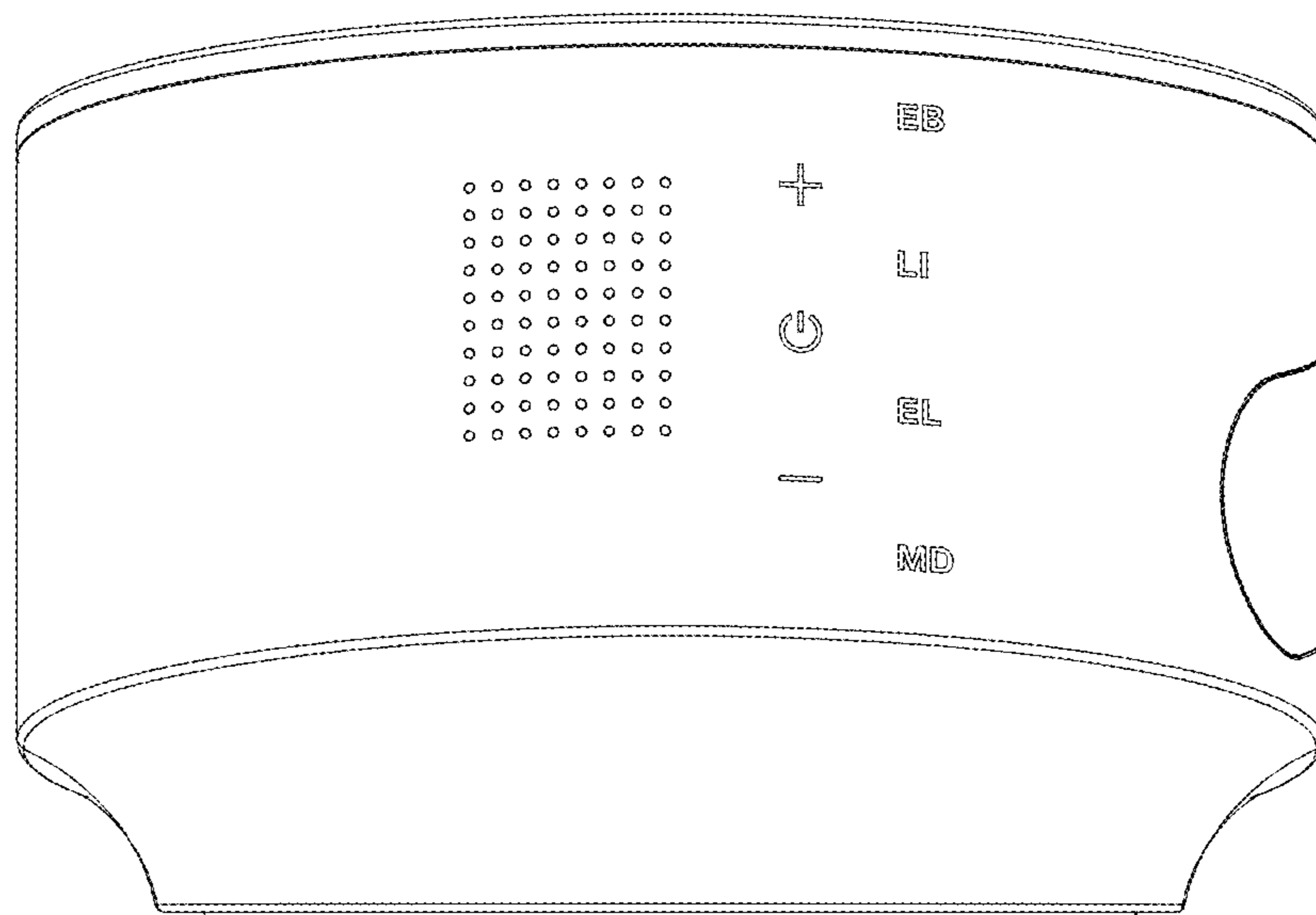


FIG. 3

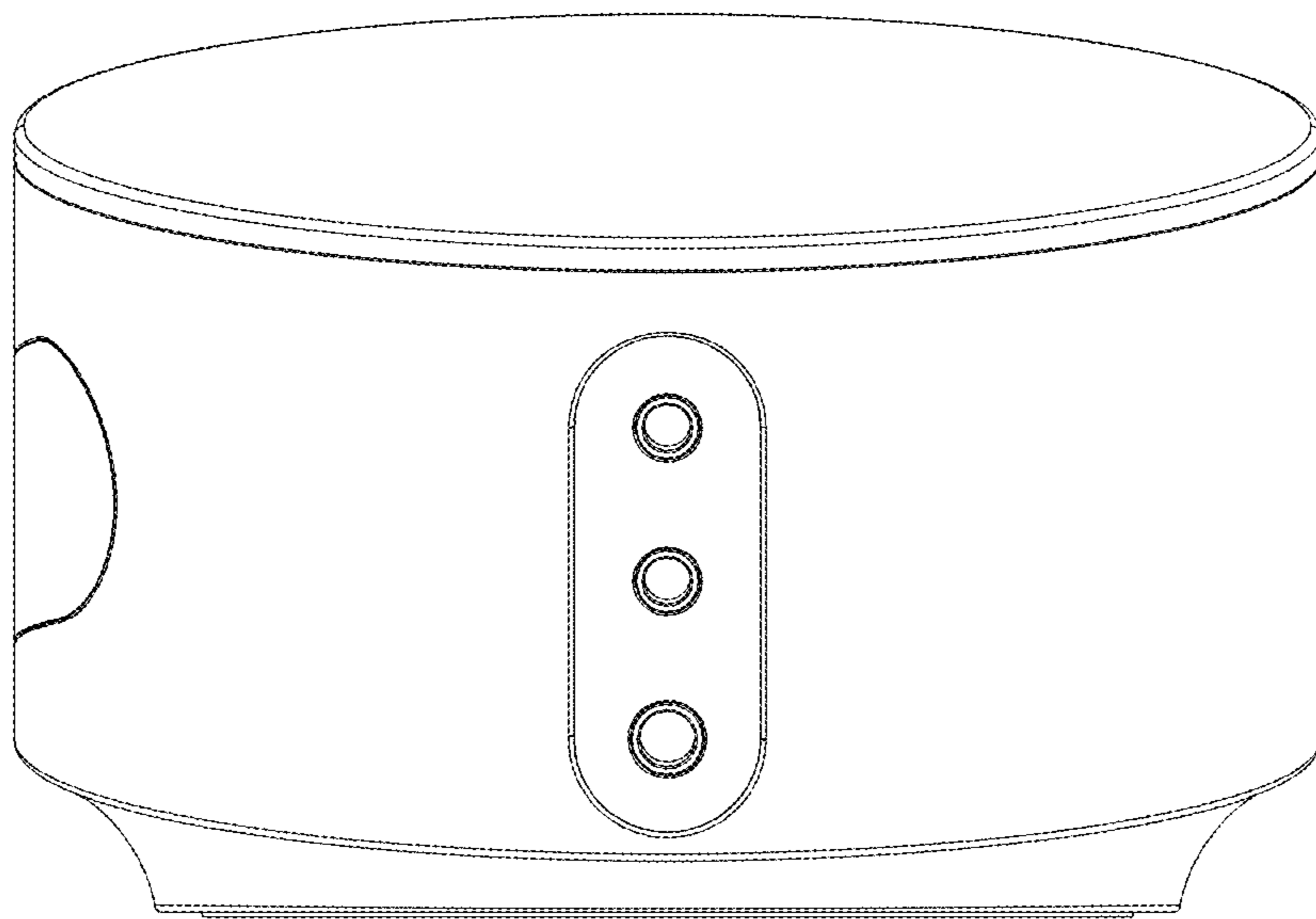


FIG. 4

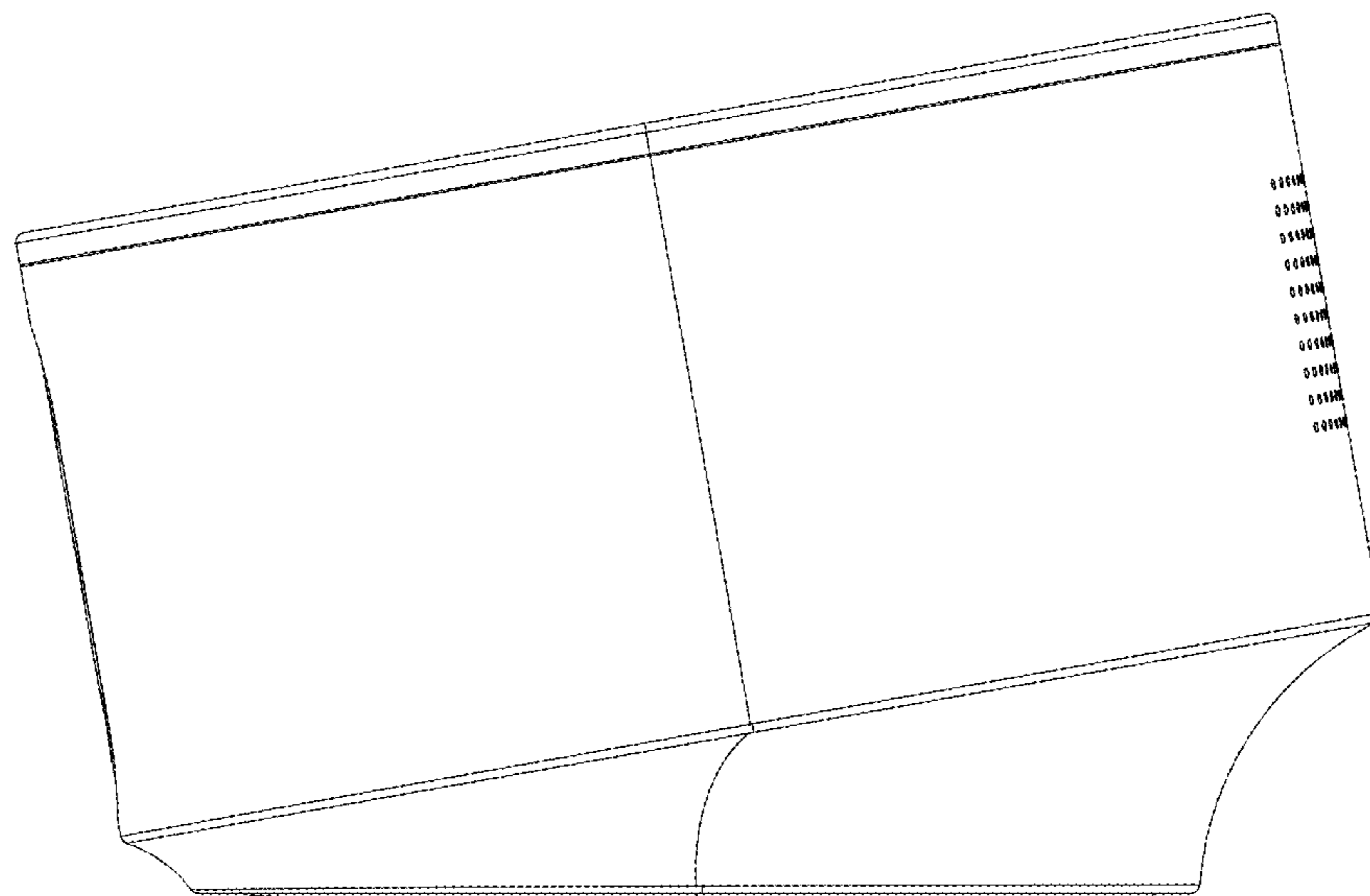


FIG. 5

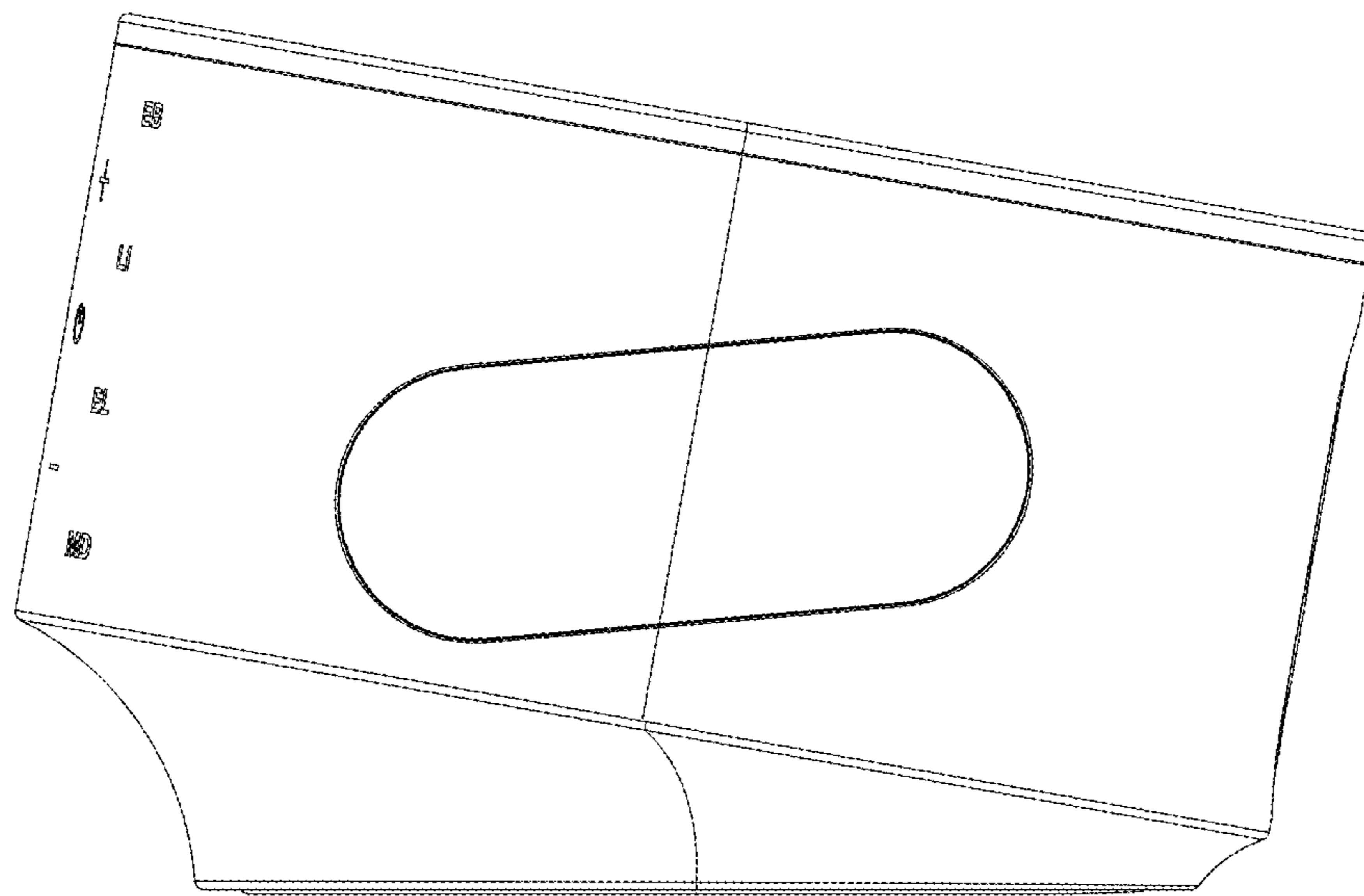




FIG. 6

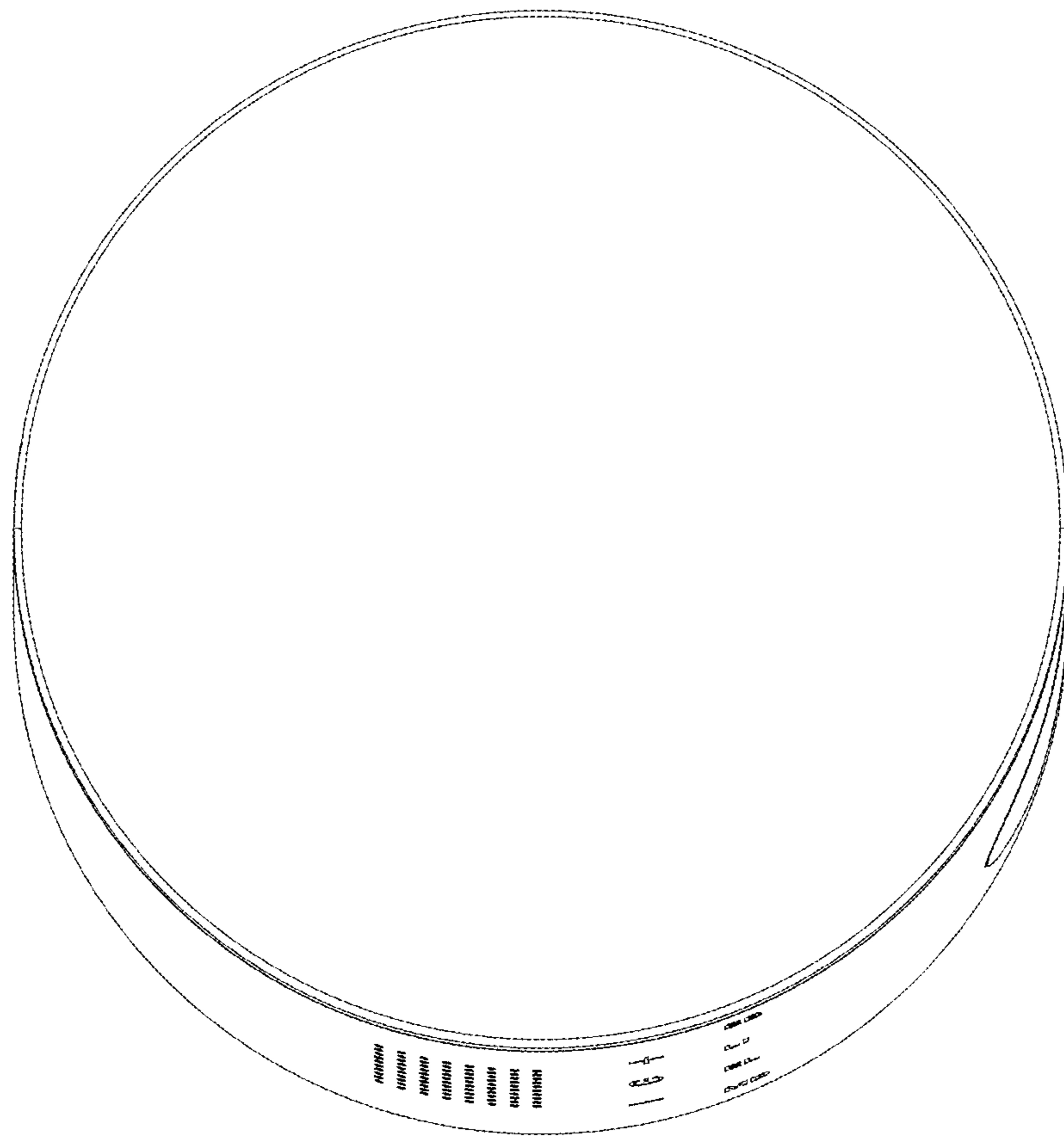




FIG. 7

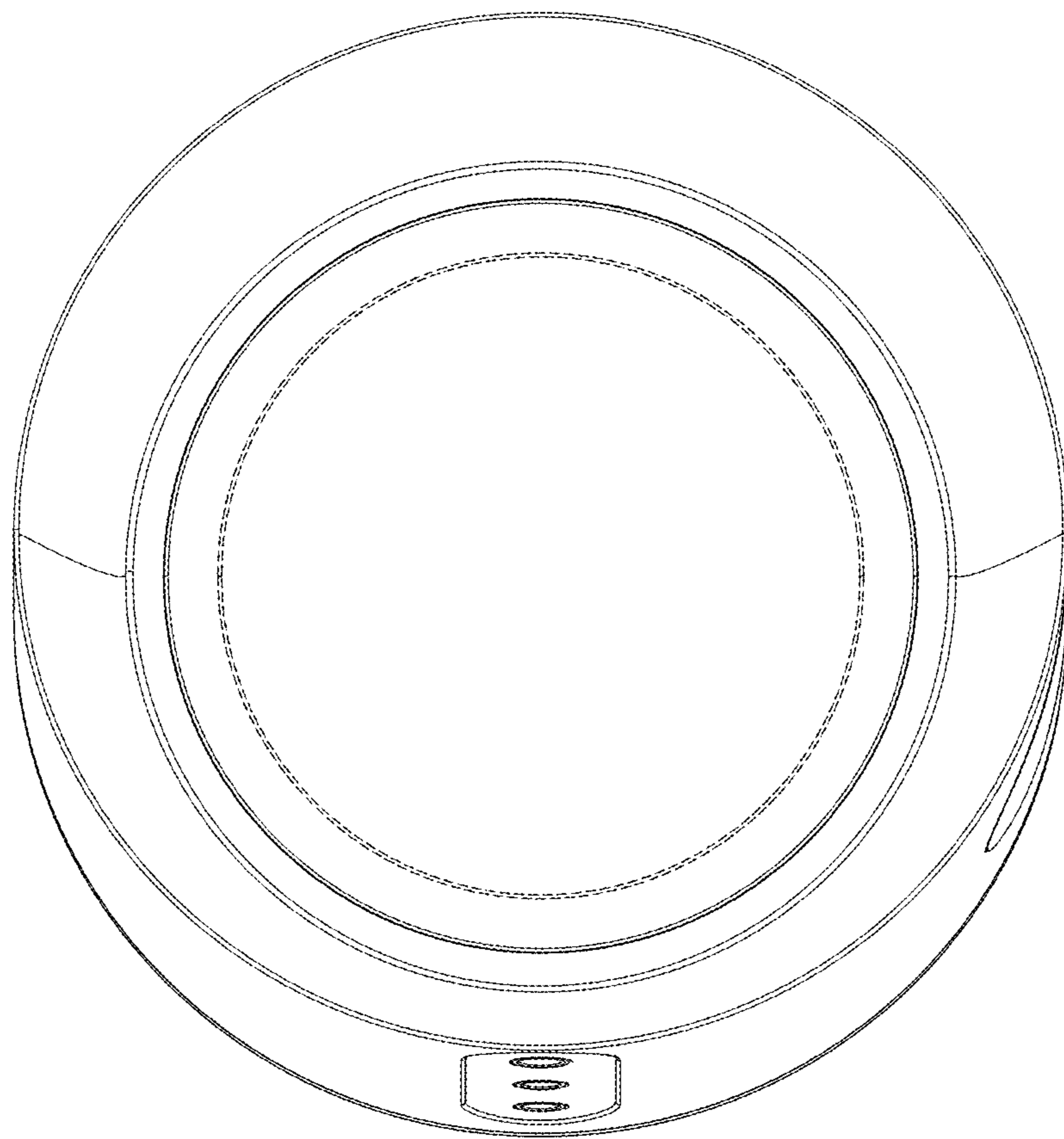


FIG. 8

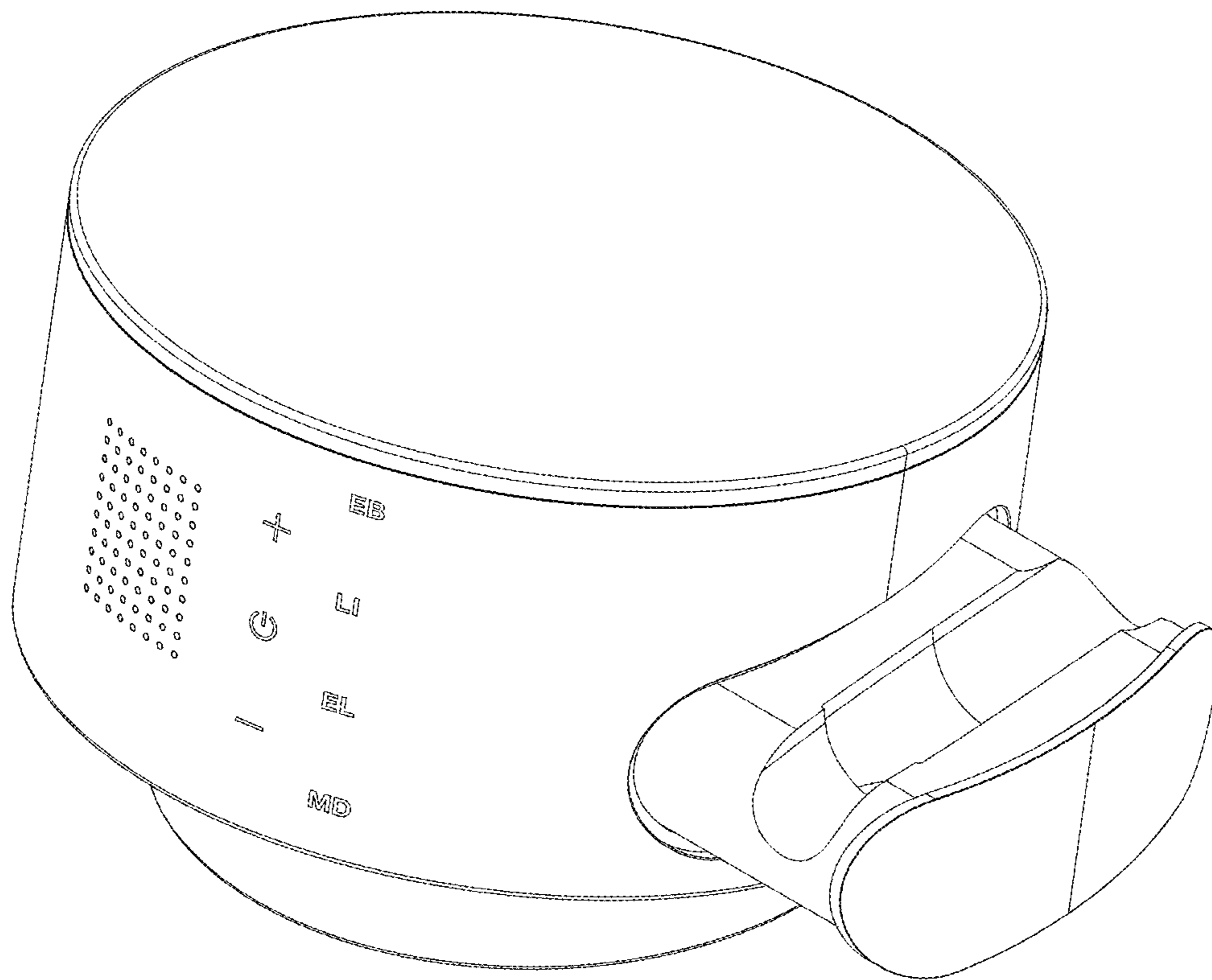


FIG. 9

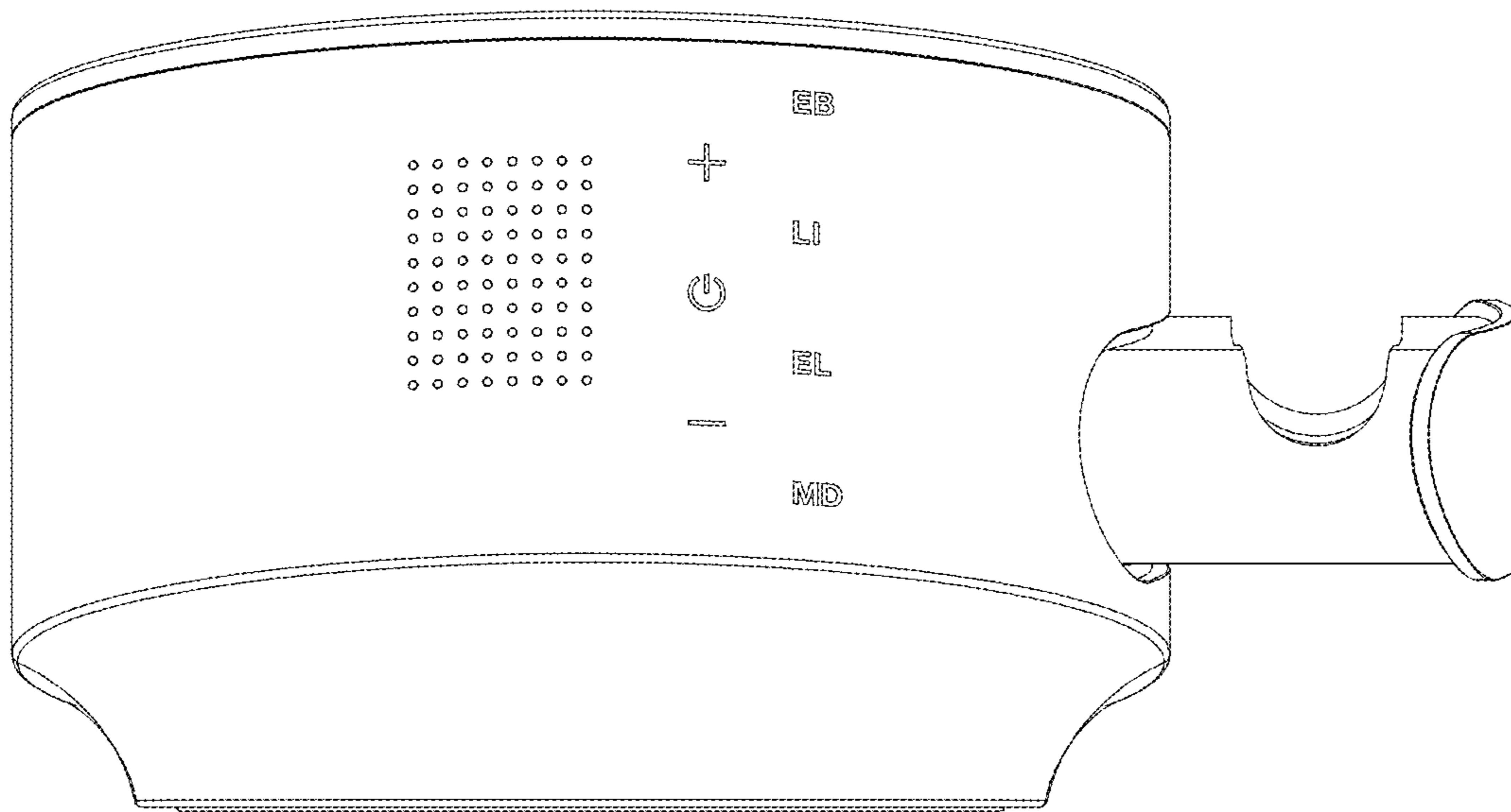


FIG. 10

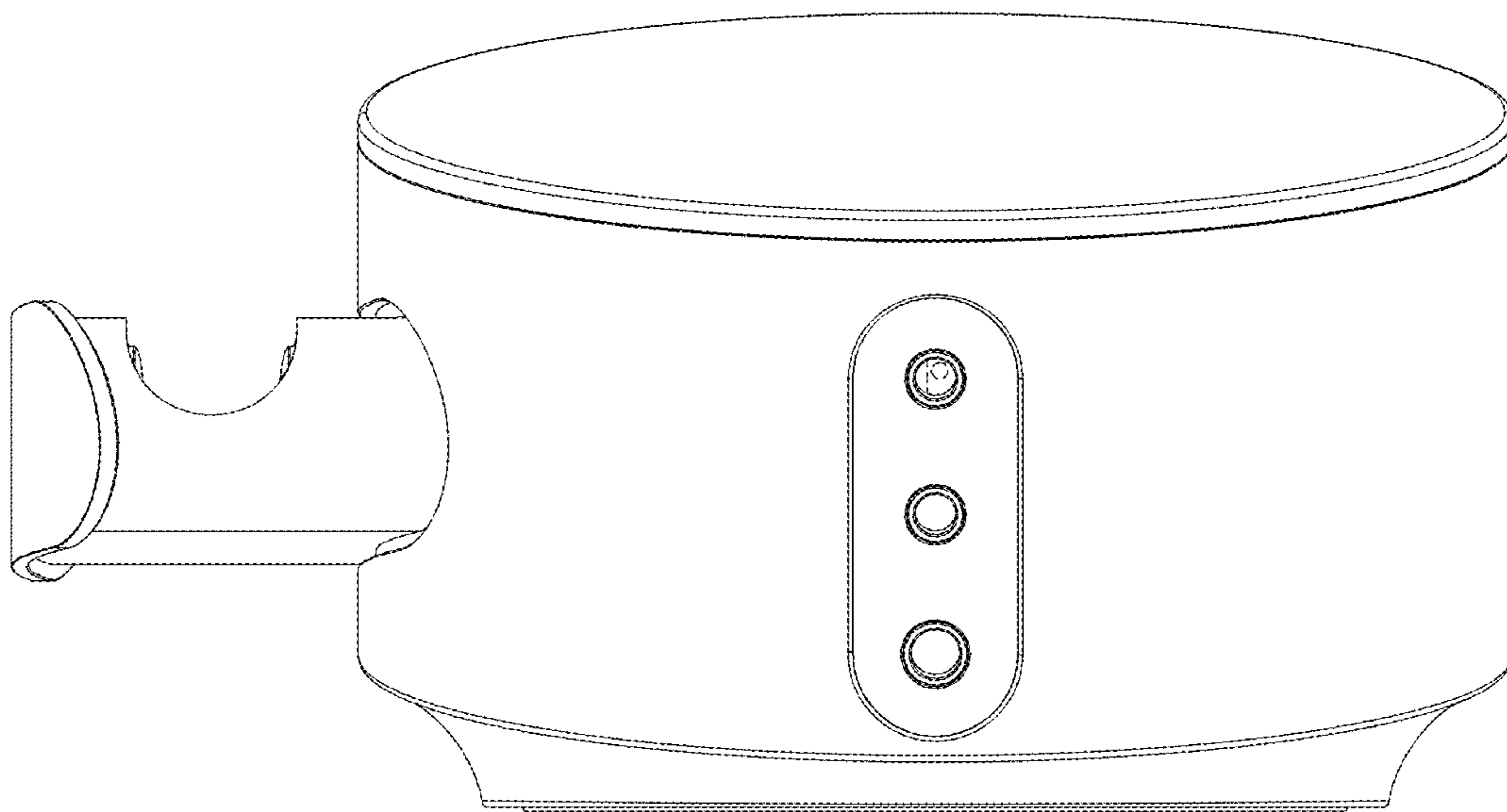


FIG. 11

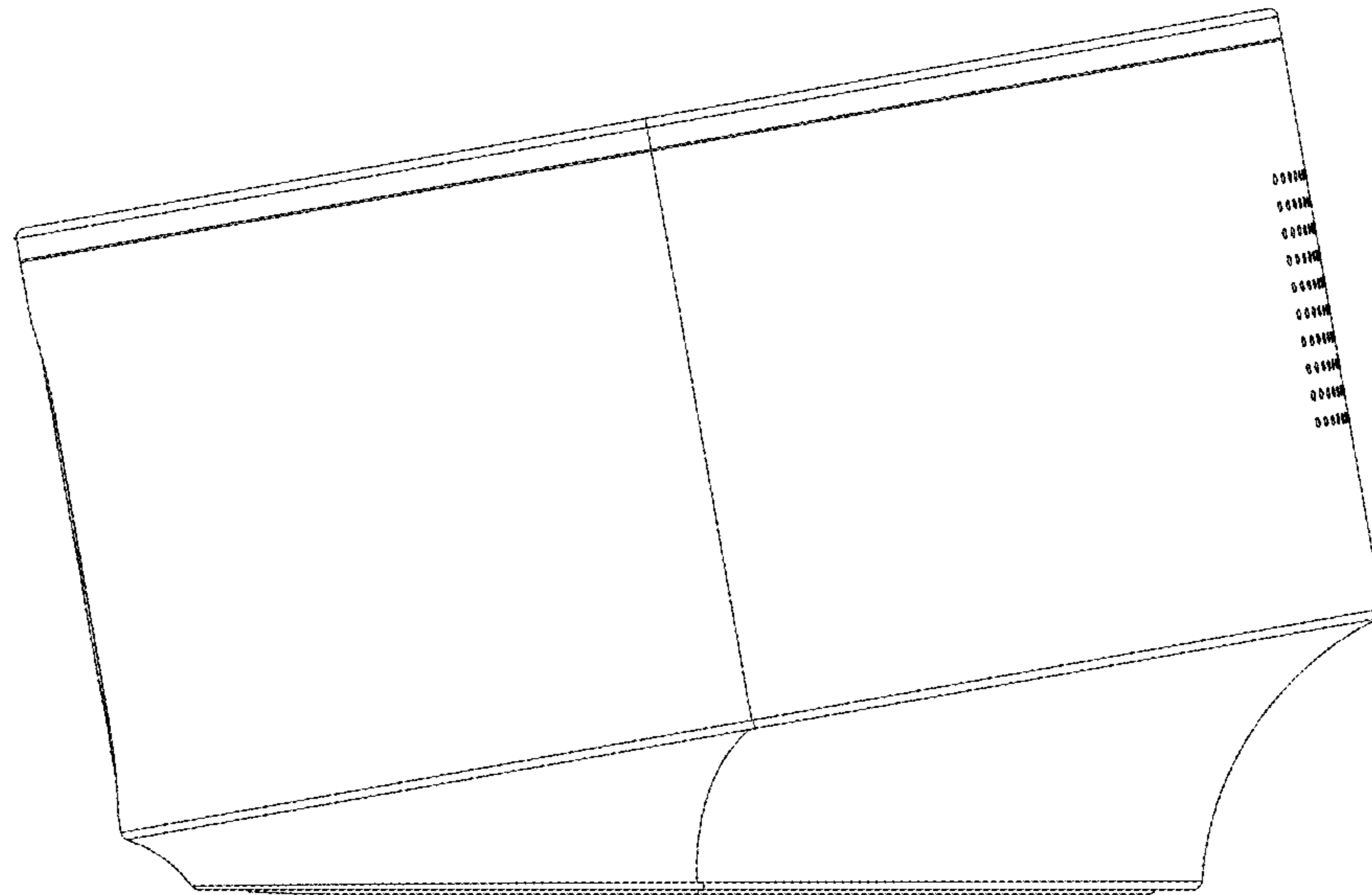


FIG. 12

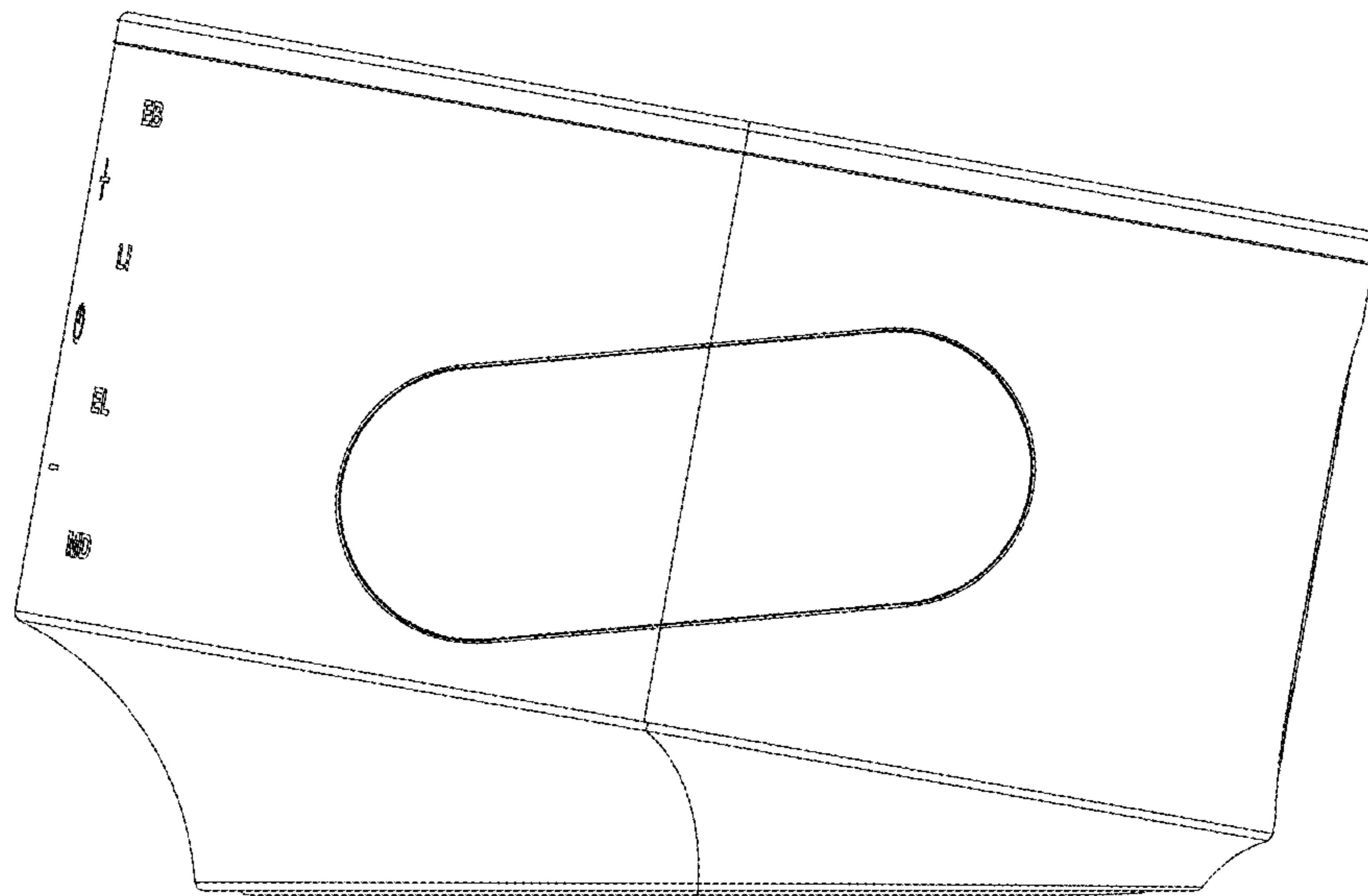


FIG. 13

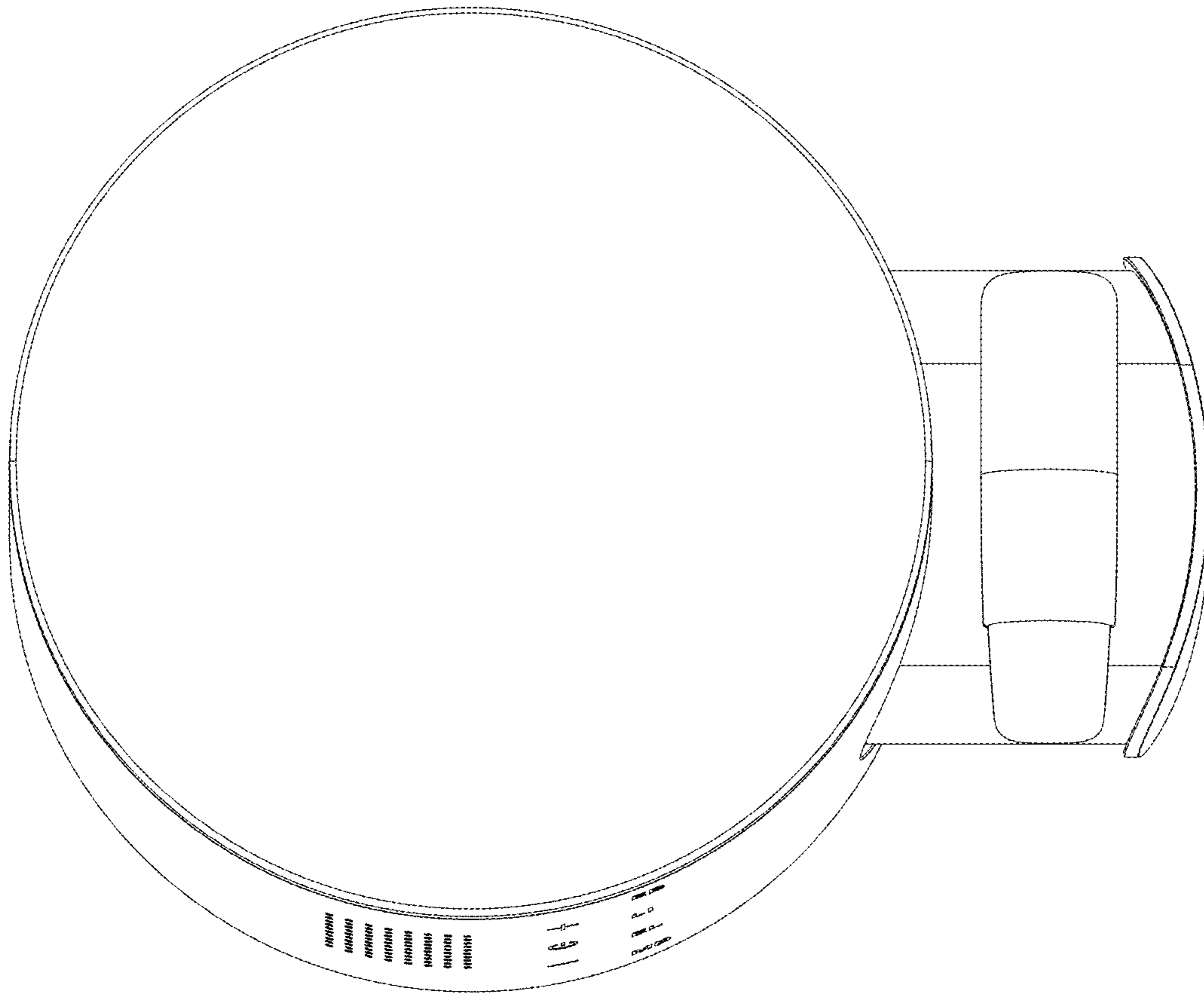




FIG. 14

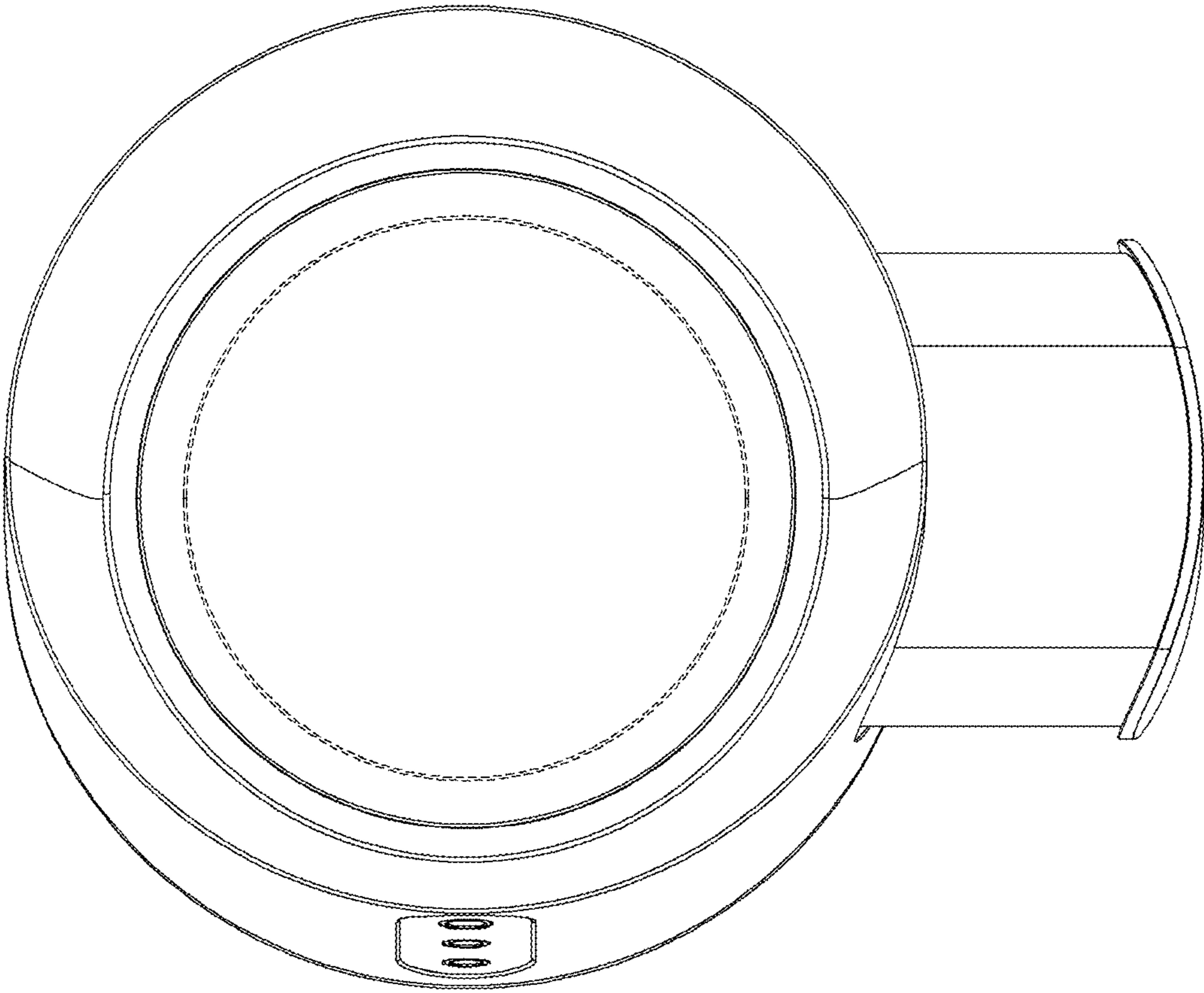


FIG. 15

