

US00D894364S

(12) **United States Design Patent** (10) **Patent No.:** **US D894,364 S**
Schulzman (45) **Date of Patent:** **** *Aug. 25, 2020**

- (54) **CEILING FAN**
- (71) Applicant: **Minka Lighting, Inc.**, Corona, CA (US)
- (72) Inventor: **Kurt Schulzman**, Long Beach, CA (US)
- (73) Assignee: **Minka Lighting, Inc.**, Corona, CA (US)
- (*) Notice: This patent is subject to a terminal disclaimer.
- (**) Term: **15 Years**
- (21) Appl. No.: **29/669,098**
- (22) Filed: **Nov. 5, 2018**

D795,412 S *	8/2017	Schulzman	D23/377
D799,665 S *	10/2017	Wang	D23/377
D799,668 S *	10/2017	Wang	D23/377
D802,114 S *	11/2017	Busta	D23/377
D814,011 S *	3/2018	McRoberts	D23/377
D831,187 S *	10/2018	Schulzman	D23/377
D832,990 S *	11/2018	Schulzman	D23/377
D834,696 S *	11/2018	Schulzman	D23/377
D855,789 S *	8/2019	Haggar	D23/377
D860,428 S *	9/2019	Orozco	D23/377
D860,429 S *	9/2019	Orozco	D23/377
2009/0208333 A1 *	8/2009	Smith	F04D 25/088 416/5
2010/0278637 A1 *	11/2010	Oleson	F04D 25/088 415/121.3

* cited by examiner

Primary Examiner — Janice Hallmark
(74) *Attorney, Agent, or Firm* — Seyfarth Shaw LLP

Related U.S. Application Data

- (63) Continuation of application No. 29/632,105, filed on Jan. 5, 2018, now Pat. No. Des. 832,990.
- (51) **LOC (12) Cl.** **23-04**
- (52) **U.S. Cl.**
USPC **D23/377**
- (58) **Field of Classification Search**
USPC ... D26/59, 24, 118, 119, 121–124, 128–137;
D23/370, 377–382, 411–414
CPC F04D 25/088; F04D 29/38; F21V 21/03;
B63H 1/16
See application file for complete search history.

(57) **CLAIM**

The ornamental design for a ceiling fan, as shown and described.

DESCRIPTION

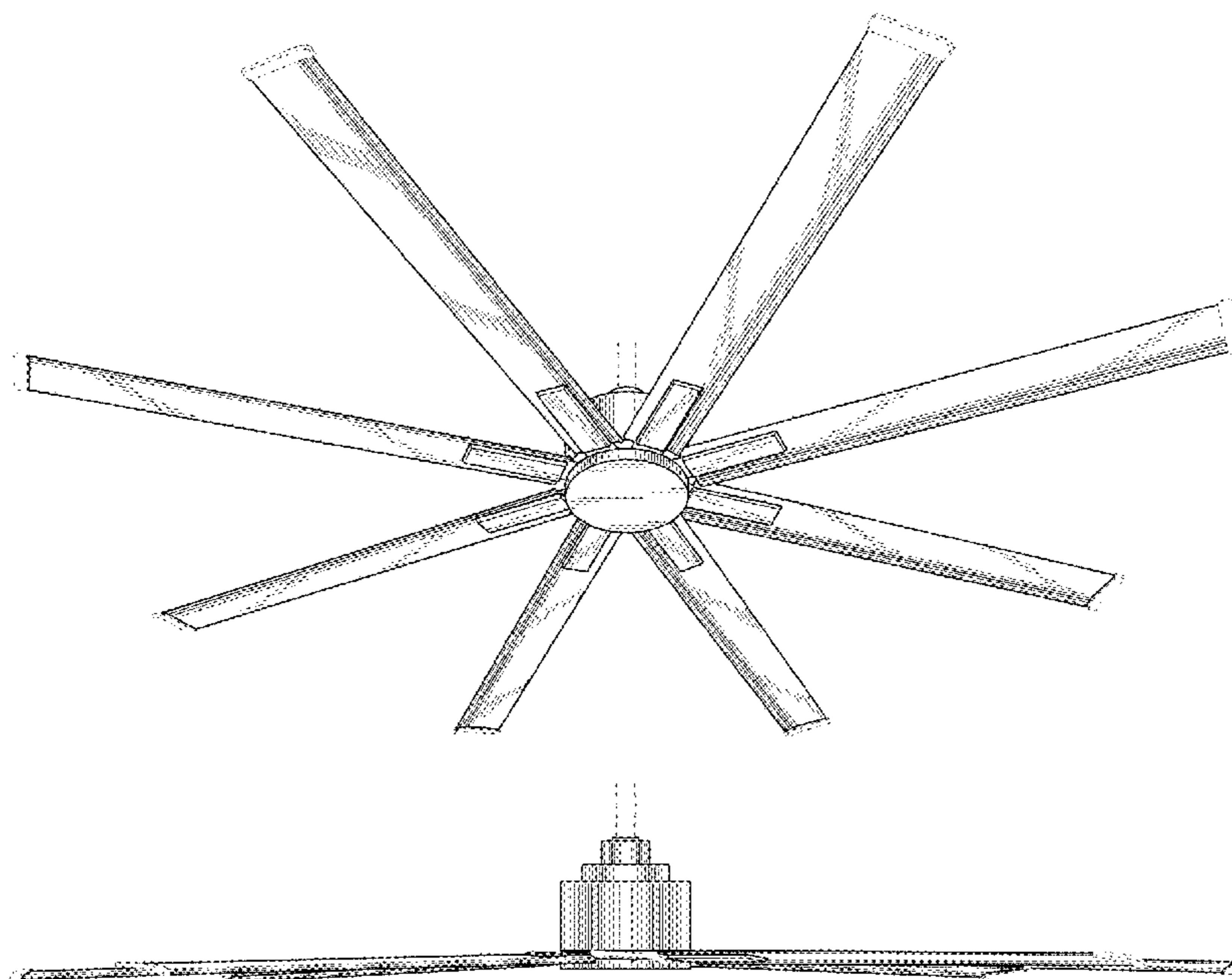
FIG. 1 is a perspective view of a ceiling fan in accordance with my design;
FIG. 2 is a top plan view thereof;
FIG. 3 is a bottom plan view thereof;
FIG. 4 is a left-side elevation view thereof, the opposite side being a mirror image of that shown; and,
FIG. 5 is a front elevation view thereof, the opposite side being a mirror image of that shown.
The broken lines in the drawings illustrate portions of the ceiling fan that form no part of the claimed design.

(56) **References Cited**

U.S. PATENT DOCUMENTS

- 8,753,081 B2 * 6/2014 Aynsley F04D 25/088
416/236 R
- D778,422 S * 2/2017 Gajewski D23/377

1 Claim, 4 Drawing Sheets



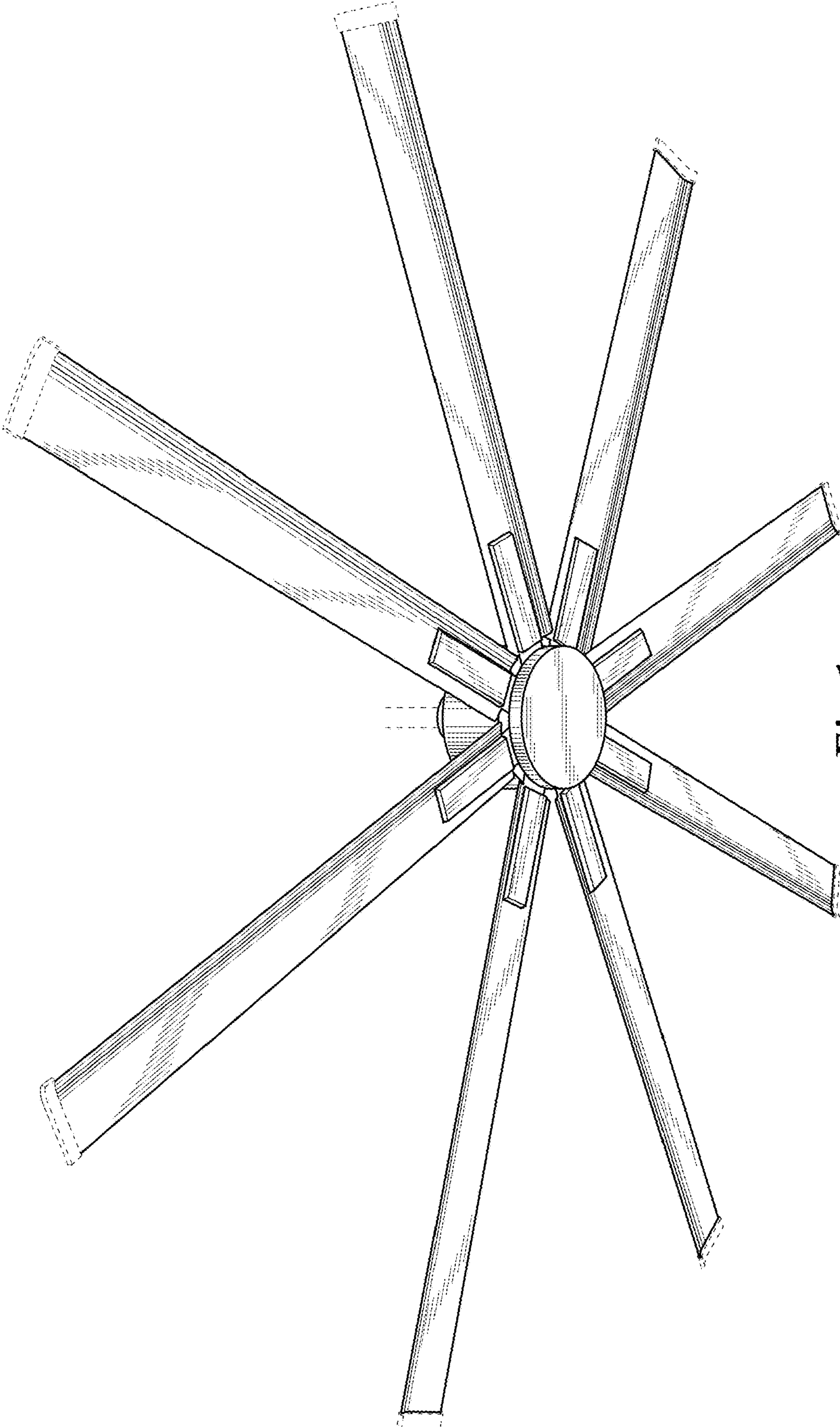


Fig.1

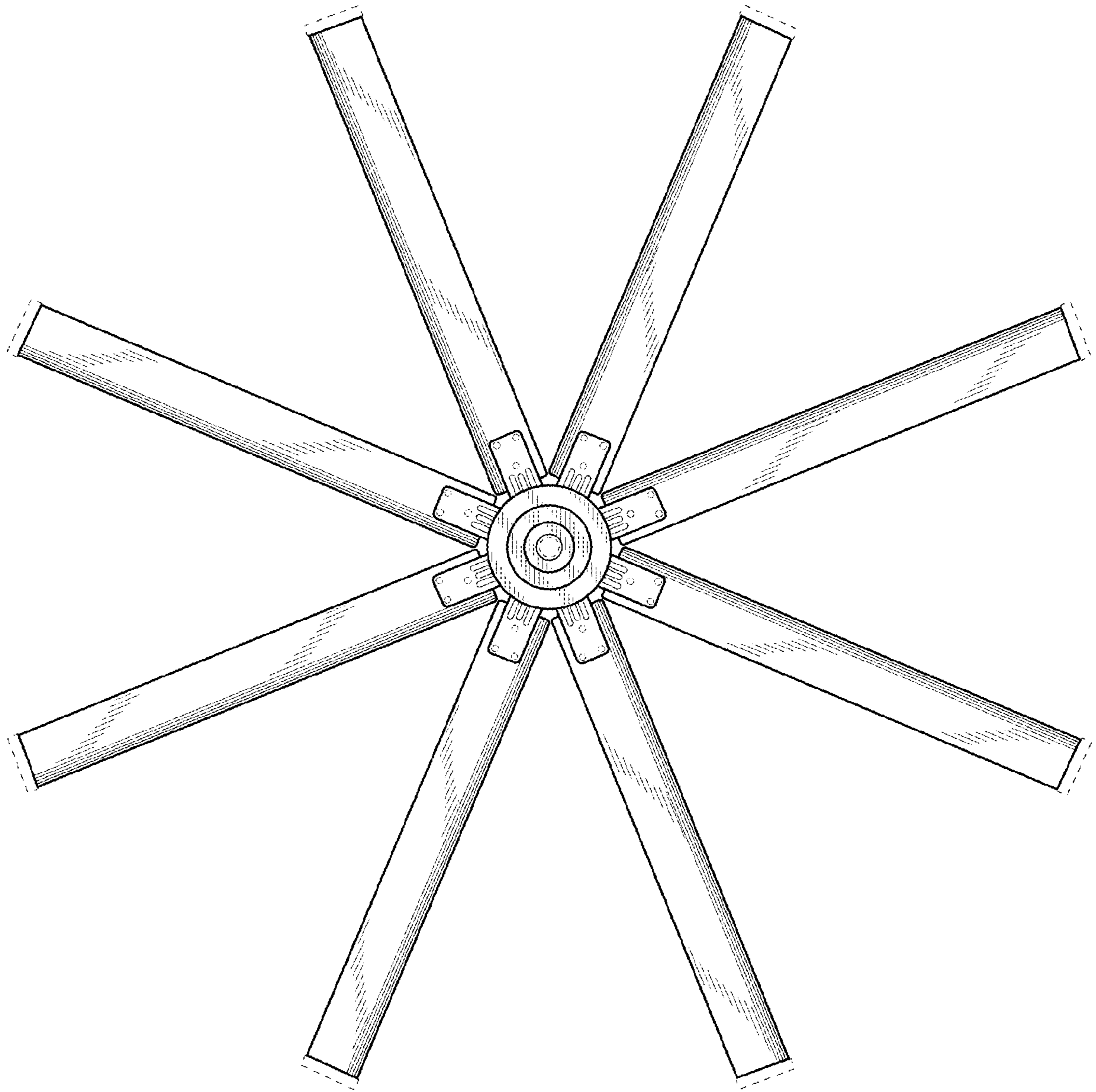


Fig.2

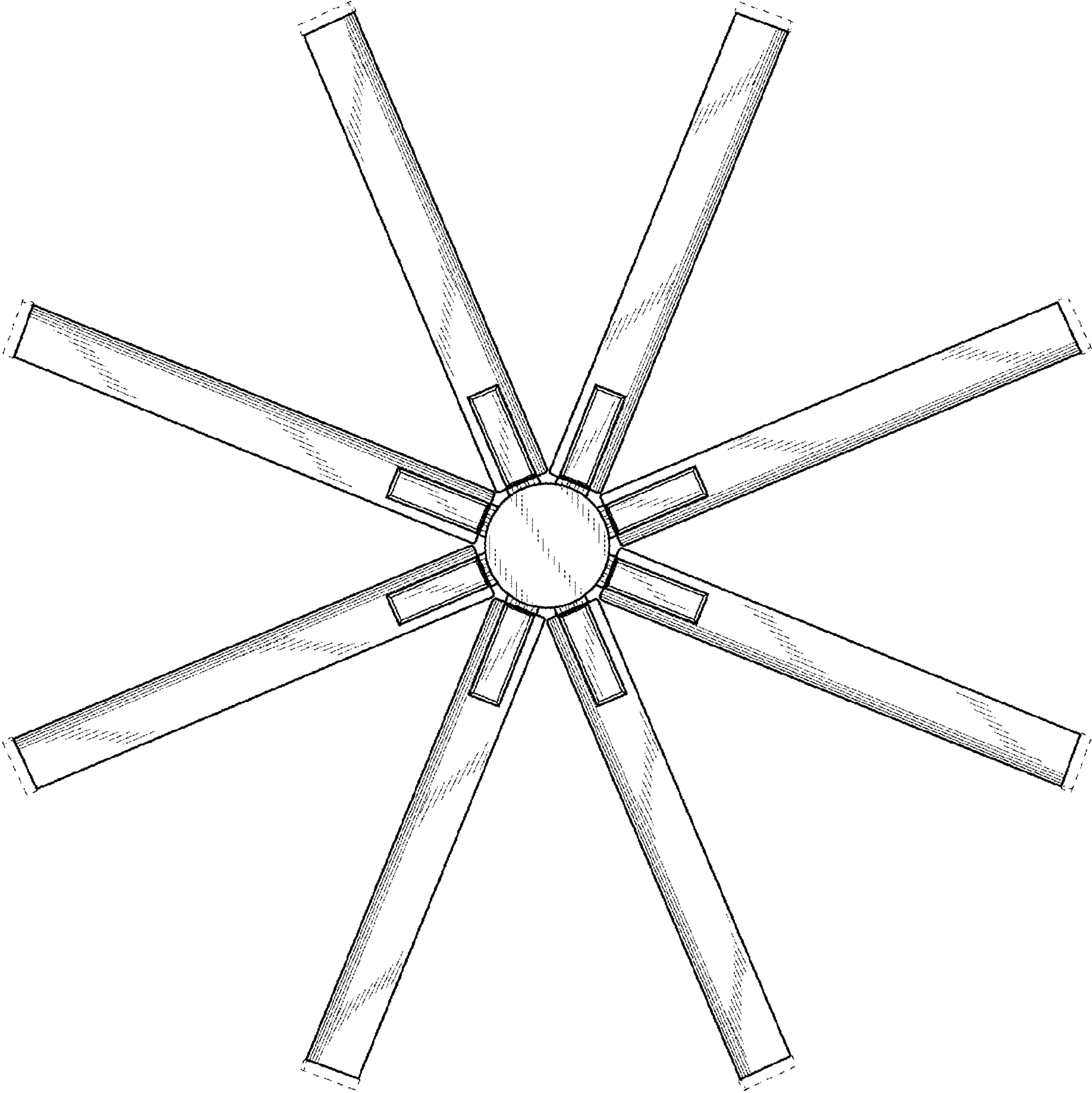


Fig.3

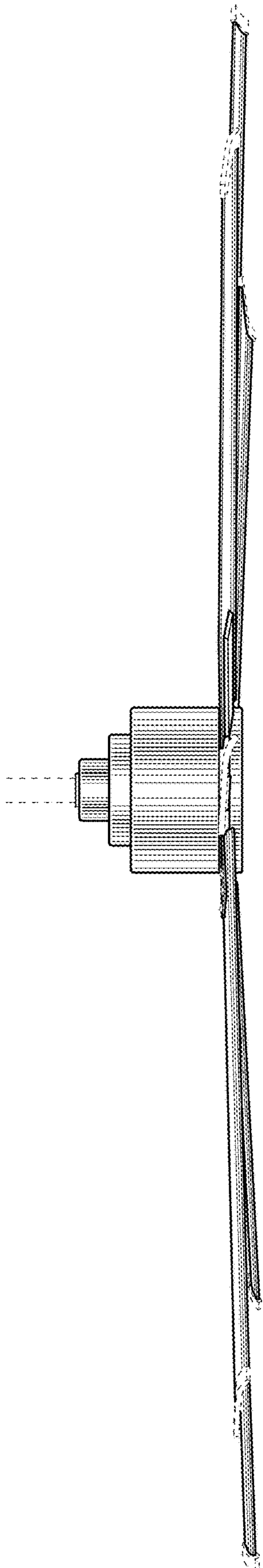


Fig. 4

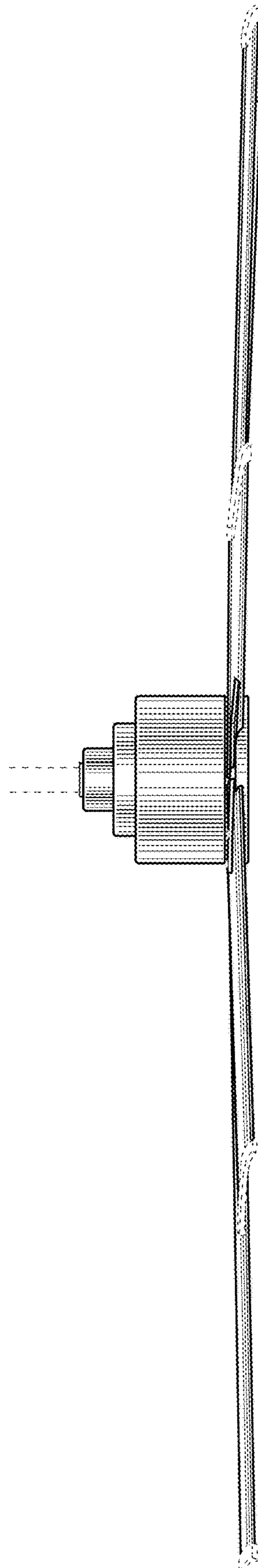


Fig. 5