

US00D894363S

(12) **United States Design Patent** (10) **Patent No.:** **US D894,363 S**
Cannon et al. (45) **Date of Patent:** **** Aug. 25, 2020**

(54) **AIR FRESHENER CARTRIDGE**
(71) Applicant: **The Procter & Gamble Company,**
Cincinnati, OH (US)
(72) Inventors: **William Michael Cannon,** West
Harrison, OH (US); **Keri Marsh**
Arinsmier, Mason, OH (US); **Richard**
Lee Lane, Cincinnati, OH (US)
(73) Assignee: **The Procter & Gamble Company,**
Cincinnati, OH (US)

D490,082 S * 5/2004 Lenaerts D14/439
D527,255 S * 8/2006 Liebe D9/440
D530,606 S * 10/2006 Liebe D9/440
D540,676 S * 4/2007 Novos D9/444
D548,080 S * 8/2007 Brown D9/449
D562,131 S * 2/2008 Wichowski D9/440
D588,914 S * 3/2009 Laurieu-Tedeschi D9/435
D605,036 S * 12/2009 Lloyd D9/435
D639,658 S * 6/2011 Yacht D9/447
D694,575 S * 12/2013 Andres B01L 3/52
D7/392.1
2020/0001319 A1* 1/2020 Gruenbacher B01L 3/52

(**) Term: **15 Years**

Primary Examiner — Sheryl Lane
Assistant Examiner — Calvin E Vansant
(74) *Attorney, Agent, or Firm* — Abbey A. Lopez

(21) Appl. No.: **29/731,280**

(22) Filed: **Apr. 14, 2020**

Related U.S. Application Data

(63) Continuation of application No. 29/647,605, filed on
May 15, 2018, now Pat. No. Des. 884,141.

(51) **LOC (12) Cl.** **23-04**

(52) **U.S. Cl.**
USPC **D23/366; D9/436**

(58) **Field of Classification Search**
USPC D23/208, 209, 355–369, 386; D9/447,
D9/522, 435, 436, 443, 449; D18/56
CPC A61L 9/02; A61L 9/03; A61L 9/12; A61L
9/035; A61L 9/125
See application file for complete search history.

(56) **References Cited**

U.S. PATENT DOCUMENTS

D376,952 S * 12/1996 Rausch D7/391
D484,792 S * 1/2004 Sgariboldi D9/694

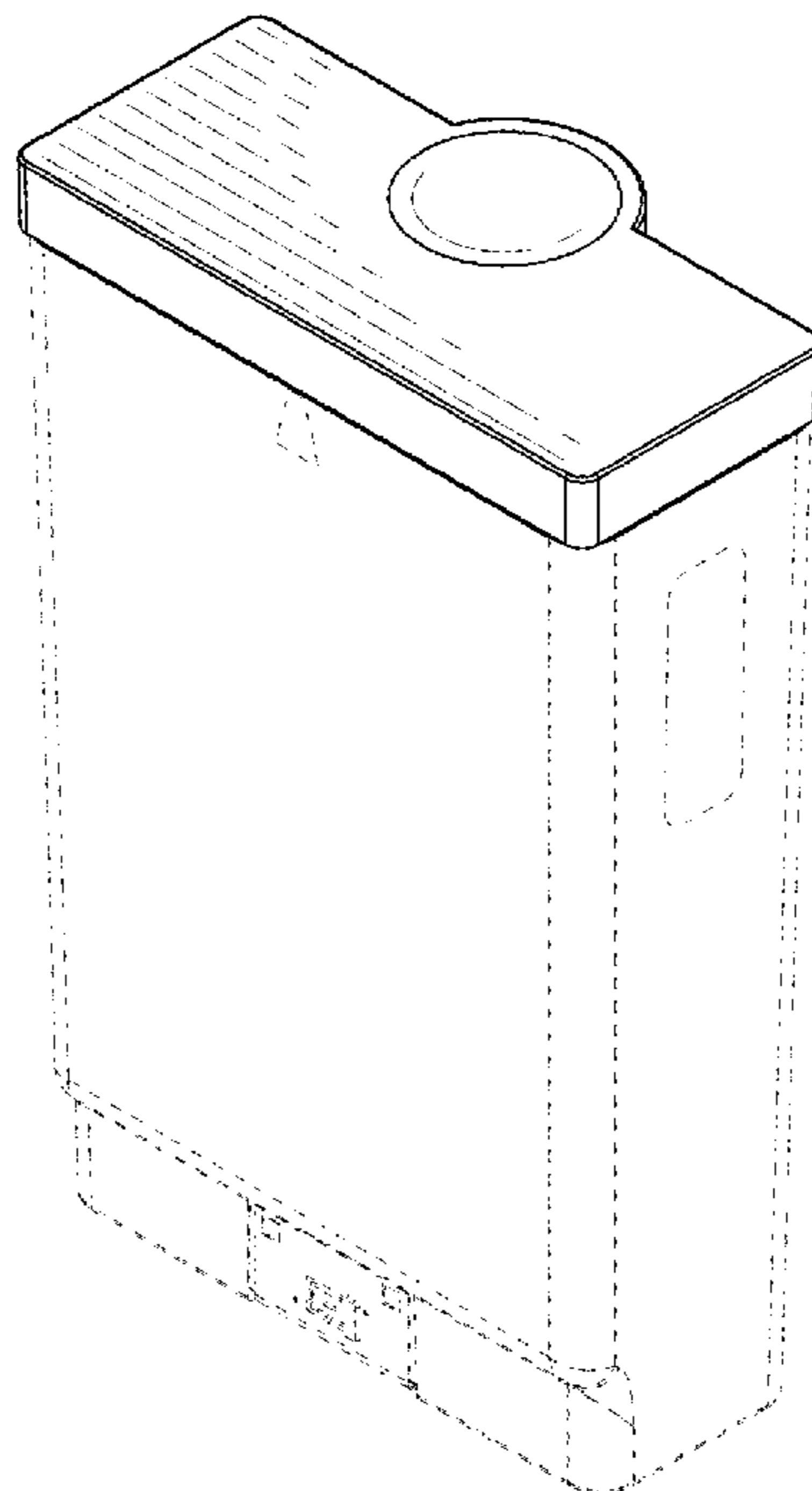
(57) **CLAIM**

The ornamental design for an air freshener cartridge, as
shown and described.

DESCRIPTION

FIG. 1 is a front perspective view of an embodiment of an
air freshener cartridge;
FIG. 2 is a front view thereof;
FIG. 3 is a back view thereof;
FIG. 4 is a left view thereof;
FIG. 5 is a right view thereof;
FIG. 6 is a top view thereof; and,
FIG. 7 is a bottom view thereof.
The broken lines depict portions of the air freshener car-
tridge that form no part of the claim.

1 Claim, 3 Drawing Sheets



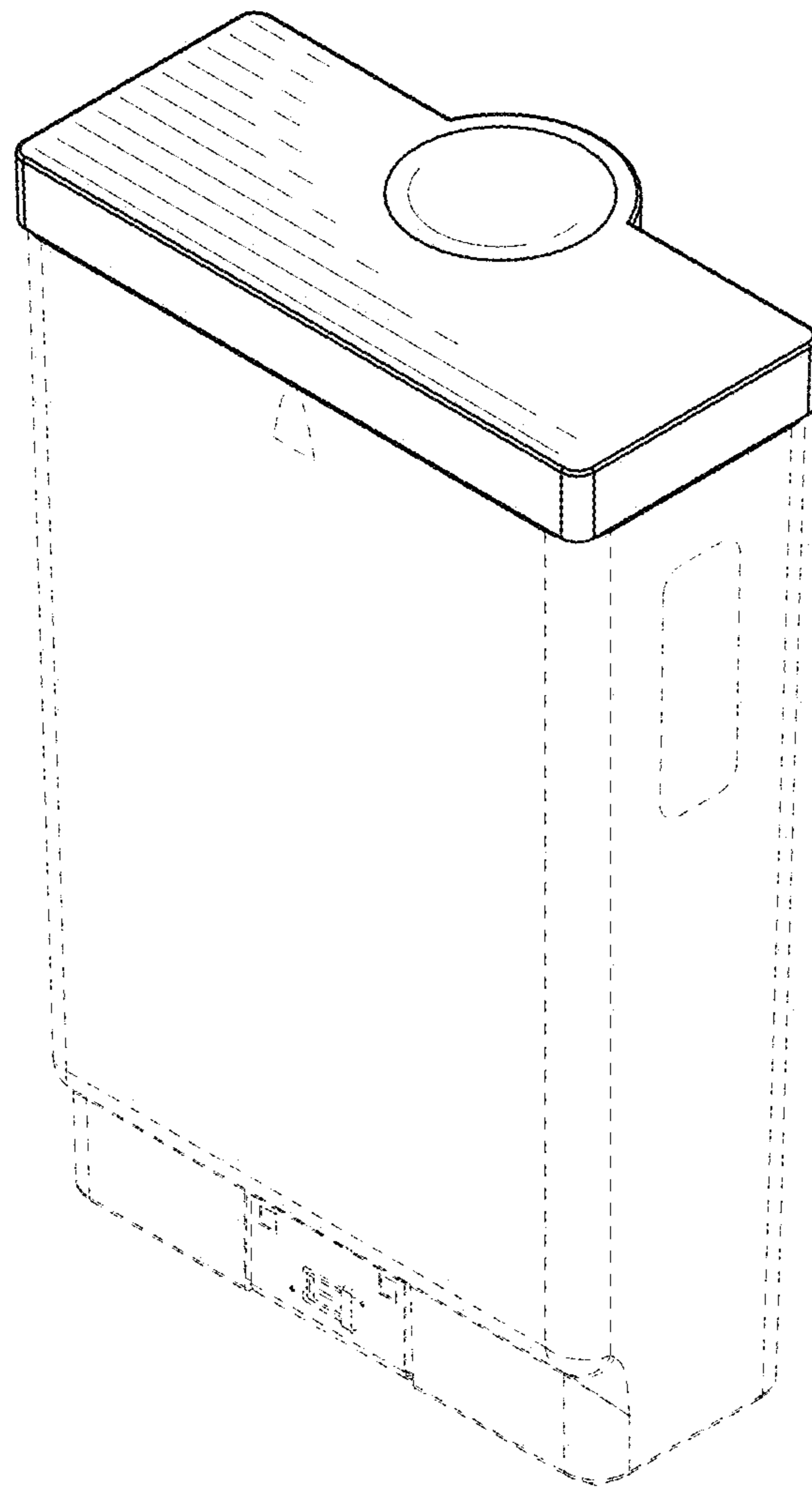


Fig. 1

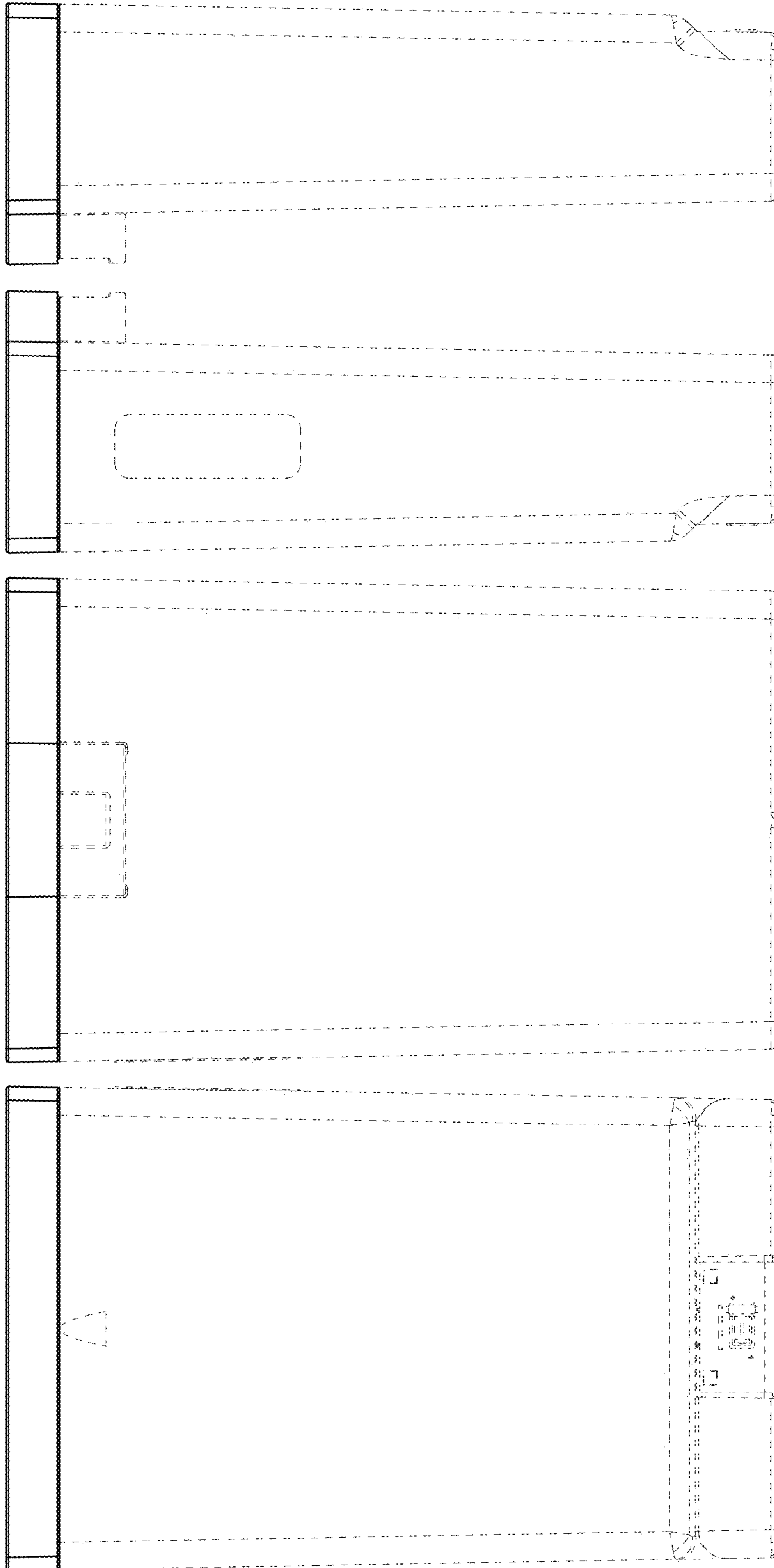


Fig. 2

Fig. 3

Fig. 4

Fig. 5

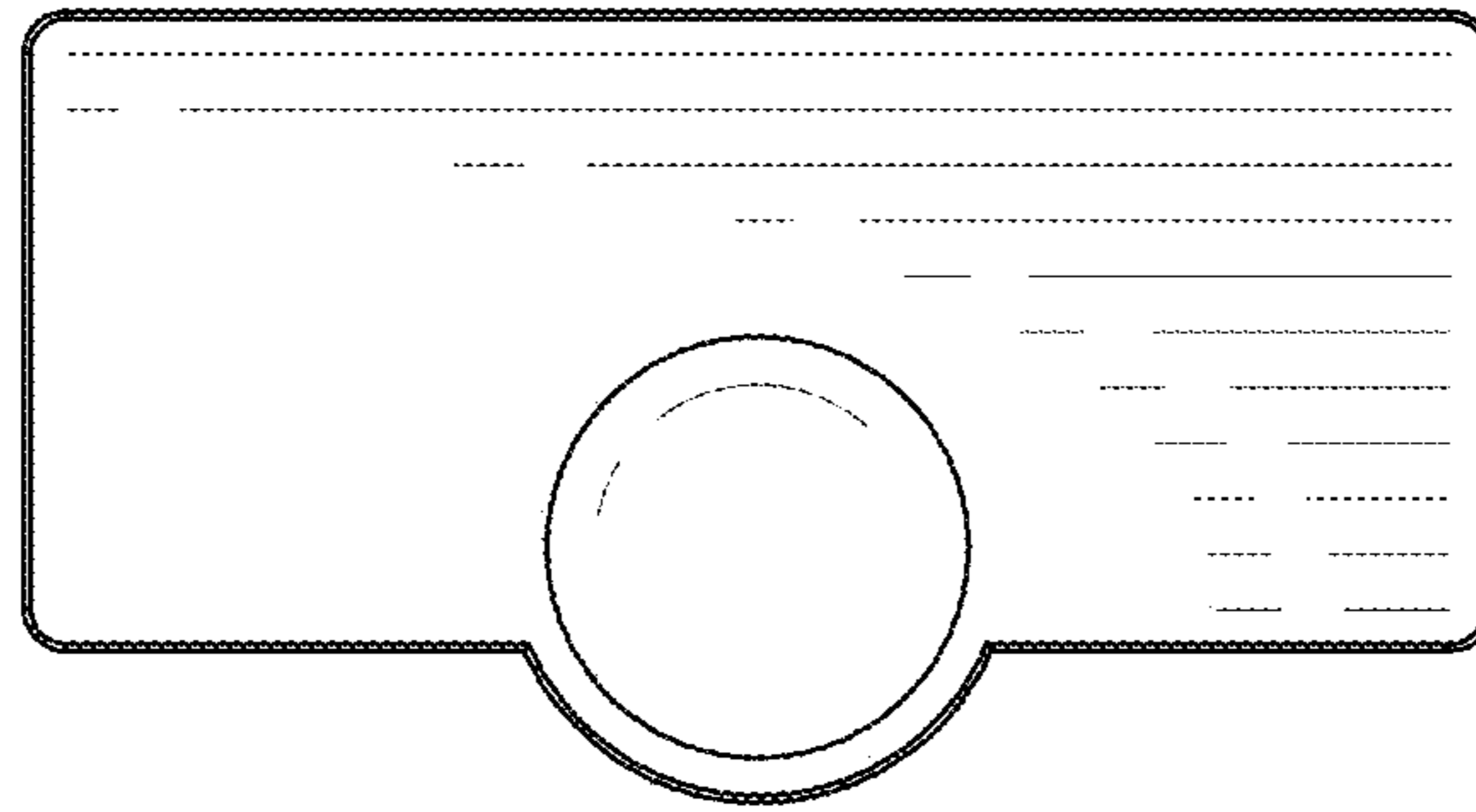


Fig. 6

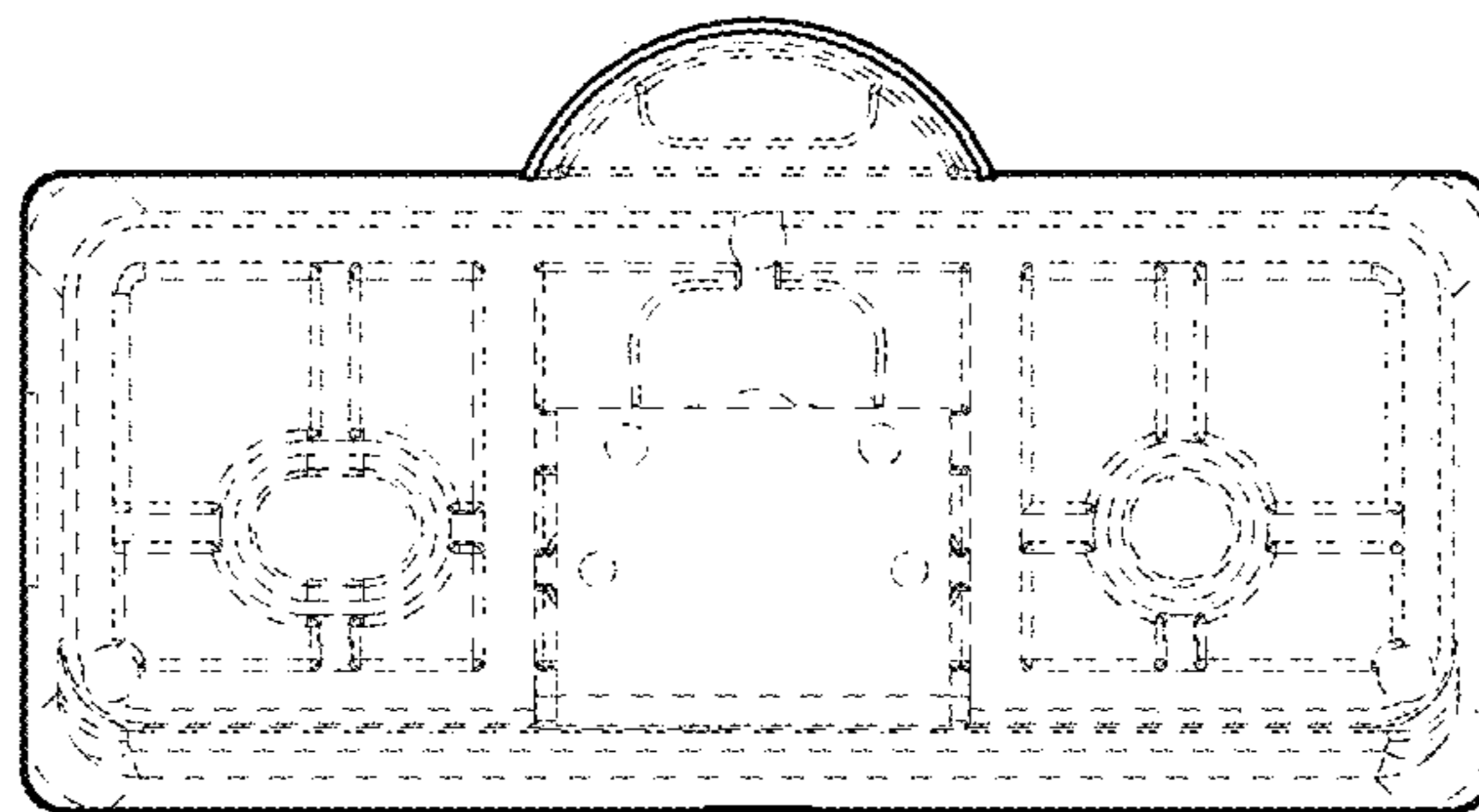


Fig. 7