



US00D894362S

(12) **United States Design Patent**
Zaludova et al.

(10) **Patent No.:** **US D894,362 S**
(45) **Date of Patent:** **** Aug. 25, 2020**

(54) **FRAGRANCE DIFFUSER**

(71) Applicant: **Hya-Scent, Inc.**, San Francisco, CA
(US)

(72) Inventors: **Helena Zaludova**, San Francisco, CA
(US); **Martin Schnitzer**, Graz (AT)

(**) Term: **15 Years**

(21) Appl. No.: **29/666,527**

(22) Filed: **Oct. 12, 2018**

Related U.S. Application Data

(63) Continuation-in-part of application No. 15/782,794,
filed on Oct. 12, 2017, now Pat. No. 10,279,067.

(51) **LOC (12) Cl.** **23-04**

(52) **U.S. Cl.**
USPC **D23/366**

(58) **Field of Classification Search**
USPC D23/208, 355–369; D11/144, 152–153
CPC A61L 9/02; A61L 9/03; A61L 9/12
See application file for complete search history.

(56) **References Cited**

U.S. PATENT DOCUMENTS

940,604 A	11/1909	Leathers
1,994,932 A	3/1935	Lucien
D96,731 S	9/1935	Dougherty
D108,220 S	2/1938	Shapiro
2,120,204 A	6/1938	Langhorst
D113,230 S	10/1938	Karstadt
D120,226 S	4/1940	Lundy
D162,679 S	3/1951	Munnecke
2,597,195 A	5/1952	Smith
2,802,695 A	8/1957	Johnson
2,804,291 A	8/1957	Segerstad
2,824,208 A	2/1958	Bauer
2,847,976 A	8/1958	Spaulding
D189,393 S	12/1960	Schlumbohm
3,283,787 A	11/1966	Davis

3,550,853 A	12/1970	Gray
3,685,734 A	8/1972	Paciorek et al.
3,972,473 A	8/1976	Harrison
4,084,732 A	4/1978	Dearling
4,145,001 A	3/1979	Weyenberg et al.
(Continued)		

FOREIGN PATENT DOCUMENTS

EP	0864330	9/1998
EP	1088562	4/2001
(Continued)		

OTHER PUBLICATIONS

Diptyque Hourglass Diffuser Product Reference, Mar. 15, 2014, 6
pages.
(Continued)

Primary Examiner — Janice Hallmark

(57) **CLAIM**

The ornamental design of a fragrance diffuser, as shown and
described.

DESCRIPTION

FIG. 1 shows a perspective view of a design of a fragrance
diffuser.

FIG. 2 shows a first side view of the design.

FIG. 3 shows a second side view of the design, rotated a
¼-turn relative to the first side view.

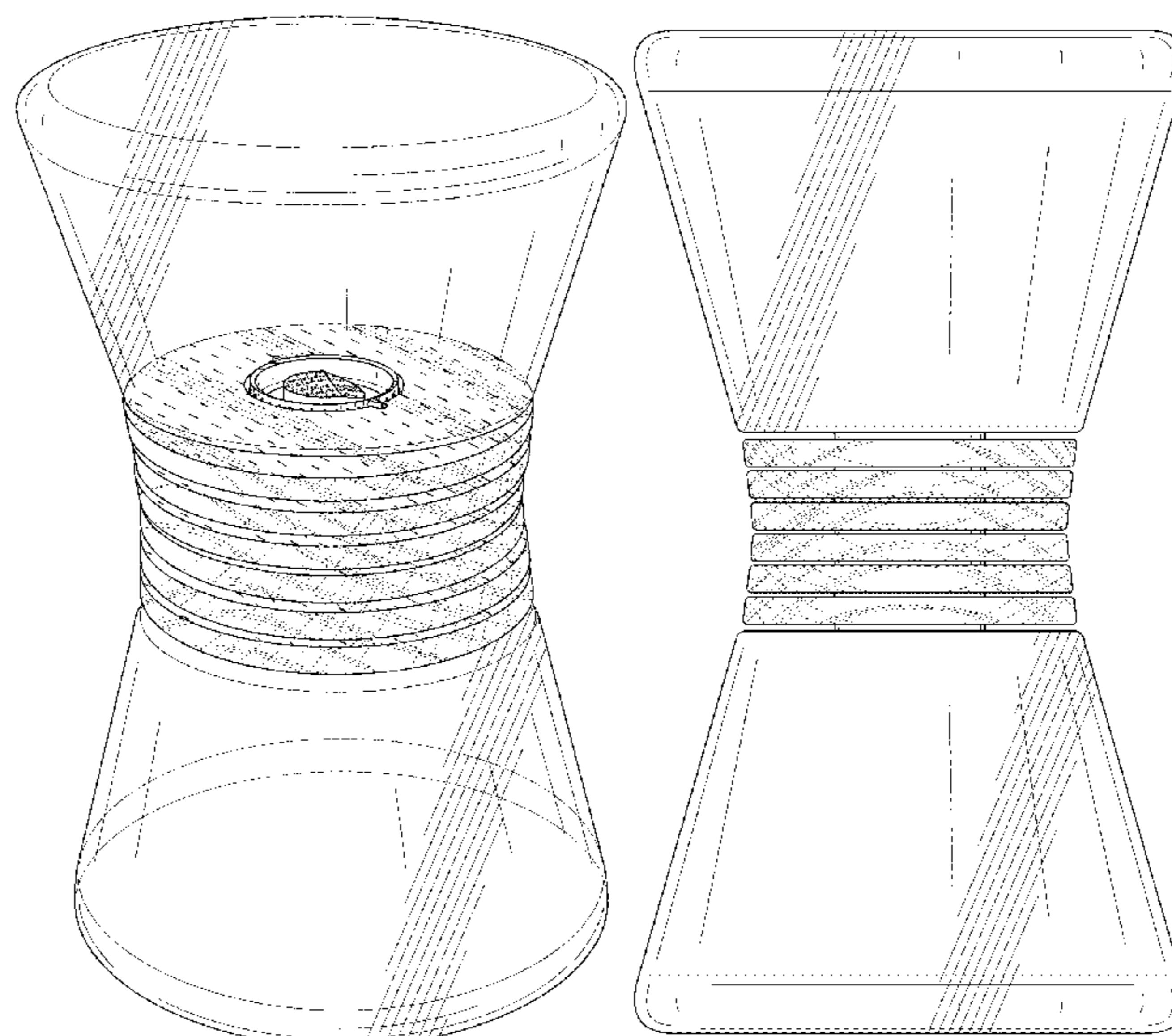
FIG. 4 shows a top view of the design.

FIG. 5 shows a bottom view of the design; and,

FIG. 6 shows a perspective view of the design in use with
liquid in the containers.

The broken lines illustrate structure or features which form
no part of the claimed design. The wood grain pattern and
texture in FIGS. 1-6 and the liquid in FIG. 6 form no part of
the claimed design.

1 Claim, 6 Drawing Sheets



(56)

References Cited

U.S. PATENT DOCUMENTS

4,149,675 A 4/1979 Van Breen et al.
 4,158,440 A 6/1979 Sullivan et al.
 4,226,829 A 10/1980 Mike
 4,286,754 A 9/1981 Jones
 4,413,779 A 11/1983 Santini
 D273,415 S 4/1984 Rogers
 4,454,987 A 6/1984 Mitchell
 4,605,165 A 8/1986 Van Loveren et al.
 4,726,519 A 2/1988 Muoio
 4,747,539 A 5/1988 Spector
 4,780,253 A 10/1988 Fukuhara et al.
 5,050,798 A 9/1991 Sullivan
 D321,669 S * 11/1991 Hoehne D10/44
 5,069,231 A 12/1991 Rutherford
 D323,290 S 1/1992 Keedy, Jr.
 5,139,864 A 8/1992 Lindauer
 5,242,111 A 9/1993 Nakoneczny et al.
 5,263,274 A 11/1993 Speed
 5,361,522 A 11/1994 Green
 5,364,027 A 11/1994 Kuhn
 D372,769 S 8/1996 Ganor
 5,556,030 A 9/1996 Paul
 5,755,381 A 5/1998 Yazaki
 D397,912 S 9/1998 Goessling, Jr.
 5,845,847 A 12/1998 Martin et al.
 D406,986 S 3/1999 Lewis
 D412,085 S 7/1999 Roush et al.
 D417,591 S 12/1999 Roehrig
 D420,603 S * 2/2000 Morga D10/44
 6,050,551 A 4/2000 Anderson
 D436,657 S 1/2001 Heatter
 D442,029 S 5/2001 Otake
 6,481,639 B1 11/2002 Pozzo
 6,551,560 B1 4/2003 Flashinski et al.
 D475,890 S 6/2003 Mazonkey
 D477,661 S 7/2003 Pinchuk
 D489,225 S 5/2004 Leinenweber
 6,899,280 B2 5/2005 Kotary et al.
 6,913,733 B2 7/2005 Hardy et al.
 D513,797 S 1/2006 Wang
 6,994,799 B2 2/2006 Van Driessche et al.
 D536,262 S 2/2007 Ioannides et al.
 D562,956 S 2/2008 Martinez et al.

D572,083 S 7/2008 Tien
 D574,076 S 7/2008 Baraky
 D582,534 S 12/2008 Conway et al.
 D584,947 S 1/2009 Bourne
 7,481,380 B2 1/2009 Kvietok et al.
 D588,409 S 3/2009 Kleckauskas et al.
 D593,802 S 6/2009 Baek
 D599,899 S 9/2009 Thompson
 D612,037 S 3/2010 Jorgensen
 D615,413 S 5/2010 Gilbert et al.
 D633,191 S 2/2011 Sato
 D637,456 S * 5/2011 Creech D7/509
 D639,114 S 6/2011 Swinford et al.
 8,235,308 B2 8/2012 Gaines et al.
 D670,094 S * 11/2012 Prestandrea D6/351
 D678,493 S 3/2013 Lacotta et al.
 D726,031 S * 4/2015 Bodum D10/44
 D752,727 S 3/2016 Tracey
 D757,571 S * 5/2016 Newson D10/44
 D758,802 S 6/2016 Bodum
 9,382,034 B2 7/2016 Baker et al.
 D780,604 S * 3/2017 Phairas D10/44
 D825,730 S 8/2018 Servaire
 D848,052 S * 5/2019 Qiu D26/110
 2006/0076429 A1 4/2006 Kvietok et al.
 2006/0097065 A1 5/2006 Kvietok et al.
 2006/0233538 A1 10/2006 Tollens et al.
 2007/0023541 A1 2/2007 Brown et al.
 2007/0176015 A1 8/2007 Farrell et al.
 2015/0190542 A1 7/2015 Lamboux et al.
 2018/0099067 A1 4/2018 Zaludova et al.

FOREIGN PATENT DOCUMENTS

EP 1076014 12/2004
 FR 3019048 10/2015
 WO 2005032606 4/2005
 WO 2011128604 10/2011

OTHER PUBLICATIONS

International Search Report, PCT Application PCT/US2017/056416, dated Mar. 1, 2018, 3 Pages.

* cited by examiner

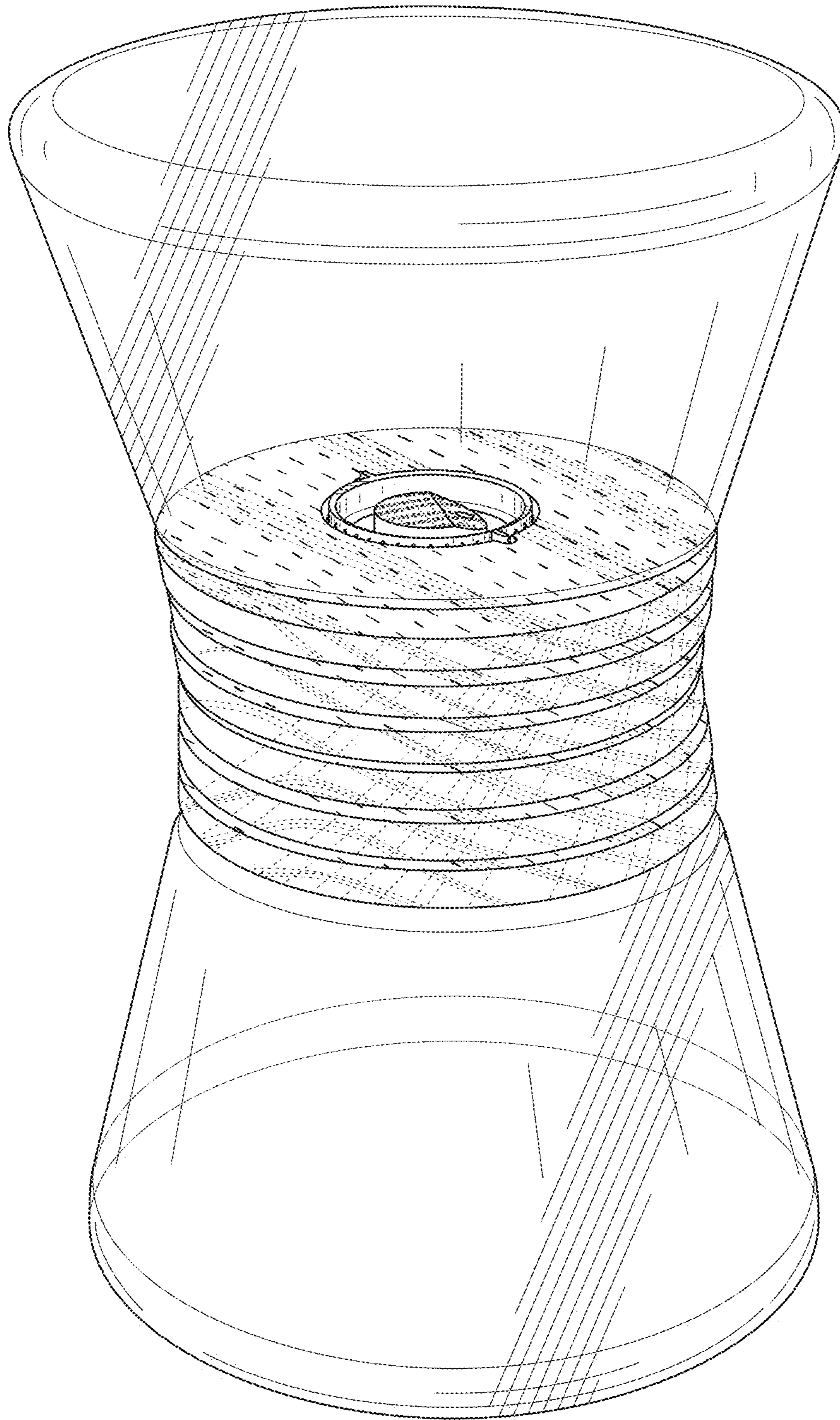


FIG. 1

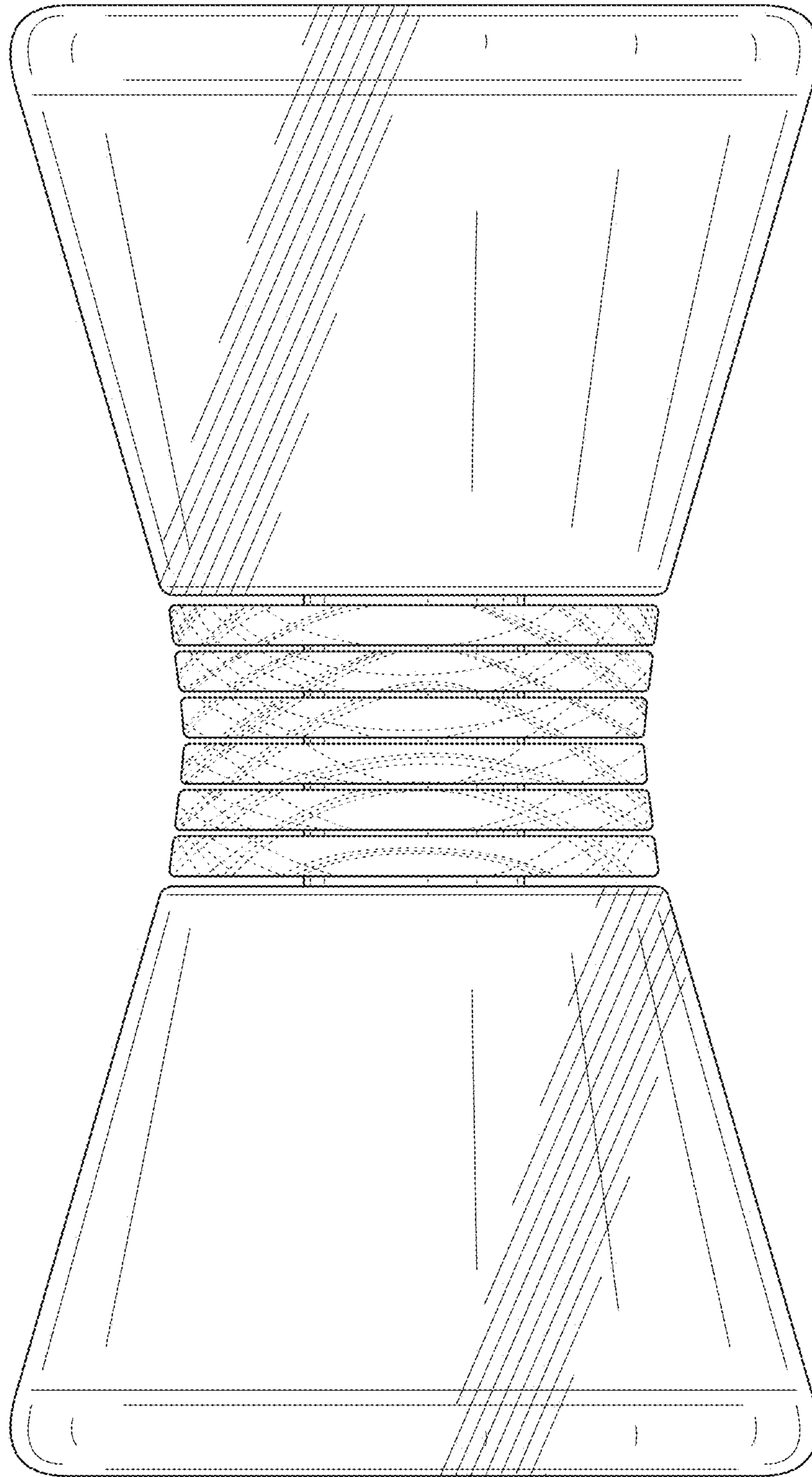


FIG. 2

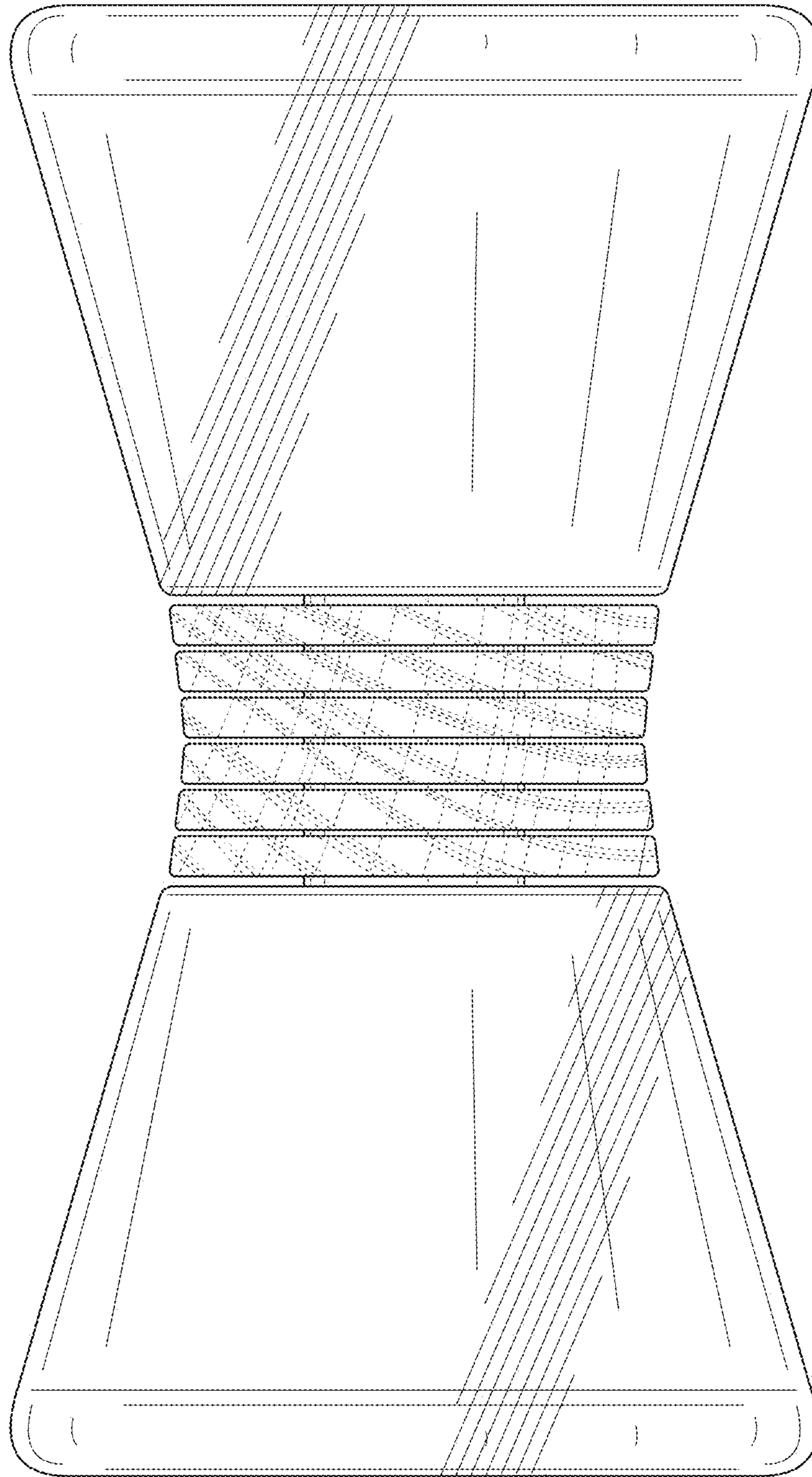


FIG. 3

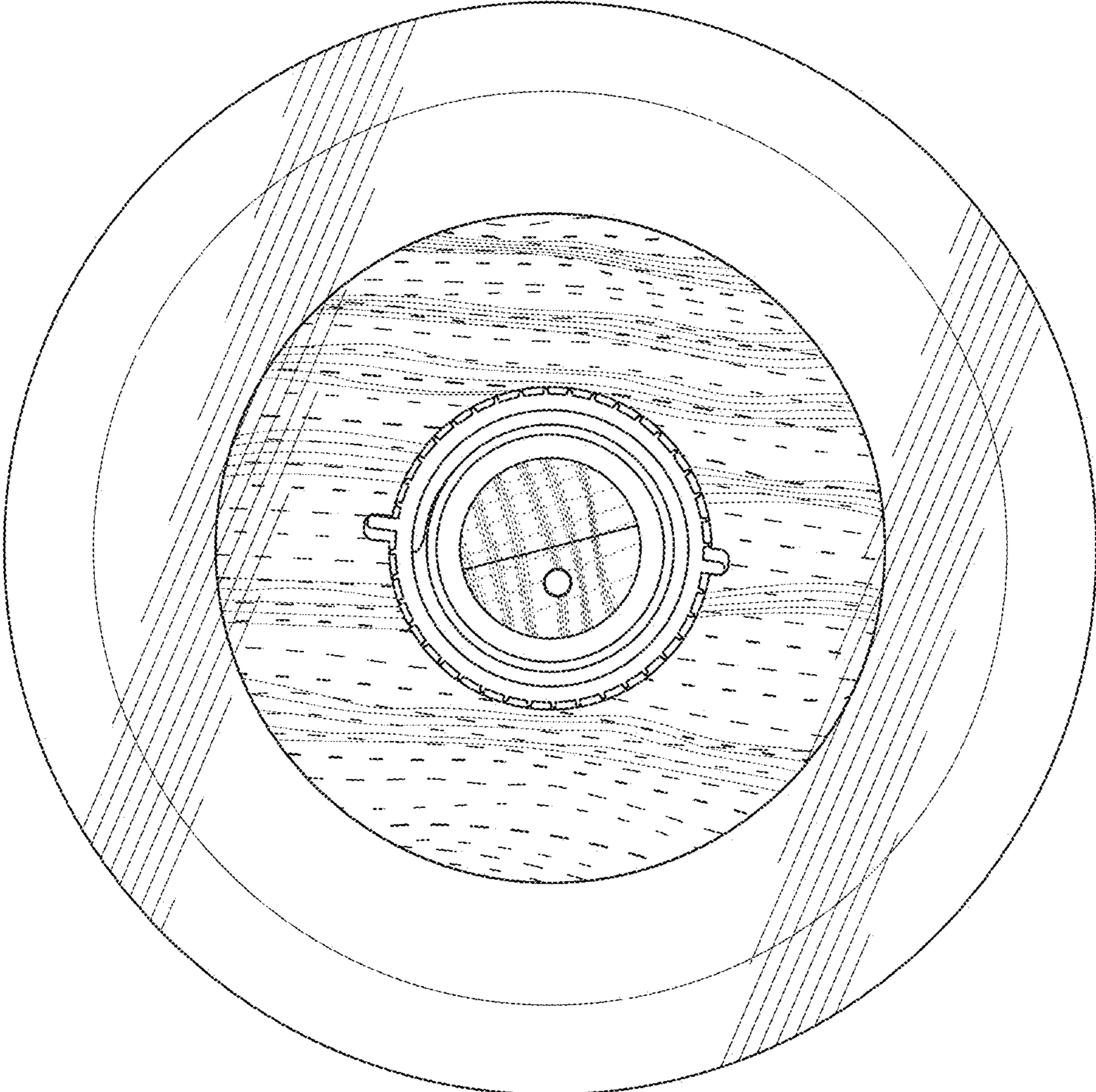


FIG. 4

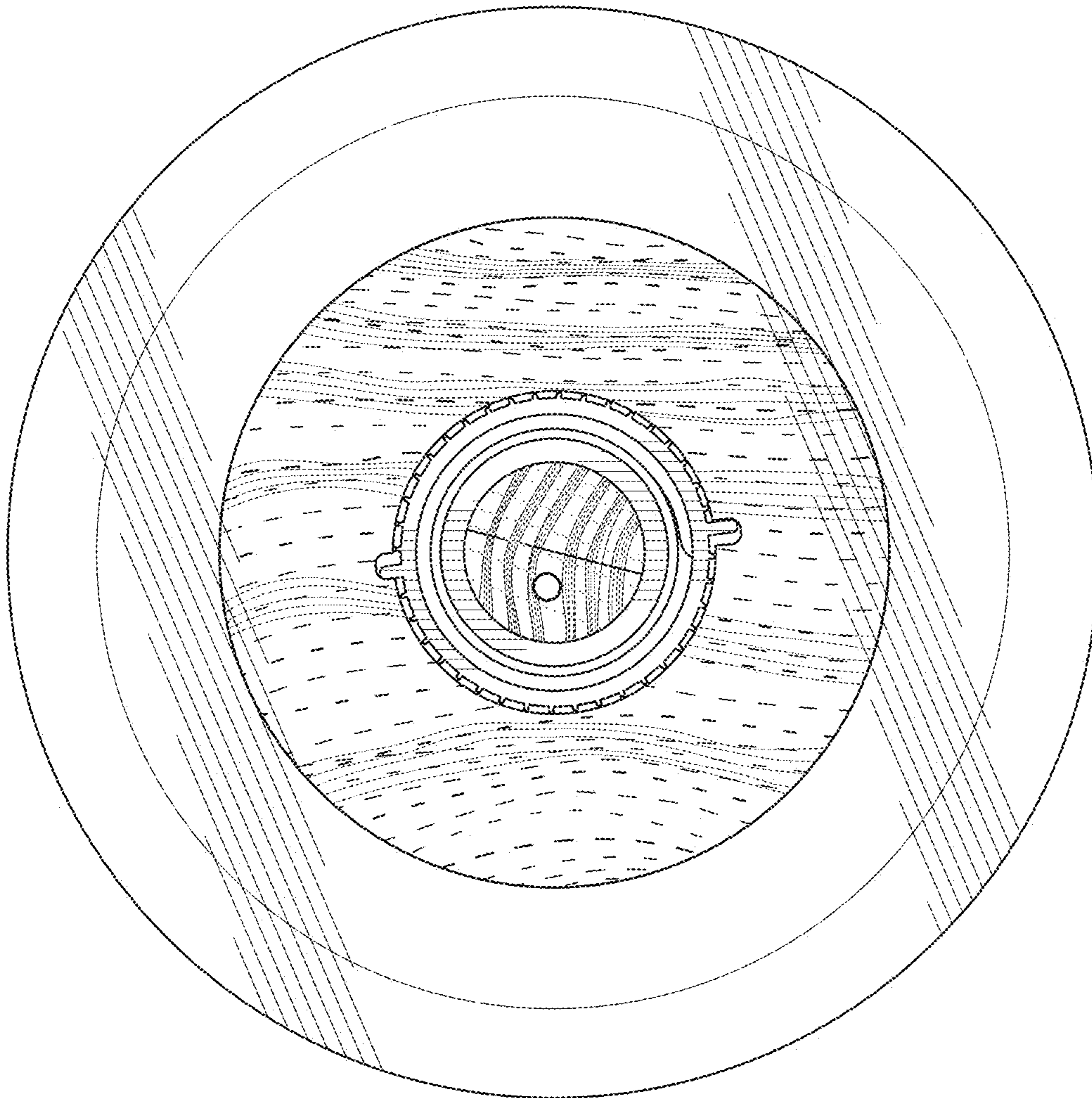


FIG. 5

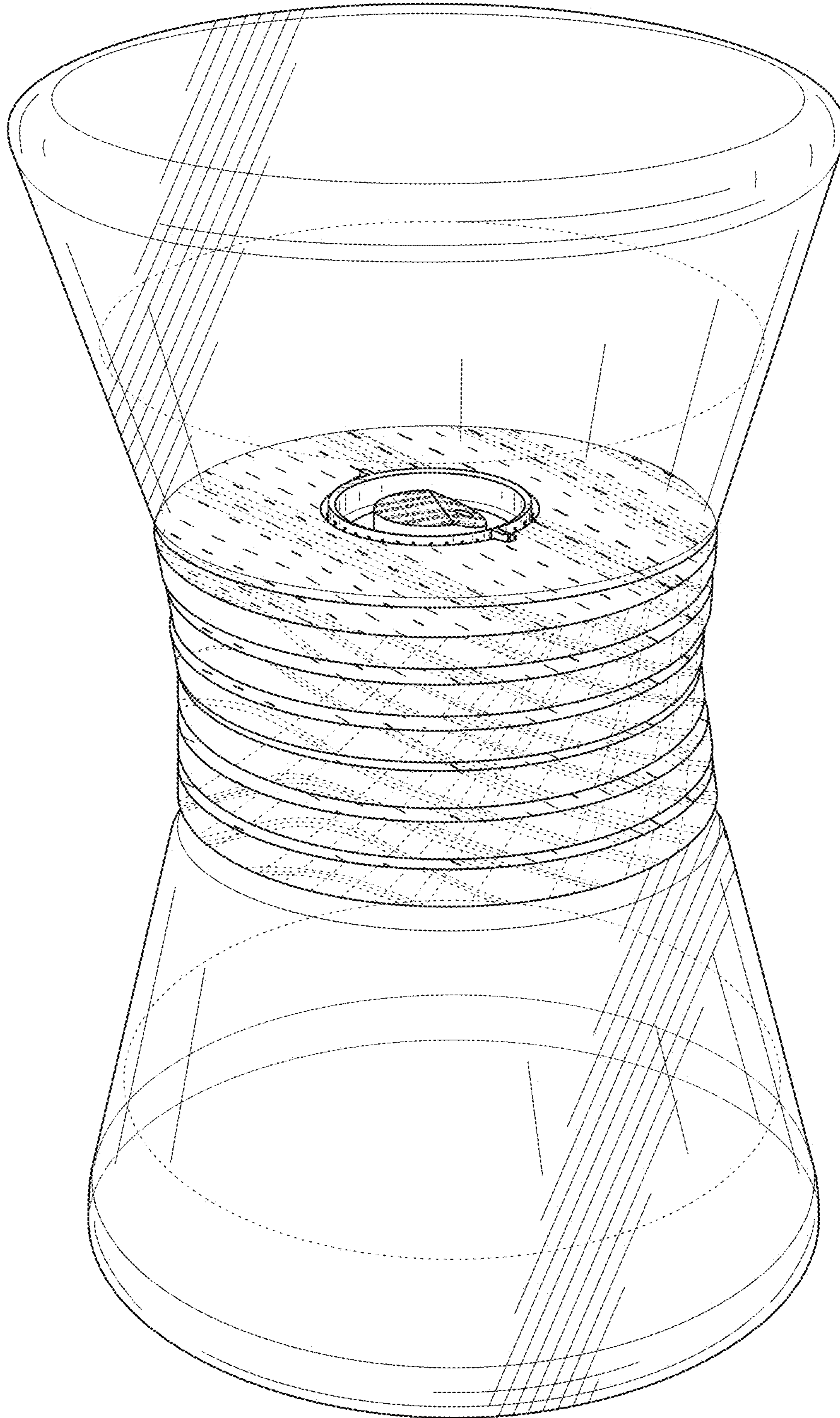


FIG. 6