



US00D894358S

(12) **United States Design Patent** (10) **Patent No.:** **US D894,358 S**
Bottaro (45) **Date of Patent:** **** Aug. 25, 2020**

(54) **VENTILATION AND AIR CONDITIONER EQUIPMENT**

(71) Applicant: **INNOVA S.r.l.**, Storo (TN) (IT)
(72) Inventor: **Oreste Bottaro**, Sella Giudicarie (IT)
(73) Assignee: **INNOVA S.R.L.**, Storo (TN) (IT)
(**) Term: **15 Years**

D238,076 S 12/1975 Newgard et al.
D238,278 S 12/1975 Baker
D253,782 S 12/1979 Engalitcheff, Jr.
4,227,068 A 10/1980 Carter
D271,328 S 11/1983 Lanier et al.
D307,466 S 4/1990 Takasuna et al.
D318,724 S 7/1991 Avari
D319,499 S 8/1991 Hague
D322,667 S 12/1991 Fukuda et al.
D340,972 S 11/1993 Johnson, III et al.
D366,695 S * 1/1996 Berzaluce D23/364
D446,850 S * 8/2001 Arlotta D23/393

(21) Appl. No.: **29/693,825**
(22) Filed: **Jun. 5, 2019**

Related U.S. Application Data

(62) Division of application No. 29/626,953, filed on Nov. 21, 2017.

Foreign Application Priority Data

May 24, 2017 (EM) 004017184-0001
May 24, 2017 (EM) 004017184-0002
May 24, 2017 (EM) 004017184-0003
May 24, 2017 (EM) 004017184-0004

(51) **LOC (12) Cl.** **23-04**
(52) **U.S. Cl.**
USPC **D23/354**

(58) **Field of Classification Search**
USPC D23/351, 353, 354, 267, 343-348, 370,
D23/371, 373-376, 378-386, 393, 333,
D23/364-365; D14/439-441
CPC F24F 13/078; F24F 7/007; F24F 7/065;
F24F 2221/14; F24F 2013/205; F21V
33/0096; F21V 33/0088; F04D 29/626;
F04D 29/4226
See application file for complete search history.

(56) **References Cited**

U.S. PATENT DOCUMENTS

D144,721 S 5/1946 Koch
D198,821 S 8/1964 Hoyle

OTHER PUBLICATIONS

Ventilation and air conditioning equipment, Application No. 003027226-0002, application date Mar. 14, 2016, date published Mar. 16, 2016, published in EU, site visited Sep. 25, 2019, available at www.orbit.com.*

Primary Examiner — Cathron C Brooks
Assistant Examiner — Sharon S Oum
(74) *Attorney, Agent, or Firm* — Volpe and Koenig, P.C.

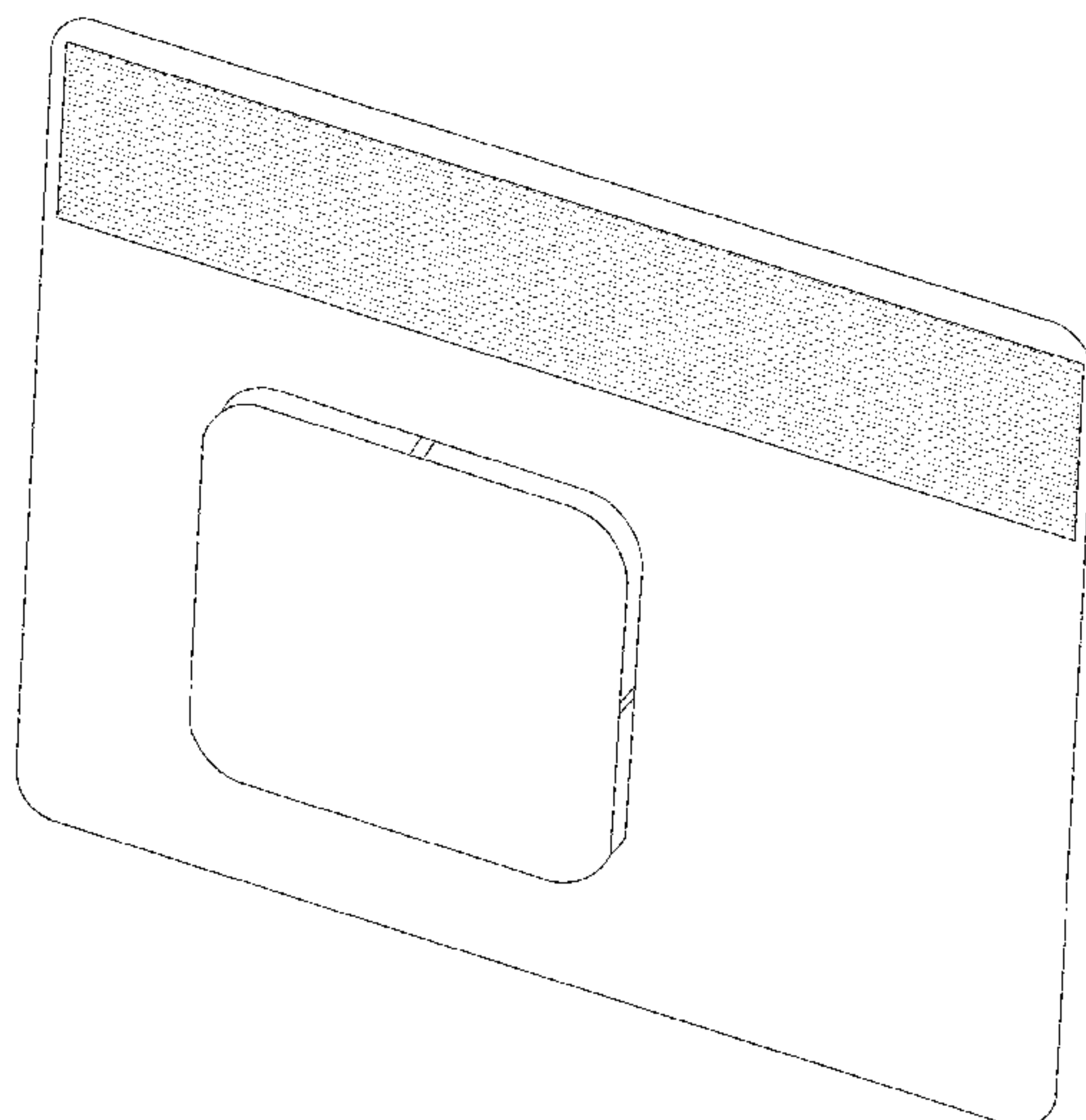
(57) **CLAIM**

The ornamental design for ventilation and air conditioner equipment, as shown and described.

DESCRIPTION

FIG. 1 is a bottom view of the ventilation and air conditioner equipment according to my new design;
FIG. 2 is a right side view thereof;
FIG. 3 is a left side view thereof;
FIG. 4 is a rear view thereof;
FIG. 5 is a front view thereof;
FIG. 6 is a bottom rear right isometric view thereof;
FIG. 7 is a top another bottom rear right isometric view thereof; and,
FIG. 8 is a bottom rear left isometric view thereof.

1 Claim, 8 Drawing Sheets



(56)

References Cited

U.S. PATENT DOCUMENTS

D497,983 S 11/2004 Nanjo et al.
 D497,984 S * 11/2004 Tokunaga D23/364
 D539,883 S * 4/2007 Lee D23/351
 D555,776 S * 11/2007 Chiu D23/364
 D558,865 S 1/2008 Yoo et al.
 D560,787 S * 1/2008 Yoo D23/351
 D561,322 S 2/2008 Hong
 D584,393 S 1/2009 Miyake et al.
 D584,394 S 1/2009 Miyake et al.
 D591,409 S 4/2009 Kashimoto
 D595,397 S 6/2009 Park et al.
 D603,032 S * 10/2009 Okamoto D23/364
 D618,778 S 6/2010 Kuepper et al.
 D627,043 S * 11/2010 Tanaka D23/351
 D631,533 S 1/2011 Gallo
 D657,032 S 4/2012 Chouji
 D693,918 S * 11/2013 Whalen D23/405
 D734,445 S 7/2015 Huang

D748,239 S 1/2016 Daniels
 D762,290 S * 7/2016 Jepson D23/342
 D766,413 S * 9/2016 Zhou D23/354
 D775,316 S 12/2016 Nakai et al.
 D782,637 S * 3/2017 Woo D23/333
 D783,136 S * 4/2017 Park D23/351
 D793,542 S * 8/2017 Zhou D23/354
 D794,762 S 8/2017 Flowers et al.
 D797,269 S 9/2017 Kudo et al.
 D797,915 S 9/2017 Lewis
 D802,107 S * 11/2017 Schumann D23/330
 D810,257 S 2/2018 Lai et al.
 D810,259 S 2/2018 You et al.
 D830,526 S 10/2018 Niki
 D847,962 S 5/2019 Shin et al.
 D848,592 S 5/2019 Zhang et al.
 D852,342 S * 6/2019 Kosuge D23/351
 D852,937 S * 7/2019 Kim D23/351
 D855,166 S 7/2019 Bae et al.
 D860,422 S 9/2019 Zhou et al.

* cited by examiner

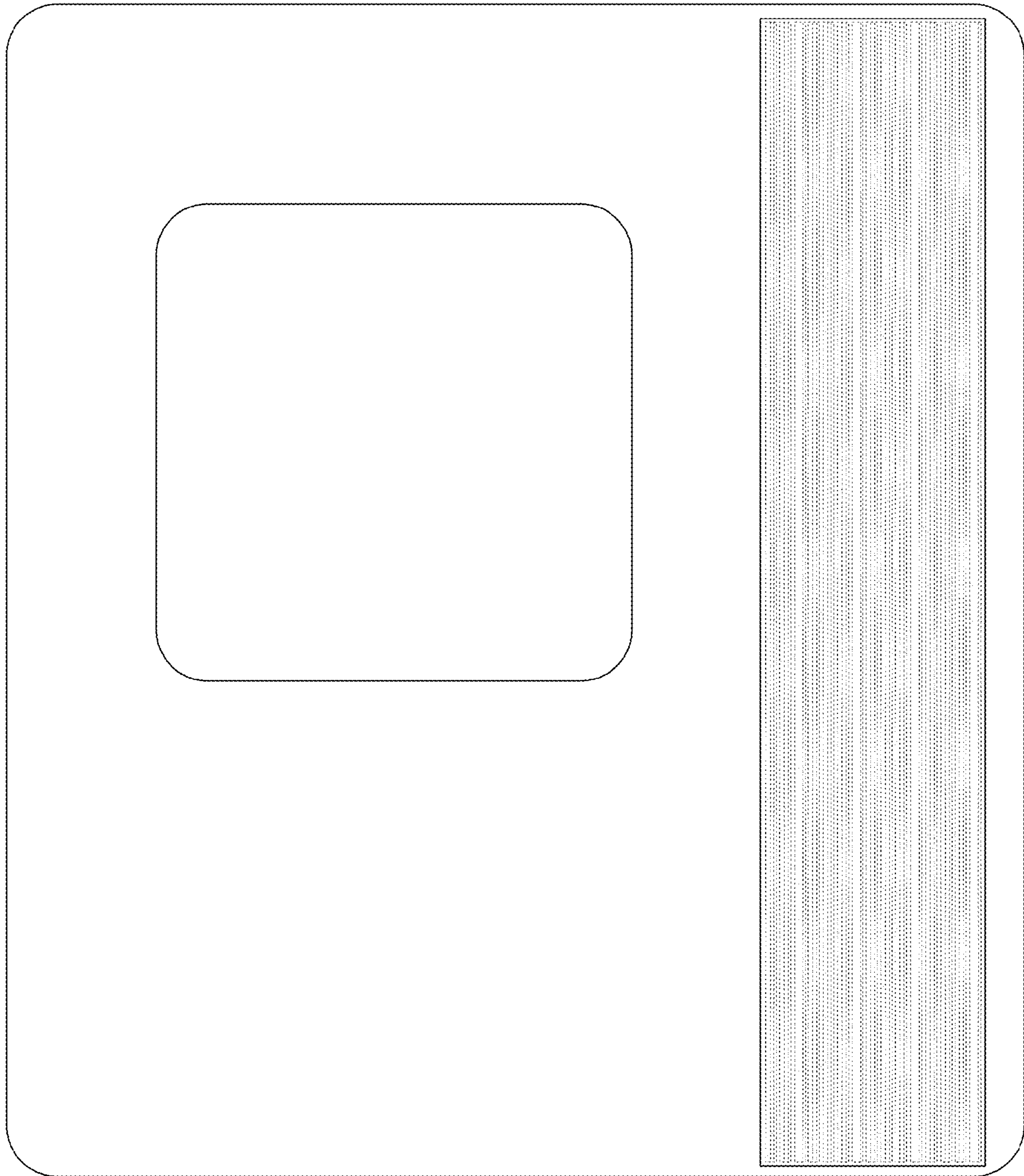


FIG. 1

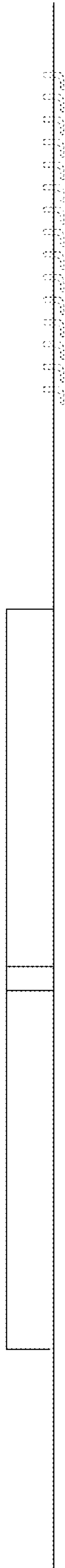


FIG. 2

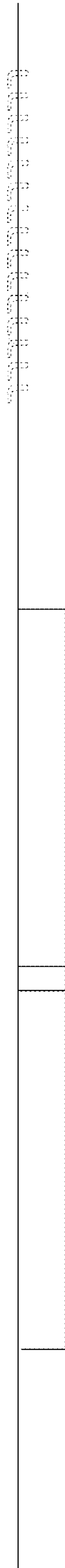


FIG. 3

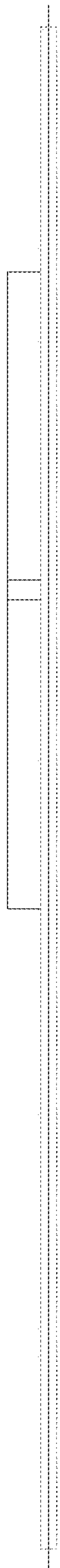


FIG. 4

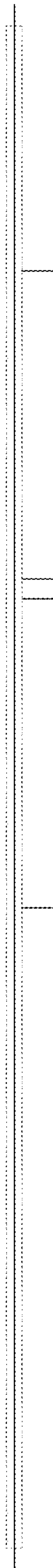


FIG. 5

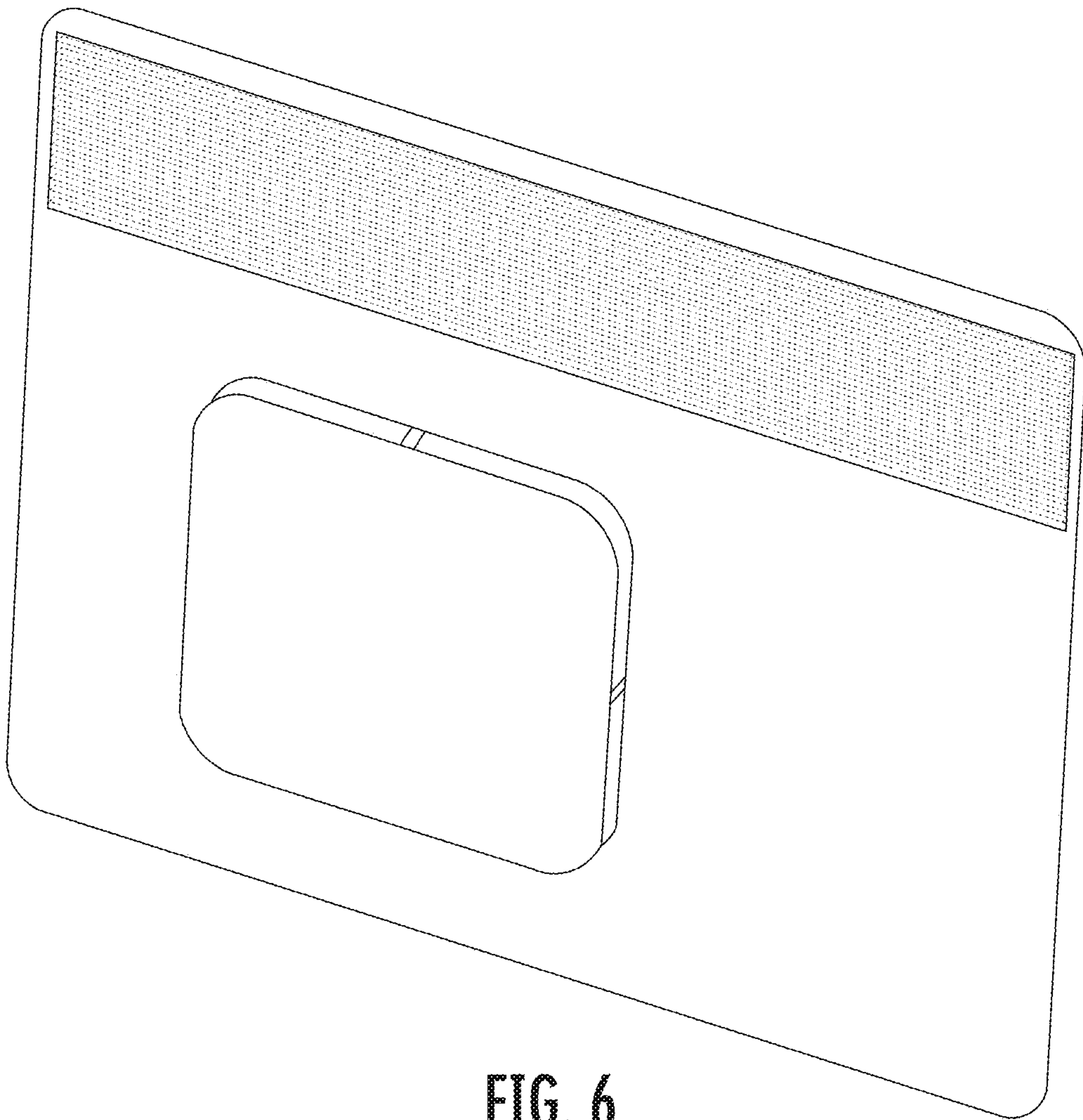


FIG. 6

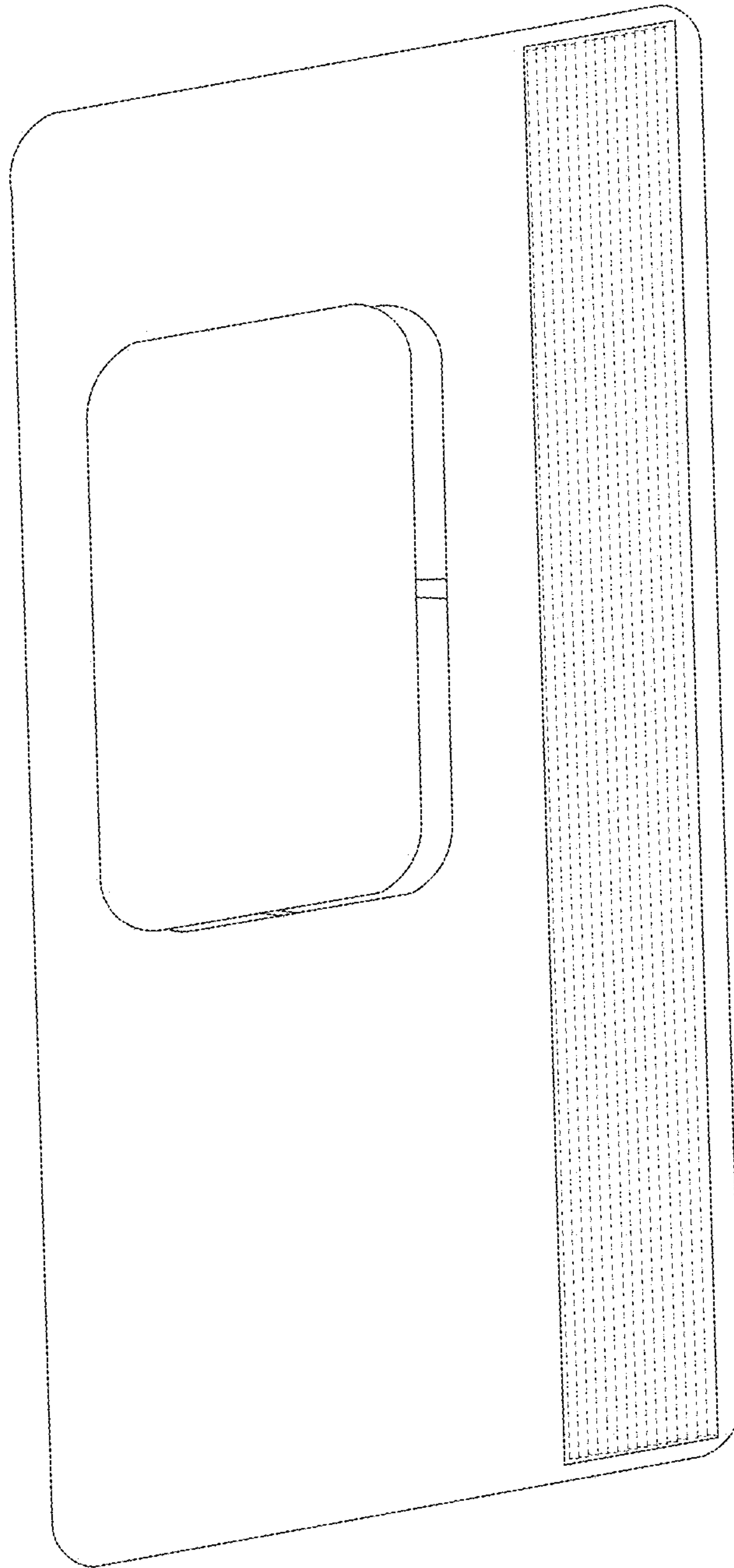


FIG. 7

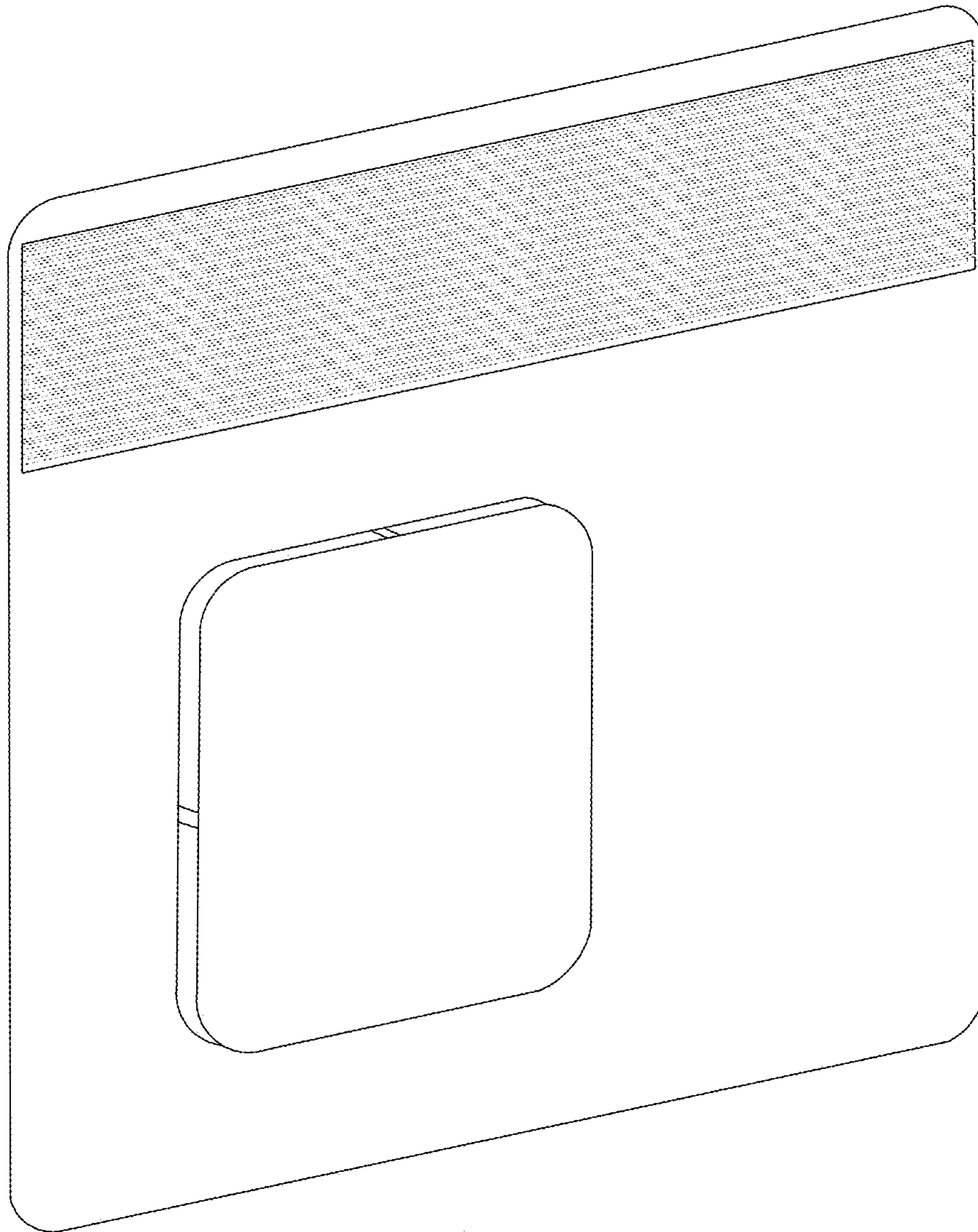


FIG. 8

UNITED STATES PATENT AND TRADEMARK OFFICE
CERTIFICATE OF CORRECTION

PATENT NO. : D894,358 S
APPLICATION NO. : 29/693825
DATED : August 25, 2020
INVENTOR(S) : Oreste Bottaro

Page 1 of 1

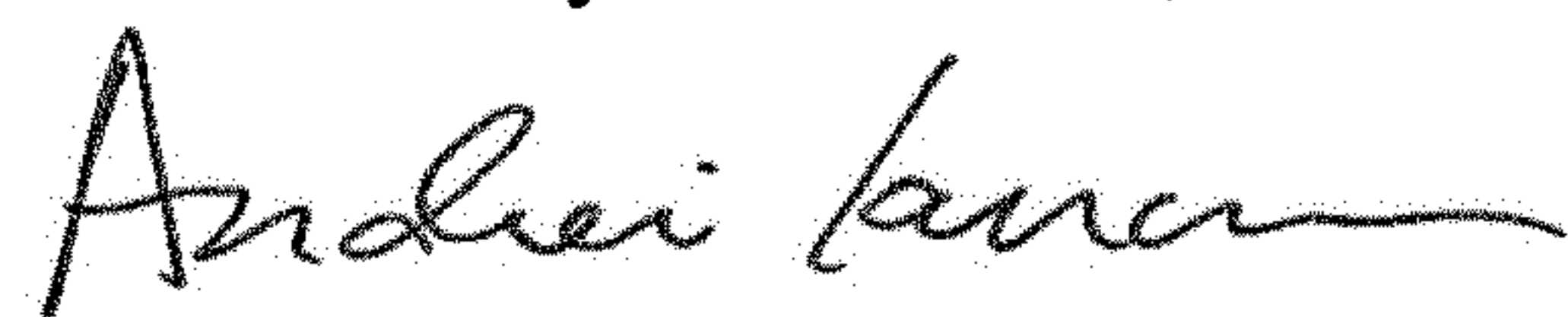
It is certified that error appears in the above-identified patent and that said Letters Patent is hereby corrected as shown below:

On the Title Page

Column 2, Item (57) In the DESCRIPTION, Line 8 beginning with "FIG. 7...", delete the words "a top" therefor.

Column 2, Item (57) In the DESCRIPTION, after Line 10 beginning with "FIG. 8...", insert:
--The broken lines show portions of the VENTILATION AND AIR CONDITIONER EQUIPMENT that form no part of the claimed design.--.

Signed and Sealed this
Sixth Day of October, 2020



Andrei Iancu
Director of the United States Patent and Trademark Office