



US00D894355S

(12) **United States Design Patent**
Wang et al.

(10) **Patent No.:** **US D894,355 S**

(45) **Date of Patent:** **** Aug. 25, 2020**

(54) **INTELLIGENT TOILET SEAT COVER**

(71) Applicant: **Zhejiang IKAHE Sanitary Ware Co., Ltd.**, Taizhou (CN)

(72) Inventors: **Xingyu Wang**, Taizhou (CN); **Chenyi Guan**, Taizhou (CN); **Rui Liu**, Taizhou (CN); **Feng Lin**, Taizhou (CN); **Weijian Cai**, Taizhou (CN); **Jinguang Yuan**, Taizhou (CN)

(73) Assignee: **Zhejiang IKAHE Sanitary Ware Co., Ltd.**, Taizhou (CN)

(**) Term: **15 Years**

(21) Appl. No.: **29/714,592**

(22) Filed: **Nov. 25, 2019**

(30) **Foreign Application Priority Data**

May 28, 2019 (CN) 2019 3 0267933
May 28, 2019 (CN) 2019 3 0268613
May 28, 2019 (CN) 2019 3 0268615

(51) **LOC (12) Cl.** **23-02**

(52) **U.S. Cl.**
USPC **D23/311**

(58) **Field of Classification Search**
USPC D23/295, 300–301, 309, 311–312
CPC A47K 13/00; A47K 13/005; A47K 13/02;
A47K 13/04; A47K 13/14; A47K 13/12
See application file for complete search history.

(56) **References Cited**

U.S. PATENT DOCUMENTS

D367,922 S * 3/1996 Kobayashi D23/311
D692,541 S * 10/2013 Hosoi D23/311

D739,926 S * 9/2015 Inomoto D23/311
D826,387 S * 8/2018 Masuda D23/311
D844,761 S * 4/2019 Nakabayashi D23/311
10,448,791 B2 * 10/2019 Takeshita A47K 13/04
D870,867 S * 12/2019 Xing D23/311

* cited by examiner

Primary Examiner — Robert A Delehanty
(74) *Attorney, Agent, or Firm* — IPro, PLLC

(57) **CLAIM**

The ornamental design for an intelligent toilet seat cover, as shown and described.

DESCRIPTION

FIG. 1 is a perspective view of a first embodiment of an ornamental design for an intelligent toilet seat cover showing our new design;

FIG. 2 is a perspective view viewed from another angle thereof;

FIG. 3 is a front elevation view thereof;

FIG. 4 is a rear elevation view thereof;

FIG. 5 is a left side elevation view thereof;

FIG. 6 is a right side elevation view thereof;

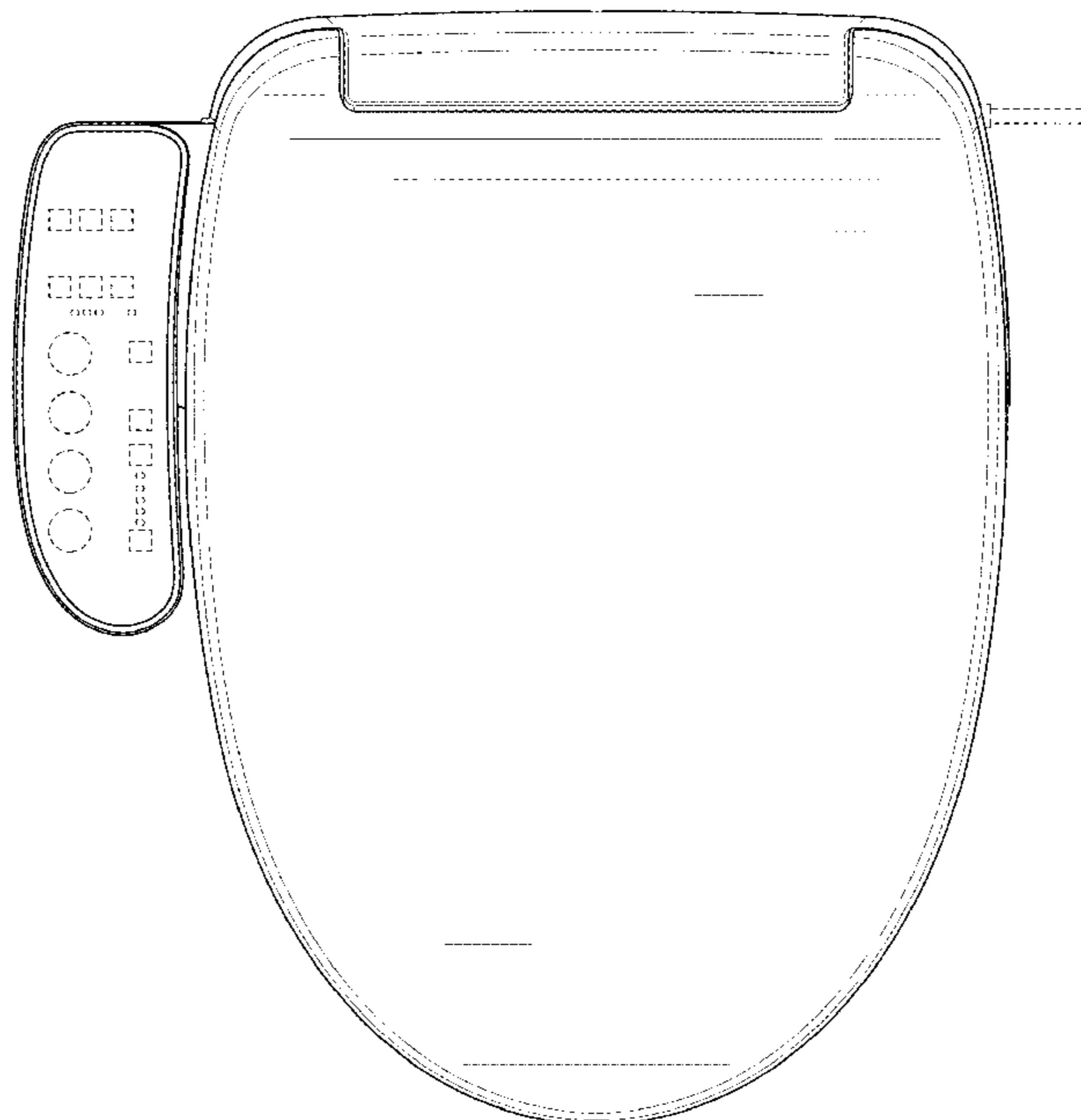
FIG. 7 is a top plan view thereof; and,

FIG. 8 is a bottom plan view thereof.

The broken lines depict portions of the intelligent toilet seat cover in which the design is embodied that form no part of the claimed design.

The shade lines in the figures show contour and not surface ornamentation.

1 Claim, 8 Drawing Sheets



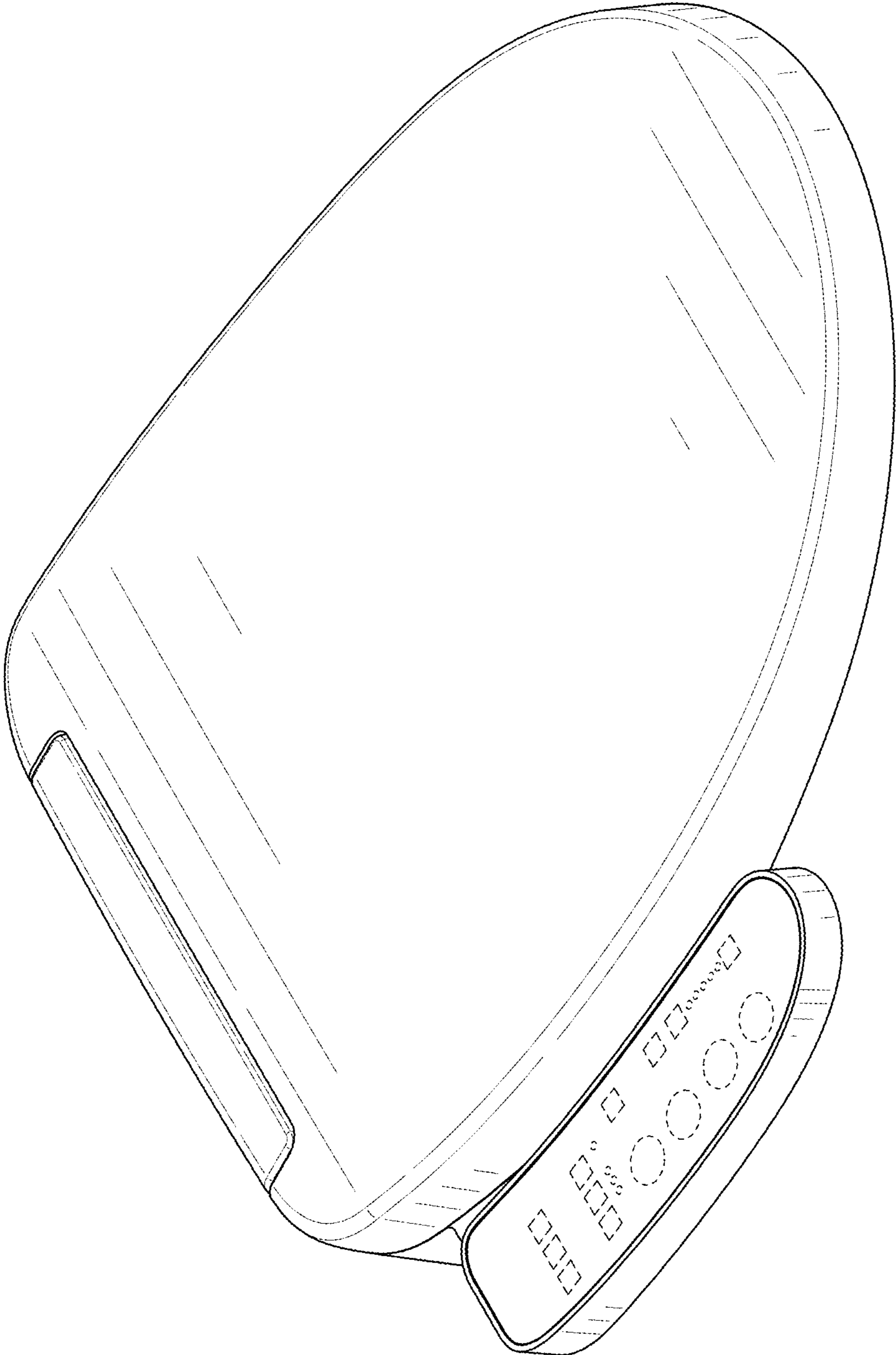


FIG. 1

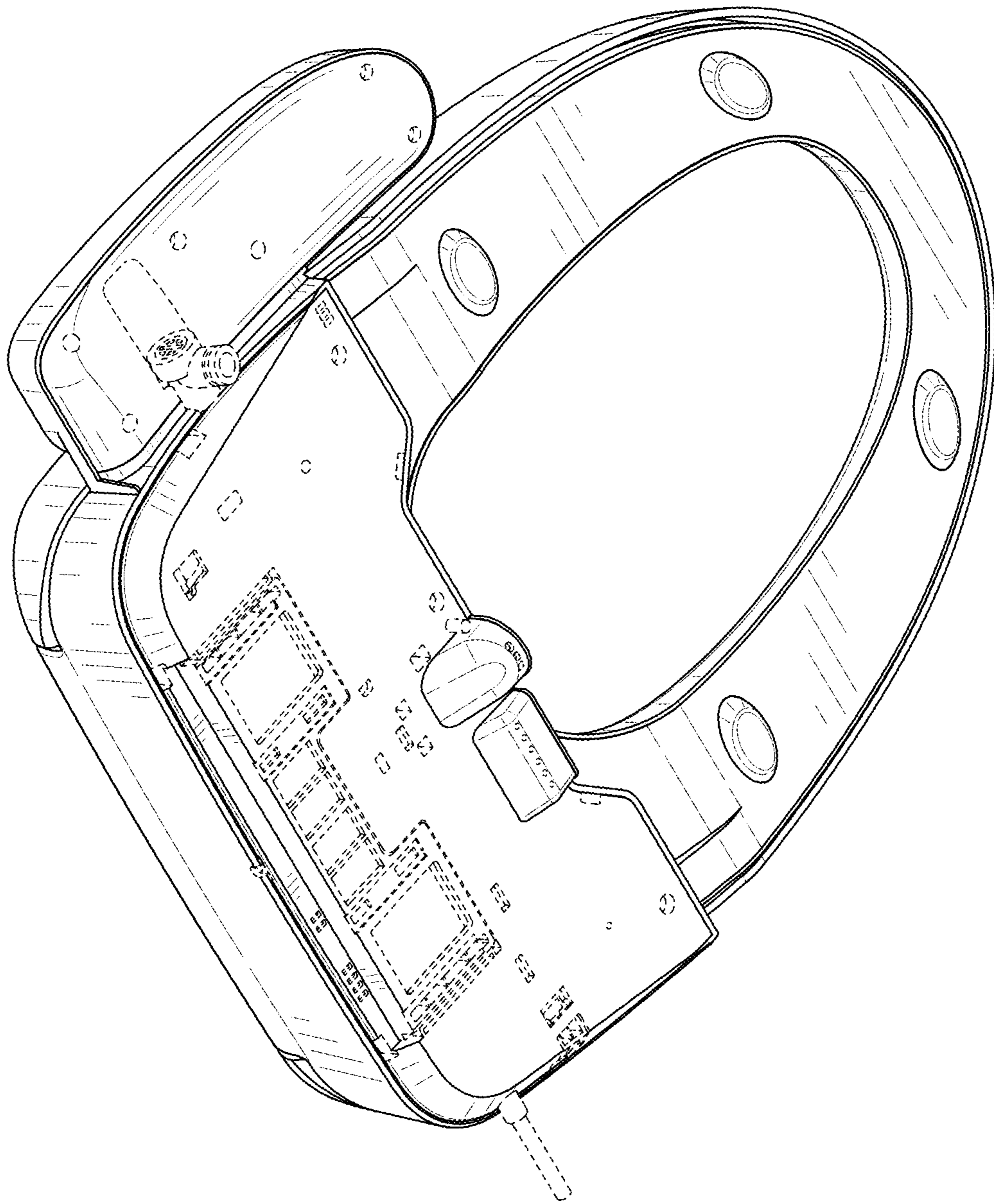


FIG. 2

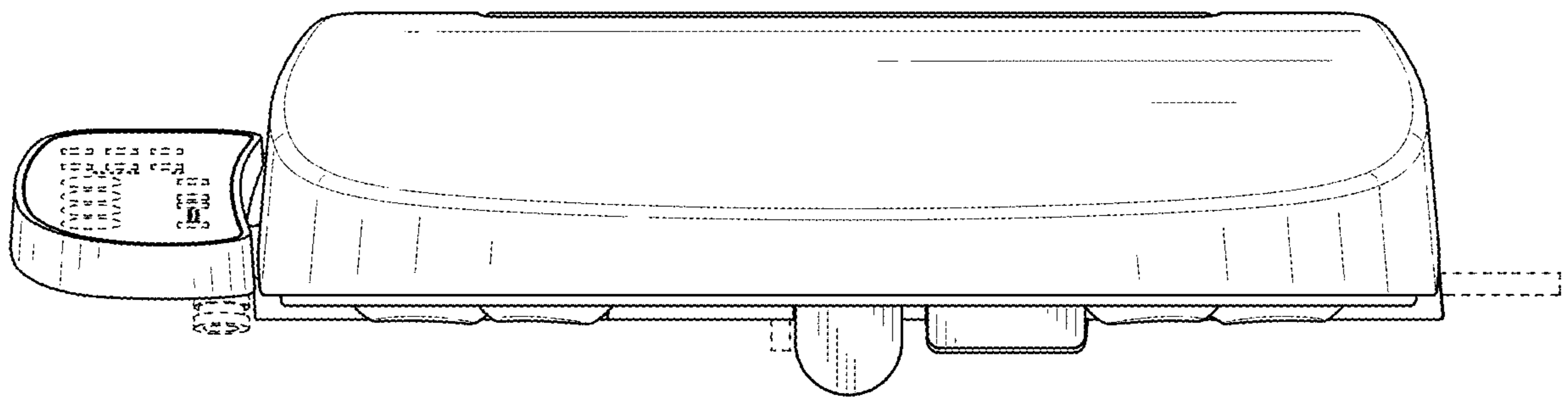


FIG. 3

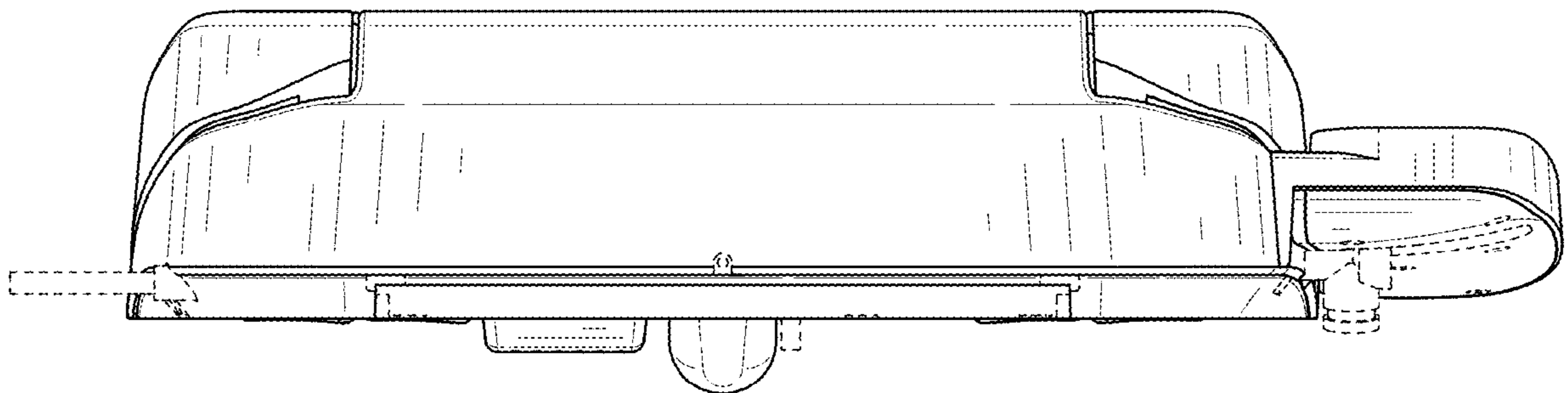


FIG. 4

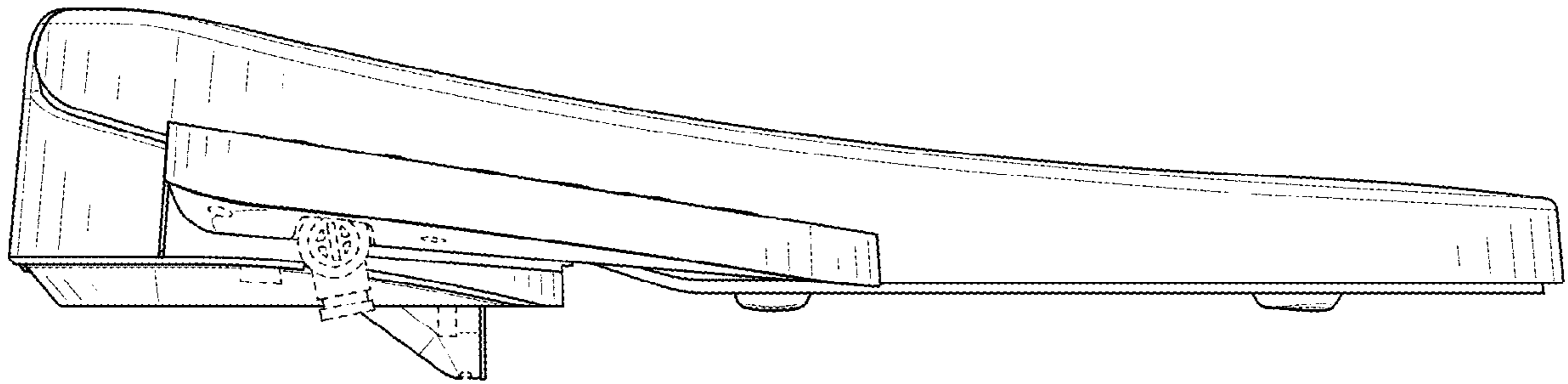


FIG. 5

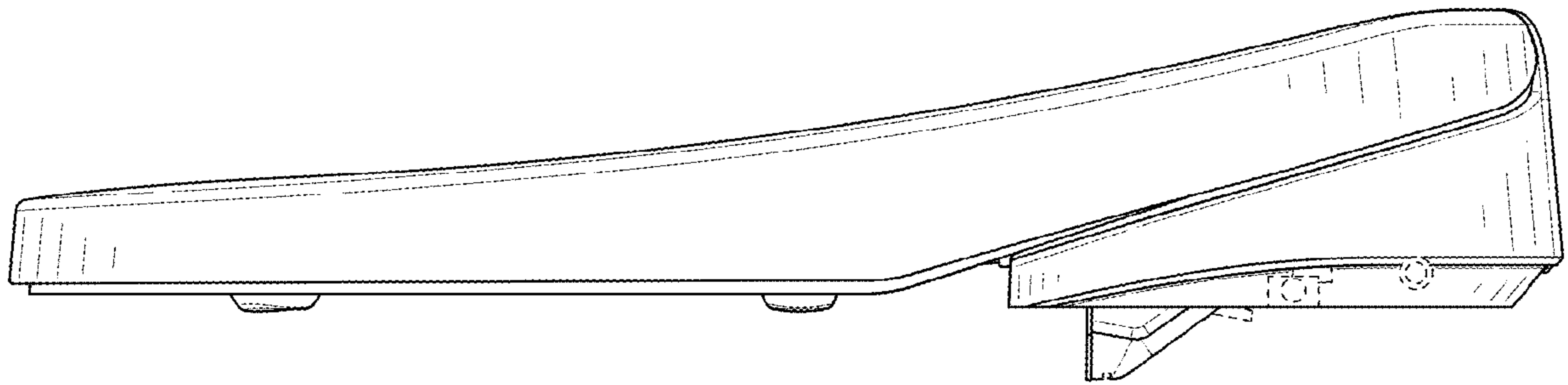


FIG. 6

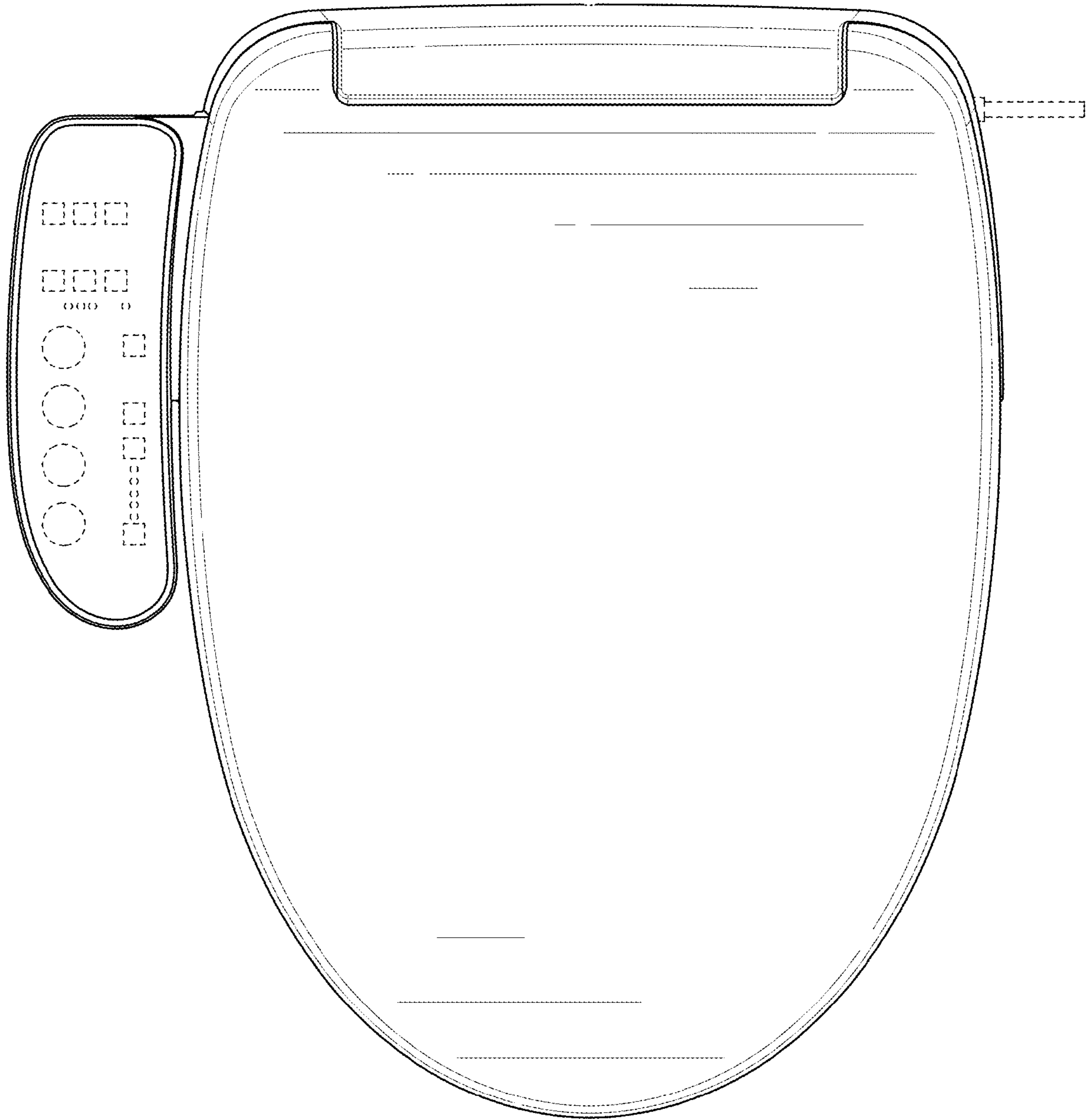


FIG. 7

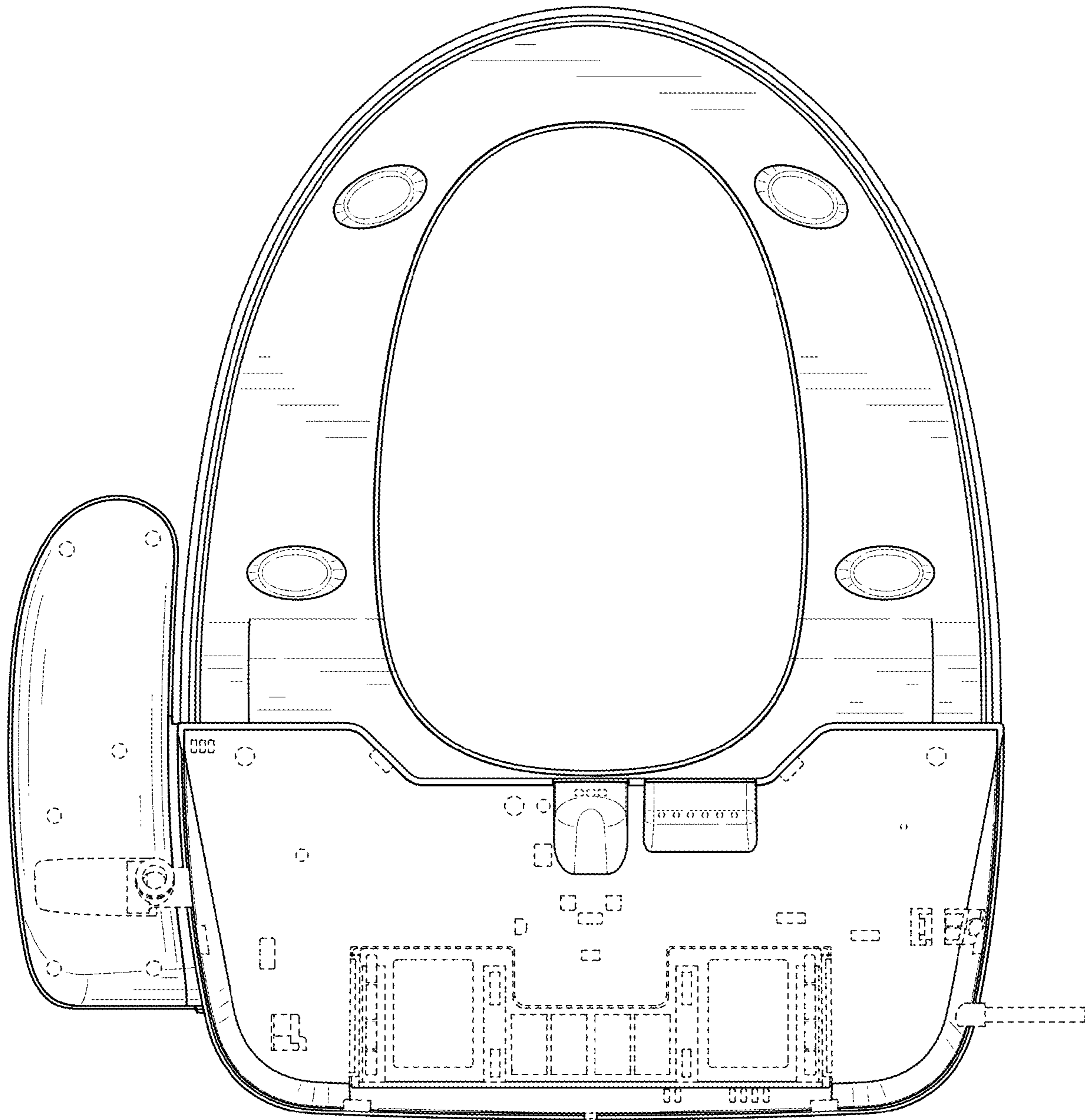


FIG. 8