

US00D894353S

(12) **United States Design Patent**  
**Lee et al.**

(10) **Patent No.:** **US D894,353 S**

(45) **Date of Patent:** **\*\* Aug. 25, 2020**

(54) **BIDET COVER**

(71) Applicant: **Coway Co., Ltd.**,  
Choongcheongnam-do (KR)

(72) Inventors: **Sanghwa Lee**, Seoul (KR); **Youngjo Kim**, Seoul (KR)

(73) Assignee: **COWAY CO., LTD.**,  
Choongcheongnam-do (KR)

(\*\*) Term: **15 Years**

(21) Appl. No.: **29/672,657**

(22) Filed: **Dec. 7, 2018**

(30) **Foreign Application Priority Data**

Jun. 8, 2018 (KR) ..... 30-2018-0026421

(51) **LOC (12) Cl.** ..... **23-02**

(52) **U.S. Cl.**  
USPC ..... **D23/311**

(58) **Field of Classification Search**  
USPC ..... D23/295, 300-301, 309, 311-312  
CPC ..... A47K 13/00; A47K 13/005; A47K 13/02;  
A47K 13/04  
See application file for complete search history.

(56) **References Cited**

**U.S. PATENT DOCUMENTS**

D262,733 S \* 1/1982 Bjorn ..... D23/311  
D271,417 S \* 11/1983 Thygesen ..... D23/311

D348,926 S \* 7/1994 Rasmussen ..... D23/311  
D558,315 S \* 12/2007 Mukai ..... D23/311  
D571,903 S \* 6/2008 Greenspon ..... D23/311  
D572,808 S \* 7/2008 Zhou ..... D23/311  
D593,654 S \* 6/2009 De Lay ..... D23/309

\* cited by examiner

*Primary Examiner* — Robert A Delehanty

(74) *Attorney, Agent, or Firm* — Millen, White, Zelano & Branigan, P.C.; William Nixon

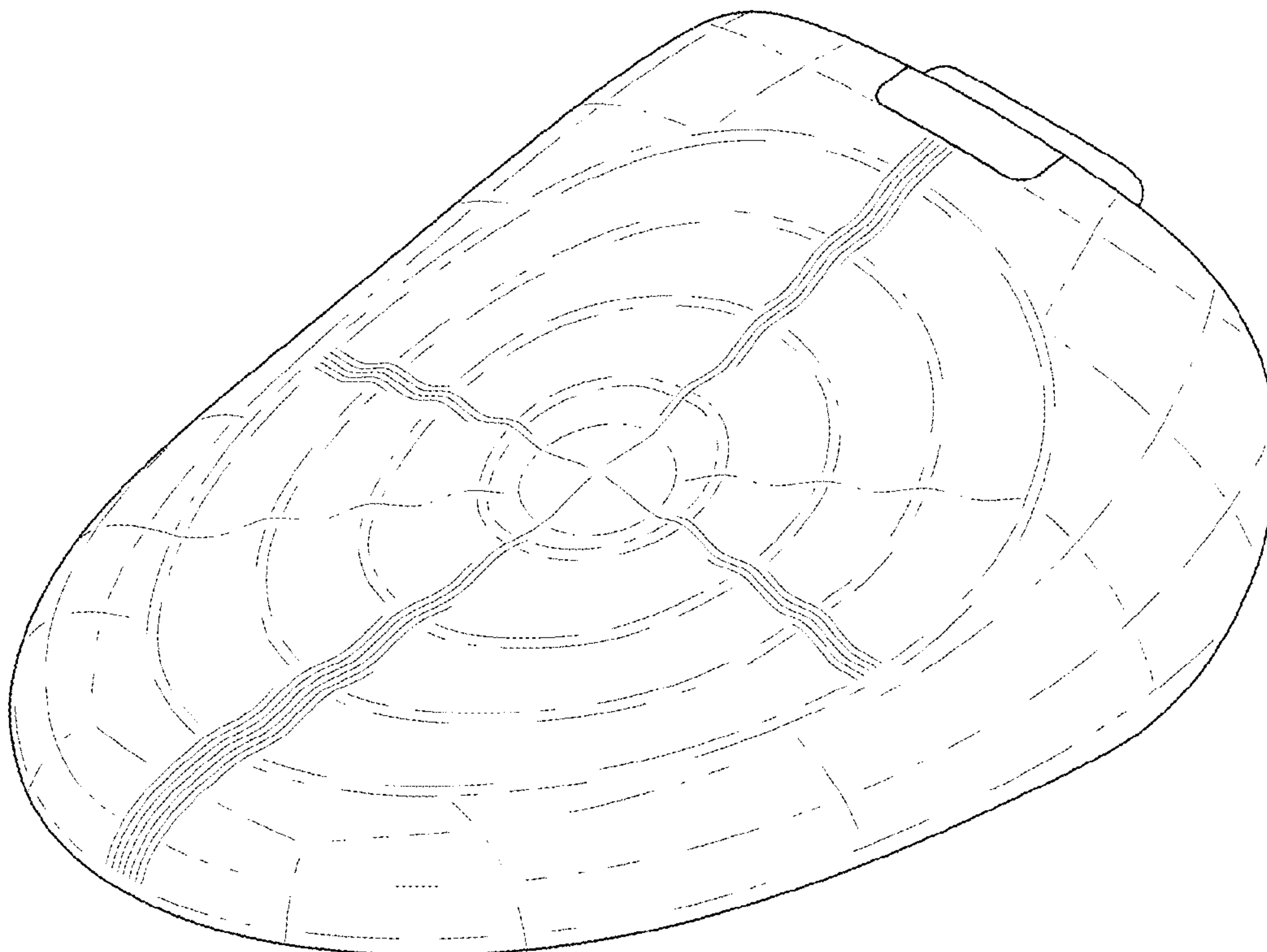
(57) **CLAIM**

The ornamental design for a bidet cover, as shown and described.

**DESCRIPTION**

FIG. 1 illustrates a front perspective view of the bidet cover showing our new design;  
FIG. 2 illustrates a front elevational view thereof;  
FIG. 3 illustrates a rear elevational view thereof;  
FIG. 4 illustrates a left side elevational view thereof;  
FIG. 5 illustrates a right side elevational view thereof;  
FIG. 6 illustrates a top plan view thereof; and,  
FIG. 7 illustrates a bottom plan view thereof.

**1 Claim, 7 Drawing Sheets**



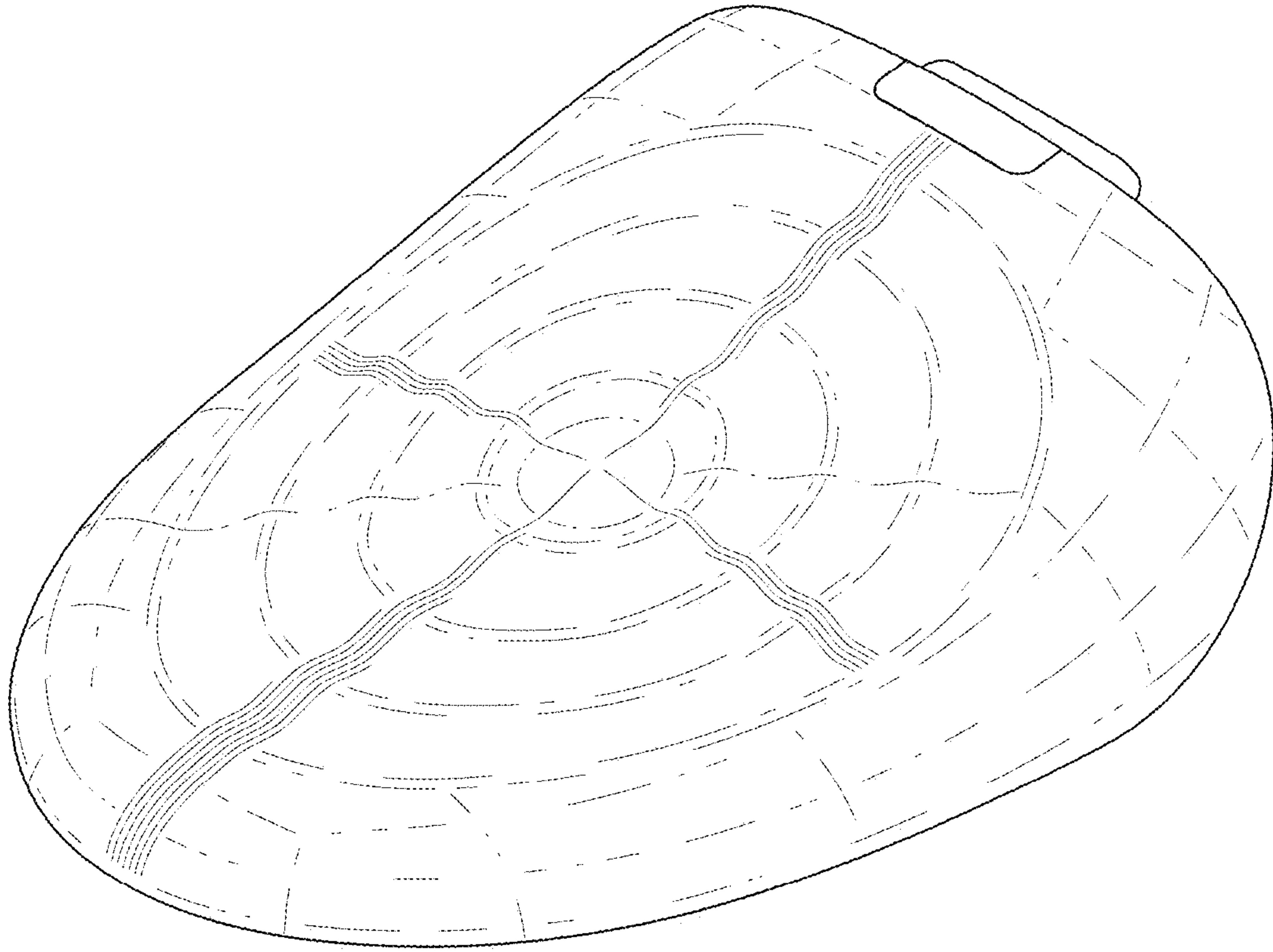
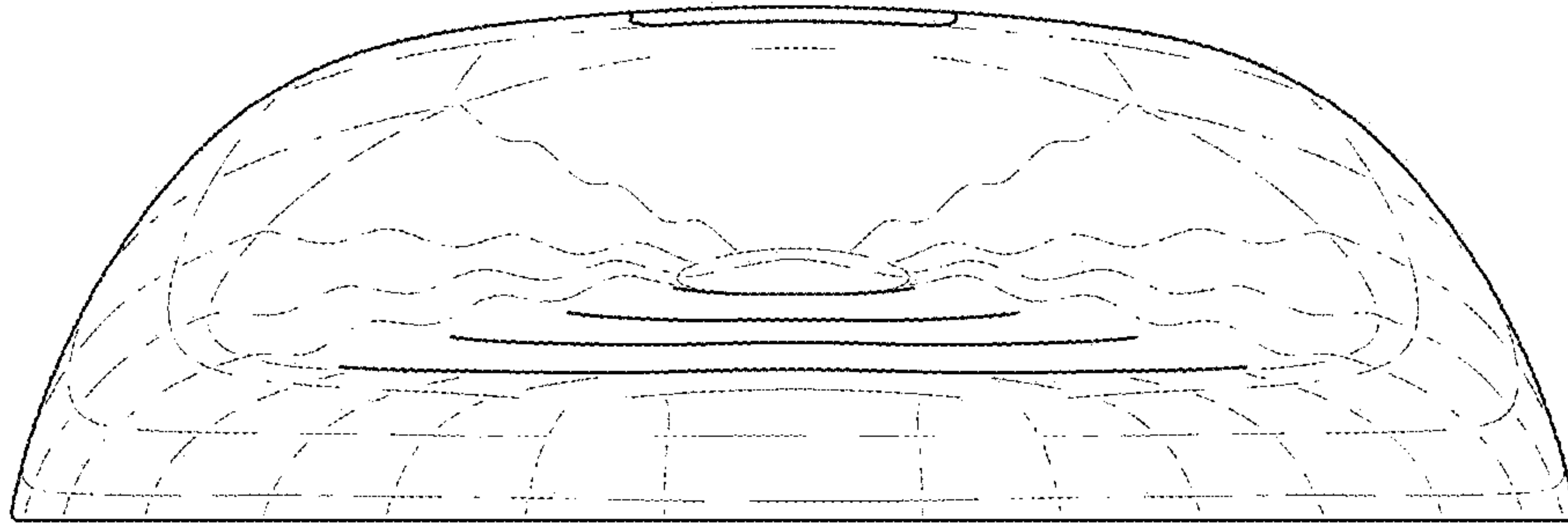


FIG. 1



**FIG. 2**

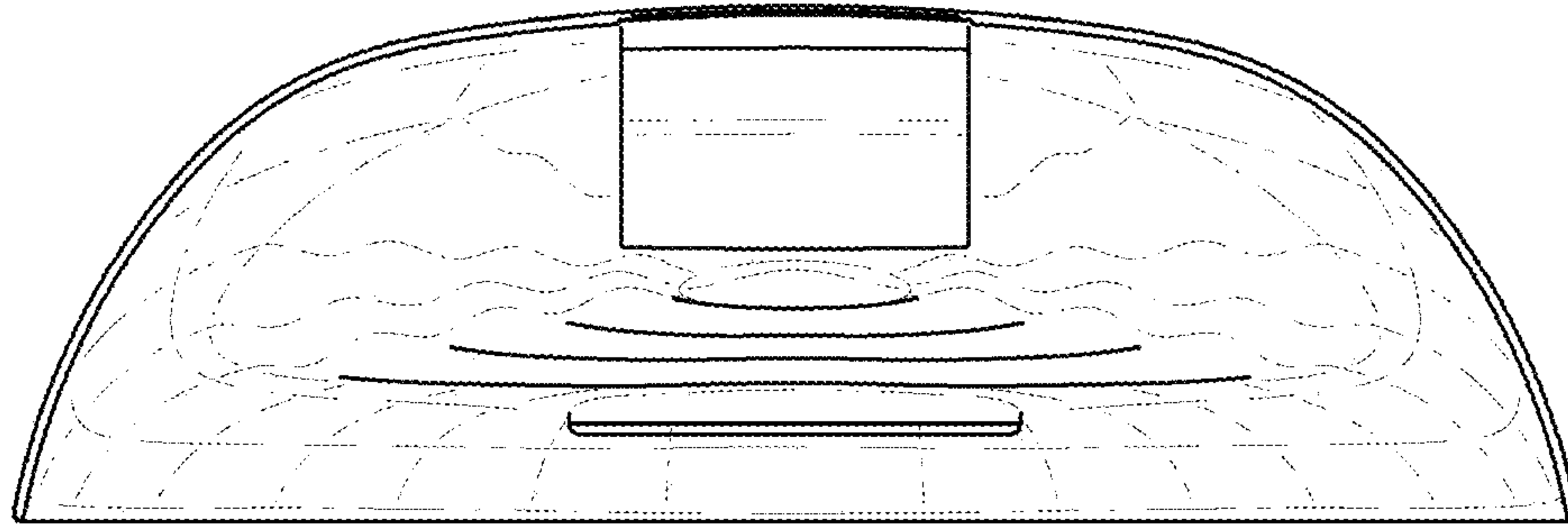


FIG. 3

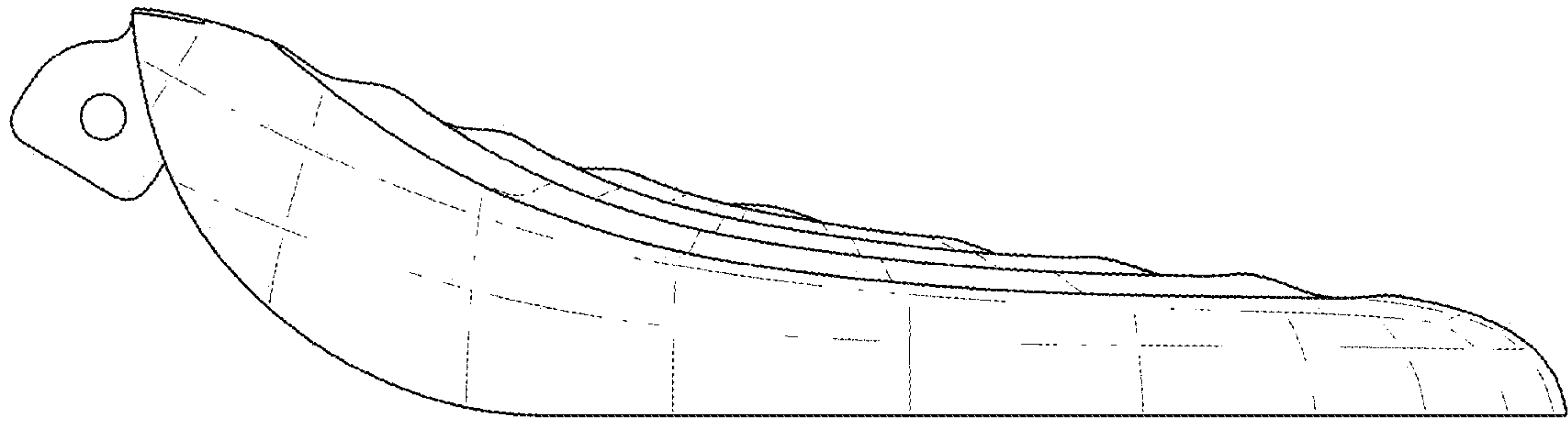
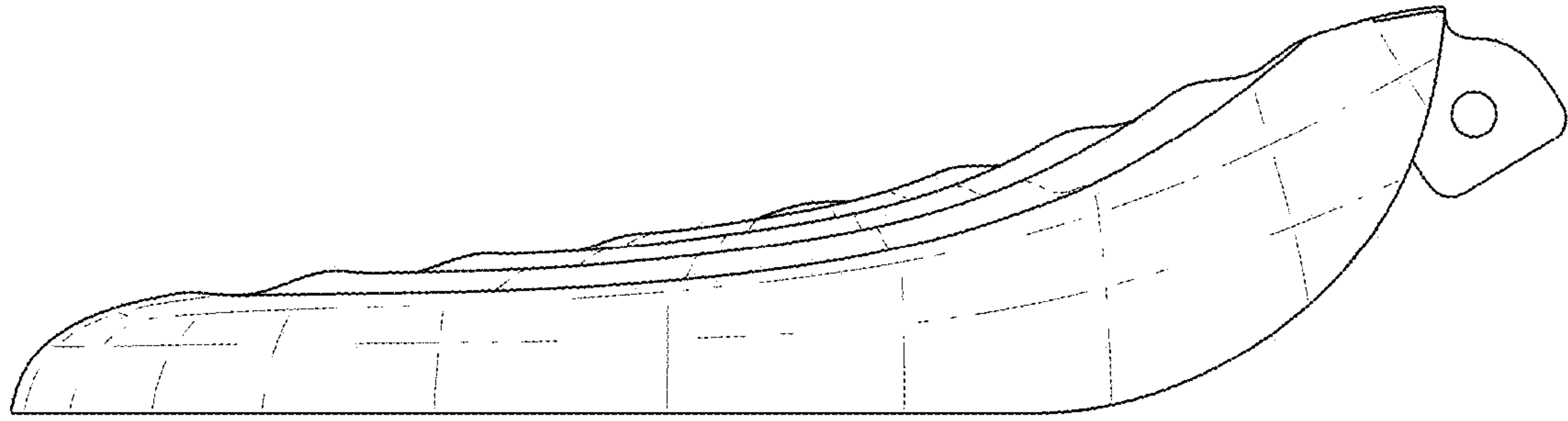


FIG. 4



**FIG. 5**

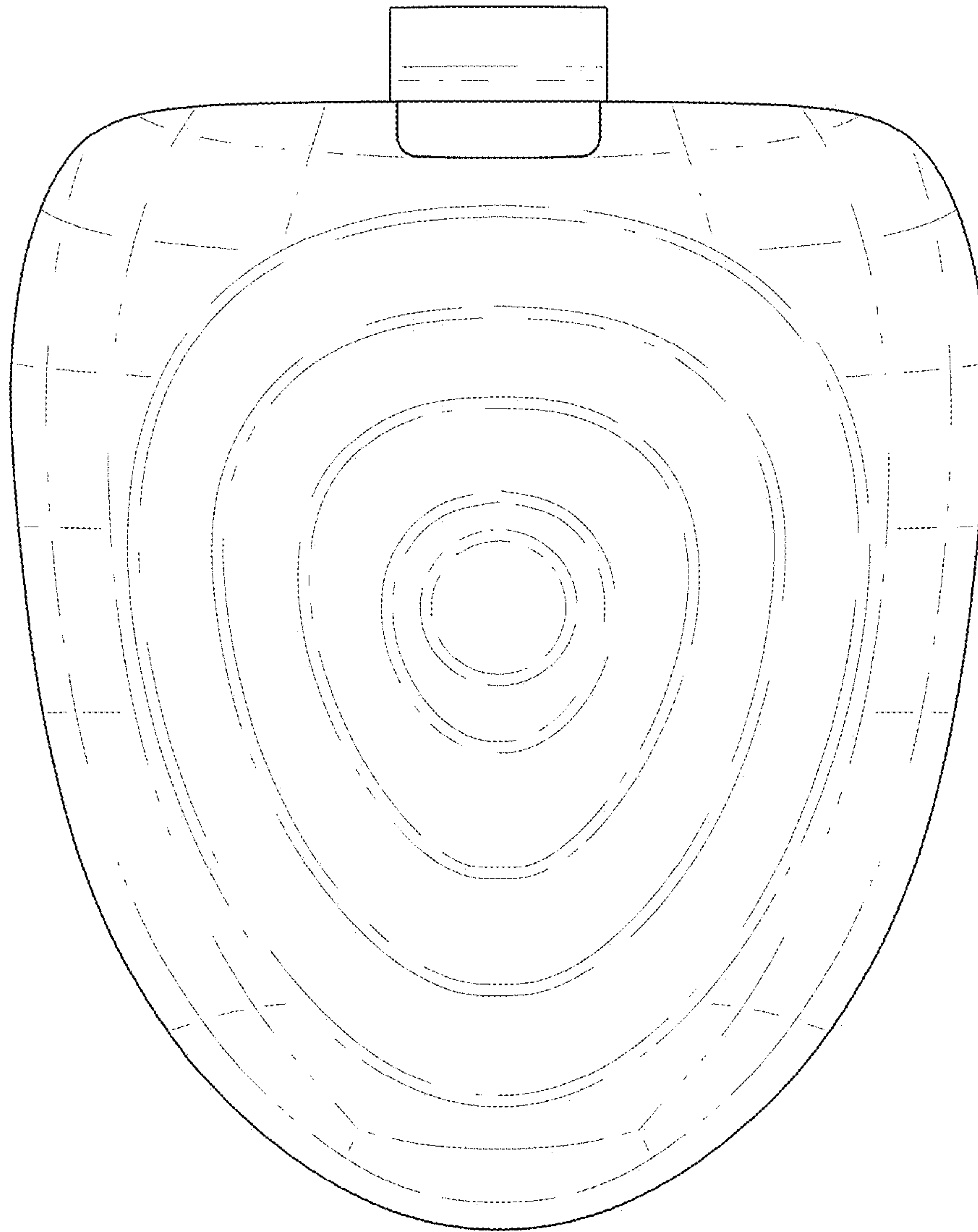


FIG. 6



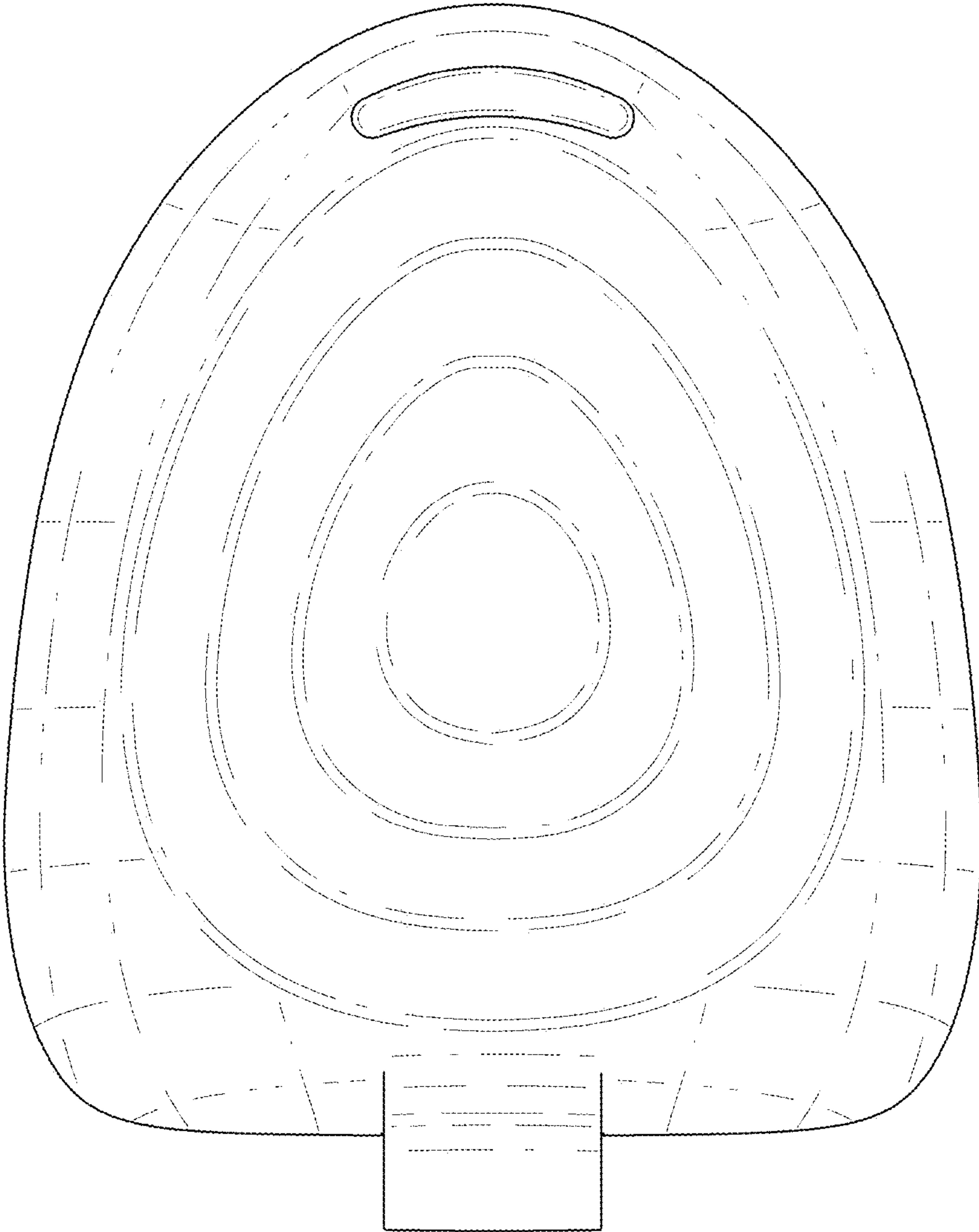


FIG. 7