

US00D894351S

(12) **United States Design Patent** (10) **Patent No.:** **US D894,351 S**  
**Eilmus et al.** (45) **Date of Patent:** **\*\* Aug. 25, 2020**

- (54) **SINK**
- (71) Applicant: **Kohler Co.**, Kohler, WI (US)
- (72) Inventors: **Niels J. Eilmus**, Sheboygan, WI (US);  
**Matthew Ryan Wegner**, Sheboygan, WI (US)
- (73) Assignee: **KOHLER CO.**, Kohler, WI (US)
- (\*\*) Term: **15 Years**
- (21) Appl. No.: **29/657,999**
- (22) Filed: **Jul. 26, 2018**

- D523,540 S 6/2006 Gordon
- D645,549 S 9/2011 Booth
- D646,365 S 10/2011 Parekh
- D659,810 S 5/2012 Eilmus
- D669,564 S 10/2012 Eilmus
- D672,621 S 12/2012 Eilmus et al.

*Primary Examiner* — Robert A Delehanty  
(74) *Attorney, Agent, or Firm* — Foley & Lardner LLP

(57) **CLAIM**

We claim the ornamental design for a sink, as shown and described.

**DESCRIPTION**

FIG. 1 is a perspective view of the claimed design; FIG. 2 is a top view of the claimed design of FIG. 1; FIG. 3 is a bottom view of the claimed design of FIG. 1; FIG. 4 is a cross-sectional view of the claimed design of FIG. 1 taken along line 4-4 of FIG. 2; FIG. 5 is a cross-sectional view of the claimed design of FIG. 1 taken along line 5-5 of FIG. 2; and, FIG. 6 is a cross-sectional view of the claimed design of FIG. 1 taken along line 6-6 of FIG. 2.

The ornamental design that is claimed is shown in the drawings as solid lines and surfaces having surface shading. The broken lines in the drawings are for illustrative purposes only and form no part of the claimed design. For example, broken lines formed by equal length dashes show unclaimed portions of the design. Broken lines formed of unequal length dashes (i.e., dash-dot) show boundaries between either claimed and unclaimed portions of the design or between unclaimed and unclaimed portions of the design.

**Related U.S. Application Data**

- (62) Division of application No. 29/578,773, filed on Sep. 23, 2016, now Pat. No. Des. 827,110, which is a division of application No. 29/521,960, filed on Mar. 26, 2015, now Pat. No. Des. 769,424.

- (51) **LOC (12) Cl.** ..... **23-02**
- (52) **U.S. Cl.**  
USPC ..... **D23/308**

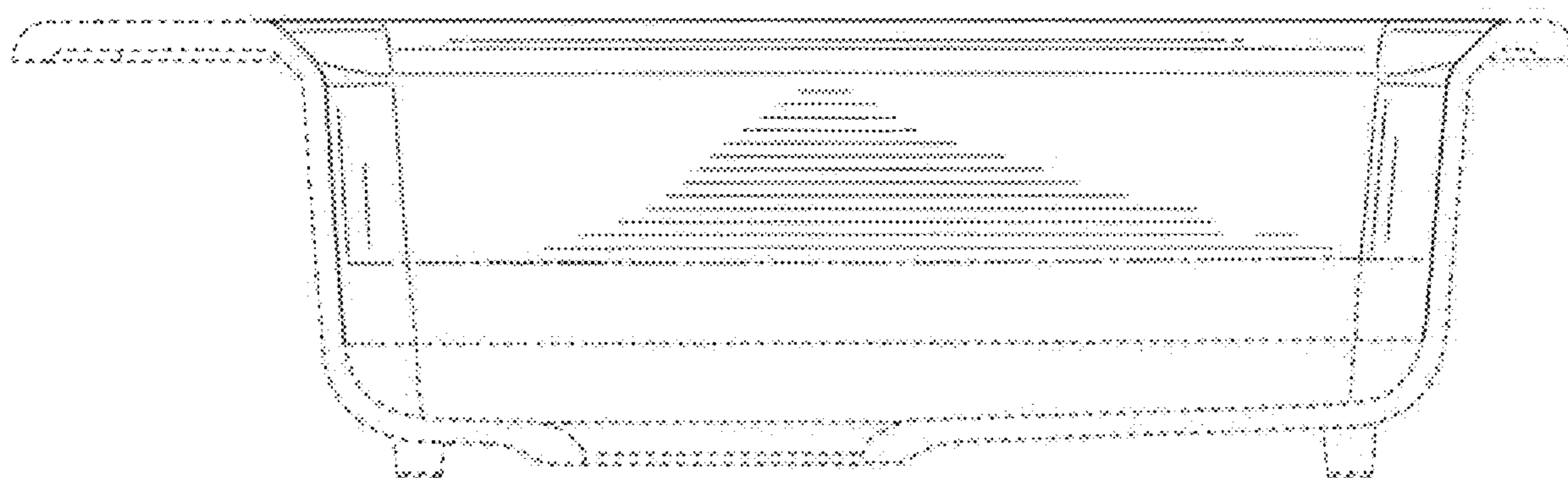
- (58) **Field of Classification Search**  
USPC ..... D23/284, 286, 287, 290, 303, 308  
CPC . A47K 1/02; A47L 17/02; A47L 19/02; E03C 1/14; E03C 1/18; E03C 1/182; E03C 1/186  
See application file for complete search history.

(56) **References Cited**

**U.S. PATENT DOCUMENTS**

- D328,339 S 7/1992 Sauter et al.
- D482,764 S 11/2003 Genslak

**1 Claim, 5 Drawing Sheets**



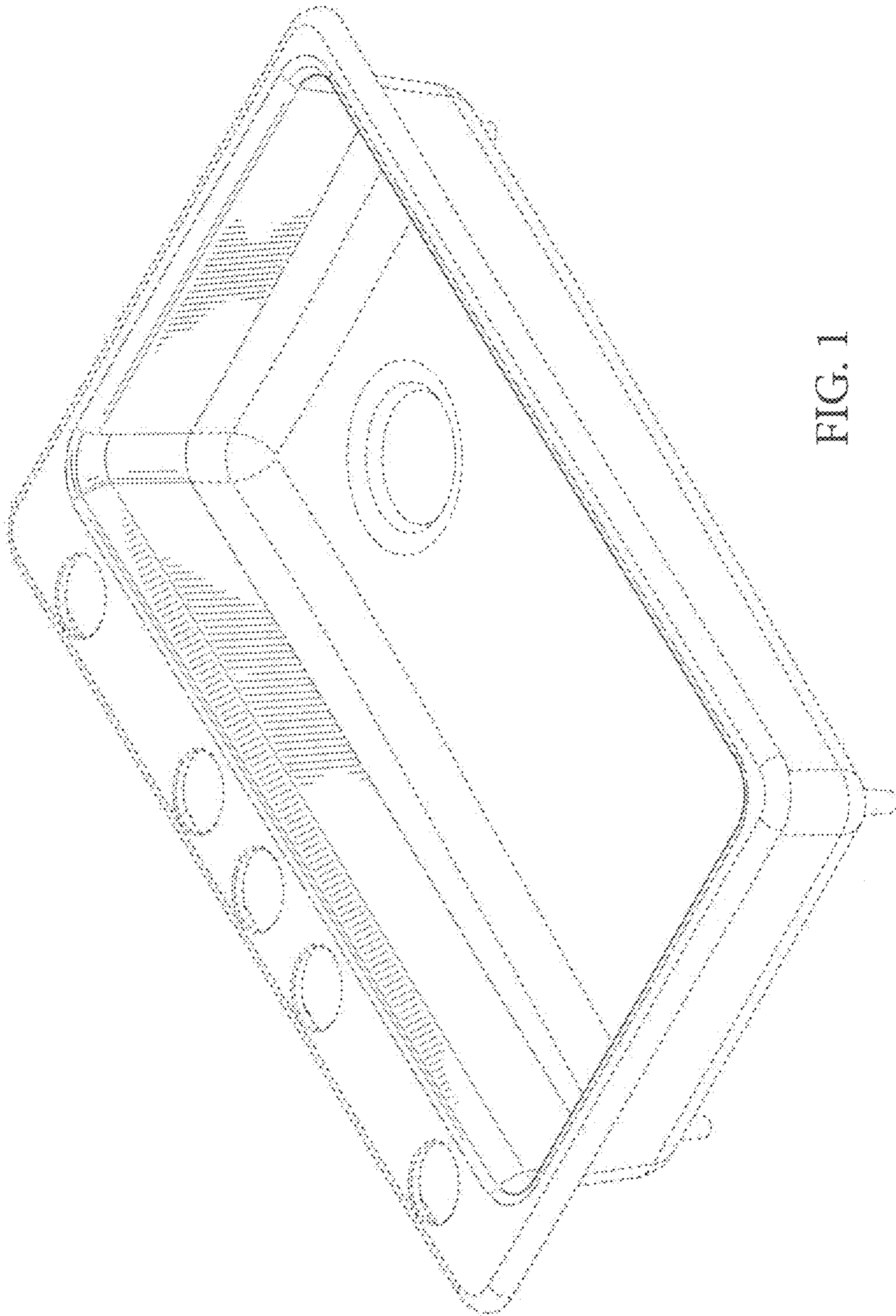


FIG. 1

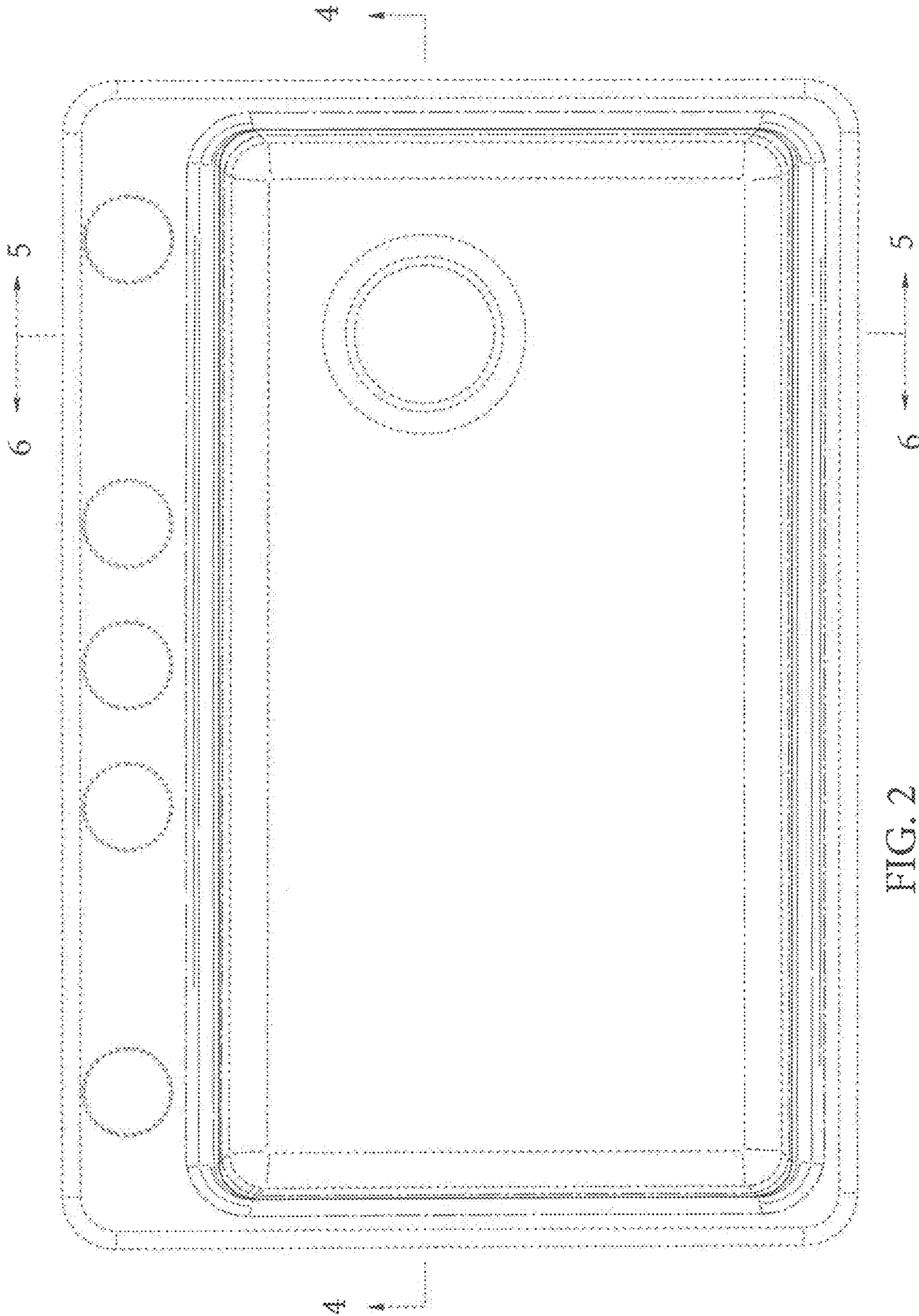


FIG. 2

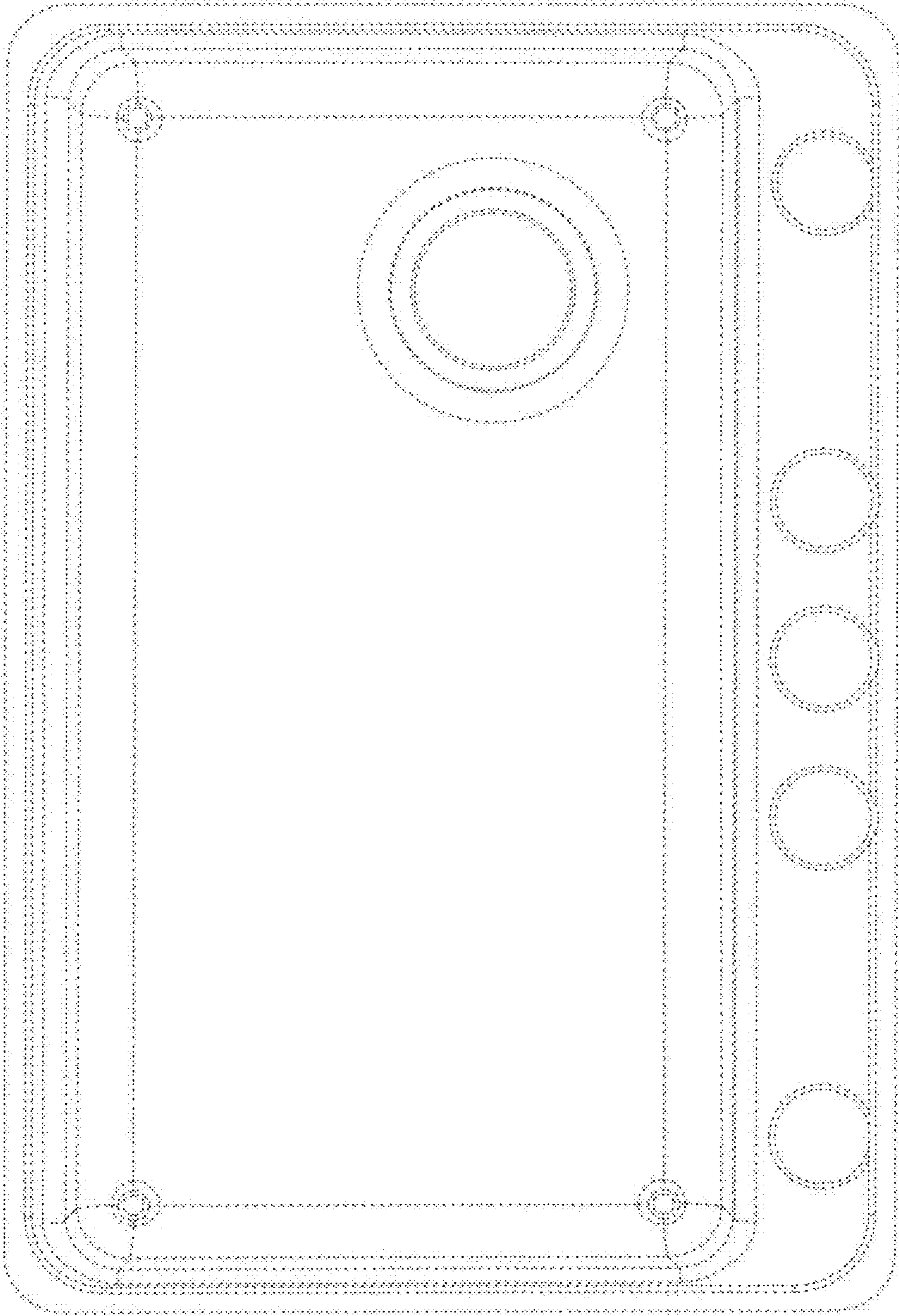


FIG. 3

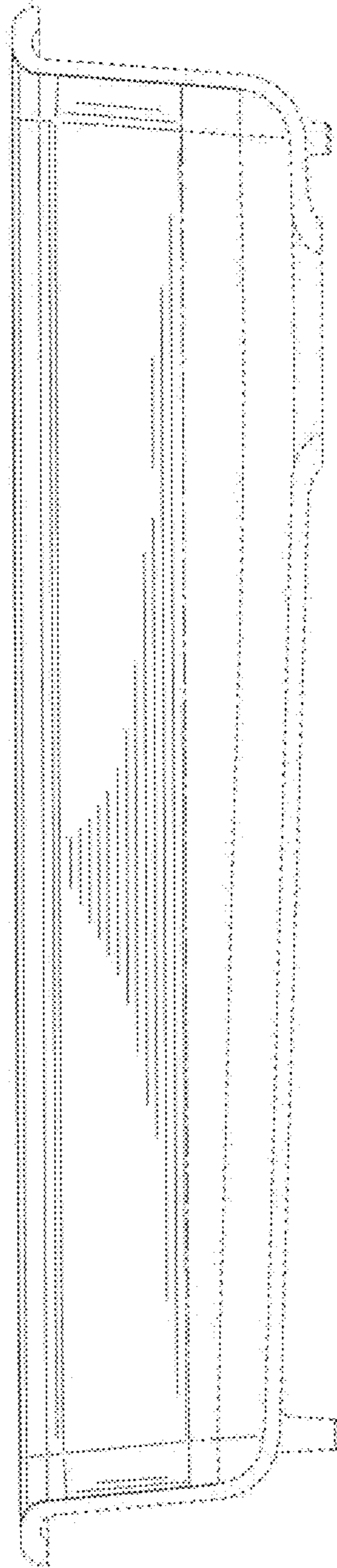


FIG. 4

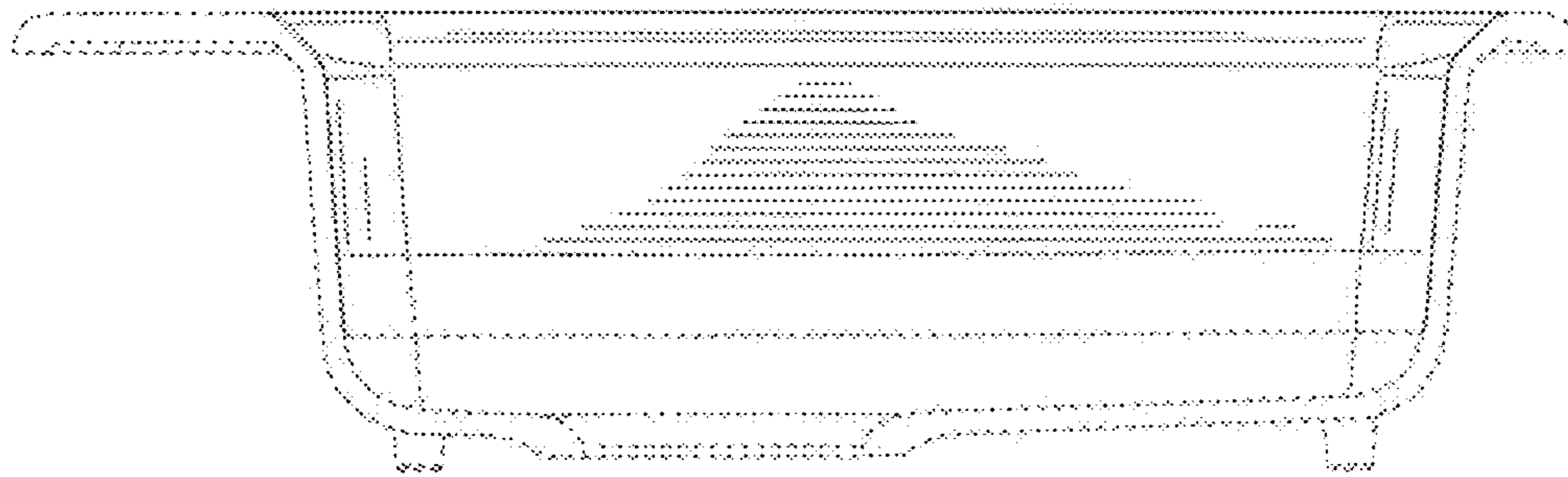


FIG. 5

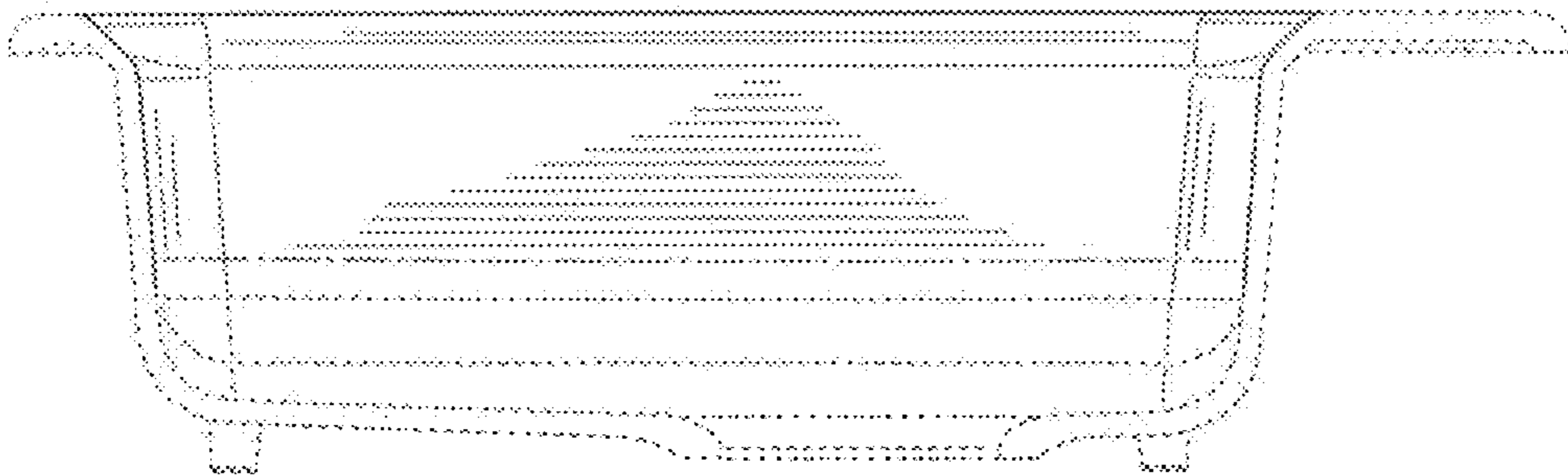


FIG. 6