



US00D894350S

(12) **United States Design Patent**
Koike et al.

(10) **Patent No.:** **US D894,350 S**

(45) **Date of Patent:** **** Aug. 25, 2020**

(54) **GASKET**

(71) Applicant: **NIPPON PILLAR PACKING CO., LTD.**, Osaka (JP)

(72) Inventors: **Tomoyuki Koike**, Osaka (JP); **Atsushi Nakano**, Osaka (JP); **Tomohiro Adachi**, Osaka (JP); **Toshihide Iida**, Osaka (JP)

(73) Assignee: **NIPPON PILLAR PACKING CO.**, Osaka (JP)

(**) Term: **15 Years**

(21) Appl. No.: **29/664,534**

(22) Filed: **Sep. 26, 2018**

(30) **Foreign Application Priority Data**

Mar. 30, 2018 (JP) 2018-007013
Sep. 6, 2018 (JP) 2018-019477

(51) **LOC (12) Cl.** **23-01**

(52) **U.S. Cl.**
USPC **D23/269**

(58) **Field of Classification Search**

USPC D23/269, 262, 249, 259; D15/138-139, D15/143; 277/351-360, 504, 563, 572, 277/316, 364-365, 394, 397, 406-407, 277/418, 449, 451-454, 458-460, 491, 277/517, 529, 602, 610, 612, 641-642, 277/644, 648; 285/339, 343

CPC E04D 13/14; F16J 7/00
See application file for complete search history.

(56) **References Cited**

U.S. PATENT DOCUMENTS

1,463,360 A * 7/1923 Foote B65D 53/02
277/641
D196,724 S * 10/1963 Davis, Jr. D24/129

3,118,681 A * 1/1964 Fuehrer F16J 15/3232
277/435
3,854,737 A * 12/1974 Gilliam, Sr. F16J 15/3232
277/566
4,195,849 A * 4/1980 Taft F16J 15/3268
277/437

(Continued)

FOREIGN PATENT DOCUMENTS

JP 379577 S 4/1949
JP 2006-83972 A 3/2006

OTHER PUBLICATIONS

Japanese Office Action dated Dec. 18, 2018 issued in corresponding JP 2018-007013 application (2 pages).

(Continued)

Primary Examiner — Amy C Wierenga

(74) *Attorney, Agent, or Firm* — Millen, White, Zelano & Branigan, PC; Ryan Pool; William Nixon

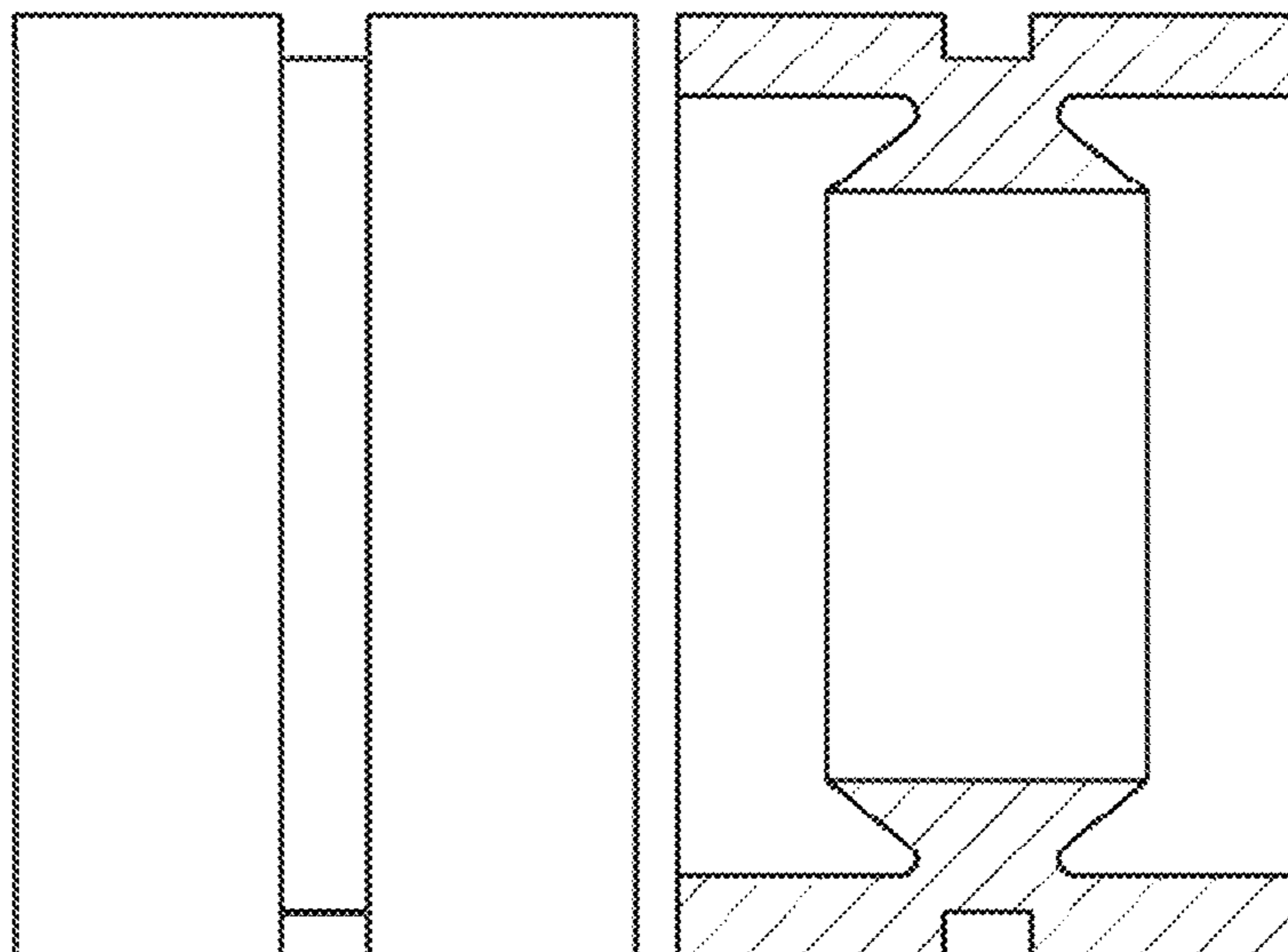
(57) **CLAIM**

The ornamental design for a gasket, as shown and described.

DESCRIPTION

FIG. 1 illustrates a front elevational view of a gasket showing our new design;
FIG. 2 illustrates a top plan view thereof;
FIG. 3 illustrates a side elevational view thereof;
FIG. 4 illustrates a cross-sectional view of the gasket taken along line 4-4 in FIG. 3;
FIG. 5 illustrates a front perspective view thereof;
FIG. 6 illustrates a cross-sectional environmental view of the gasket of FIG. 1 in use; and,
FIG. 7 illustrates another cross-sectional environmental view of the gasket of FIG. 1 in use.
The broken lines in the drawings illustrate environment that forms no part of the claimed design.

1 Claim, 7 Drawing Sheets



(56)

References Cited

U.S. PATENT DOCUMENTS

4,526,385 A * 7/1985 Wheeler F16J 15/3208
277/556
5,002,290 A * 3/1991 Pernin F16J 15/024
277/649
5,308,090 A * 5/1994 Hamada F16J 15/125
277/609
D372,765 S * 8/1996 Sisk D23/269
6,123,338 A * 9/2000 Edelmann F16C 29/084
277/551
D449,621 S * 10/2001 Hamlin D15/5
6,769,697 B1 * 8/2004 Ishikawa F16J 15/0887
277/608
D568,350 S * 5/2008 Tembreull D15/148
D598,988 S * 8/2009 Jaccoby D23/269
D643,912 S * 8/2011 Bowman D23/269
D646,764 S * 10/2011 Rusconi D23/269
D648,427 S * 11/2011 Bowman D23/269
D696,751 S * 12/2013 Beagen, Jr. D23/269
D749,702 S * 2/2016 Rohn D23/259
D822,181 S * 7/2018 Nakagawa D23/269
D828,524 S * 9/2018 Sugatani D23/269

OTHER PUBLICATIONS

English Machine Translation of JP 2006-083972 A published Mar.
30, 2006.

* cited by examiner

Fig. 1

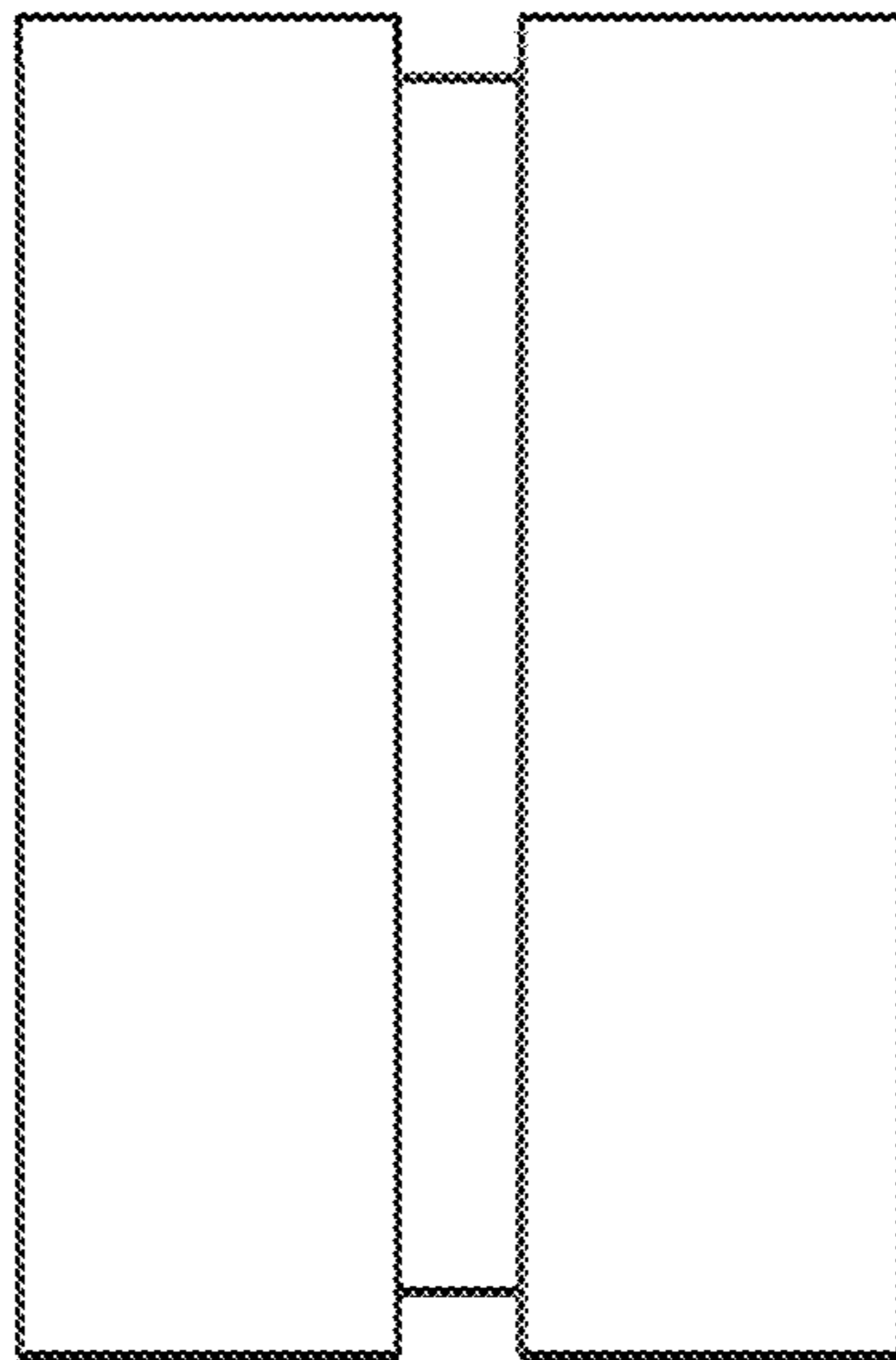


Fig. 2

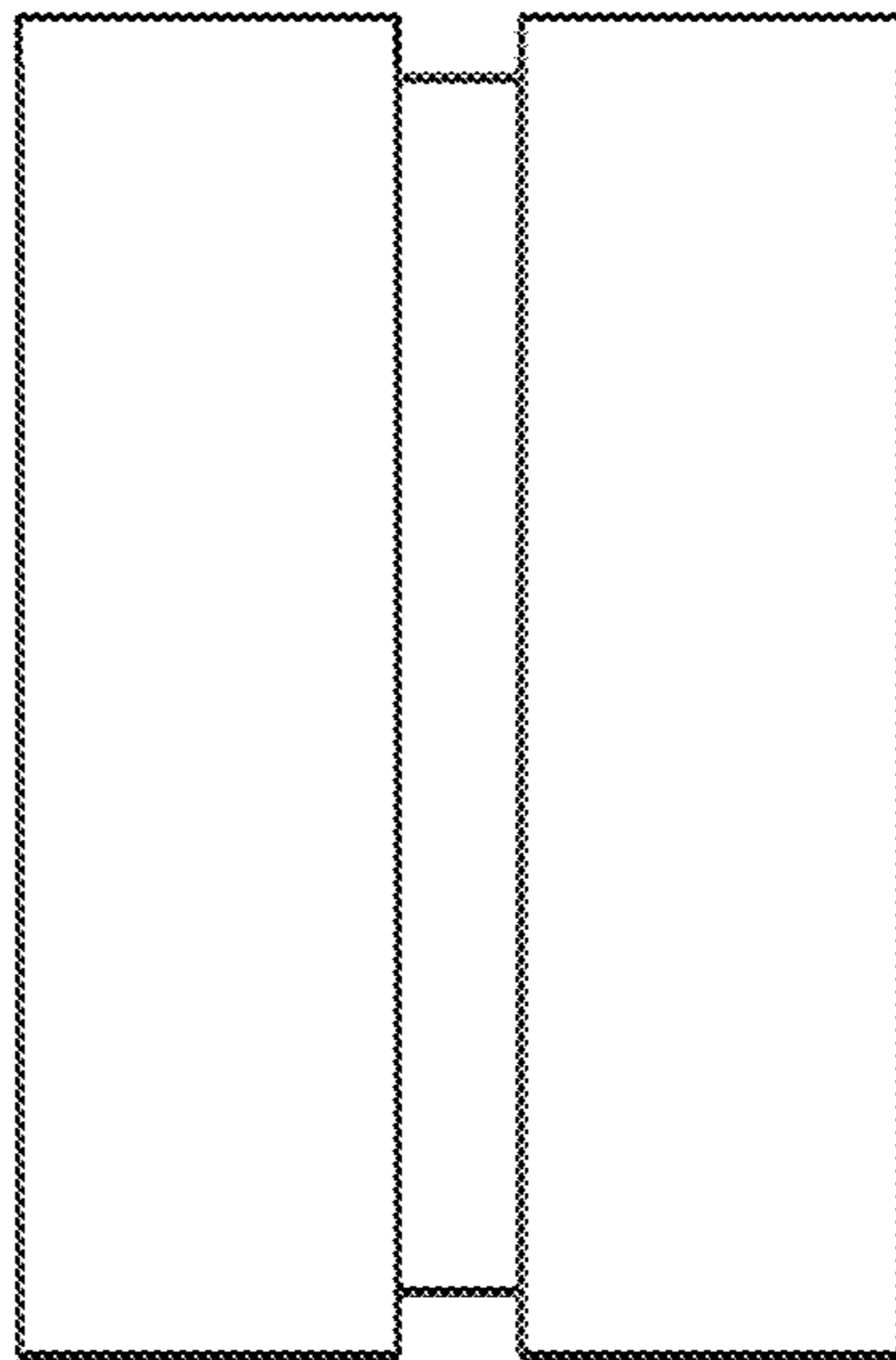


Fig. 3

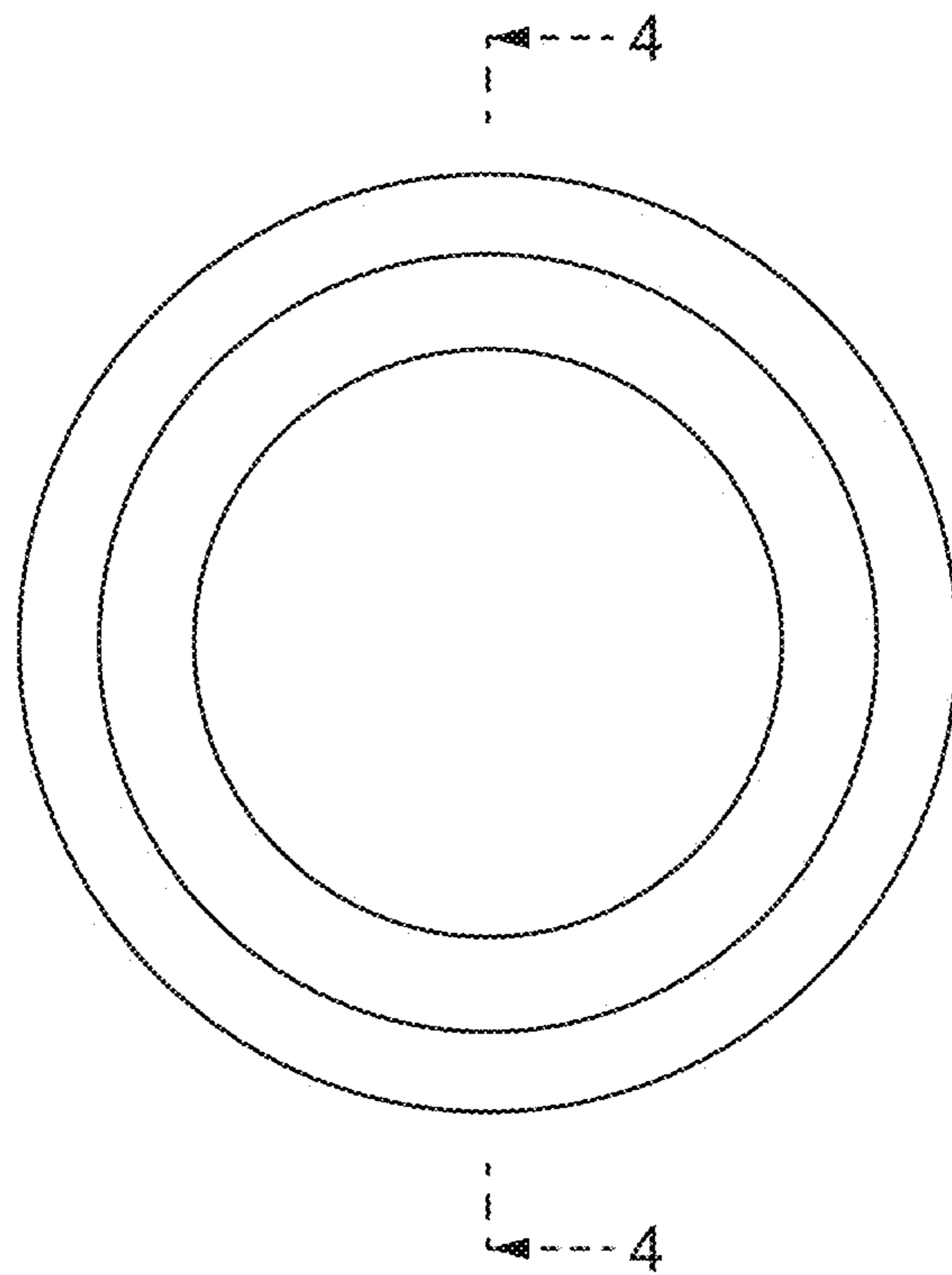


Fig. 4

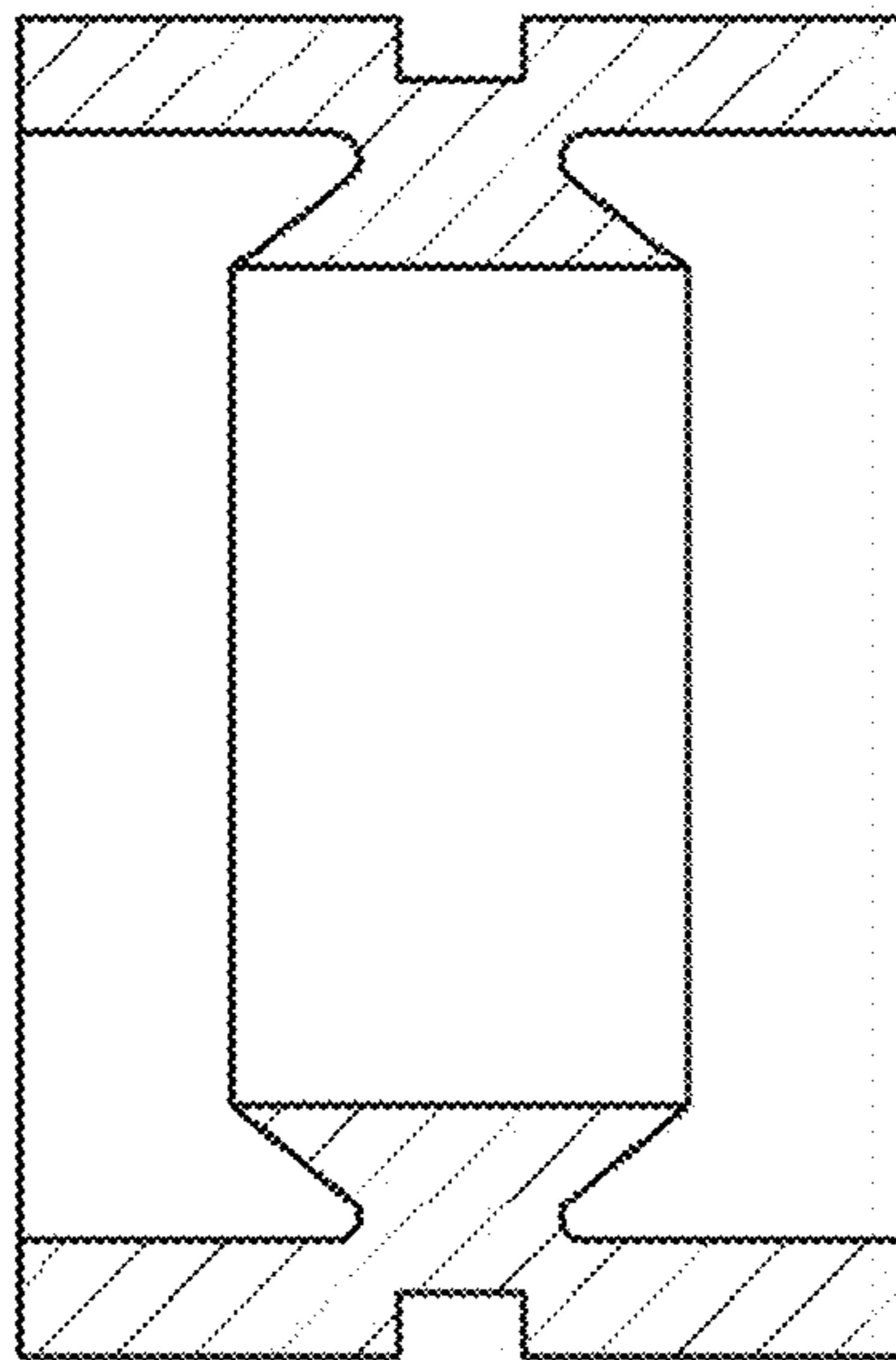


Fig. 5

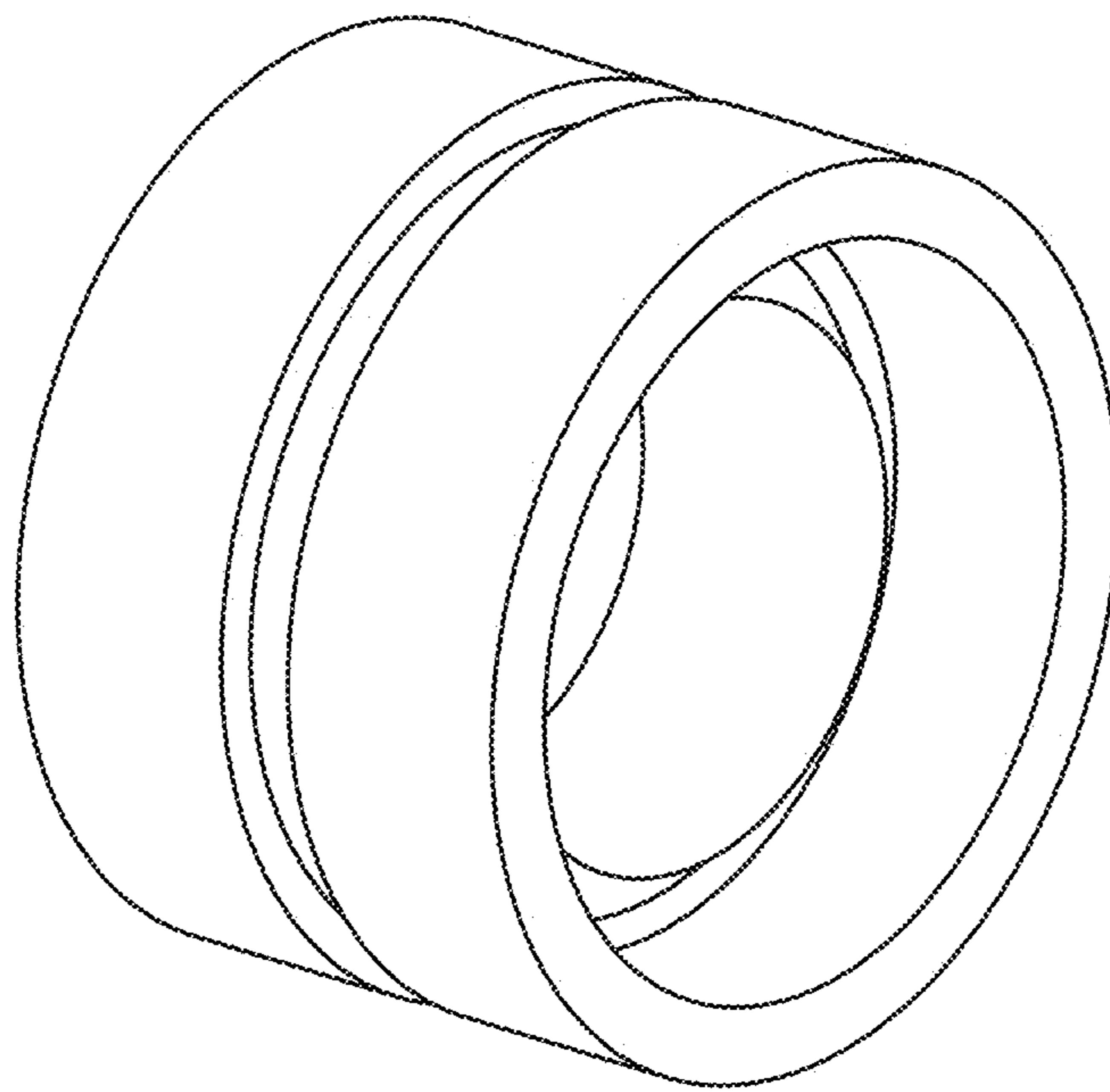


Fig. 6

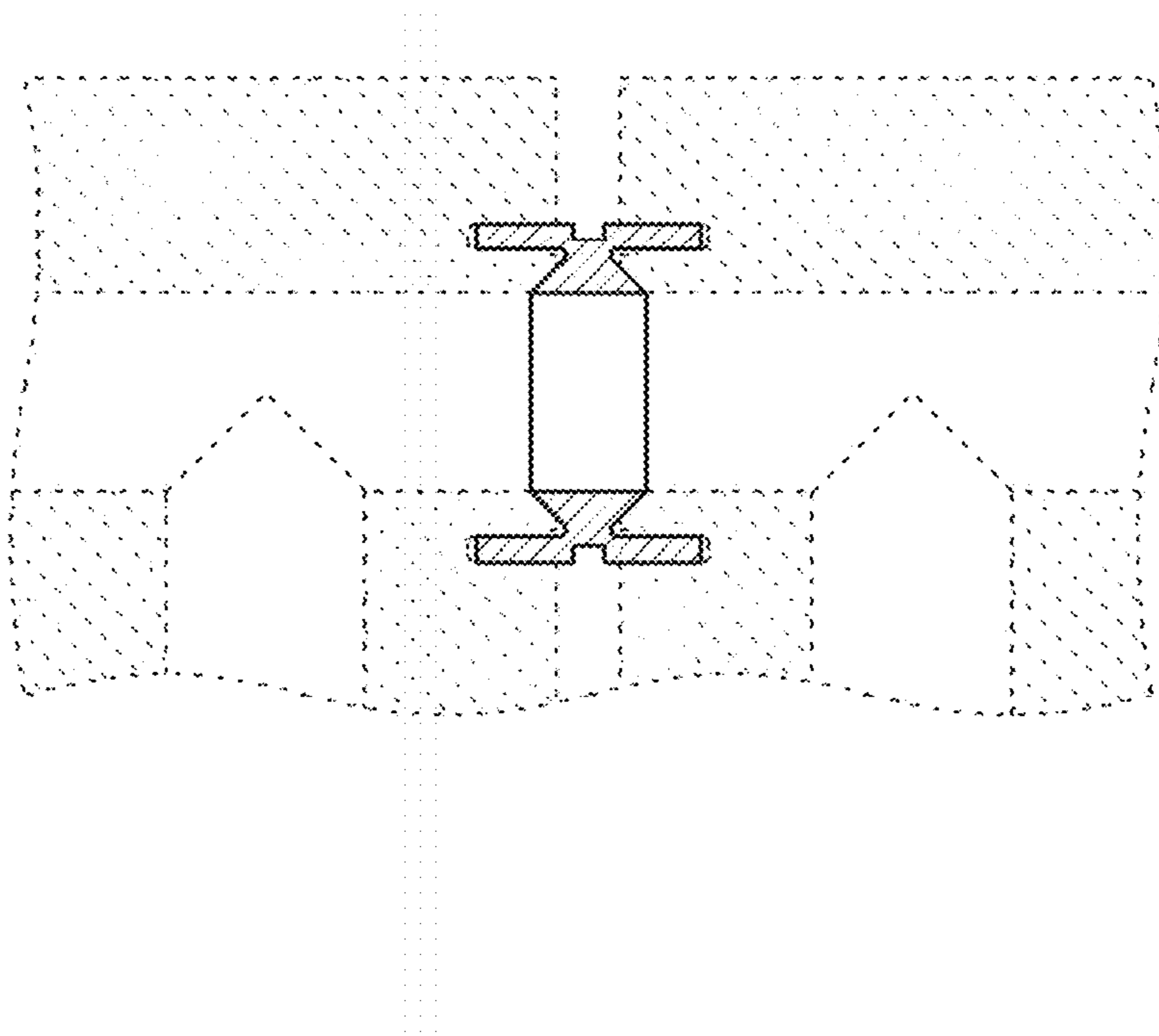


Fig. 7

