



US00D894349S

(12) **United States Design Patent**
Cornelius

(10) **Patent No.:** **US D894,349 S**

(45) **Date of Patent:** **** Aug. 25, 2020**

- (54) **SEAL FOR A TEST PLUG**
- (71) Applicant: **USA Industries, Inc.**, South Houston, TX (US)
- (72) Inventor: **Austin Cornelius**, Houston, TX (US)
- (73) Assignee: **USA Industries, Inc.**, South Houston, TX (US)
- (**) Term: **15 Years**
- (21) Appl. No.: **29/663,329**
- (22) Filed: **Sep. 13, 2018**
- (51) **LOC (12) Cl.** **23-01**
- (52) **U.S. Cl.**
USPC **D23/269**
- (58) **Field of Classification Search**
USPC D23/269, 262, 249, 259; D15/138-139, D15/143; 277/351-359, 359-360, 504, 277/563, 572, 316, 364-365, 394, 397, 277/406-407, 418, 449, 451-454, 277/458-460, 491, 517, 529, 602, 610, 277/612, 641-642, 644, 648; 285/339, 285/343
CPC E04D 13/14; F16J 7/00
See application file for complete search history.

- 5,522,603 A * 6/1996 Naitou F16J 15/30 277/539
- 7,216,872 B1 * 5/2007 Shaw F16L 23/16 166/115
- D574,934 S * 8/2008 Darce D23/269
- D605,739 S * 12/2009 Henry D23/269
- 2006/0012132 A1 * 1/2006 Wu F16J 15/125 277/628
- 2015/0354397 A1 * 12/2015 Novikov C10M 109/00 277/306
- 2017/0146127 A1 * 5/2017 Singh F16J 15/108

OTHER PUBLICATIONS

USA Industries, Inc. GripSafe Isolation and Test Plugs; YouTube Video 1:28/2:10; Published Jan. 14, 2020; https://www.youtube.com/watch?v=8c8_rHHp-rc (Year: 2020).*

* cited by examiner

Primary Examiner — Amy C Wierenga
(74) *Attorney, Agent, or Firm* — Oathout Law Firm; Mark A. Oathout; Laura Tu

(57) **CLAIM**

I claim the ornamental design for a seal for a test plug, as shown and described.

DESCRIPTION

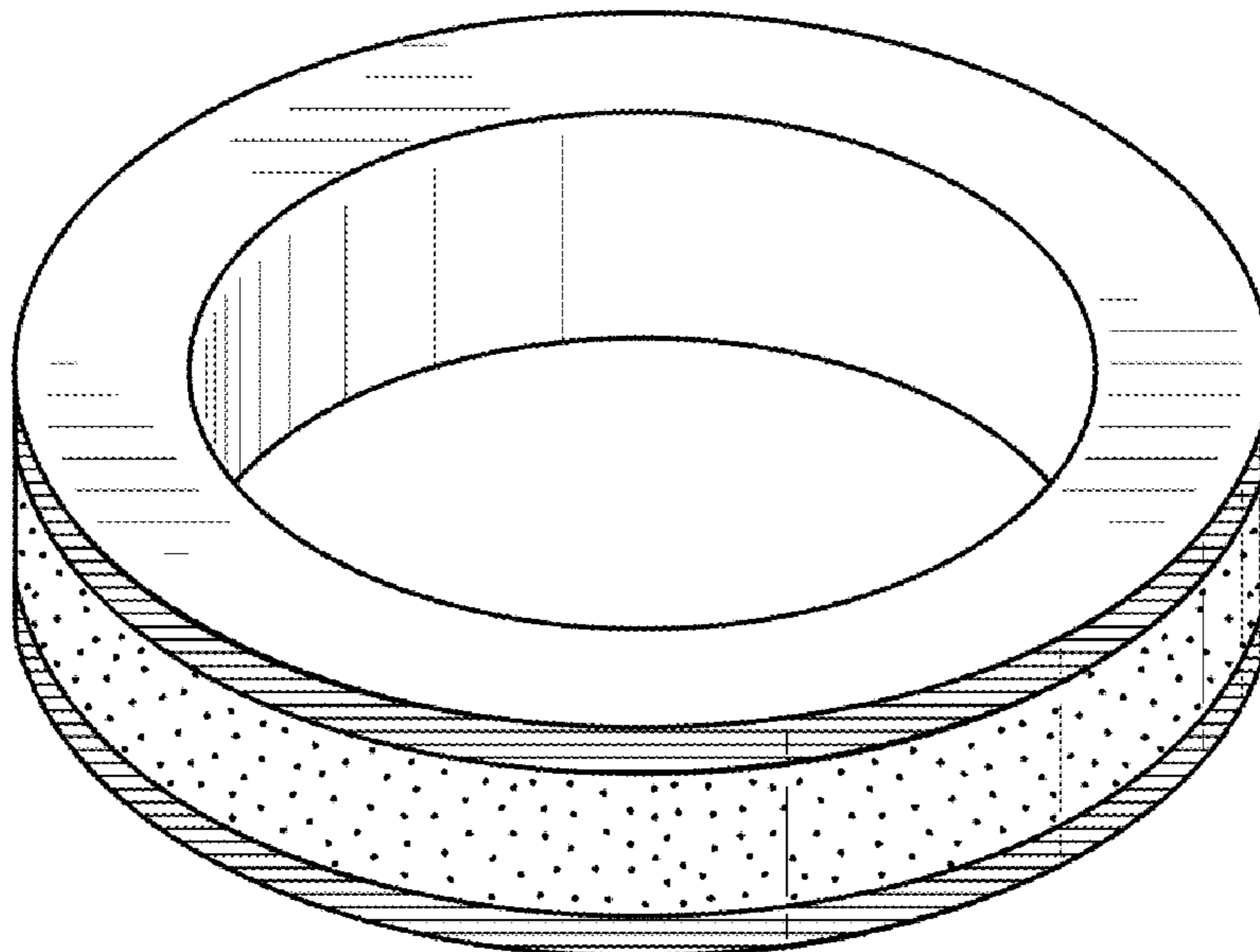
FIG. 1 is a perspective view from the front showing our design of a seal for a test plug.
FIG. 2 is a top view thereof showing our design of the seal for a test plug of FIG. 1, and wherein the bottom view is a mirror image; and,
FIG. 3 is a front view thereof showing our design of the seal for a test plug of FIG. 1, and wherein the rear side, left side, and right side views are mirror images of the front view.
The stippling and linear shading shown in the drawings represent a contrasting appearance.

1 Claim, 1 Drawing Sheet

(56) **References Cited**

U.S. PATENT DOCUMENTS

- 2,968,516 A * 1/1961 Jarvis F16J 15/32 277/566
- 3,094,337 A * 6/1963 Pippert F16J 15/166 277/638
- 3,930,657 A * 1/1976 Svensson F16J 15/32 277/584
- D256,046 S * 7/1980 Perrin D23/269
- 4,455,334 A * 6/1984 Ogino B32B 15/02 428/34.1



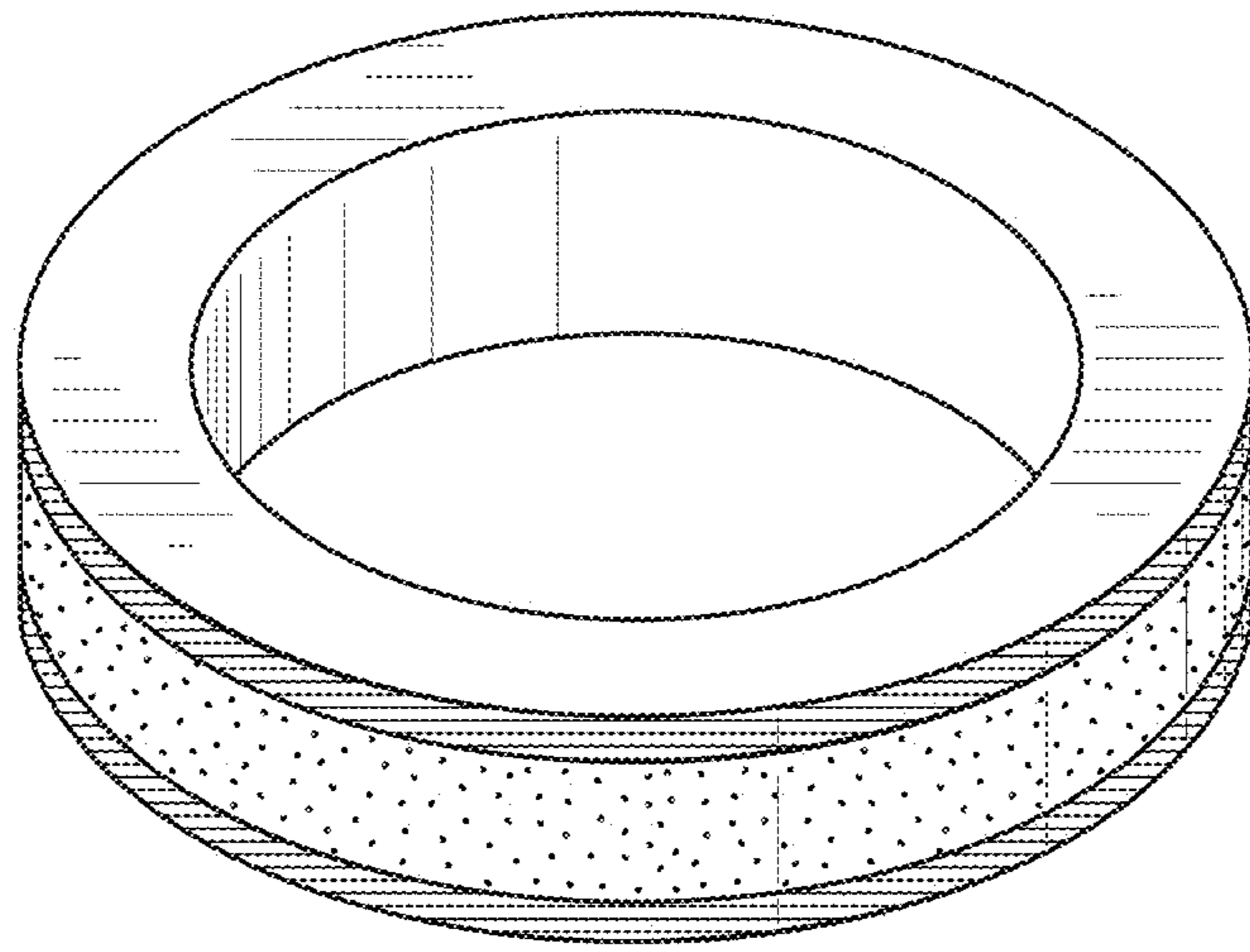


FIG. 1

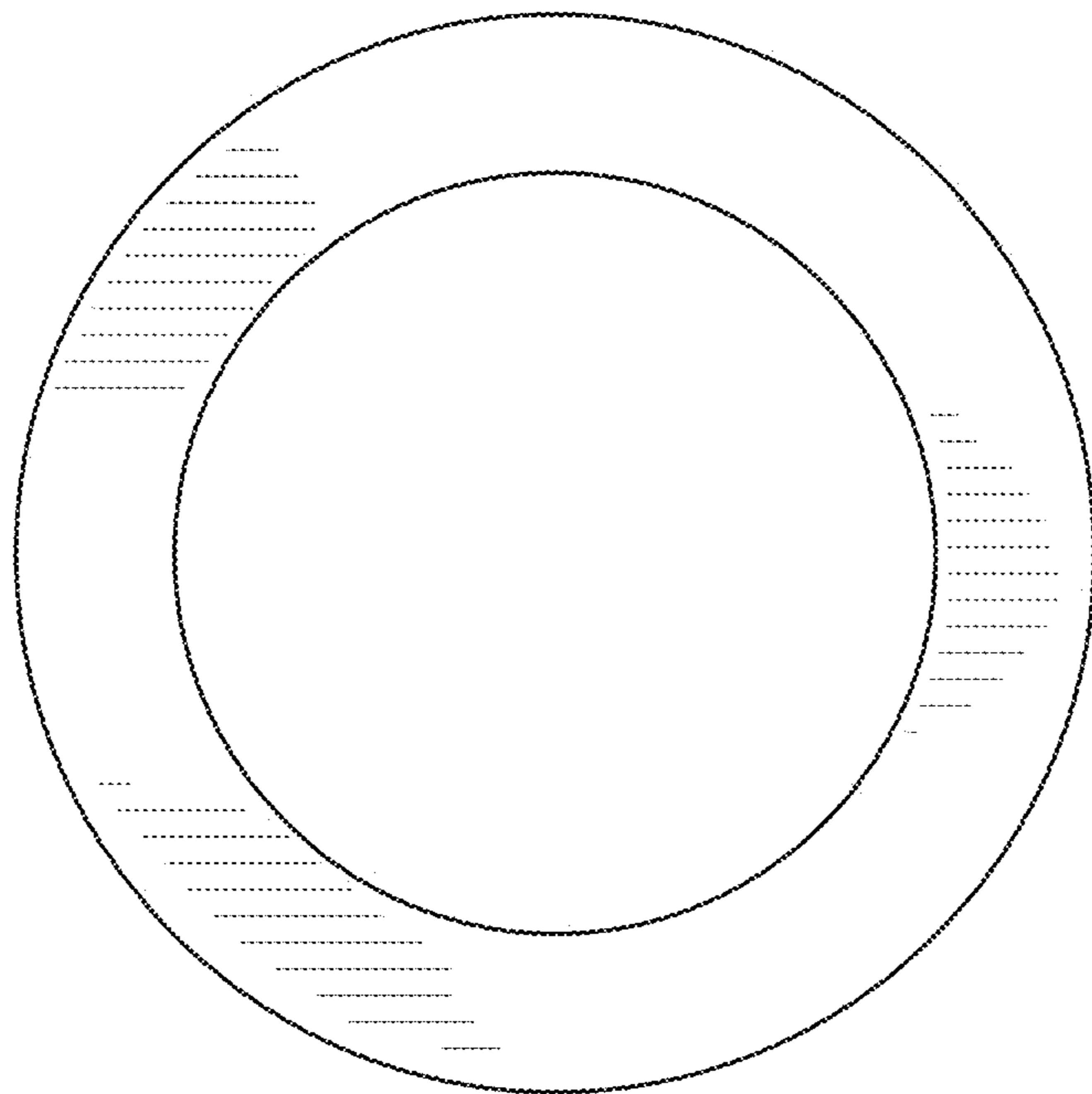


FIG. 2

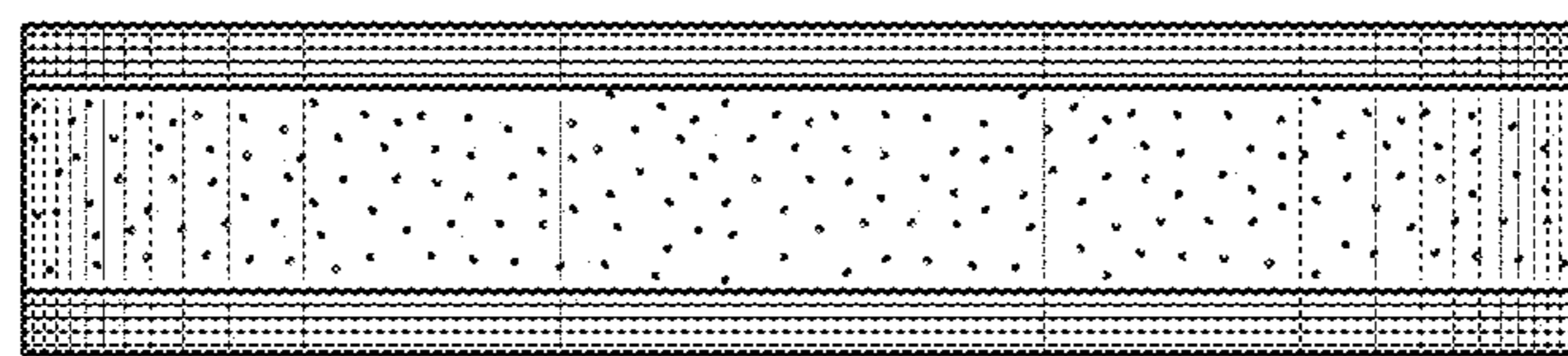


FIG. 3