



US00D894348S

(12) **United States Design Patent** (10) **Patent No.:** **US D894,348 S**
Mess et al. (45) **Date of Patent:** **** Aug. 25, 2020**

(54) FLUID FLOW TUBE	D347,271 S * 5/1994 Inda D23/263
	6,086,114 A * 7/2000 Ziu F16L 51/00
	138/113
(71) Applicant: Reliance Worldwide Corporation, Atlanta, GA (US)	6,619,697 B2 * 9/2003 Griffioen F16L 41/023
	285/126.1
(72) Inventors: Francis McCarthy Mess, Smyrna, GA (US); Jorge Carlos Almirall, Acworth, GA (US); Alexander Neal Rycroft, Atlanta, GA (US); Thimuthu Weragoda Vidanelage, Atlanta, GA (US)	D590,481 S * 4/2009 Stimpson D23/262
	D770,599 S * 11/2016 Daughters D23/259
	D771,223 S * 11/2016 Rycroft D23/233
	D828,517 S * 9/2018 Breault B05C 5/0225
	D23/248
	2007/0119974 A1 * 5/2007 Johnson A01G 25/06
	239/200

(73) Assignee: **Reliance Worldwide Corporation,**
Atlanta, GA (US)

(**) Term: **15 Years**

(21) Appl. No.: **29/635,692**

(22) Filed: **Feb. 1, 2018**

(51) **LOC (12) Cl.** **23-01**

(52) **U.S. Cl.**
USPC **D23/266; D23/263**

(58) **Field of Classification Search**
USPC D23/259, 262, 263, 265-266, 233, 235,
D23/237; 285/15, 16, 31, 33, 45, 53, 86,
285/104, 125.1, 179, 180, 285.1, 294.1,
285/294.3, 373, 417, 3, 39, 105, 113,
285/257, 305, 321, 323, 340, 423, 126.1,
285/127.2, 128.1, 129.1, 129.2,
285/130.1-132.1; 251/146-152; 138/99,
138/162, 166, 39; 137/557, 375, 613;
D24/108, 129; D10/96
CPC . F16L 59/14; F16L 17/10; F16L 39/00; F16K
37/005; F16K 23/00; F16K 31/406; F16K
27/041

See application file for complete search history.

(56) **References Cited**

U.S. PATENT DOCUMENTS

2,320,008 A *	5/1943 Price	F16K 31/406
		251/30.03
3,392,921 A *	7/1968 Demaison	B24C 5/04
		239/523

OTHER PUBLICATIONS

Foreign Action other than Search Report on MX Appl. Ser. No.
MX/f/2018/002241 dated Feb. 17, 2020 (2 pages).

* cited by examiner

Primary Examiner — Amy C Wierenga

(74) *Attorney, Agent, or Firm* — Foley & Lardner LLP

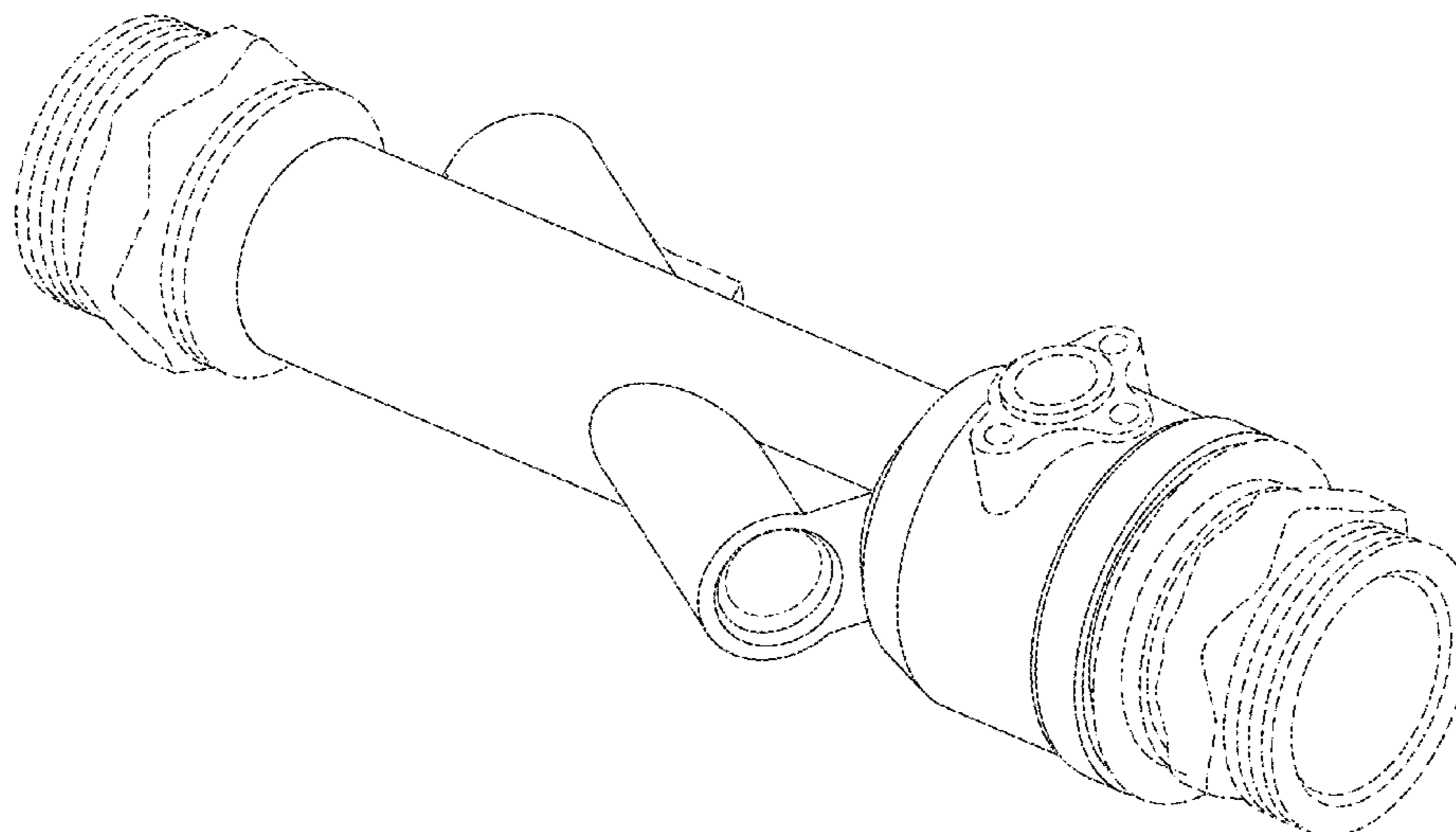
(57) **CLAIM**

The ornamental design for a fluid flow tube, as shown.

DESCRIPTION

FIG. 1 depicts a front perspective view of fluid flow tube;
FIG. 2 depicts a top view of the fluid flow tube;
FIG. 3 depicts a left side view of the fluid flow tube;
FIG. 4 depicts a right side view of the fluid flow tube;
FIG. 5 depicts a rear end view of the fluid flow tube;
FIG. 6 depicts a front end view of the fluid flow tube; and,
FIG. 7 depicts a bottom view of the fluid flow tube.
The dashed broken lines shown in the drawings depict
portions of the article and environment that form no part of
the claim.

1 Claim, 3 Drawing Sheets



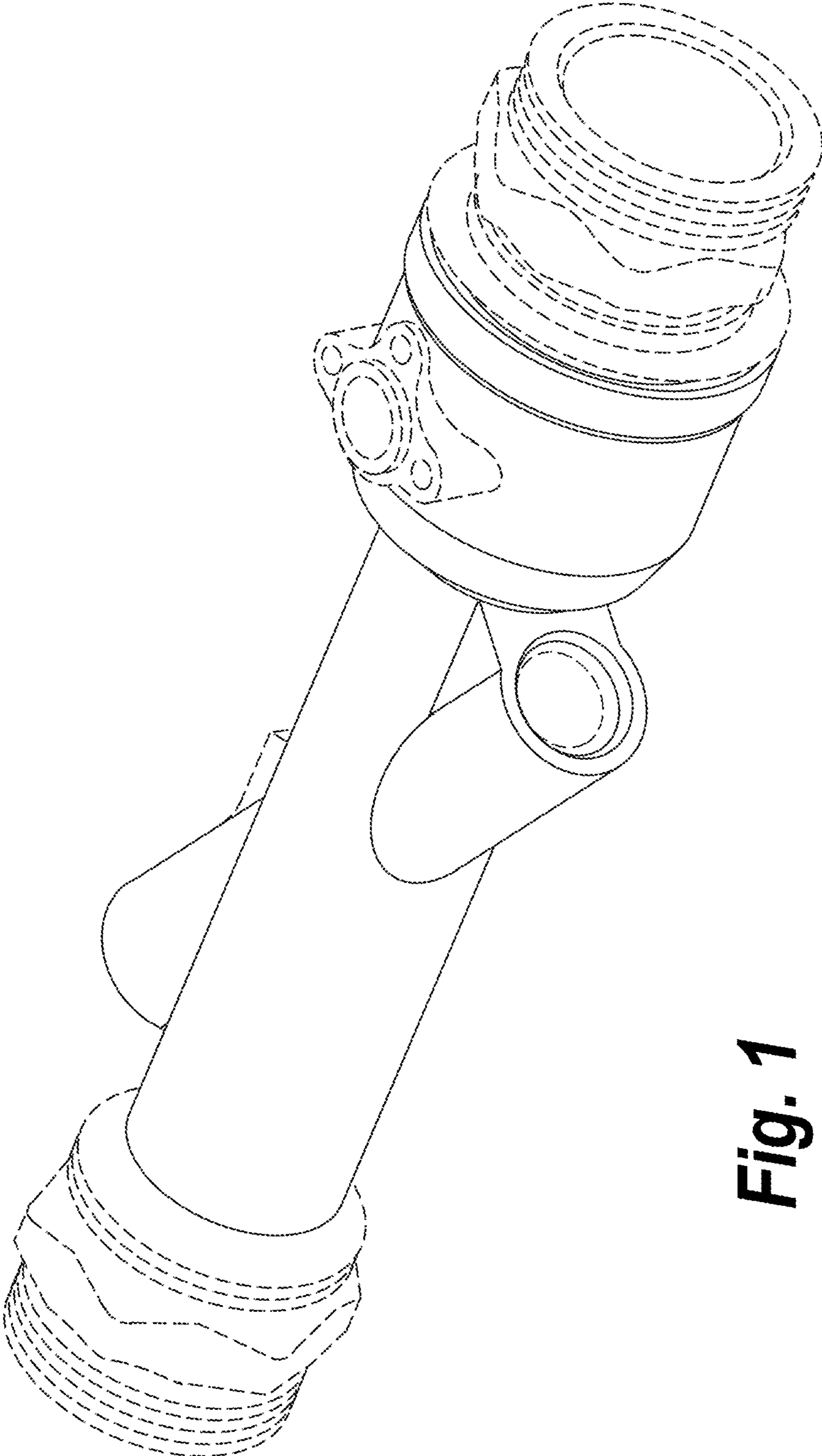


Fig. 1

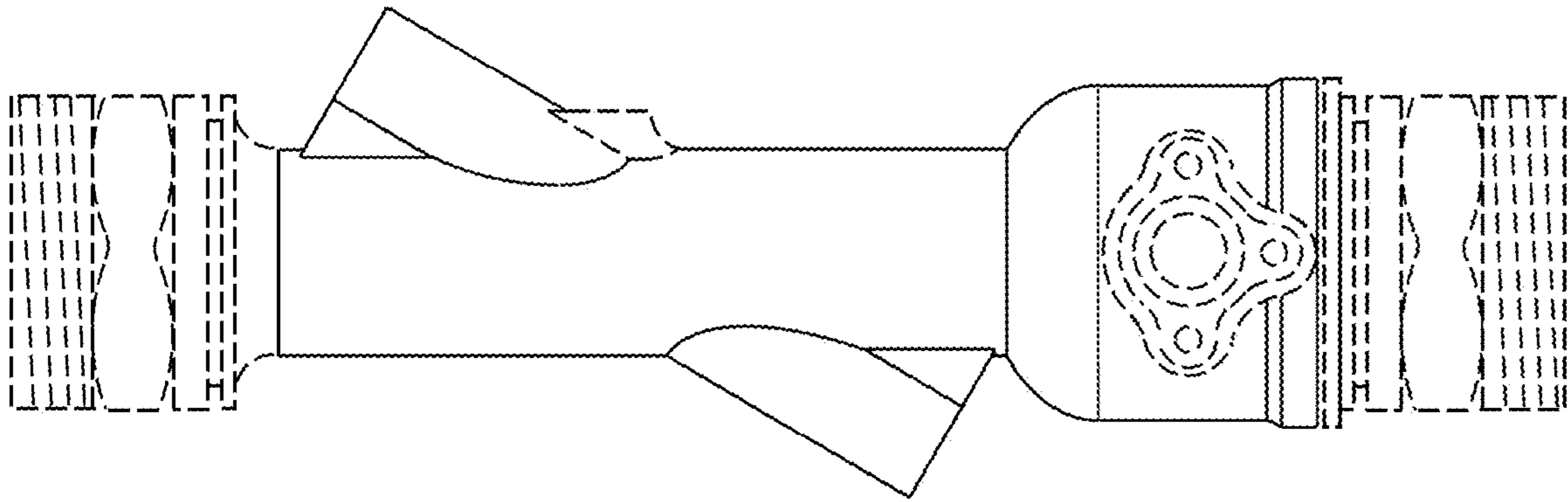


Fig. 2

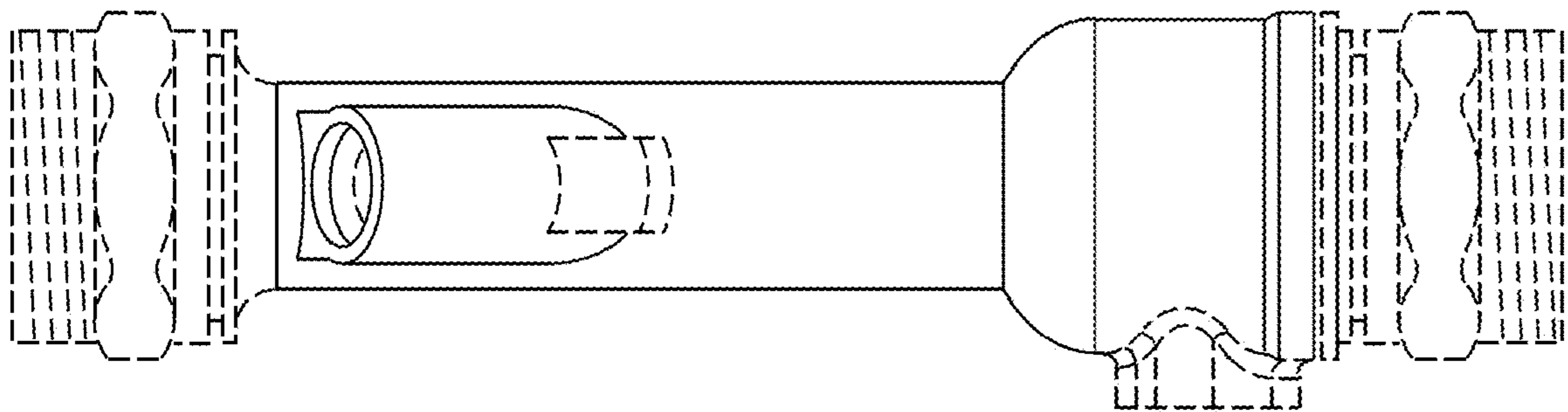


Fig. 3

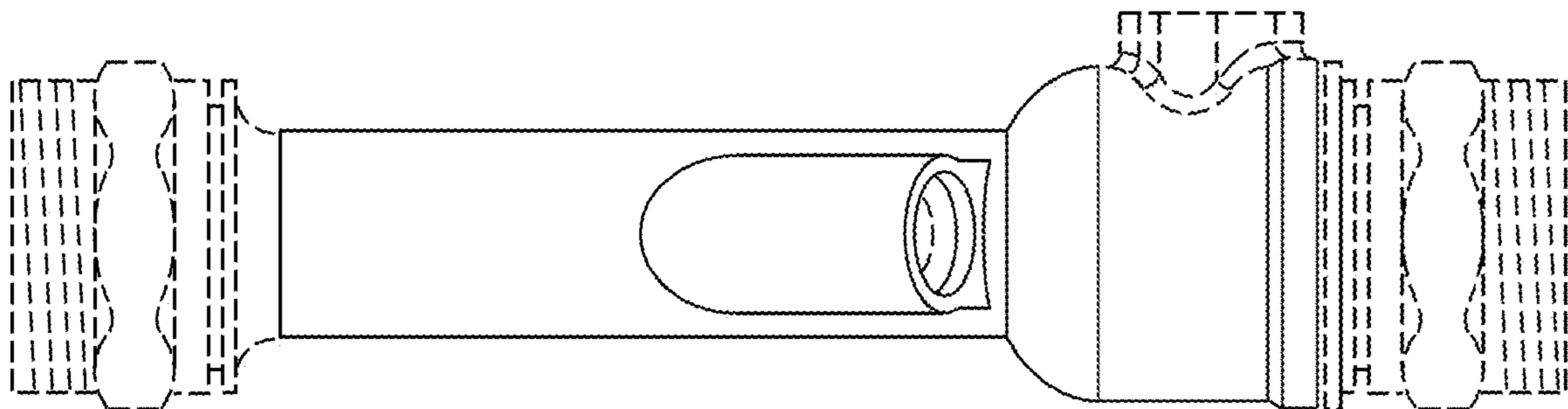


Fig. 4

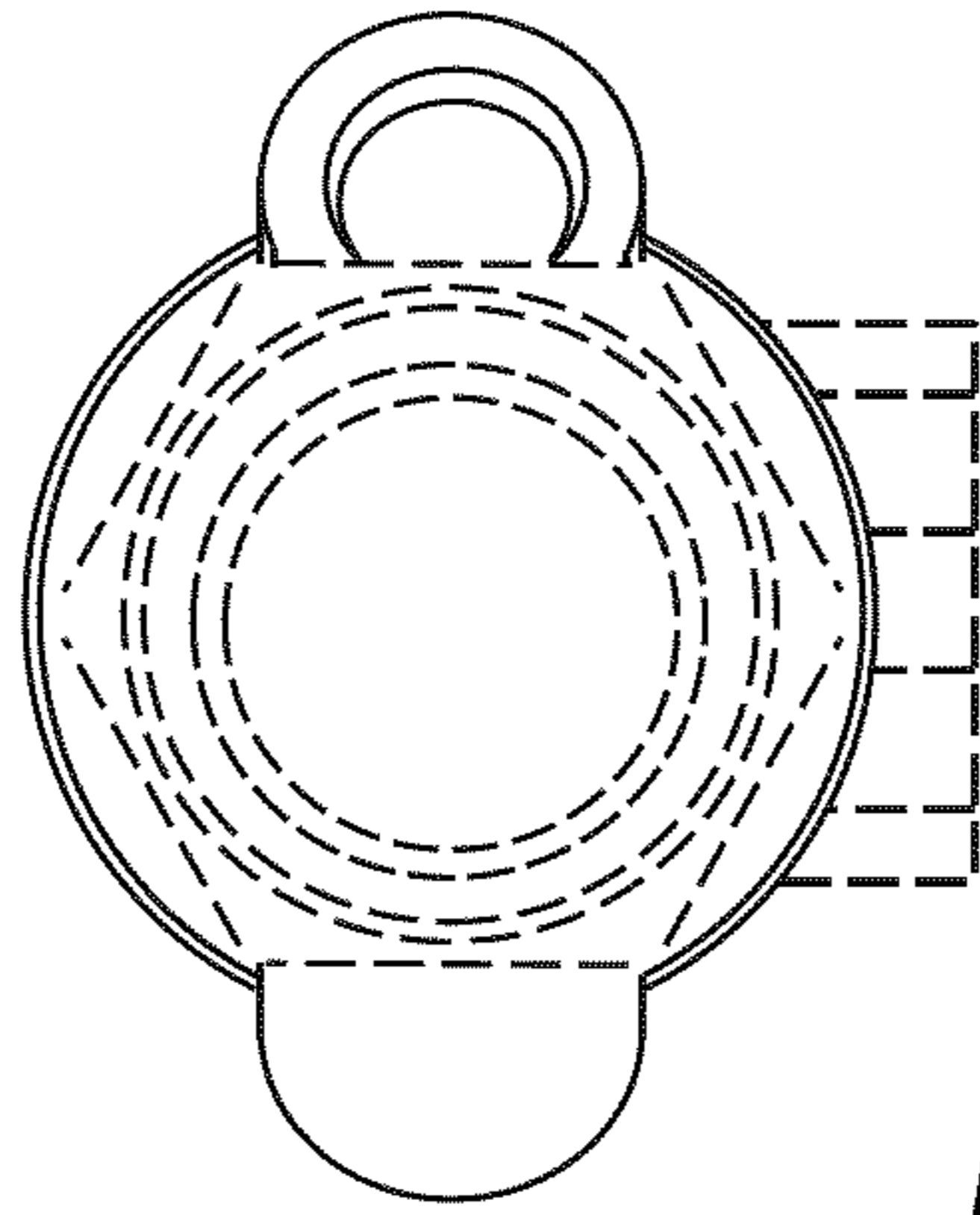


Fig. 5

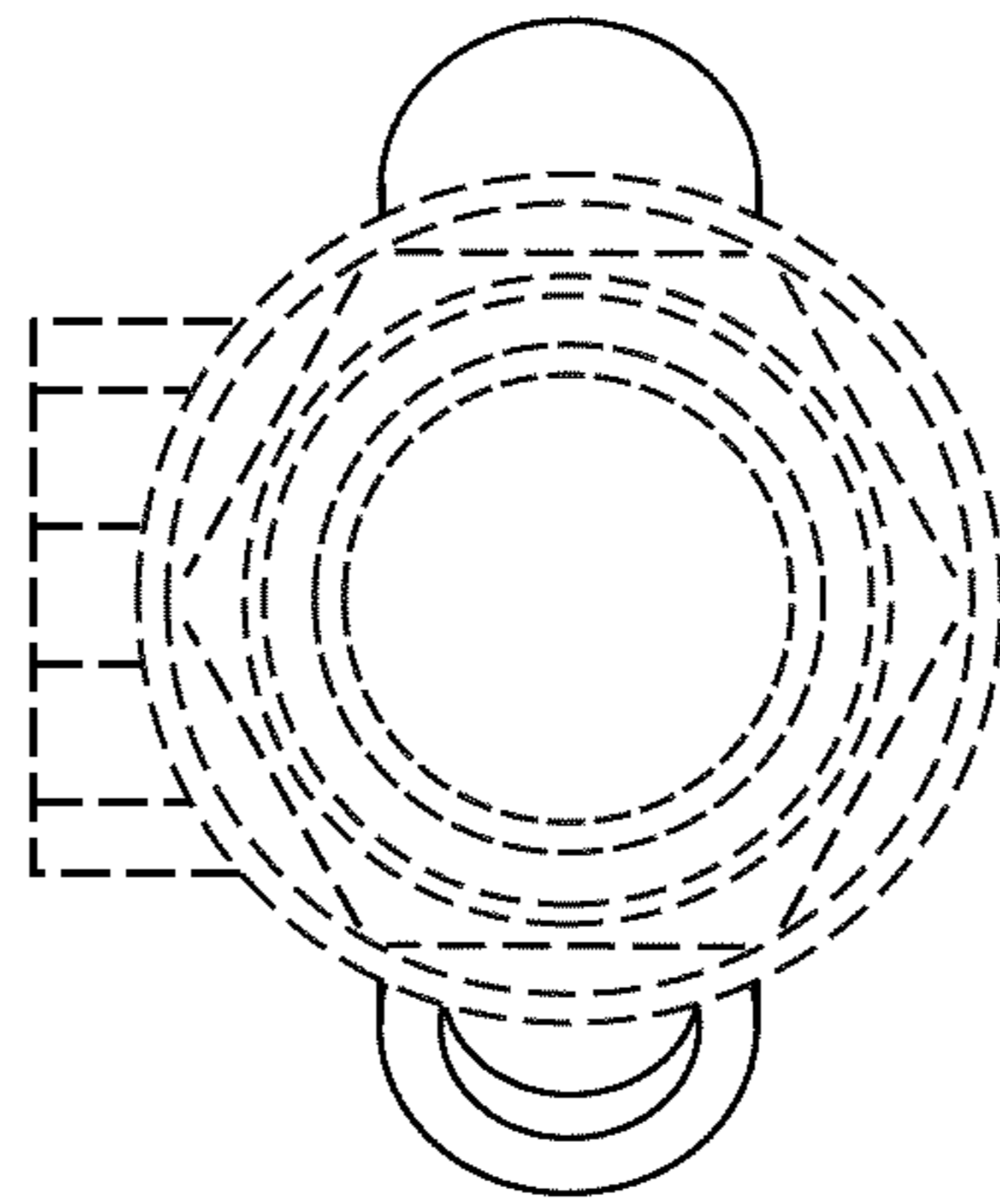


Fig. 6

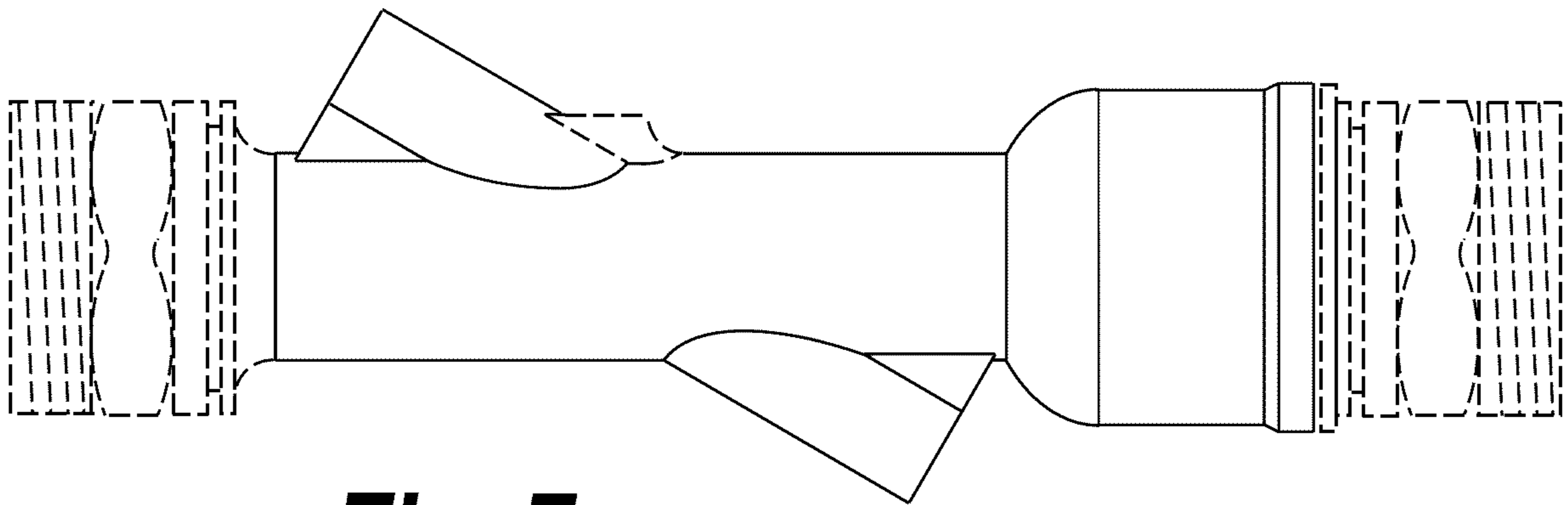


Fig. 7