



US00D894347S

(12) **United States Design Patent** (10) **Patent No.:** **US D894,347 S**
Harrap et al. (45) **Date of Patent:** **** Aug. 25, 2020**

(54) **PISTON DEVICE FOR A VALVE**
(71) Applicant: **Reliance Worldwide Corporation (Aust.) Pty. Ltd., Melbourne (AU)**
(72) Inventors: **Greg Harrap, Melbourne (AU); Gary Hay, Melbourne (AU)**
(73) Assignee: **Reliance Worldwide Corporation (Aust.) Pty. Ltd., Melbourne (AU)**
(**) Term: **15 Years**
(21) Appl. No.: **29/662,447**
(22) Filed: **Sep. 5, 2018**
(30) **Foreign Application Priority Data**
Mar. 9, 2018 (AU) 201811447
(51) **LOC (12) Cl.** **23-01**
(52) **U.S. Cl.**
USPC **D23/262; D23/259**
(58) **Field of Classification Search**
USPC D23/207-209, 233-237, 249, D23/259.262-266, 268-269, 259-265; 285/15-16, 31, 33, 45, 53, 86, 104, 285/148.2, 148.19-148.22, 133.21, 245, 285/257, 291.1, 291.2, 335, 423, 355, 285/390, 417, 34, 305, 321, 323; 251/146-152, 215-216, 143, 155, 162, 251/357; 138/99; D24/129; 137/625.4; 236/12.1; D8/397, 399; D13/133, 154; D32/31-33
CPC F16K 11/07; F16K 31/002; F16L 11/00; F16L 25/01; F16L 17/10; F16L 59/14
See application file for complete search history.

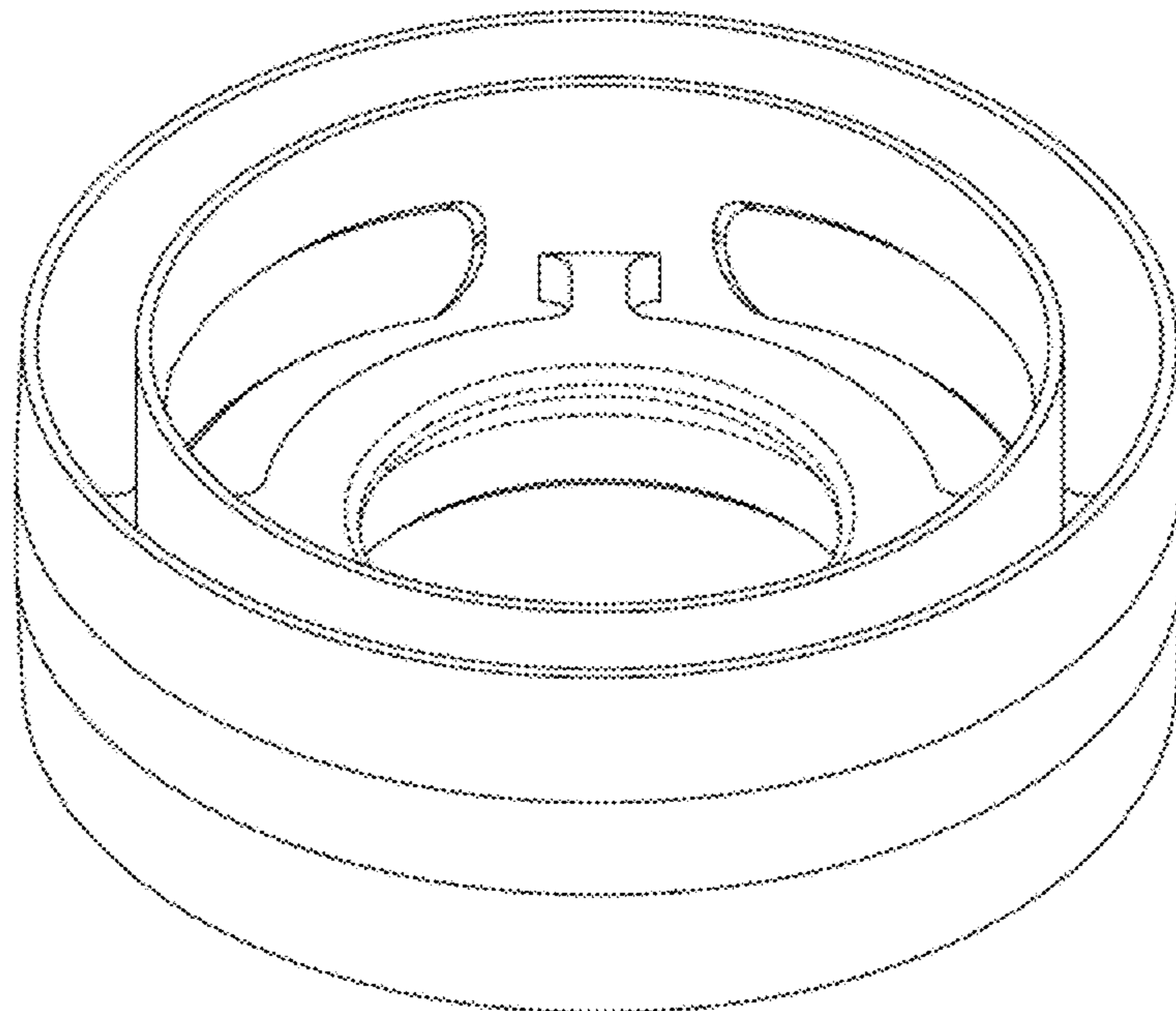
(56) **References Cited**
U.S. PATENT DOCUMENTS
455,180 A * 6/1891 Doman F16L 27/12 285/106
D247,182 S * 2/1978 Ebert D23/262
D314,422 S * 2/1991 Adorjan D23/262
D455,814 S * 4/2002 Magnusson D23/209
7,048,001 B2 * 5/2006 Youngberg G05D 16/0608 137/505.25
D589,126 S * 3/2009 Concannon D23/262
8,186,723 B2 * 5/2012 Kim F16L 21/007 285/104
D704,312 S * 5/2014 Kuo D23/259
D710,485 S * 8/2014 Nudo D23/262
D749,702 S * 2/2016 Rohn D23/259
9,657,790 B2 * 5/2017 Sesser B60T 10/02
2015/0338007 A1 * 11/2015 Brimble F16L 37/107 285/87
2017/0082229 A1 * 3/2017 Meissner F16L 37/091

* cited by examiner
Primary Examiner — Amy C Wierenga
(74) *Attorney, Agent, or Firm* — Stetina Brunda Garred and Brucker

(57) **CLAIM**
The ornamental design for piston device for a valve, as shown and described.

DESCRIPTION
FIG. 1 is a perspective view of piston device for a valve; FIG. 2 is a top view of FIG. 1; FIG. 3 is a bottom view of FIG. 1; FIG. 4 is a right side view of FIG. 1; and, FIG. 5 is a left side view of FIG. 1.
The broken lines shown in the drawings depict portions of the piston device for a valve that form no part of the claim.

1 Claim, 5 Drawing Sheets



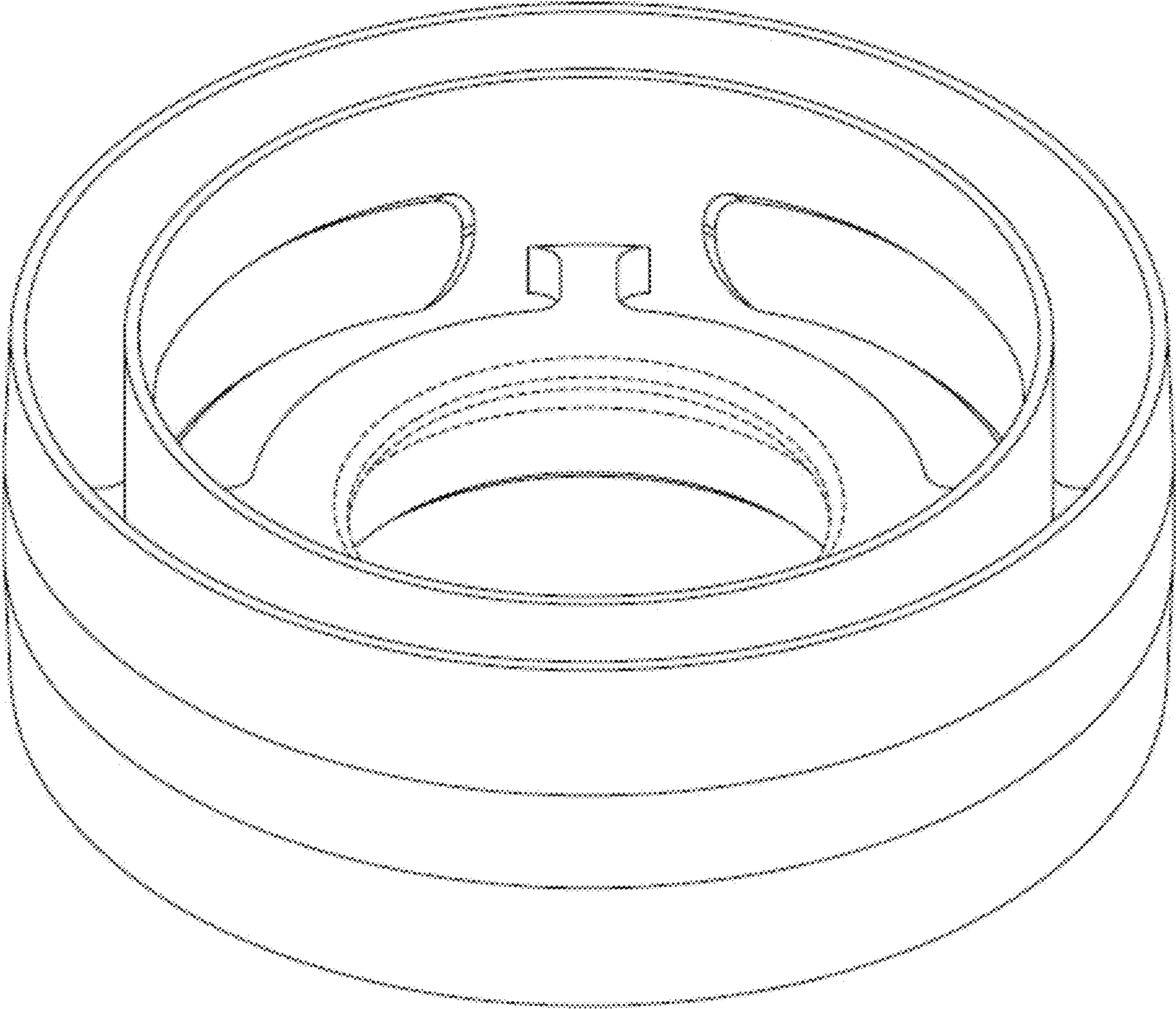


Fig. 1

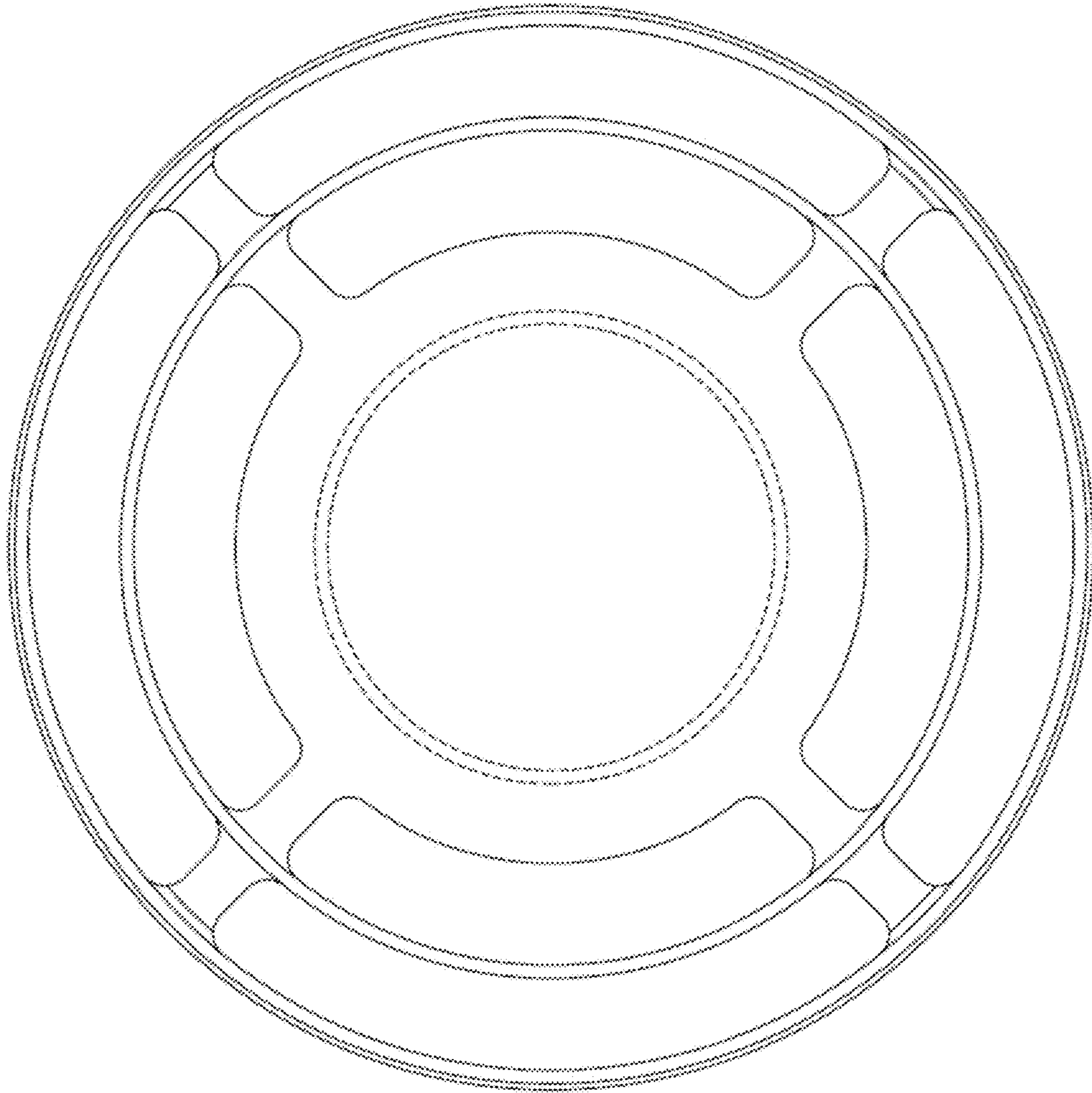


Fig. 2

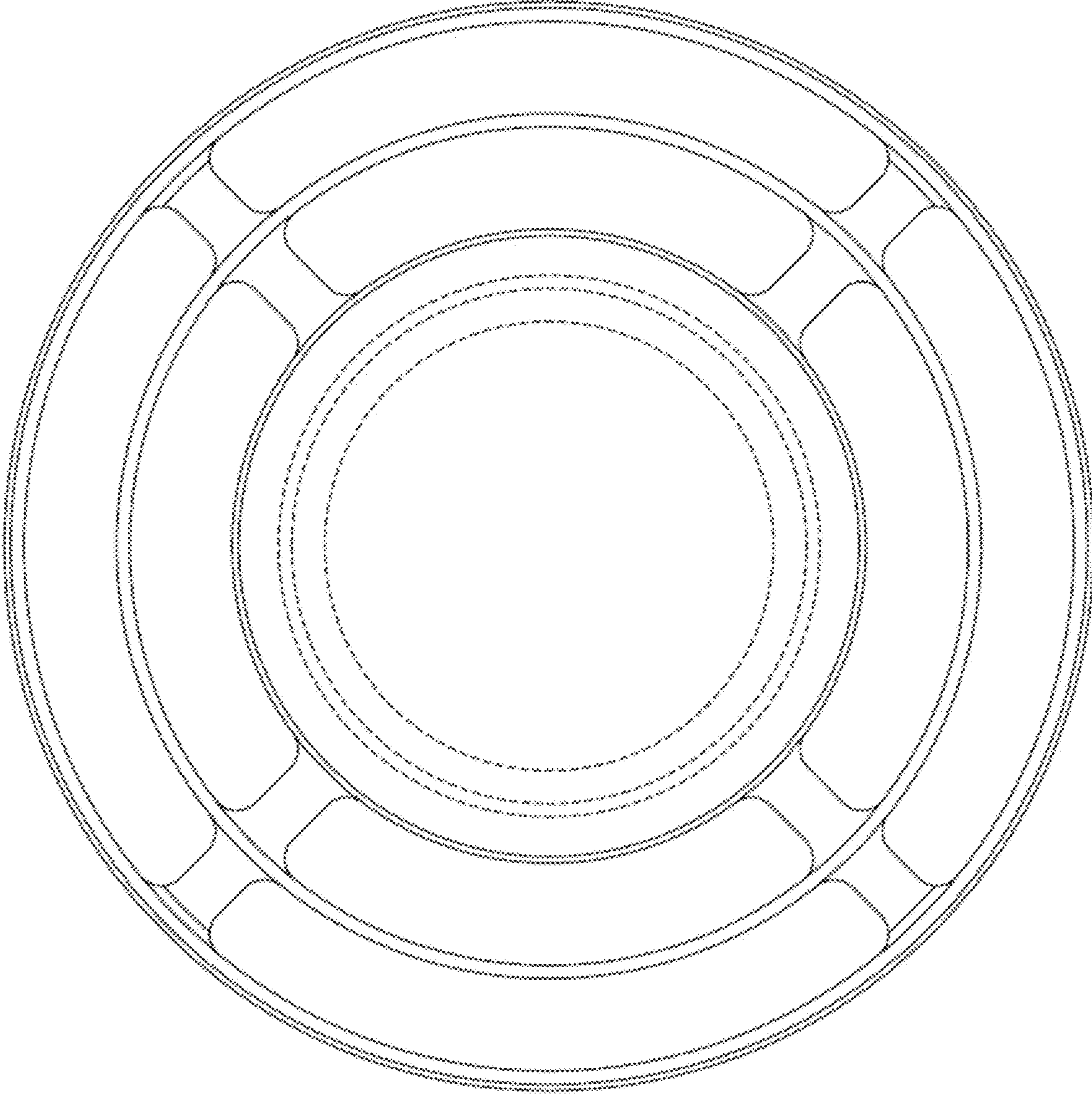


Fig. 3

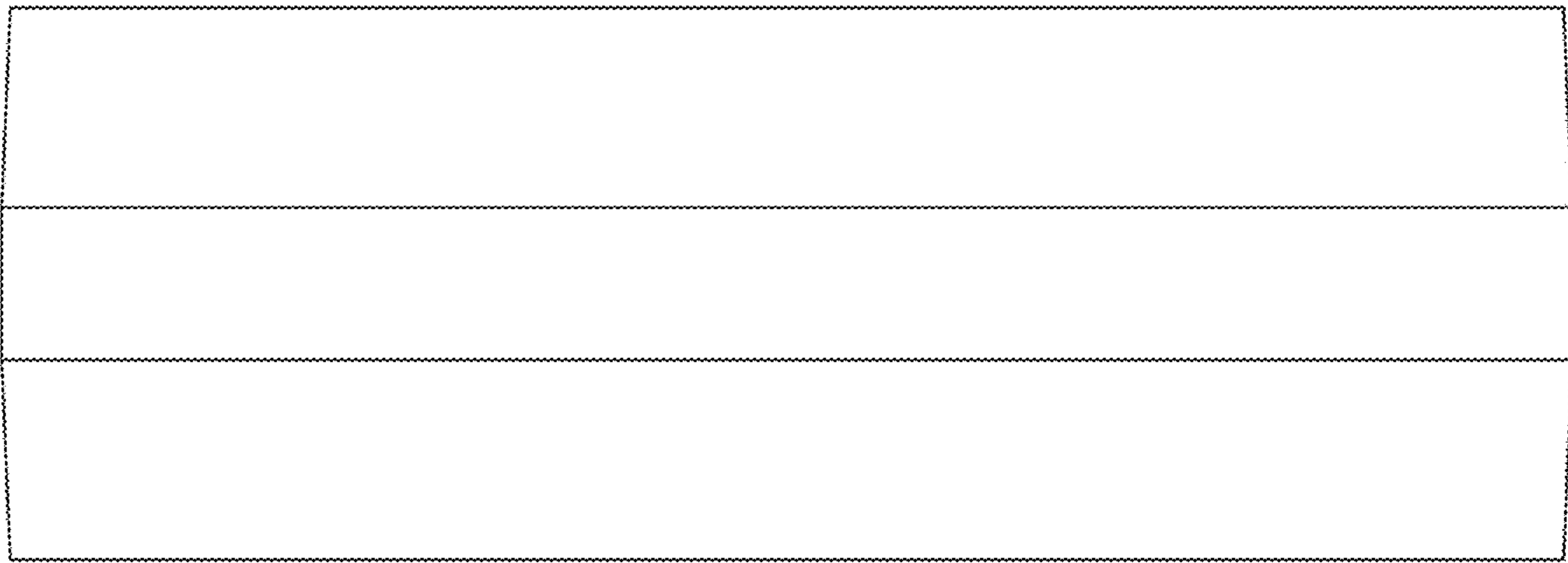


Fig. 4

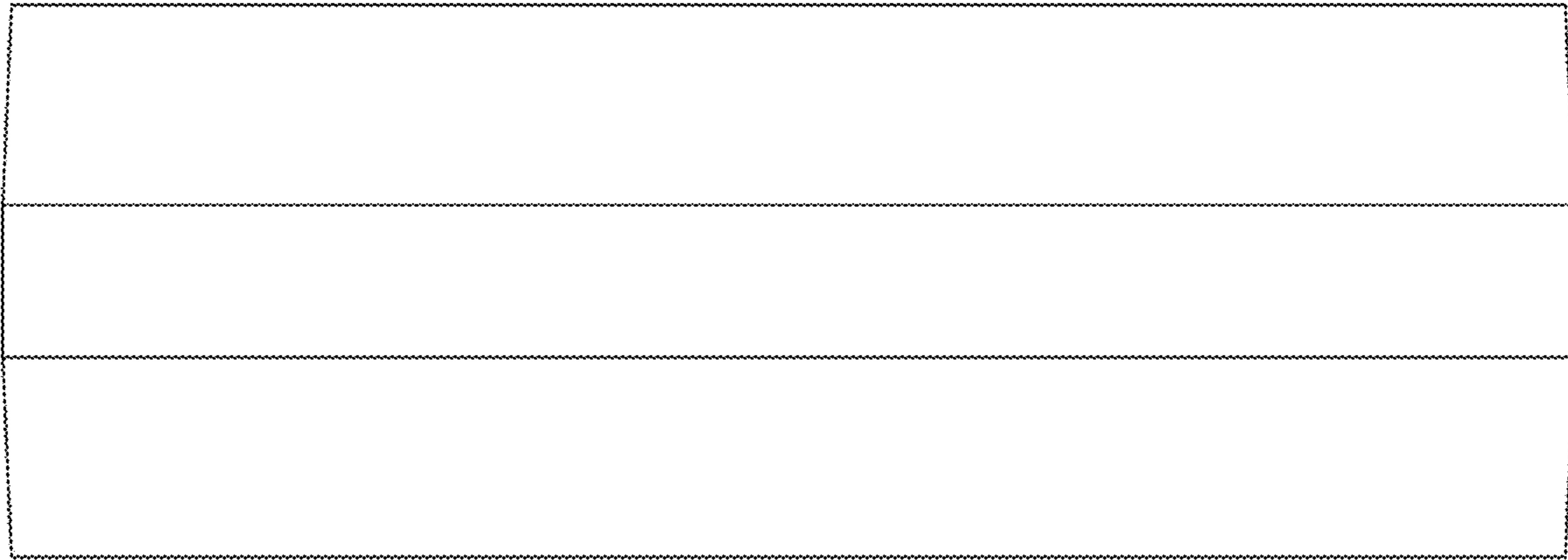


Fig. 5