



US00D894346S

(12) **United States Design Patent** (10) **Patent No.:** **US D894,346 S**
Brigham (45) **Date of Patent:** **** Aug. 25, 2020**

- (54) **DRAIN PLUG**
- (71) Applicant: **Integrity Products & Supplies Inc.**,
Sherwood Park (CA)
- (72) Inventor: **Graham Brigham**, Sherwood Park
(CA)
- (73) Assignee: **INTEGRITY PRODUCTS &
SUPPLIES INC.**, Sherwood Park, AB
(CA)
- (**) Term: **15 Years**
- (21) Appl. No.: **29/695,792**
- (22) Filed: **Jun. 21, 2019**
- (51) **LOC (12) Cl.** **23-01**
- (52) **U.S. Cl.**
USPC **D23/260**
- (58) **Field of Classification Search**
USPC D23/209, 259-261, 388; D13/118, 127;
4/286-287, 295; 138/90
See application file for complete search history.

- D496,985 S * 10/2004 King D23/209
- D610,239 S * 2/2010 Stuebgen D23/260
- D783,783 S * 4/2017 Yang D23/261
- D840,000 S * 2/2019 Yoshihara D23/260
- 2015/0299995 A1* 10/2015 Ye 4/295

OTHER PUBLICATIONS

Integrity Products Drain Plugs YouTube video frame 1:07/2:51; Published Feb. 19, 2019; Visited Online May 10, 2020; <https://www.youtube.com/watch?v=Vkh1GyTAaVw> (Year: 2019).*

Inegrity Products Drain Plug Technical Sheet found on Integrity website; dated Feb. 24,2019 by Internet archive way back: https://web.archive.org/web/2019*/http://www.integrity-products.com/uploads/source/Technical%20Data%20Sheets/Integrity_Drain_Plug_Feature_Sheet.pdf (Year: 2019).*

* cited by examiner

Primary Examiner — Amy C Wierenga
(74) *Attorney, Agent, or Firm* — Davis & Bujold PLLC;
Michael J. Bujold

(56) **References Cited**

U.S. PATENT DOCUMENTS

- 568,195 A * 9/1896 Franklin B01D 35/30
210/238
- 3,075,203 A * 1/1963 Stafford E03C 1/244
4/680
- D357,306 S * 4/1995 Lenox D23/260
- D363,767 S * 10/1995 Swaim D23/260
- 5,749,105 A * 5/1998 Bruno A47K 1/14
4/295
- D398,380 S * 9/1998 Bevacco D23/260
- D411,282 S * 6/1999 King D23/209
- D421,791 S * 3/2000 Ohtani D23/260

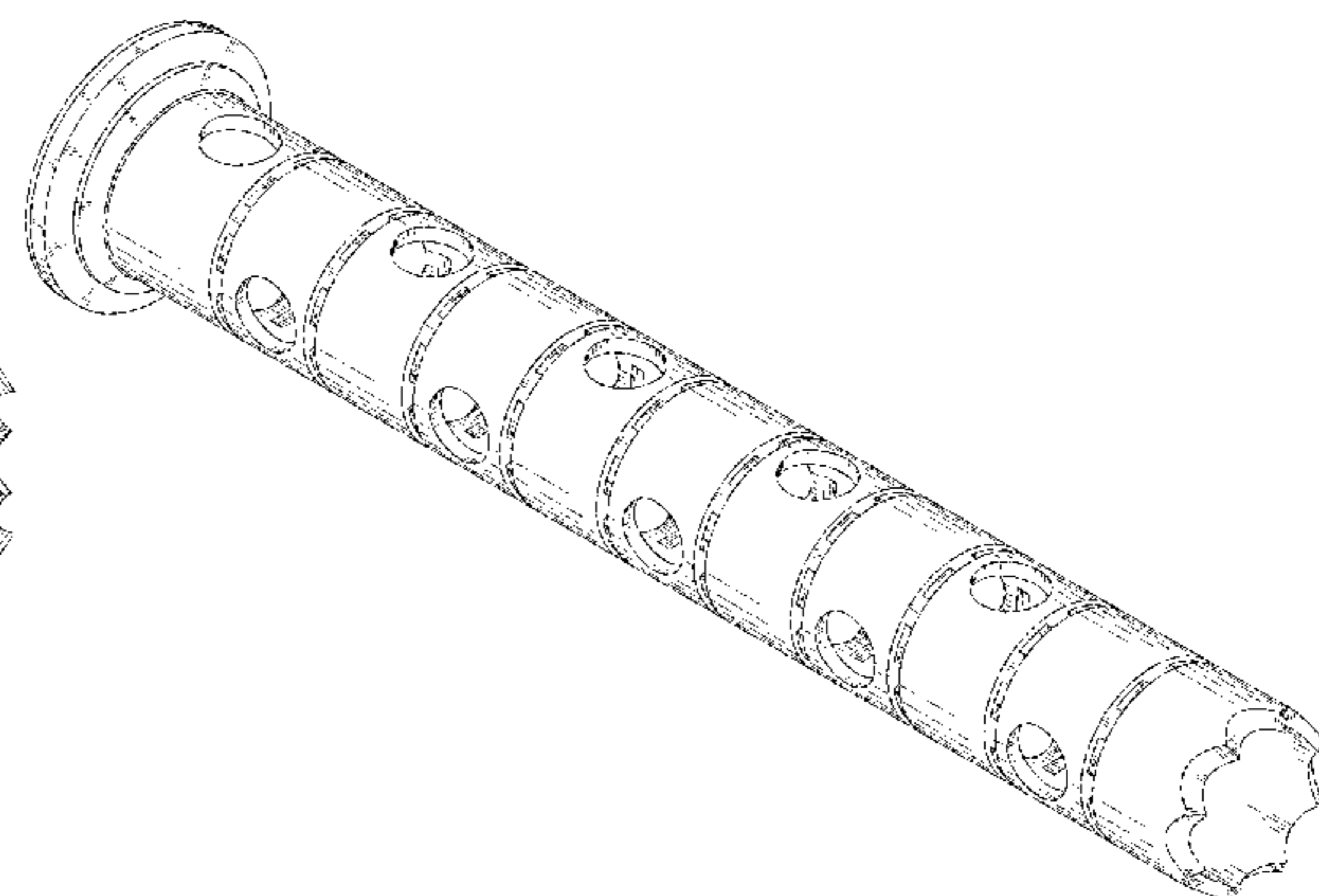
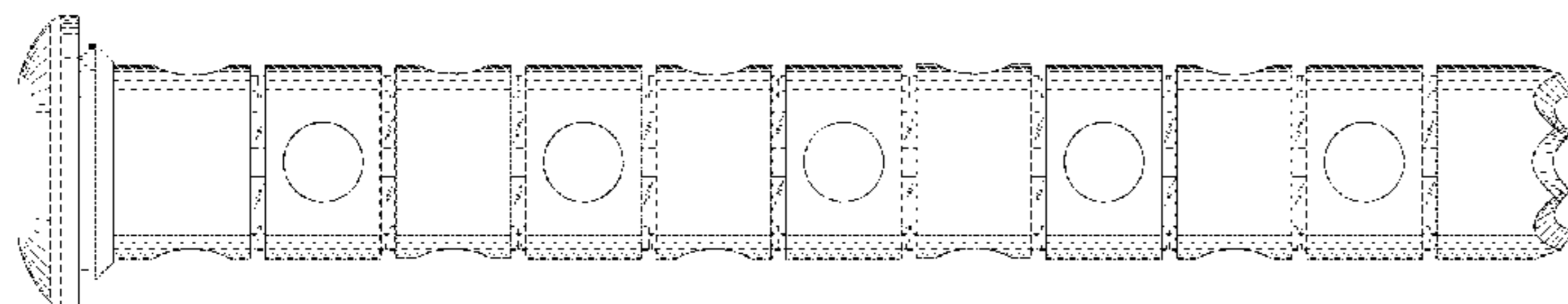
(57) **CLAIM**

The ornamental design for a drain plug, as shown and described.

DESCRIPTION

FIG. 1 is a side view of a drain plug incorporating my new design;
FIG. 2 is a perspective view thereof;
FIG. 3 is an end view showing the closed end thereof; and,
FIG. 4 is an opposite end view showing the open end thereof;

1 Claim, 3 Drawing Sheets



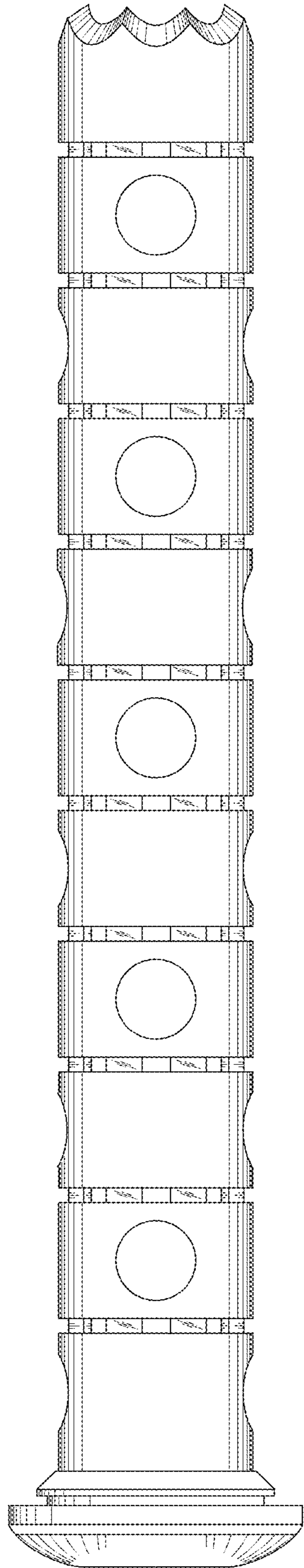


Fig. 1

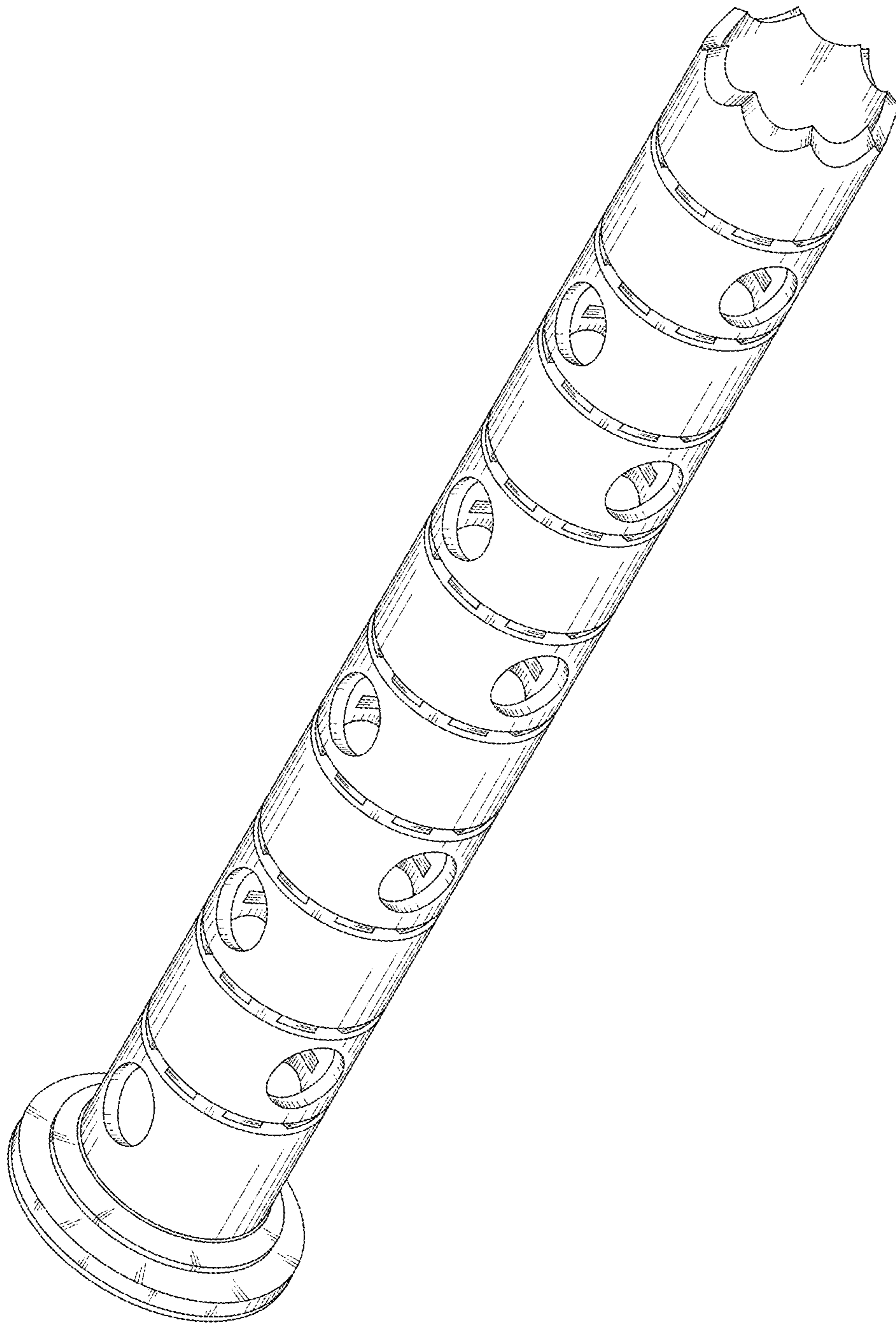


Fig. 2

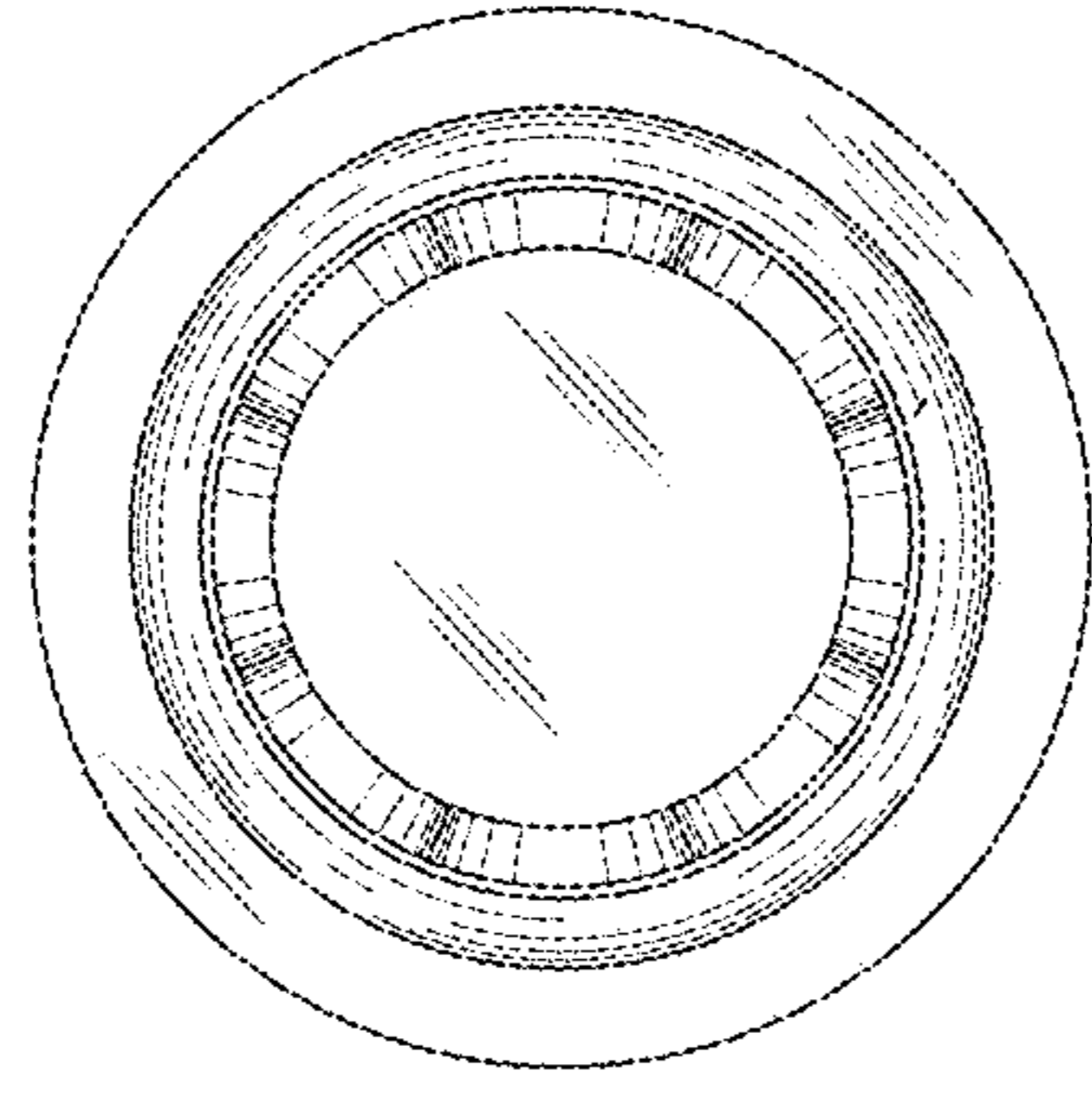


Fig. 4

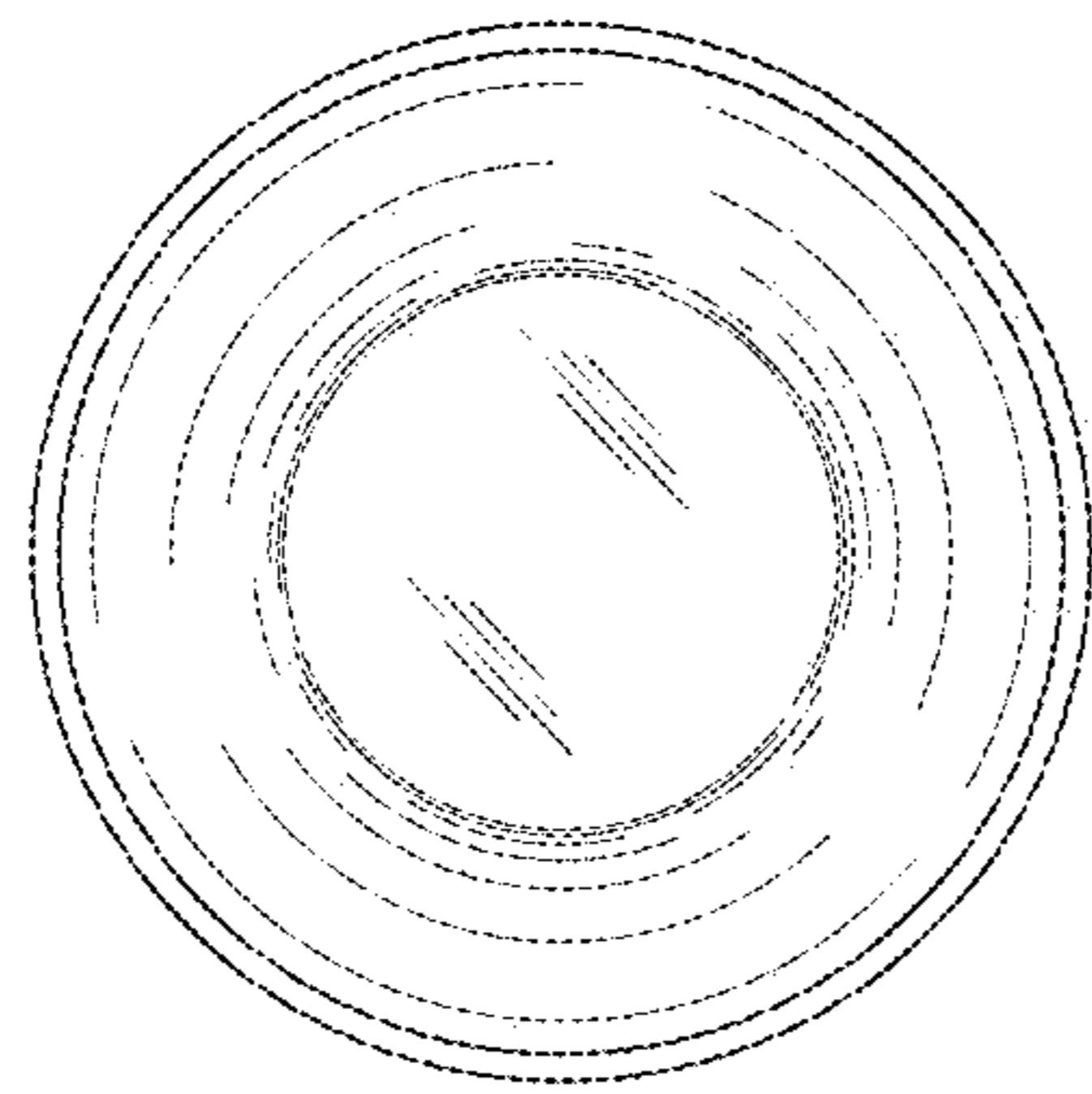


Fig. 3