

US00D894344S

(12) **United States Design Patent**
Kozlowski

(10) **Patent No.:** **US D894,344 S**

(45) **Date of Patent:** **** Aug. 25, 2020**

(54) **LINEAR WALL DRAIN**
(71) Applicant: **Mirosław Kozłowski**, Trumbull, CT (US)
(72) Inventor: **Mirosław Kozłowski**, Trumbull, CT (US)
(73) Assignee: **Drains Unlimited LLC**, Darien, CT (US)
(**) Term: **15 Years**

(21) Appl. No.: **29/664,133**
(22) Filed: **Sep. 21, 2018**
(51) **LOC (12) Cl.** **23-01**
(52) **U.S. Cl.**
USPC **D23/259**
(58) **Field of Classification Search**
USPC D23/249, 259–261, 230, 233–234, D23/236–237, 207–209, 388, 303, 397; 137/15.23, 533.15, 533.11; 251/314, 315, 251/357, 359–362; 4/255.01–255.12, 4/286–289, 290–295, 300.3, 653, 613, 4/688–690, 507, 510, 650, 652, 251.2; 52/12, 16, 11, 169.5, 20, 302.1, 302.7, 52/311.3; 210/162–164; D25/152–153, D25/155–157
CPC E04D 2013/0413; E04D 2013/083; A47K 1/14; E03C 1/22; E03C 1/2302
See application file for complete search history.

(56) **References Cited**
U.S. PATENT DOCUMENTS
5,911,518 A * 6/1999 Jurek A47K 3/283 4/596
D519,618 S * 4/2006 Audette D23/261

D602,126 S * 10/2009 May D23/259
7,774,870 B2 * 8/2010 Griffin E04H 4/1236 4/507
9,777,489 B2 * 10/2017 Gomo E03F 5/06
10,544,576 B2 * 1/2020 Ismert E03F 5/0404
10,550,563 B1 * 2/2020 Kozłowski E03F 5/0408
2011/0067175 A1 * 3/2011 Steylaerts E03F 5/0408 4/679
2012/0037552 A1 * 2/2012 Persson E03F 5/0407 210/163
2017/0241124 A1 * 8/2017 Erlebach A47K 3/40
2018/0340319 A1 * 11/2018 Schluter E03C 1/14
2020/0149261 A1 * 5/2020 Kozłowski E03C 1/22

* cited by examiner

Primary Examiner — Amy C Wierenga
(74) *Attorney, Agent, or Firm* — St. Onge Steward Johnston & Reens LLC

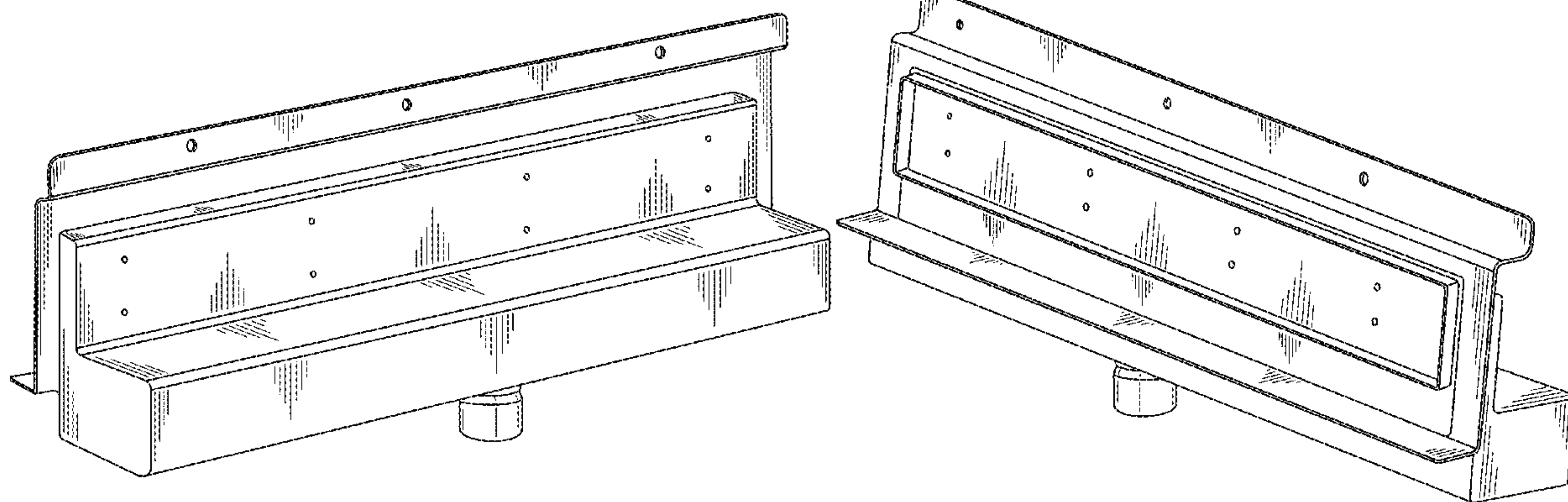
(57) **CLAIM**

The ornamental design for a linear wall drain, as shown and described.

DESCRIPTION

FIG. 1 is a rear isometric view of a linear wall drain in accordance with the new design;
FIG. 2 is a front isometric view thereof;
FIG. 3 is a rear view thereof;
FIG. 4 is a front view thereof;
FIG. 5 is a left side view thereof;
FIG. 6 is a right side view thereof;
FIG. 7 is a top view thereof; and,
FIG. 8 is a bottom view thereof.
The broken lines shown in FIG. 8 illustrate portions of the linear wall drain that form no part of the claim.

1 Claim, 7 Drawing Sheets



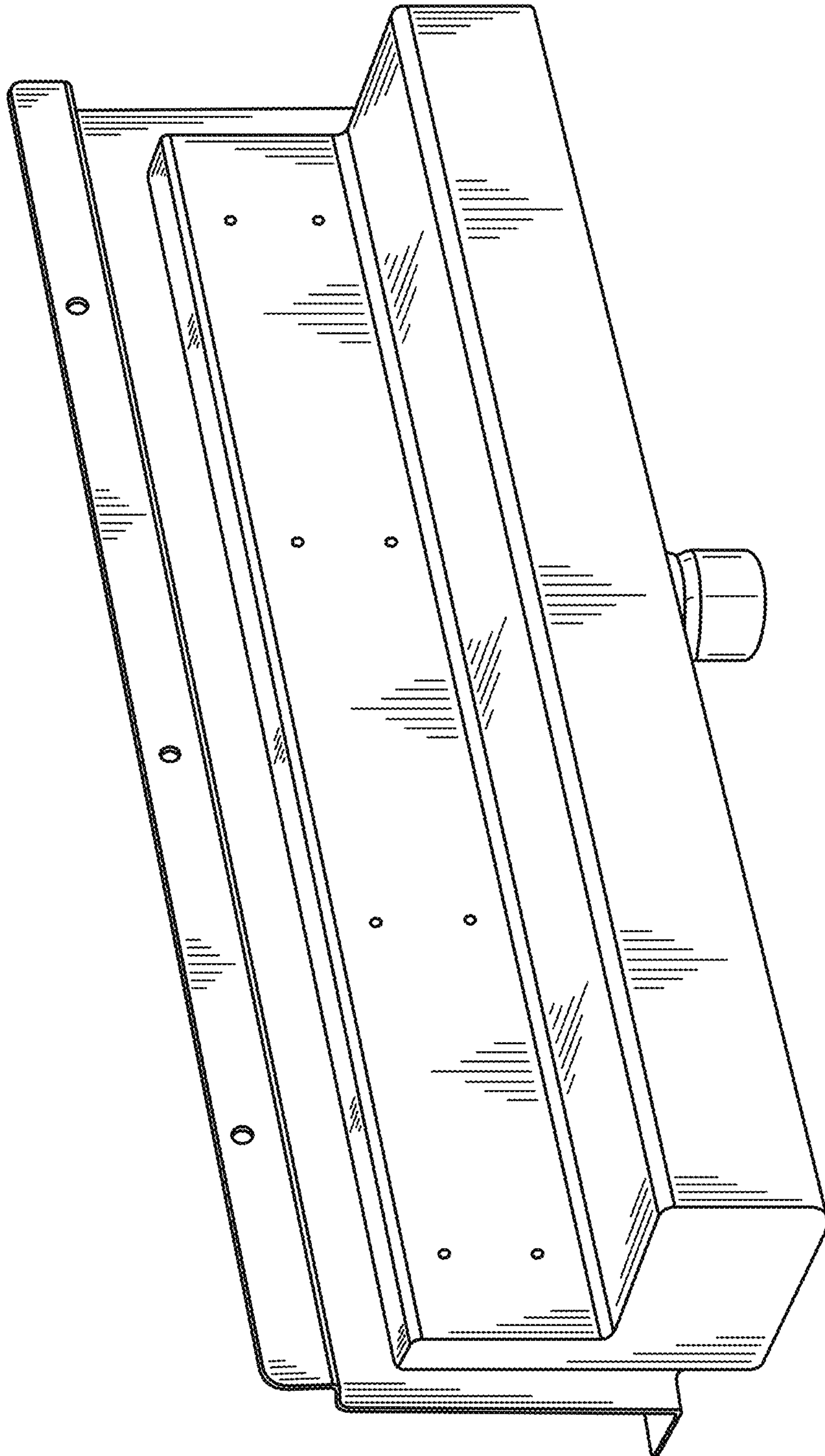


FIG. 1

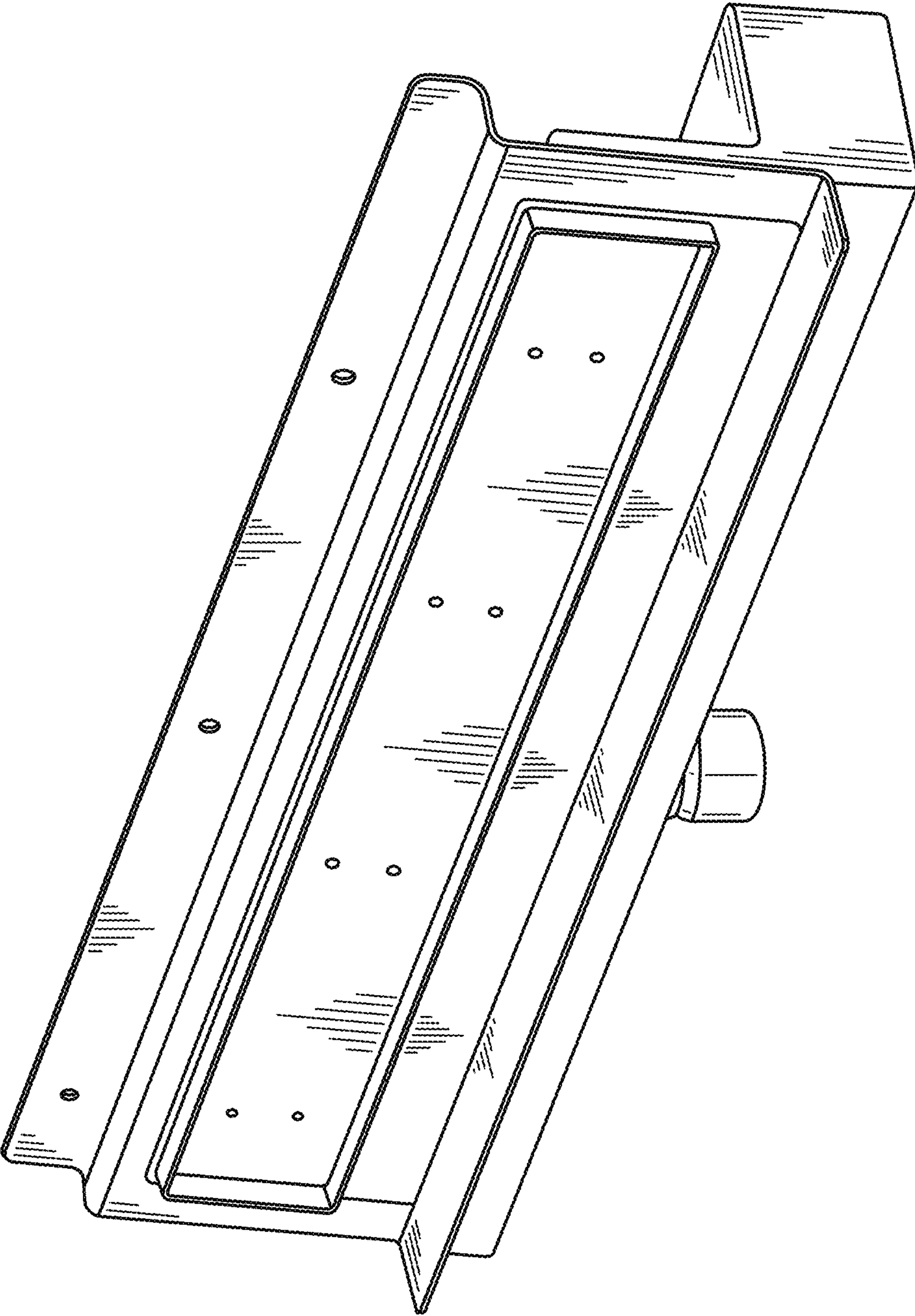


FIG. 2

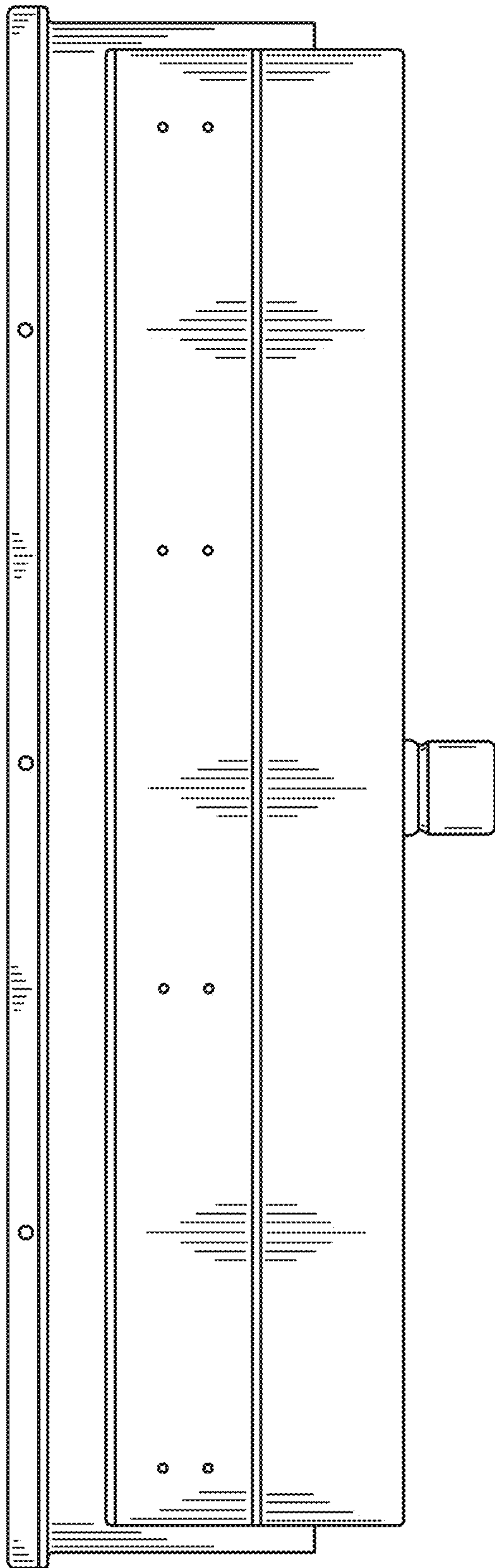


FIG. 3

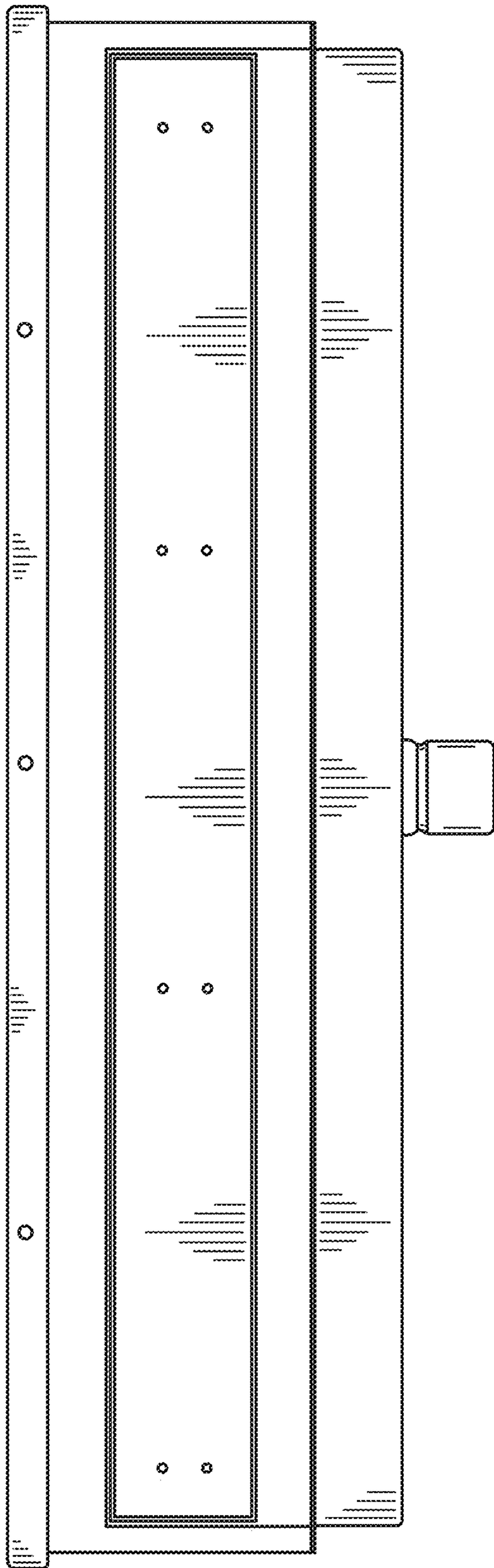


FIG. 4

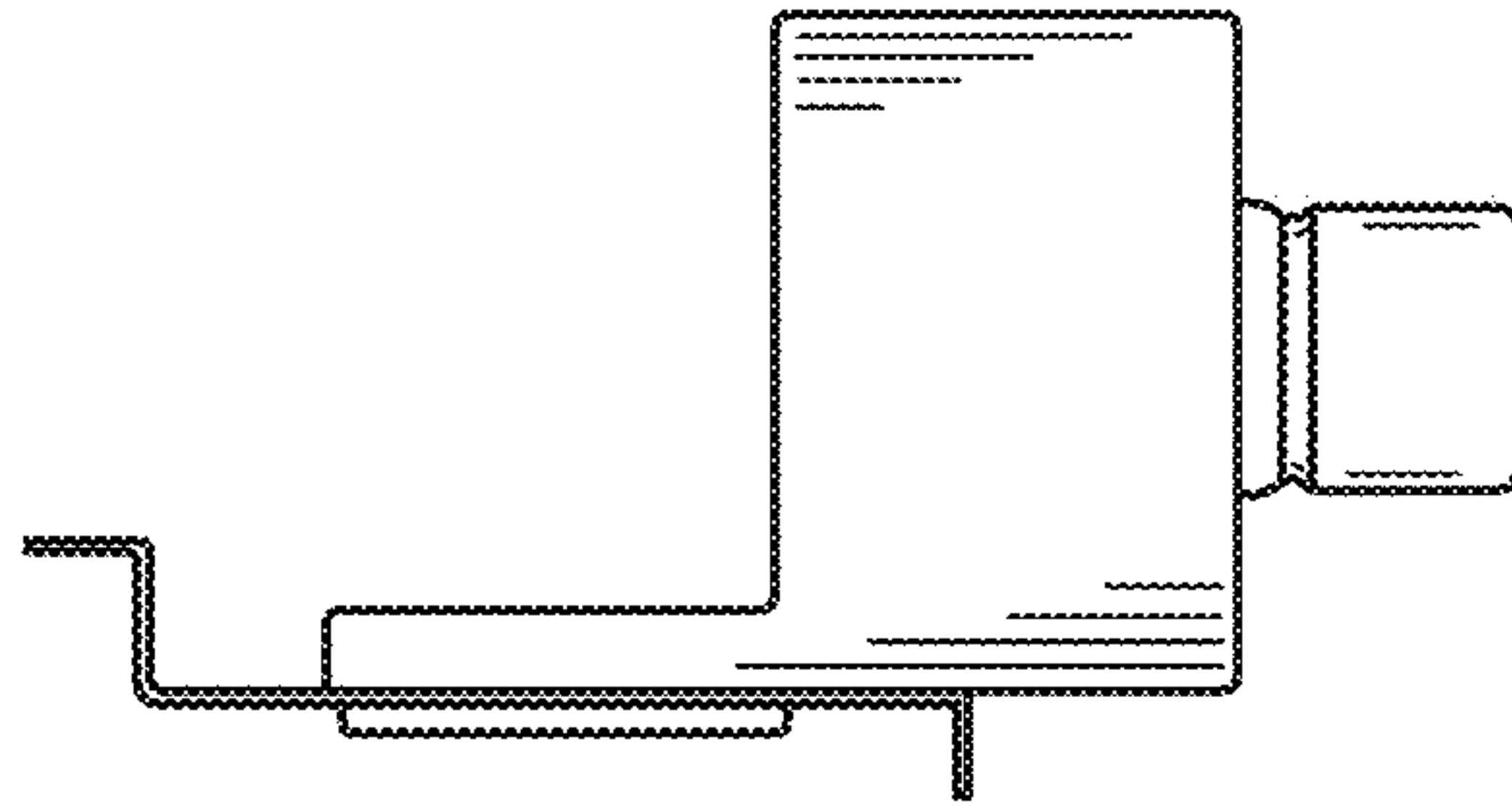


FIG. 6

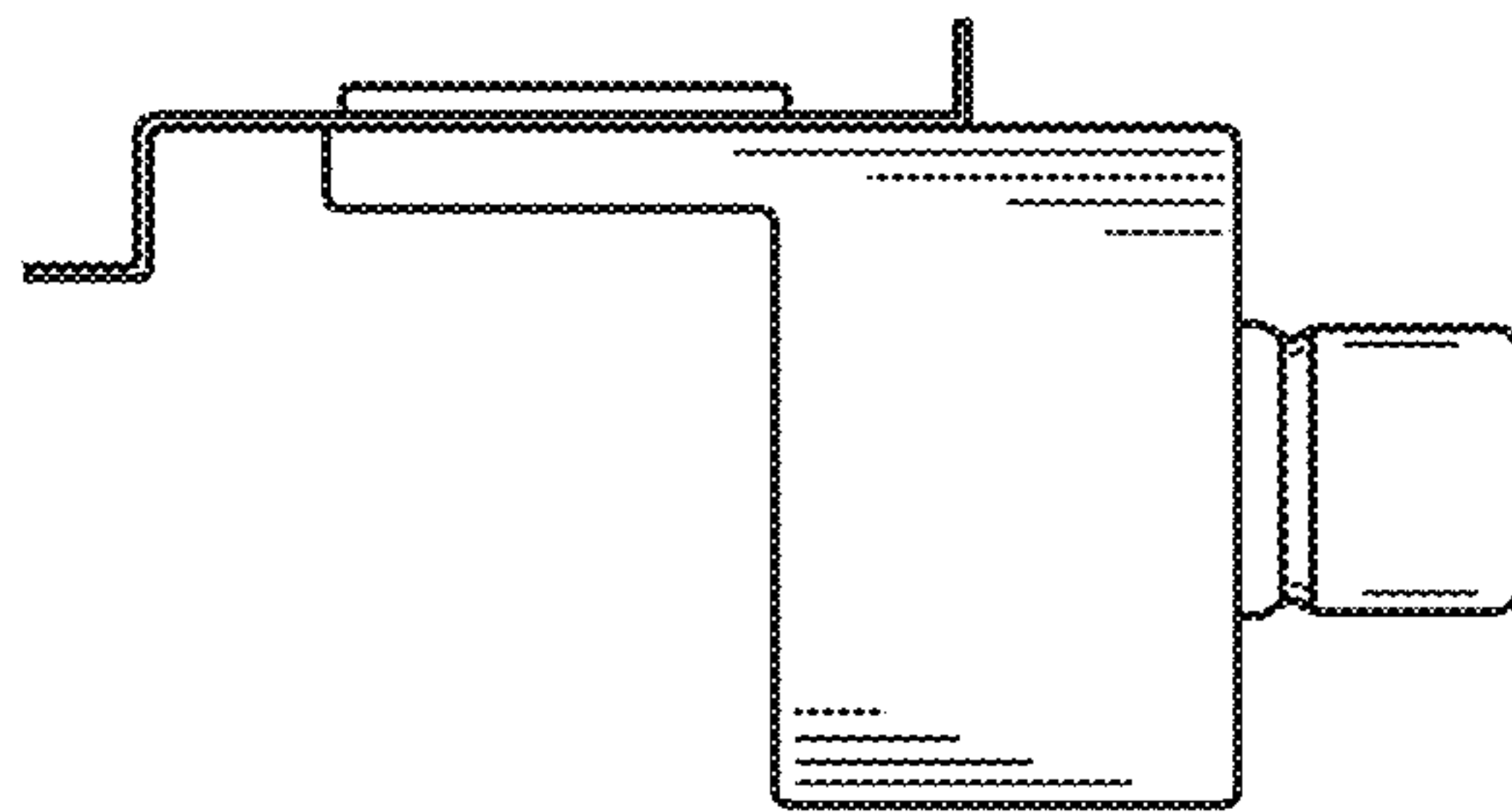


FIG. 5

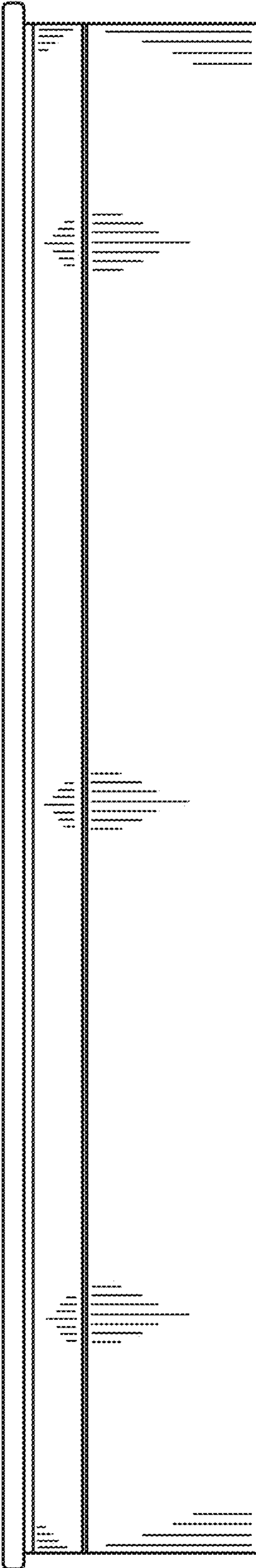


FIG. 7

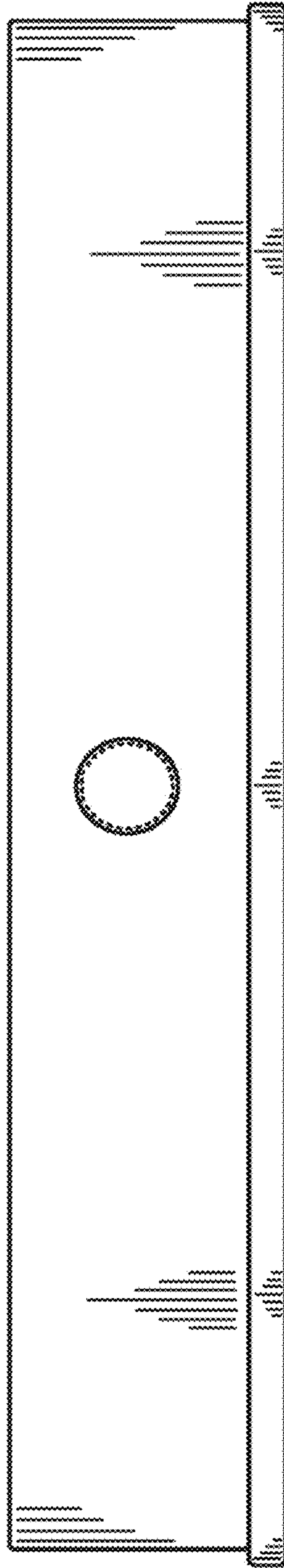


FIG. 8