



US00D894343S

(12) **United States Design Patent**
Hay et al.

(10) **Patent No.:** **US D894,343 S**

(45) **Date of Patent:** **** Aug. 25, 2020**

(54) **PISTON SEATING DEVICE FOR A VALVE**

(71) Applicant: **Reliance Worldwide Corporation (Aust.) Pty. Ltd.**, Melbourne (AU)

(72) Inventors: **Gary Hay**, Melbourne (AU); **Greg Harrap**, Melbourne (AU)

(73) Assignee: **Reliance Worldwide Corporation (Aust.) Pty. Ltd.**, Melbourne (AU)

(**) Term: **15 Years**

(21) Appl. No.: **29/662,446**

(22) Filed: **Sep. 5, 2018**

(30) **Foreign Application Priority Data**

Mar. 9, 2018 (AU) 201811446

(51) **LOC (12) Cl.** **23-01**

(52) **U.S. Cl.**
USPC **D23/259**; D23/269

(58) **Field of Classification Search**

USPC D23/207–209, 233–237, 249, 268–269,
D23/259–266; 285/15–16, 31, 33, 45, 53,
285/86, 104, 148.2, 148.19–148.22,
285/133.21, 245, 257, 291.1, 291.2, 335,
285/423, 355, 390, 417, 34, 305, 321,
285/323; 251/146–152, 215–216, 143,
251/155, 162, 357; 138/99; D24/129;
137/625.4; 236/12.1; D8/397, 399;
D13/133, 154; D32/31–33

CPC F16K 11/07; F16K 31/002; F16L 11/00;
F16L 25/01; F16L 17/10; F16L 59/14

See application file for complete search history.

(56) **References Cited**

U.S. PATENT DOCUMENTS

455,180 A * 6/1891 Doman F16L 27/12
285/106
D247,182 S * 2/1978 Ebert D23/262

5,203,477 A * 4/1993 Lo B67D 1/0832
137/212

5,599,600 A * 2/1997 Rau B29C 73/04
285/917

D430,482 S * 9/2000 Stout, Jr. D23/262

D455,814 S * 4/2002 Magnusson D23/209

6,733,045 B2 * 5/2004 Harrington F16L 37/252
285/143.1

D561,877 S * 2/2008 Hopkins D23/263

D599,894 S * 9/2009 Price D23/262

D651,291 S * 12/2011 Liebson D23/262

D699,822 S * 2/2014 Beaudoin D23/259

D704,312 S * 5/2014 Kuo D23/259

D710,485 S * 8/2014 Nudo D23/262

* cited by examiner

Primary Examiner — Amy C Wierenga

(74) *Attorney, Agent, or Firm* — Stetina Brunda Garred
and Brucker

(57) **CLAIM**

The ornamental design for a piston seating device for a valve, as shown and described.

DESCRIPTION

FIG. 1 is a perspective view of a piston seating device for a valve;

FIG. 2 is a top view of FIG. 1;

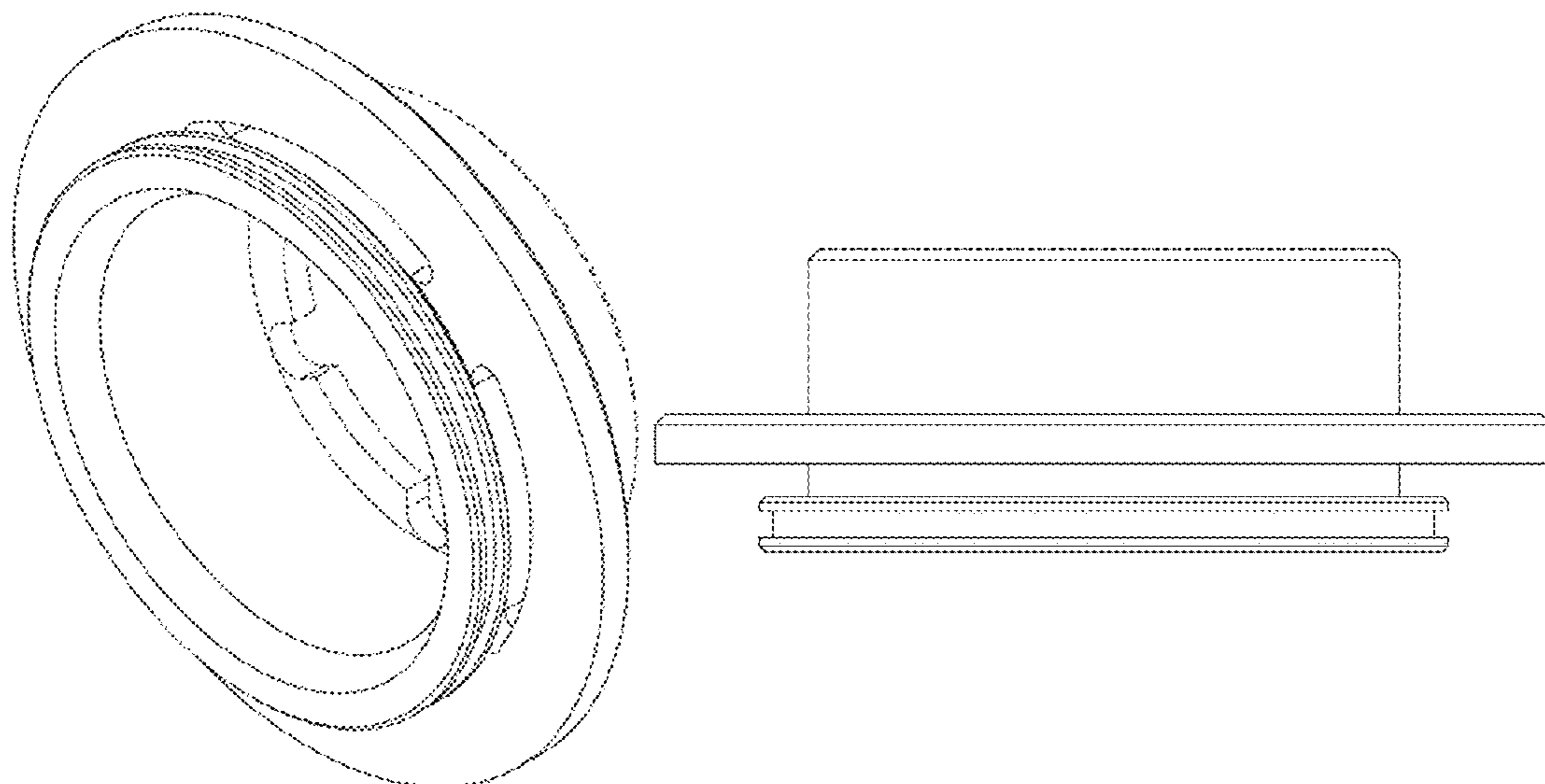
FIG. 3 is a bottom view of FIG. 1;

FIG. 4 is a right-side view of FIG. 1; and,

FIG. 5 is a left-side view of FIG. 1.

The broken lines represent portions of a piston seating device for a valve that form no part of the design to be patented.

1 Claim, 5 Drawing Sheets



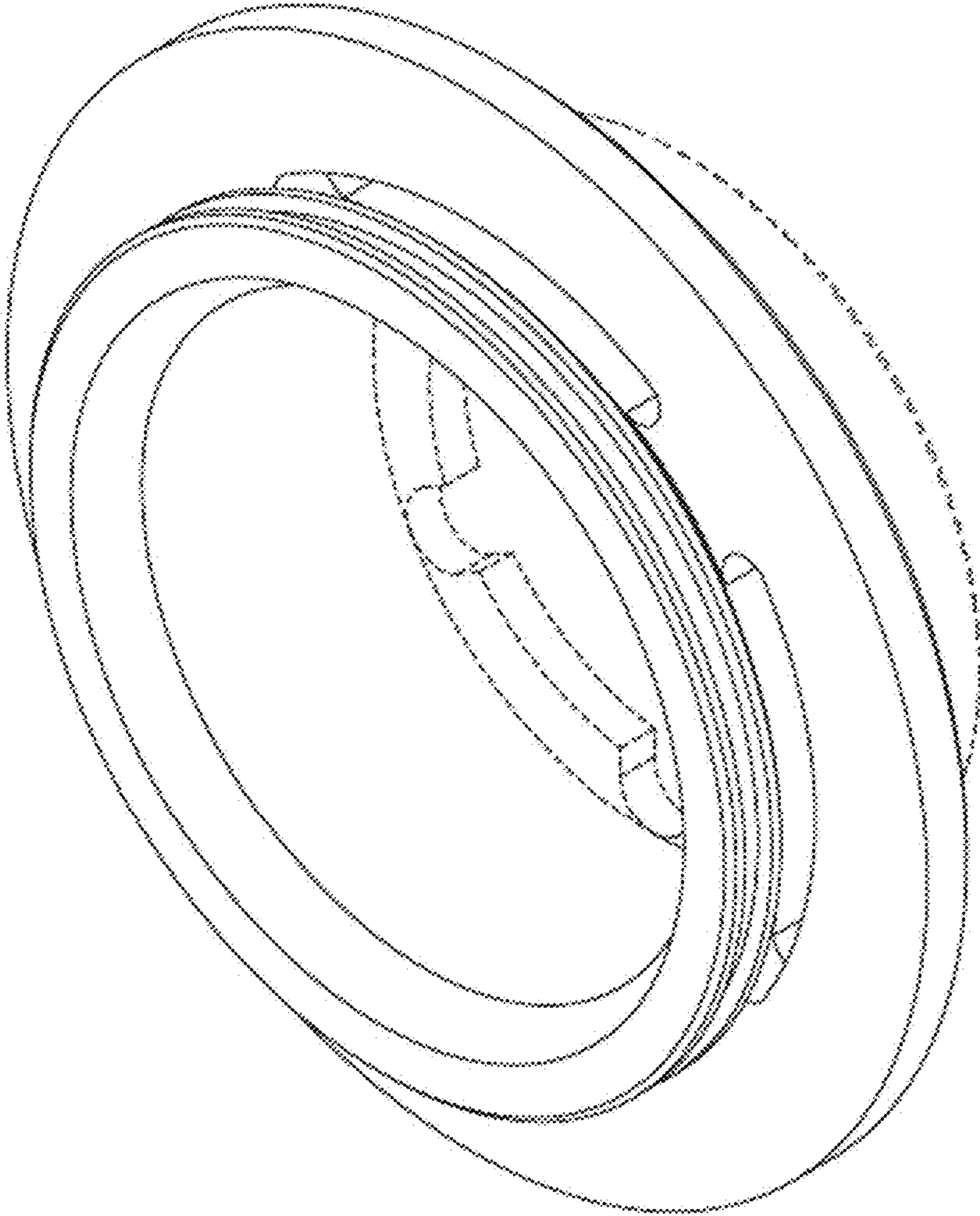


Fig 1.

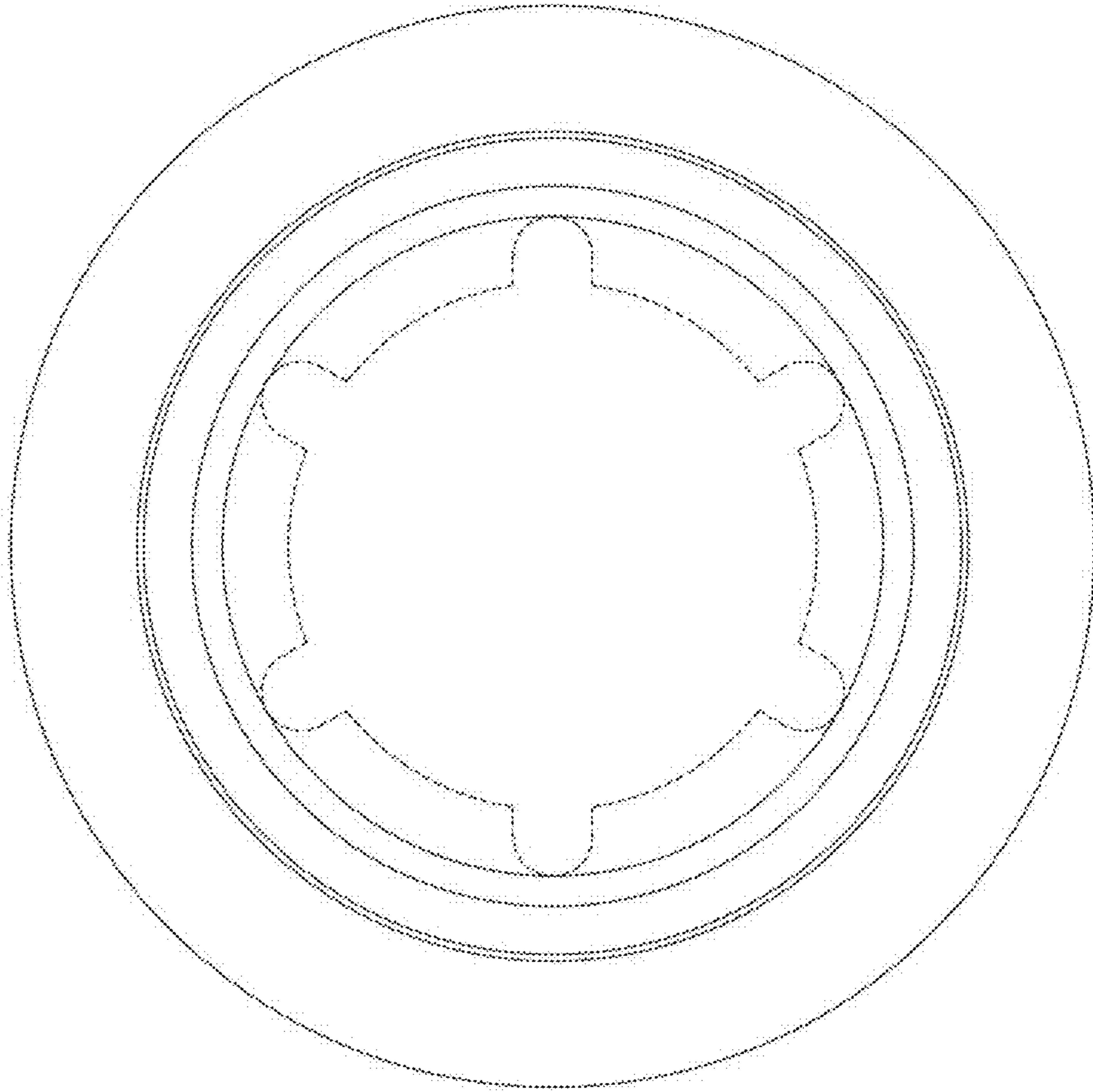


Fig 2.

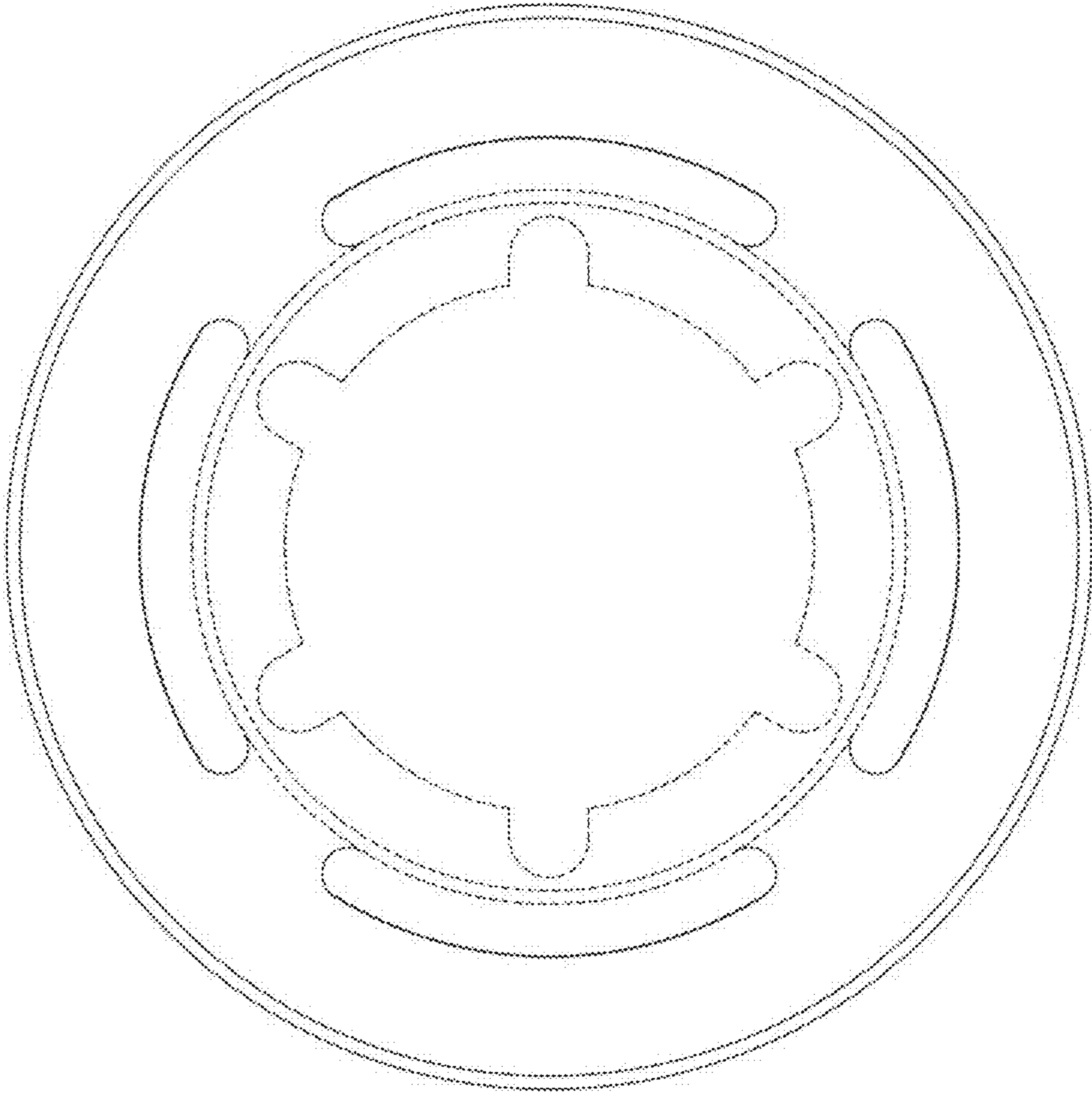


Fig 3.

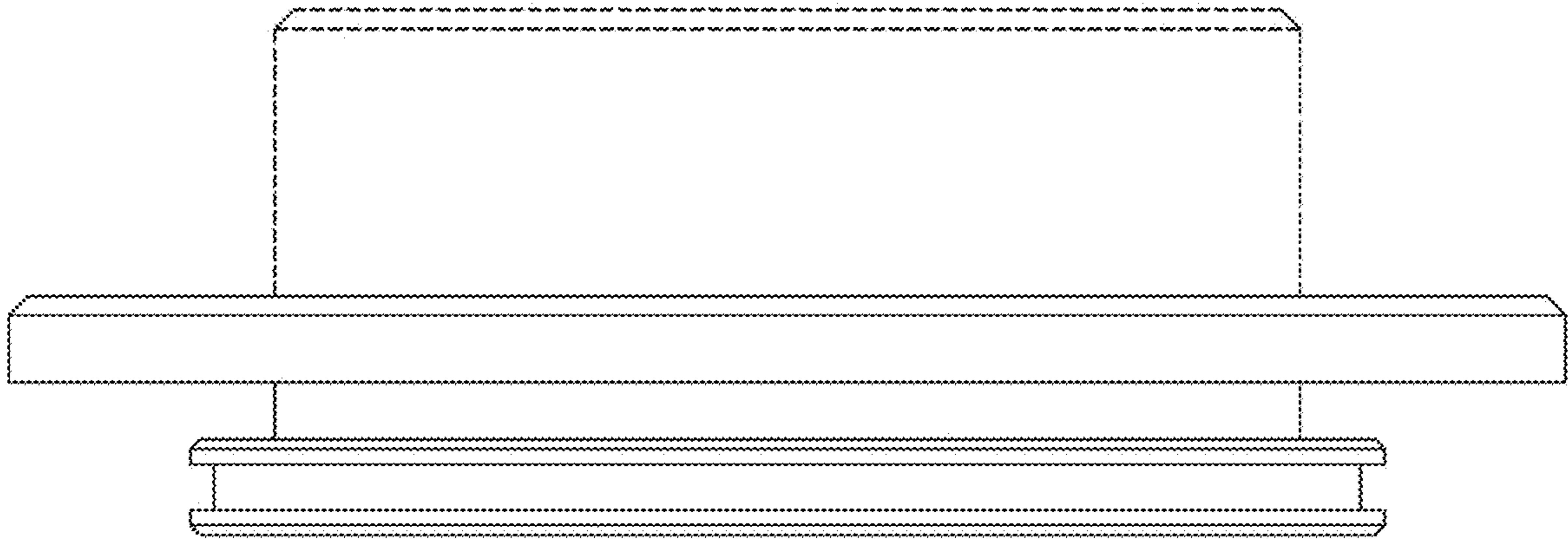


Fig 4.

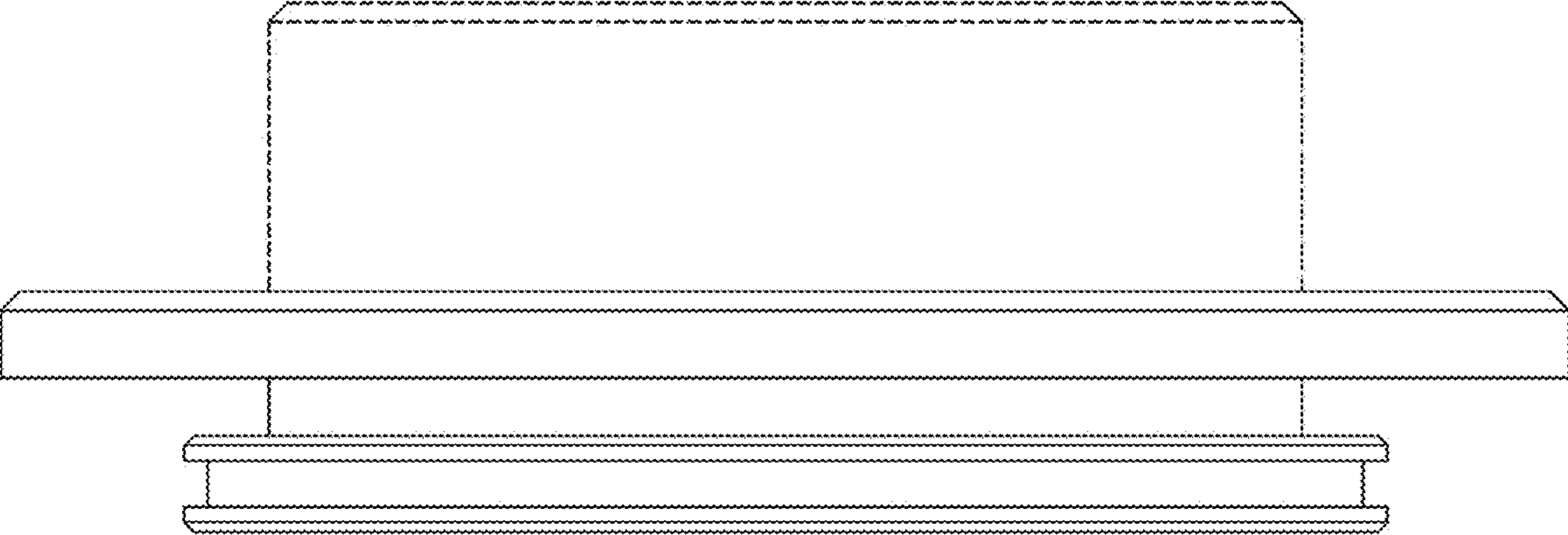


Fig 5.