



US00D894342S

(12) **United States Design Patent** (10) **Patent No.:** **US D894,342 S**
Bogert et al. (45) **Date of Patent:** **** Aug. 25, 2020**

(54) **VALVE ACTUATOR**
(71) Applicant: **Automatic Switch Company**, Florham Park, NJ (US)
(72) Inventors: **Roy B. Bogert**, Lincoln Park, NJ (US); **Christopher Ganci**, Rockaway, NJ (US); **Gregory Volz**, Pequannock, NJ (US); **Jeffrey D. Accursi**, Columbus, OH (US); **Aaron M. Searles**, Columbus, OH (US); **Grace Victoria Tesmer**, Dublin, OH (US)
(73) Assignee: **Automatic Switch Company**, Florham Park, NJ (US)

6,073,907 A * 6/2000 Schreiner, Jr. F16K 31/043
251/129.12
7,048,251 B2 * 5/2006 Schreiner F16K 31/055
251/291
D615,618 S * 5/2010 Someya D23/233
8,342,478 B1 * 1/2013 Cordray F16K 37/0075
137/554
9,702,474 B1 * 7/2017 Mu F16K 31/05

* cited by examiner

Primary Examiner — Gino Colan
(74) *Attorney, Agent, or Firm* — Mackey Law Firm PLLC

(**) Term: **15 Years**
(21) Appl. No.: **29/675,751**
(22) Filed: **Jan. 4, 2019**
(51) **LOC (12) Cl.** **23-01**
(52) **U.S. Cl.**
USPC **D23/249**
(58) **Field of Classification Search**
USPC D23/233, 235, 237, 241–249; 251/291,
251/129.12, 171; 137/554
CPC .. F16K 31/0675; F16K 31/046; F16K 31/004;
F16K 31/02; F16K 27/048; F16K 31/082;
F16K 37/0025; F16K 3/0254; F16K 3/26;
F16K 3/32; F16K 7/16
See application file for complete search history.

(57) **CLAIM**

The ornamental design for a valve actuator, as shown and described.

DESCRIPTION

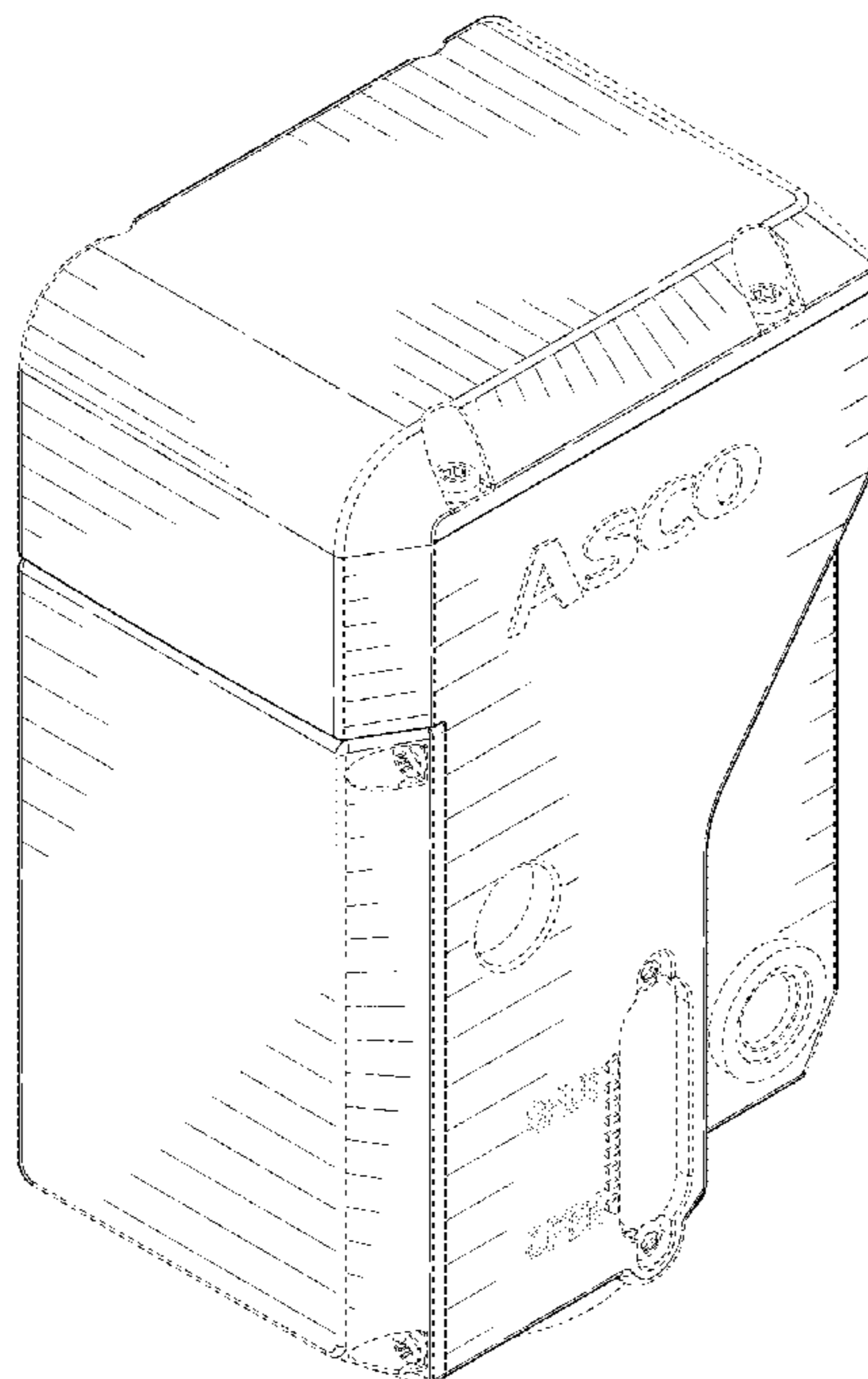
FIG. 1 is a top perspective view of a valve actuator according to the disclosure.
FIG. 2 is a front view of the valve actuator of FIG. 1.
FIG. 3 is a rear view of the valve actuator of FIG. 1.
FIG. 4 is a side view of the valve actuator of FIG. 1.
FIG. 5 is another side view of the valve actuator of FIG. 1.
FIG. 6 is a top view of the valve actuator of FIG. 1; and, FIG. 7 is a bottom view of the valve actuator of FIG. 1.
The broken lines shown in the figures are for the purpose of illustrating portions of the valve actuator and form no part of the claimed design.

(56) **References Cited**

U.S. PATENT DOCUMENTS

D295,280 S * 4/1988 Walser D23/249
5,540,414 A * 7/1996 Giordani F16K 5/0647
251/171

1 Claim, 6 Drawing Sheets



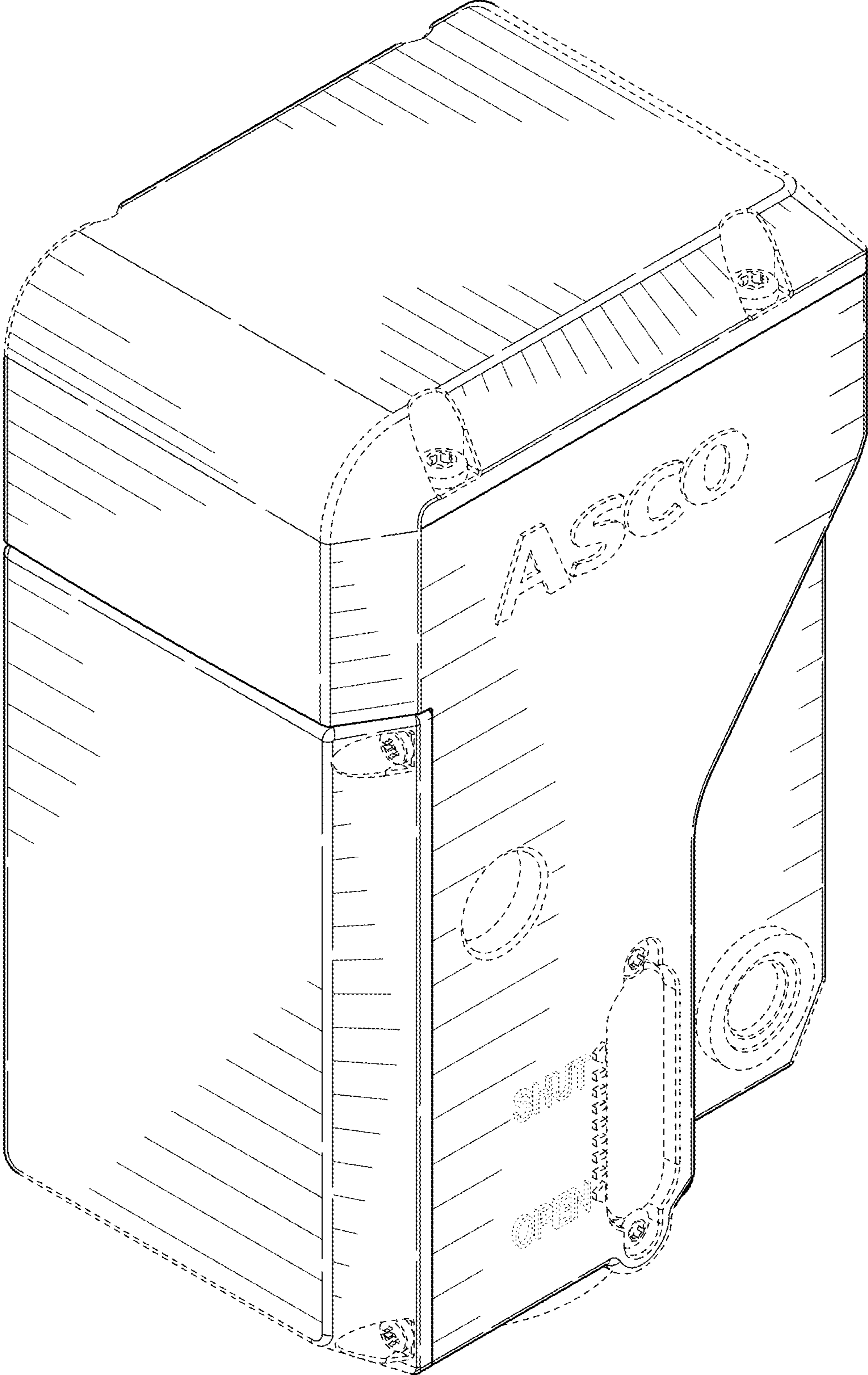


FIG. 1

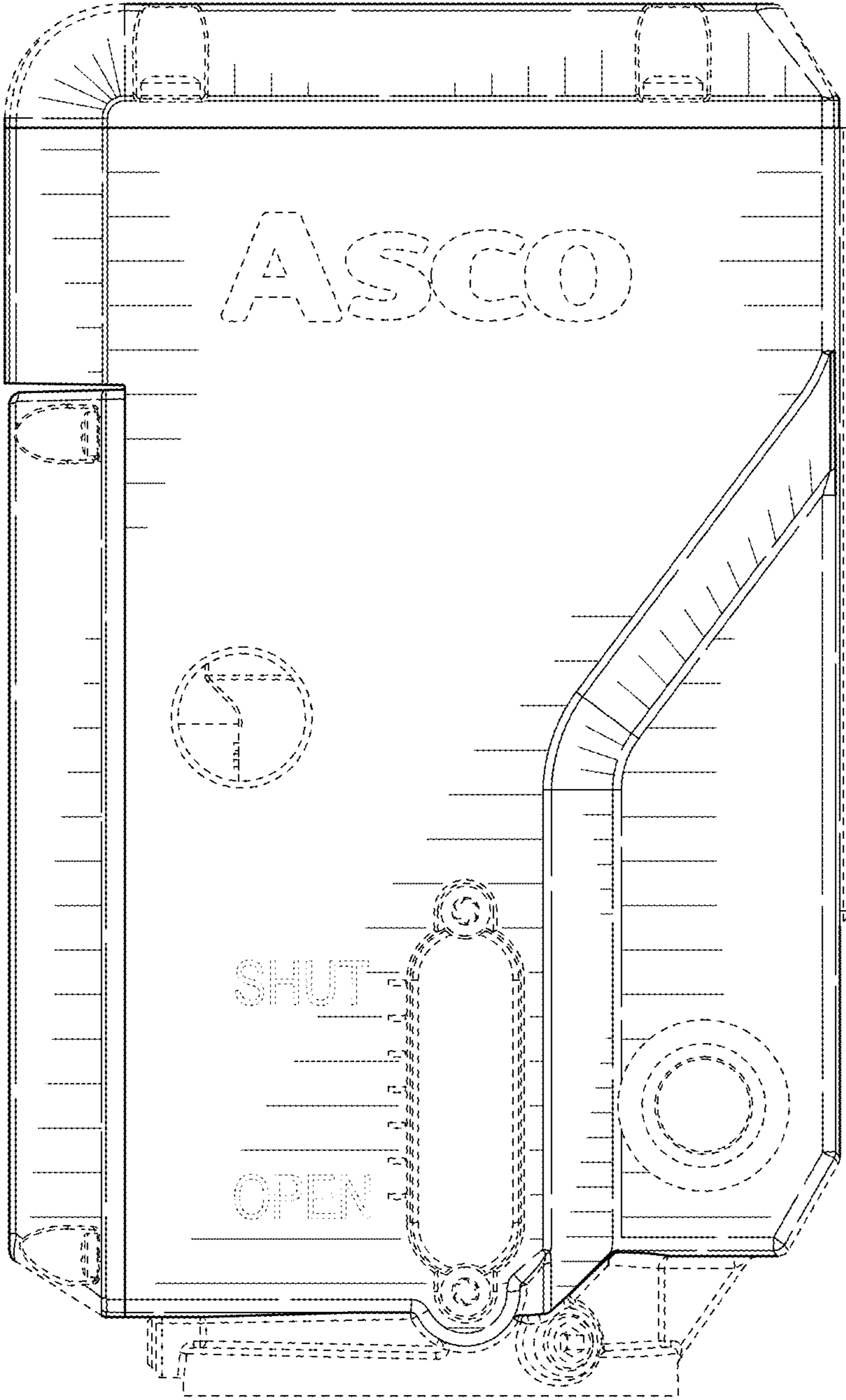


FIG. 2

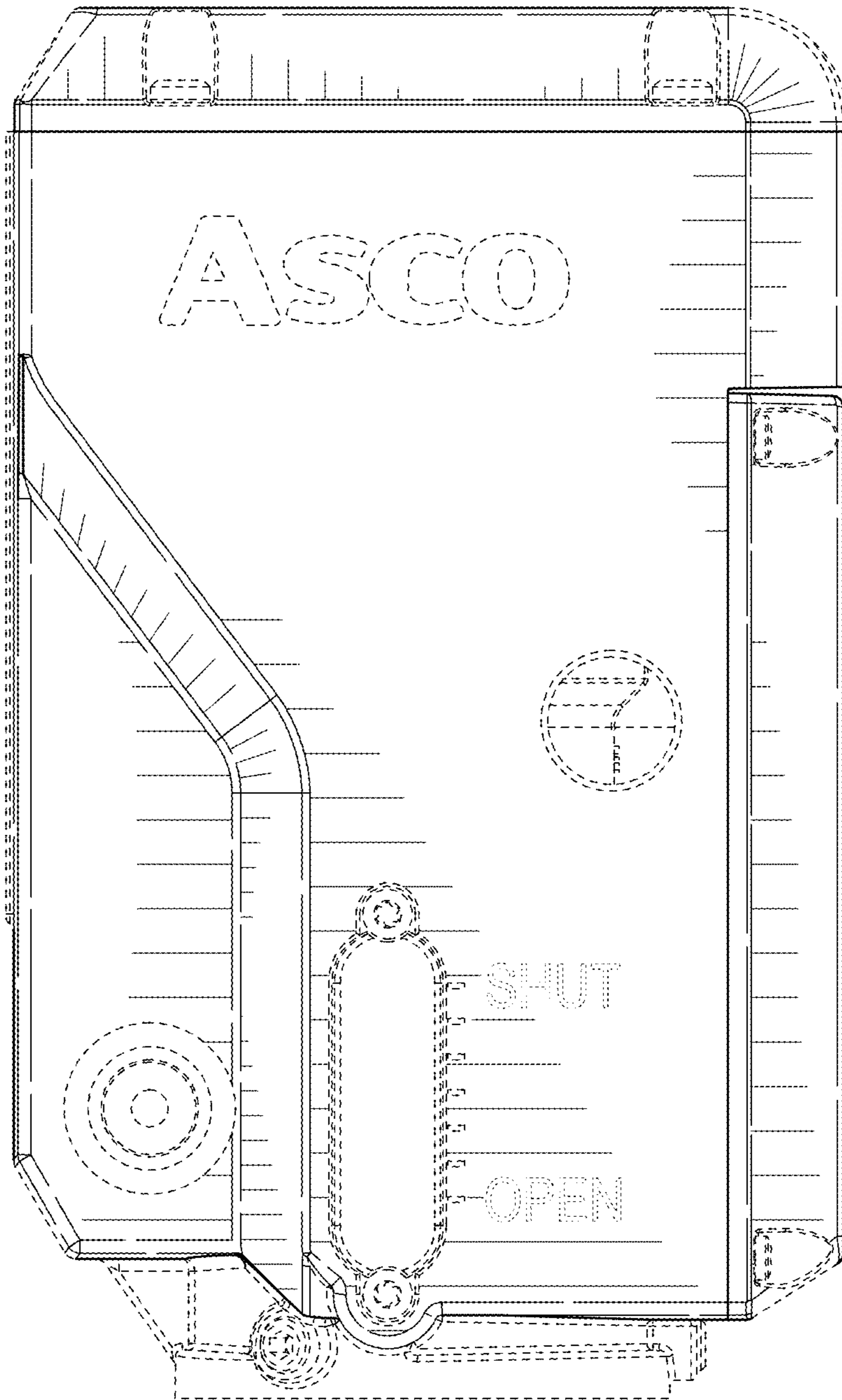


FIG. 3

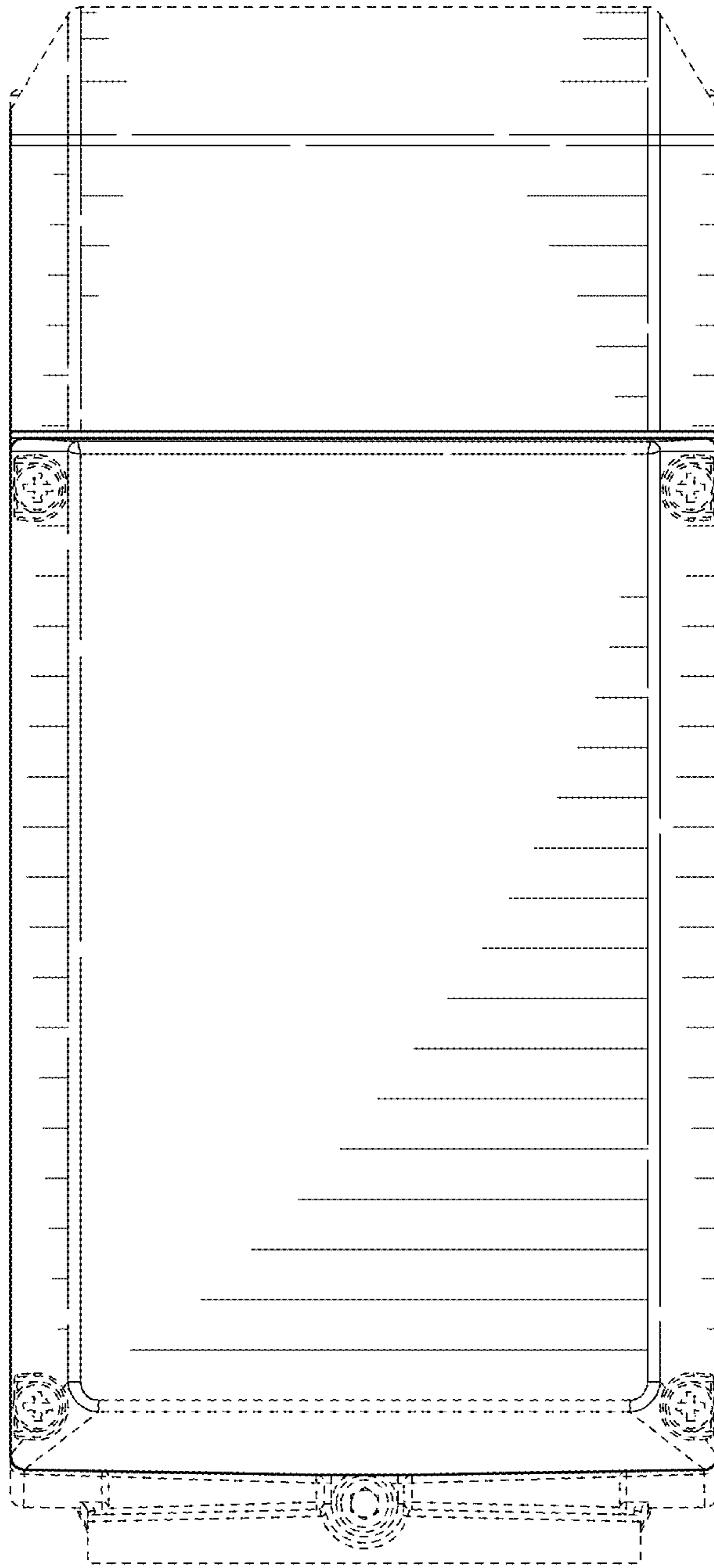


FIG. 4

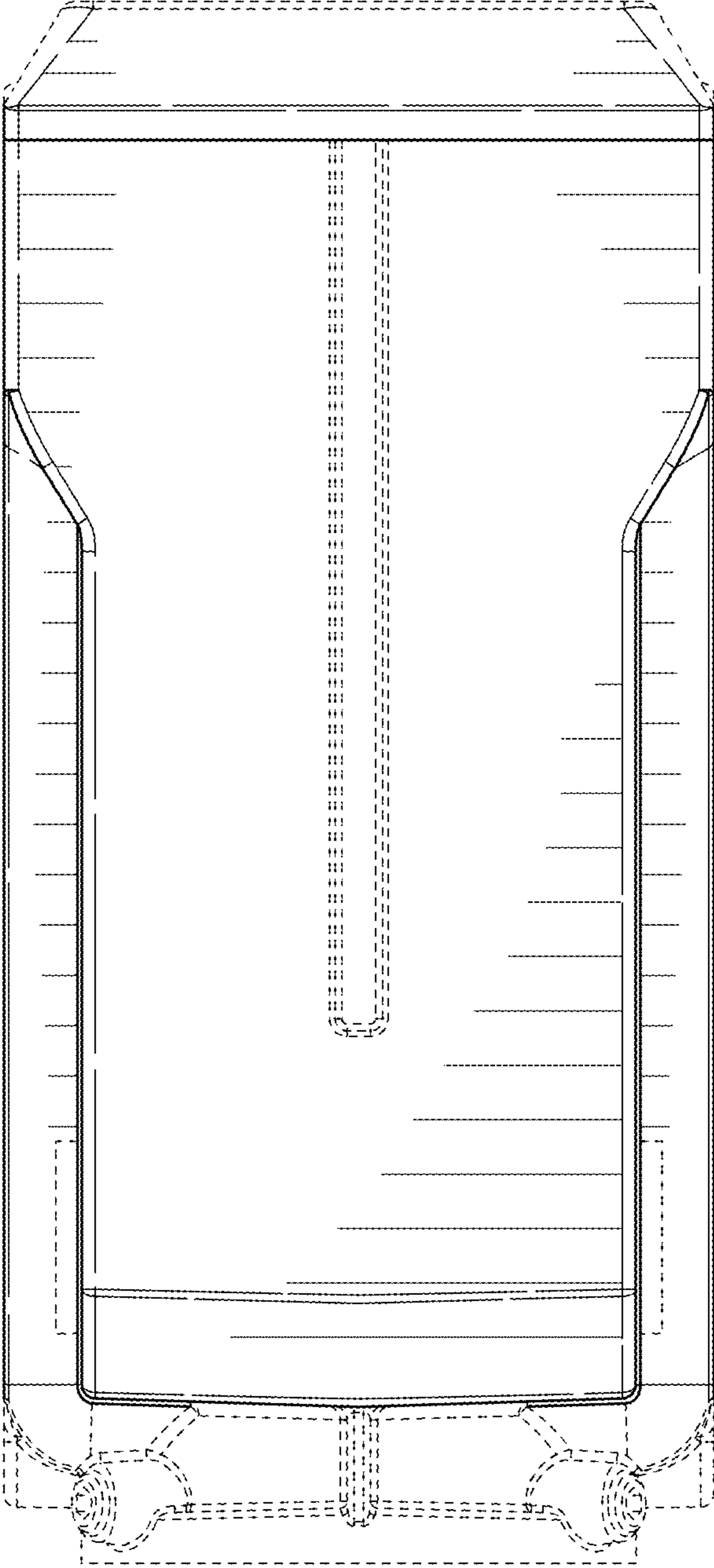


FIG. 5

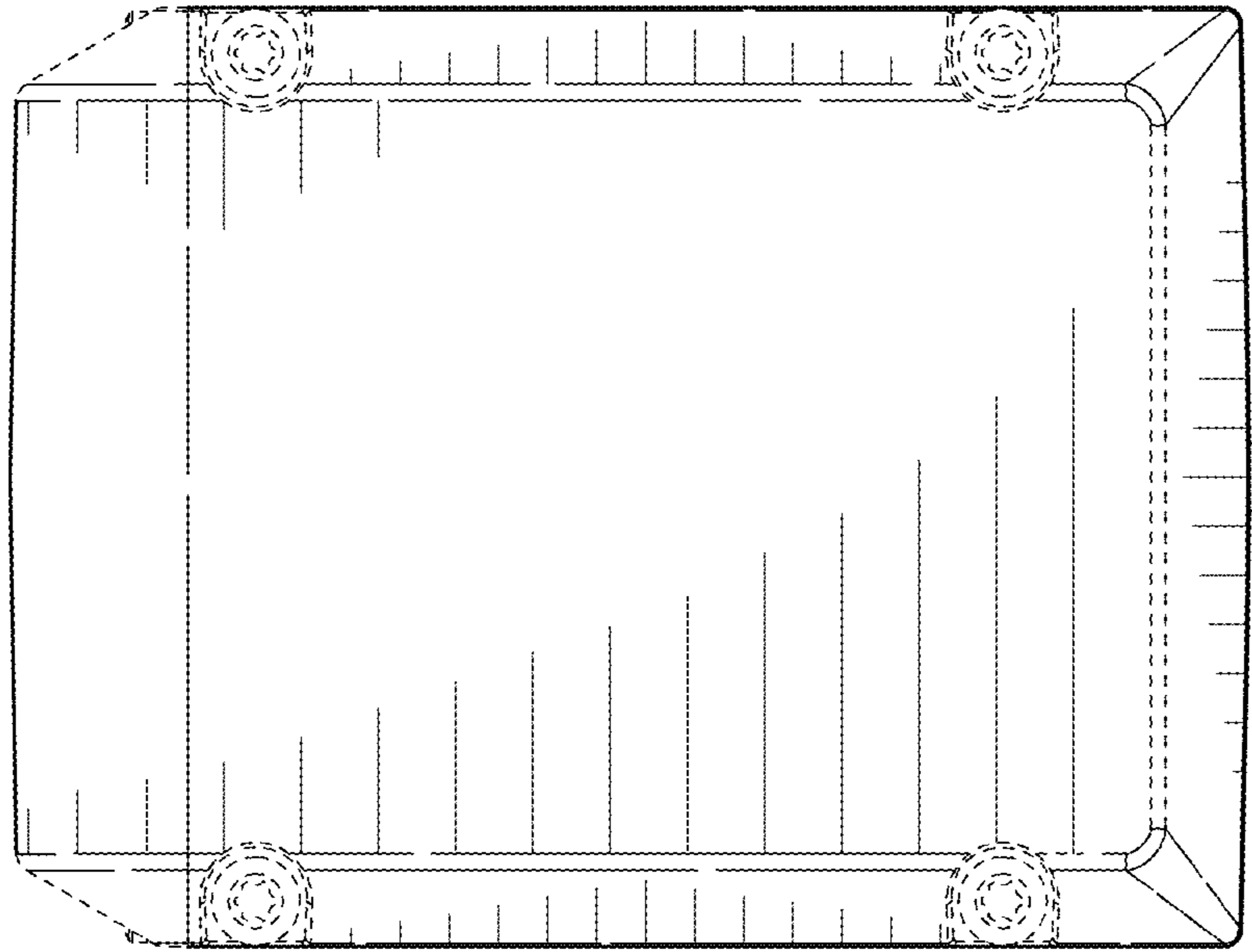


FIG. 6

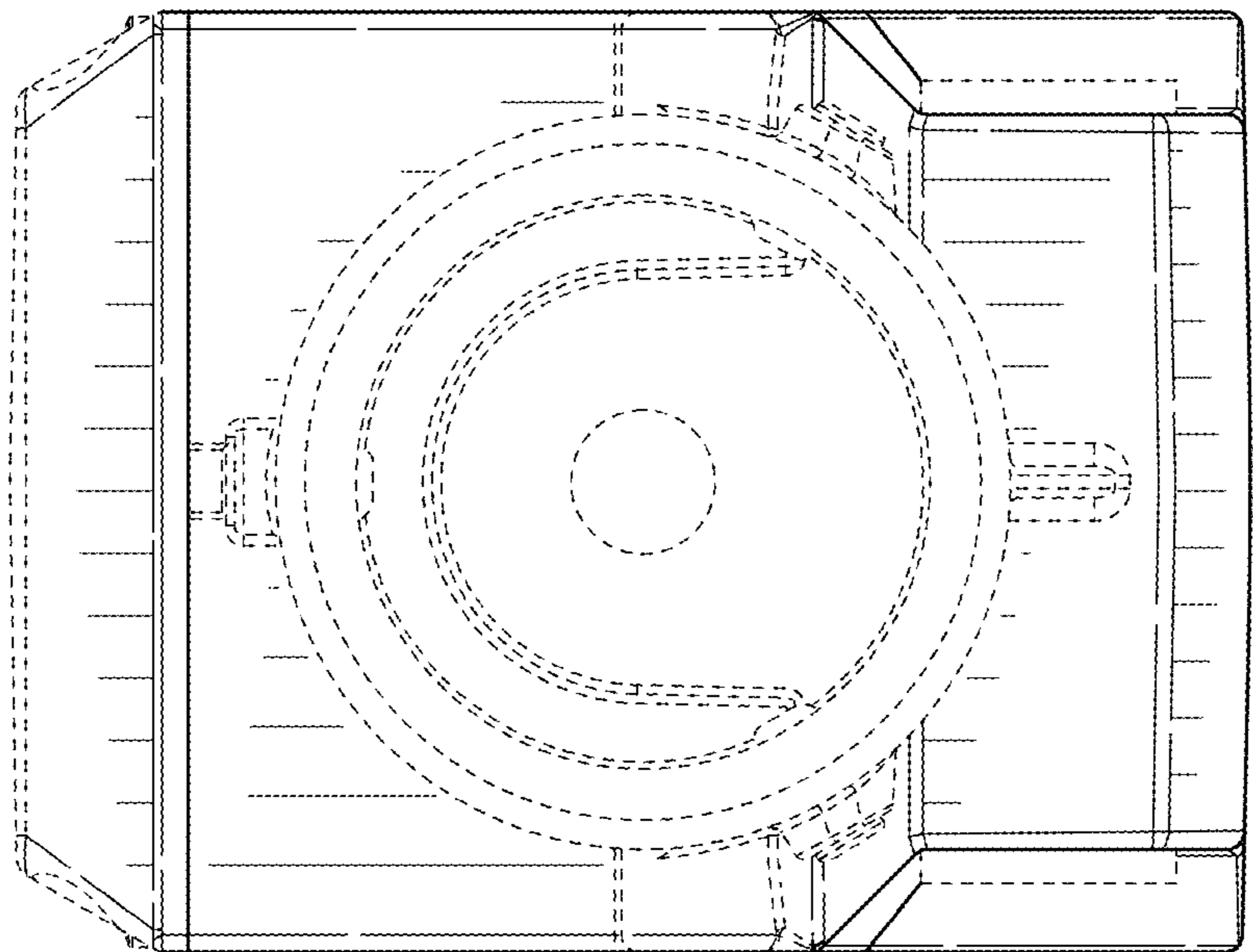


FIG. 7