



US00D894339S

(12) **United States Design Patent** (10) **Patent No.:** **US D894,339 S**  
**Ohkoshi et al.** (45) **Date of Patent:** **\*\* Aug. 25, 2020**

(54) **SPRINKLER HEAD** 5,727,737 A \* 3/1998 Bosio ..... A62C 31/02  
169/37  
(71) Applicant: **SENJU SPRINKLER CO., LTD.**, 6,336,509 B1 \* 1/2002 Polan ..... A62C 37/11  
Tokyo (JP) 169/37  
6,868,917 B2 \* 3/2005 Meyer ..... A62C 37/11  
(72) Inventors: **Hisayoshi Ohkoshi**, Tokyo (JP); 7,137,455 B2 \* 11/2006 Green ..... A62C 31/02  
**Yoshiki Sasaki**, Tokyo (JP); **Yuta** 169/37  
**Watanabe**, Tokyo (JP) (Continued)

(73) Assignee: **SENJU SPRINKLER CO., LTD.**,  
Adachi-ku, Tokyo (JP)

(\*\*) Term: **15 Years**

(21) Appl. No.: **29/664,509**

(22) Filed: **Sep. 26, 2018**

(30) **Foreign Application Priority Data**

Mar. 27, 2018 (JP) ..... 2018-006521

(51) **LOC (12) Cl.** ..... **23-01**

(52) **U.S. Cl.**  
USPC ..... **D23/214**

(58) **Field of Classification Search**  
USPC ..... D23/213, 214, 215, 223, 224, 226, 229,  
D23/230

CPC ..... A61H 9/0021; A61H 33/00; B05B 1/00;  
B05B 1/14; B05B 1/185; B05B 1/08;  
B05B 1/02; B05B 1/26; B05B 12/002;  
B05B 1/18; B05B 9/01; F16L 37/46;  
F16L 37/00; F17C 13/12; F17C  
2205/0376

See application file for complete search history.

(56) **References Cited**

**U.S. PATENT DOCUMENTS**

4,296,816 A 10/1981 Fischer  
4,901,799 A \* 2/1990 Pepi ..... A62C 37/12  
169/39  
D348,719 S \* 7/1994 Dolan ..... D23/214  
5,722,599 A 3/1998 Fries

**FOREIGN PATENT DOCUMENTS**

CN 303102692 S 2/2015  
JP 1249004 8/2005

(Continued)

**OTHER PUBLICATIONS**

<https://www.senjupr sprinkler.com/product/fr-q r-5-6k-hsw-552553-copy/> (Year: 2019).\*

(Continued)

*Primary Examiner* — Manpreet S Matharu  
*Assistant Examiner* — Keith J Wilson  
(74) *Attorney, Agent, or Firm* — Buchanan, Ingersoll & Rooney PC

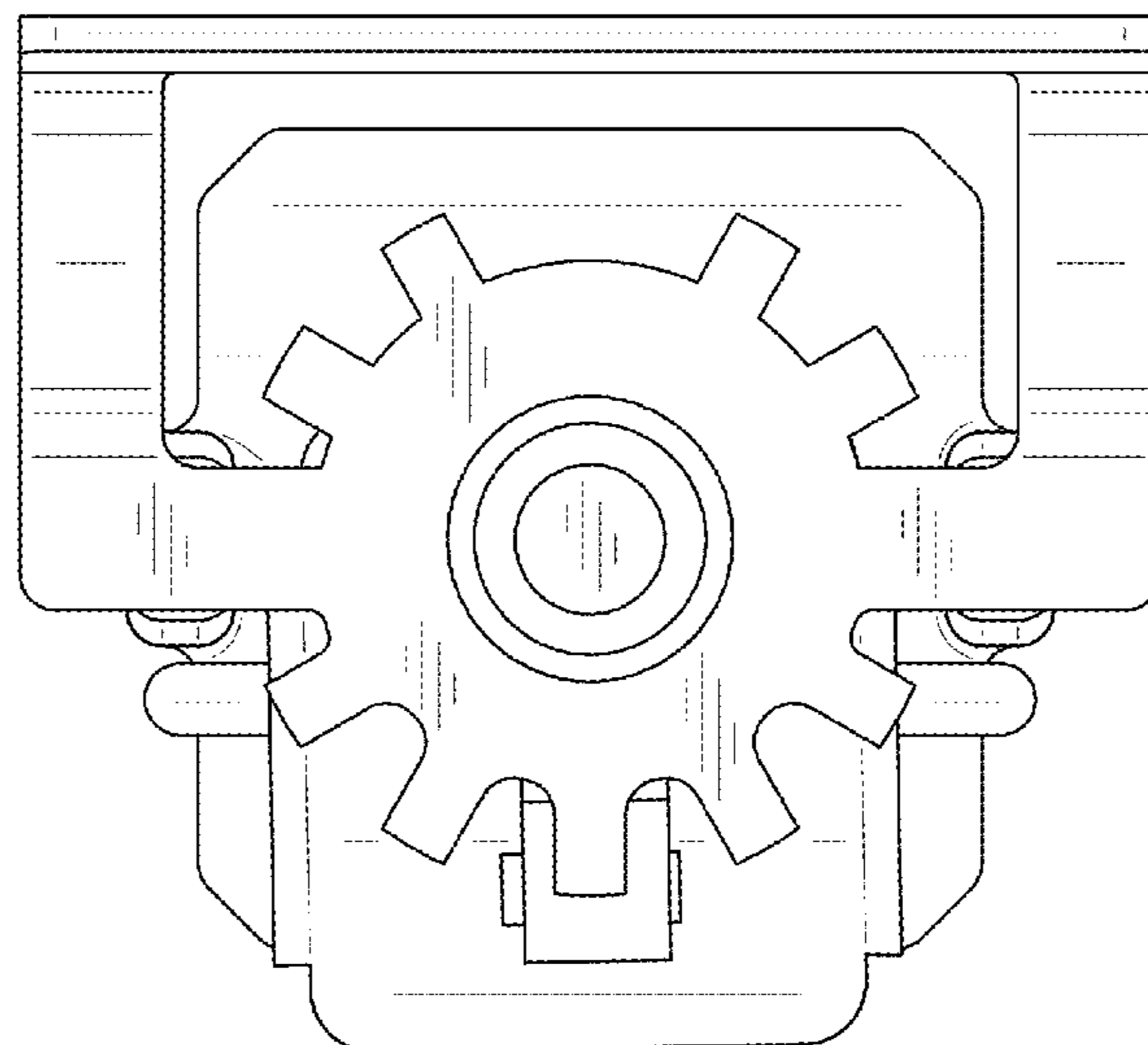
(57) **CLAIM**

The ornamental design for a sprinkler head, as shown and described.

**DESCRIPTION**

FIG. 1 is a front elevational view of a sprinkler head showing our new design;  
FIG. 2 is a rear elevational view thereof;  
FIG. 3 is a right side view thereof;  
FIG. 4 is a left side view thereof;  
FIG. 5 is a top plan view thereof;  
FIG. 6 is a bottom plan view thereof; and,  
FIG. 7 is a perspective view thereof showing a front, bottom and left side.

**1 Claim, 7 Drawing Sheets**



(56)

References Cited

U.S. PATENT DOCUMENTS

D544,569 S \* 6/2007 Franson ..... D23/214  
 D546,415 S \* 7/2007 Franson ..... D23/214  
 D546,416 S \* 7/2007 Franson ..... D23/214  
 D546,417 S \* 7/2007 Franson ..... D23/214  
 D550,808 S \* 9/2007 Franson ..... D23/213  
 D551,320 S \* 9/2007 Franson ..... D23/214  
 7,353,882 B2 \* 4/2008 Pahila ..... A62C 37/14  
 169/16  
 D603,479 S \* 11/2009 Koiwa ..... D23/214  
 7,614,457 B2 11/2009 Green  
 D612,450 S \* 3/2010 Feenstra ..... D23/214  
 D617,415 S \* 6/2010 Feenstra ..... D23/214  
 7,784,555 B2 8/2010 Pahila  
 7,819,201 B2 \* 10/2010 Pounder ..... A62C 37/11  
 169/16  
 D638,913 S \* 5/2011 Koiwa ..... D23/214  
 8,122,969 B1 \* 2/2012 Fischer ..... A62C 31/02  
 169/16  
 8,151,897 B1 4/2012 Meyer et al.  
 D667,079 S \* 9/2012 Polan ..... D23/214

8,387,711 B2 \* 3/2013 Cordell ..... A62C 35/68  
 169/16  
 D699,321 S \* 2/2014 Karihara ..... D23/214  
 8,887,821 B2 11/2014 Cordell et al.  
 D724,696 S \* 3/2015 Barmoav ..... D23/214  
 D726,871 S \* 4/2015 Keynan ..... D23/214  
 D781,399 S \* 3/2017 Koiwa ..... D23/214

FOREIGN PATENT DOCUMENTS

TW D128323 S 4/2009  
 TW D160588 S 5/2014

OTHER PUBLICATIONS

Office Action (Notice) dated Oct. 1, 2018, by the Japanese Patent Office in corresponding Japanese Patent Application No. 2018-006521. (2 pages).

Office Action (Notice of Allowance) dated Dec. 28, 2018, by the Taiwanese Patent Office in corresponding Taiwanese Patent Application No. 10721233580. (3 pages).

\* cited by examiner

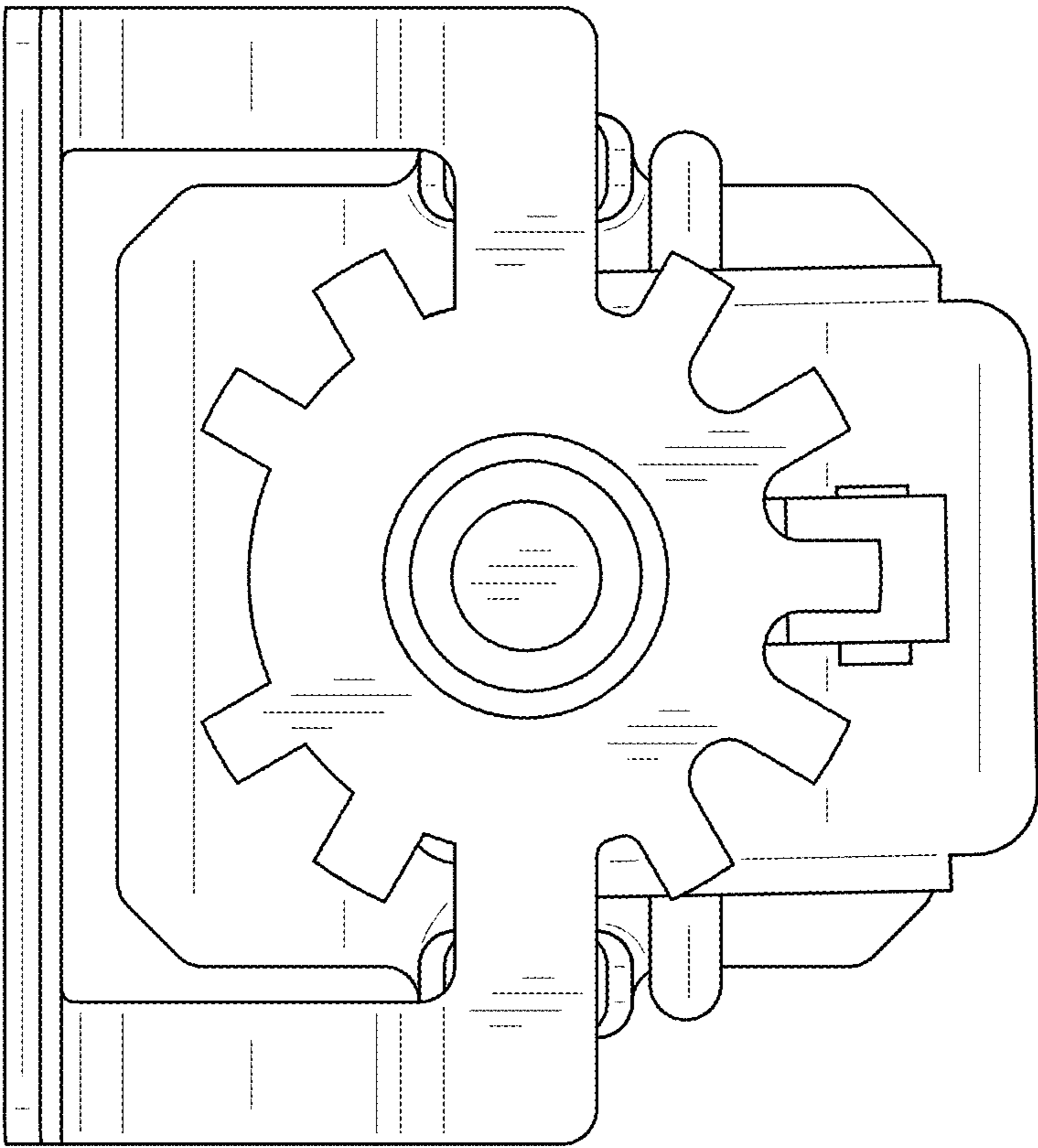


FIG. 1

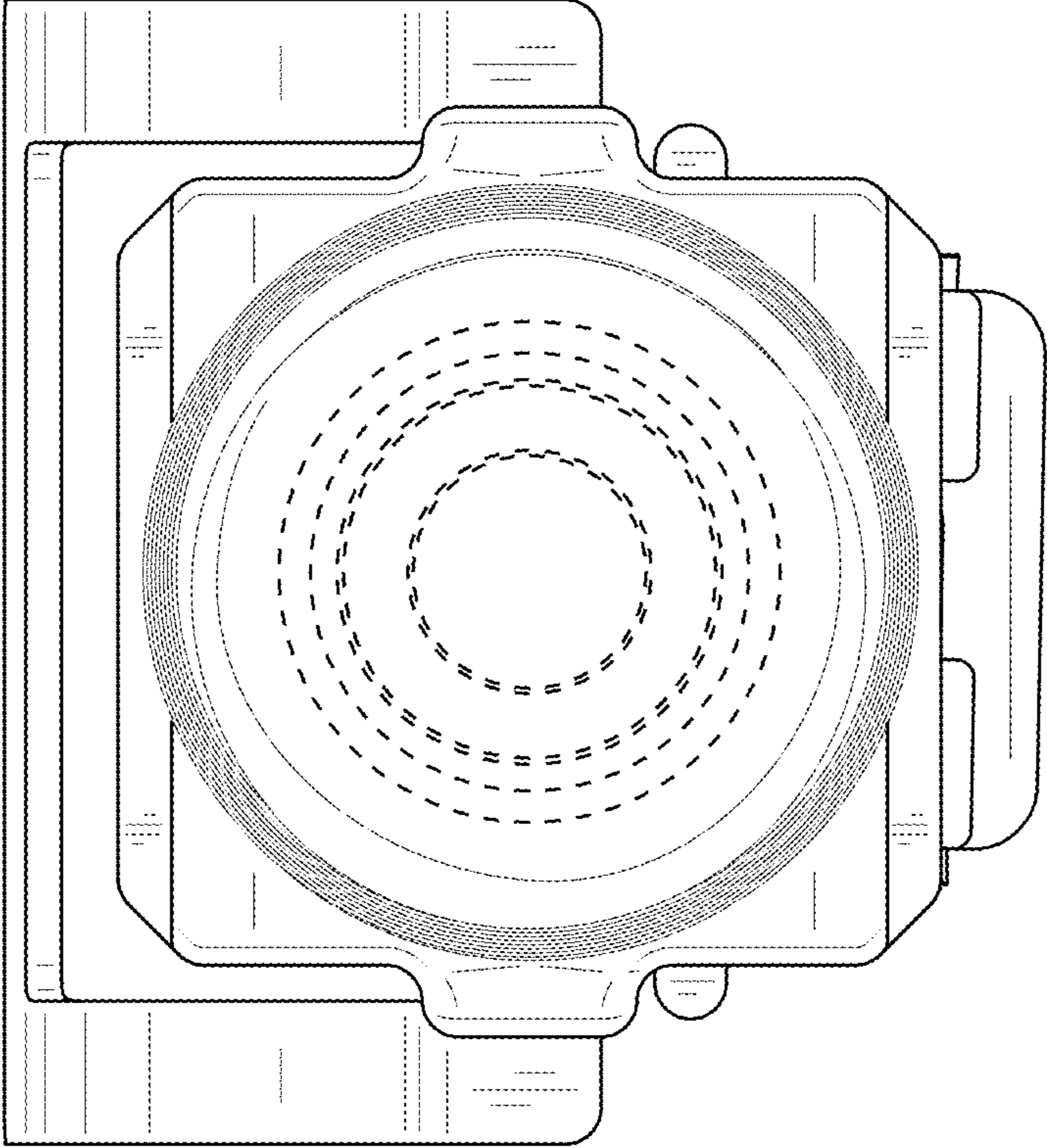


FIG. 2

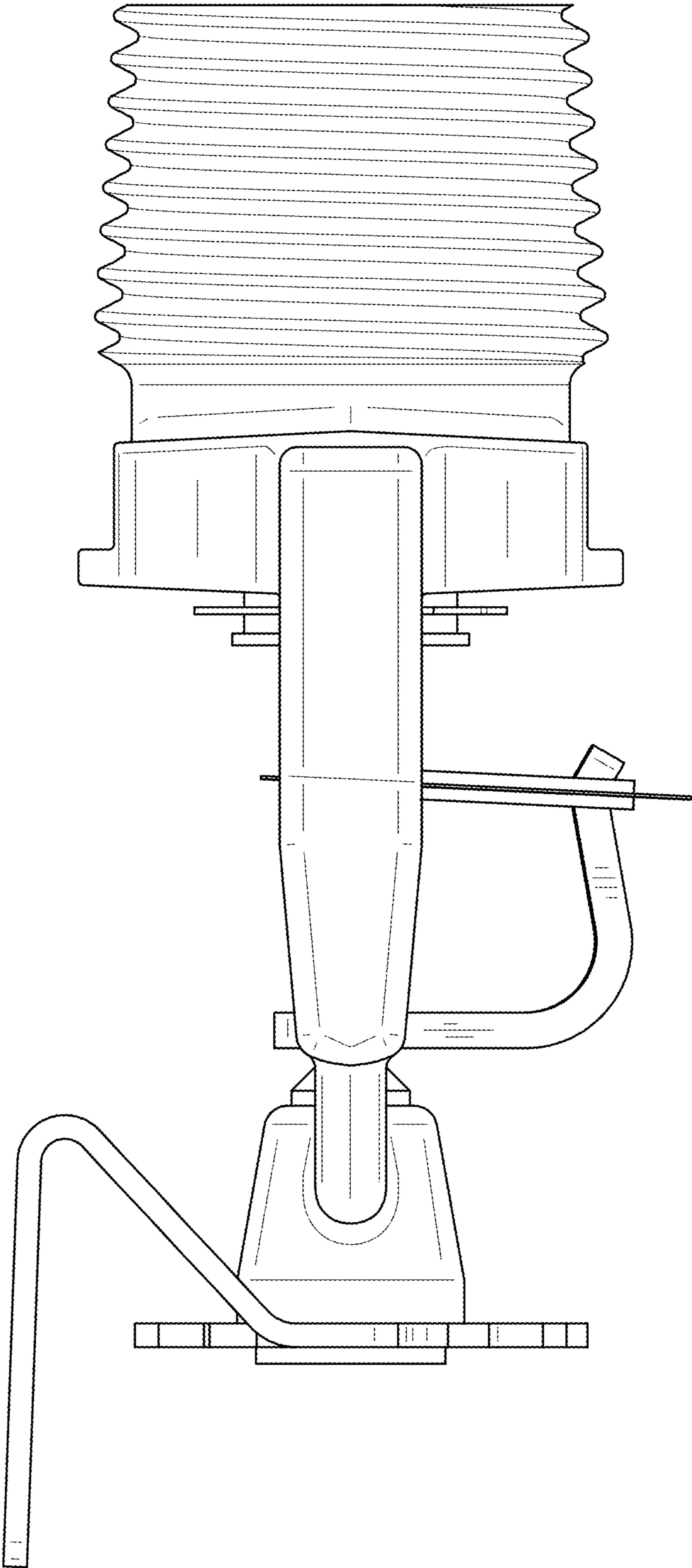


FIG. 3

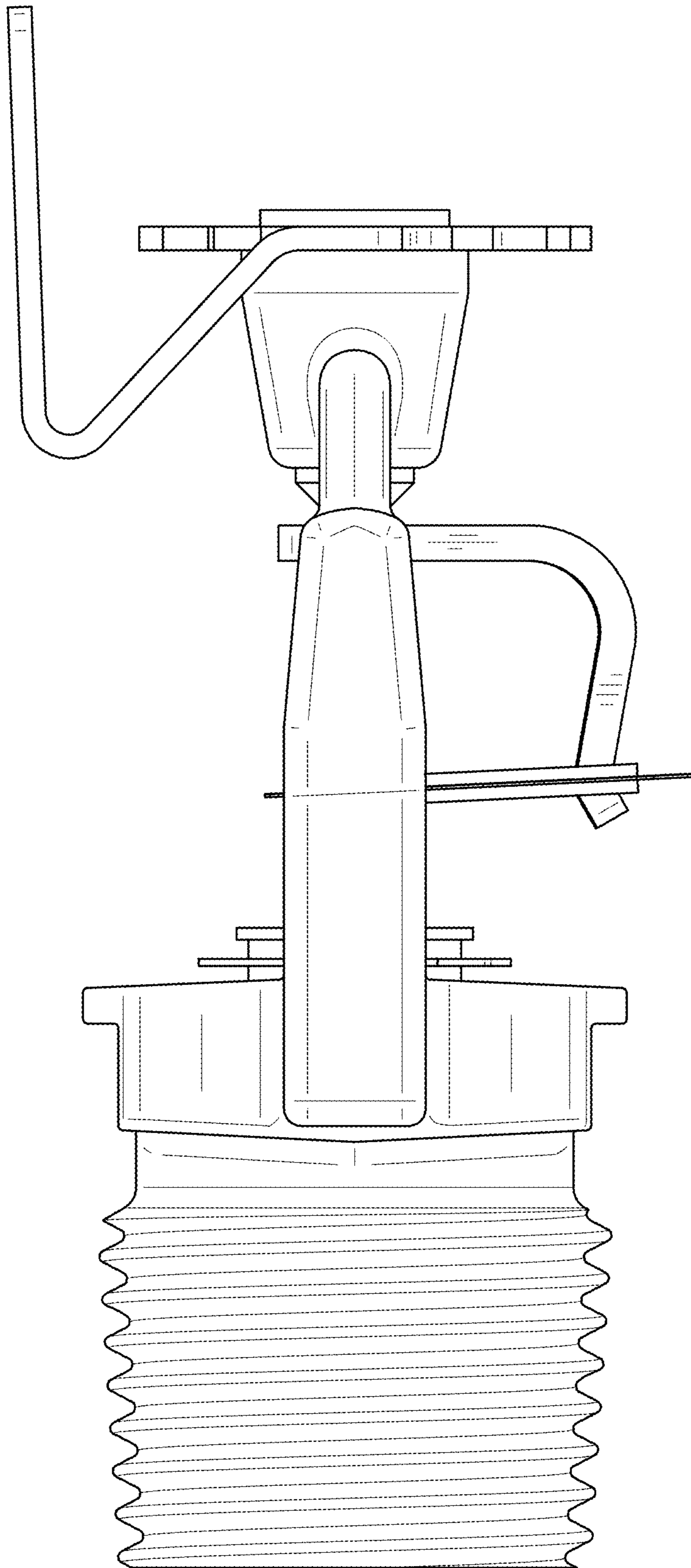


FIG. 4

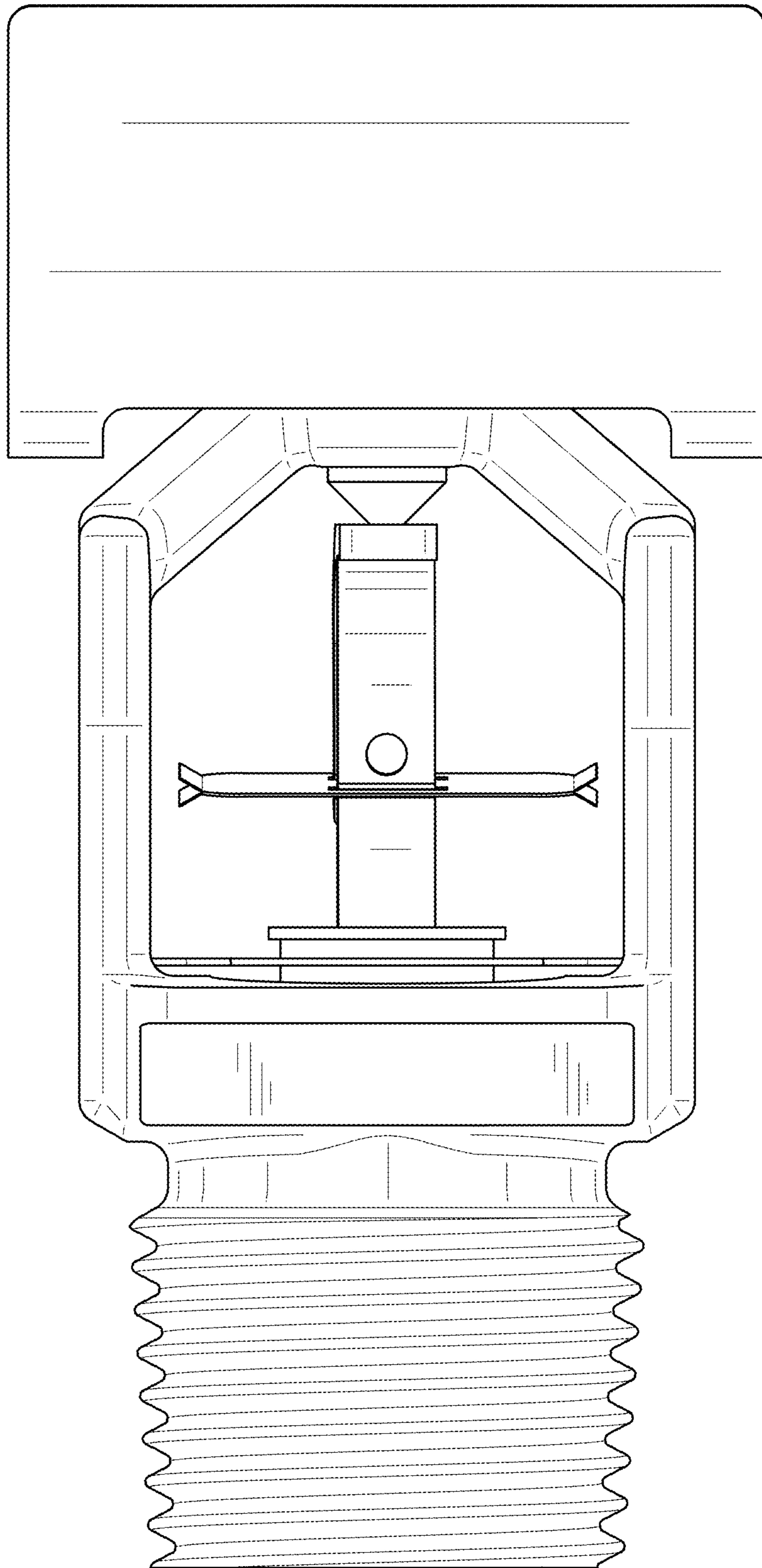


FIG. 5

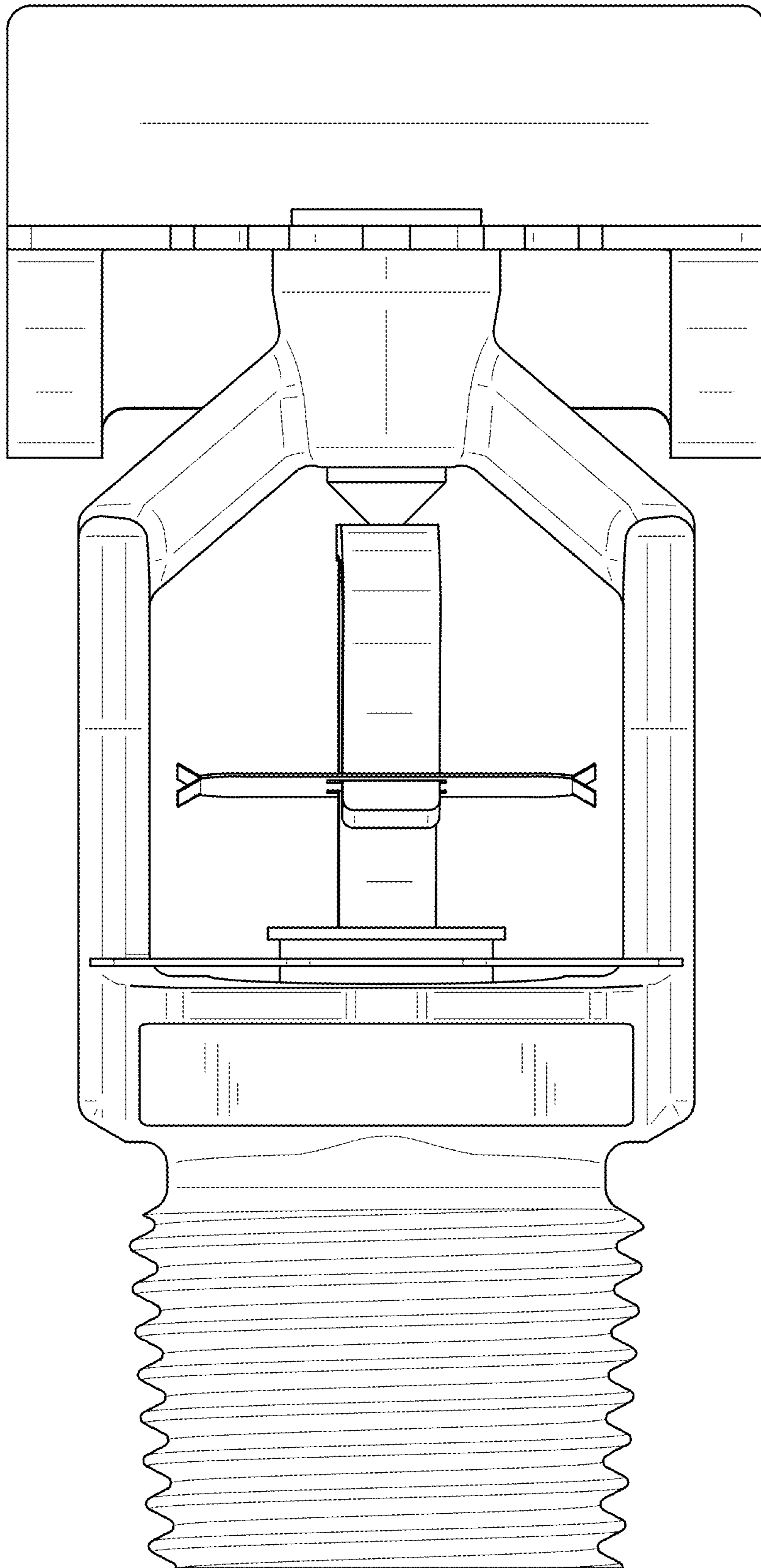


FIG. 6



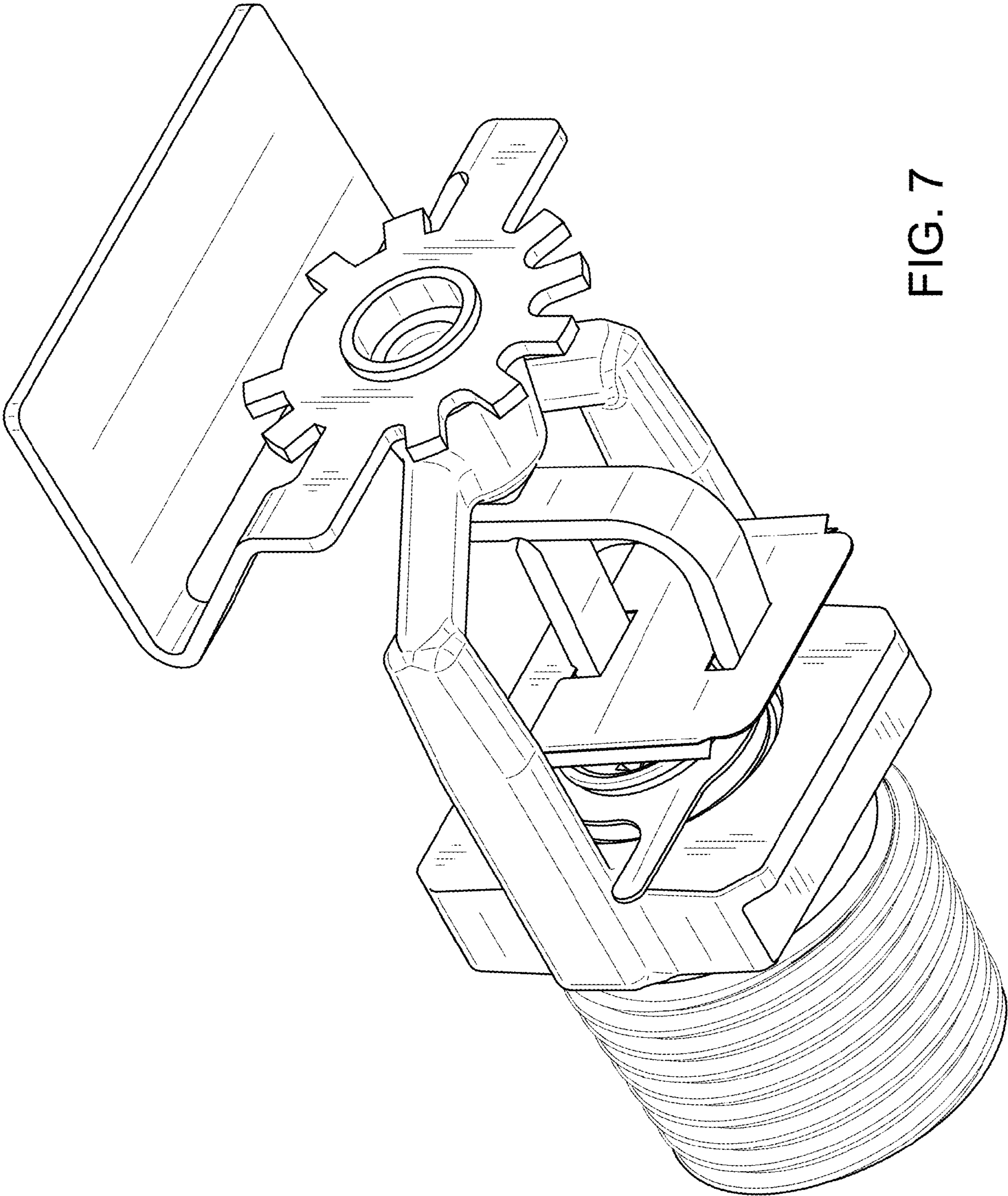


FIG. 7