



US00D894337S

(12) **United States Design Patent**  
**Huaping**

(10) **Patent No.:** **US D894,337 S**

(45) **Date of Patent:** **\*\* Aug. 25, 2020**

- (54) **WATER FILTER CARTRIDGE**
- (71) Applicant: **Ningbo Pureza Technology, LLC,**  
Ningbo (CN)
- (72) Inventor: **Wu Huaping,** Zhejiang (CN)
- (73) Assignee: **Ningbo Pureza Technology, LLC (CN)**
- (\*\*) Term: **15 Years**
- (21) Appl. No.: **29/707,434**
- (22) Filed: **Sep. 27, 2019**
- (51) **LOC (12) Cl.** ..... **23-01**
- (52) **U.S. Cl.**  
USPC ..... **D23/209**
- (58) **Field of Classification Search**  
USPC ..... D23/202, 205, 207, 259, 260, 262  
CPC ..... B01D 2201/29; B01D 2201/30; B01D  
2201/301; B01D 2201/302; B01D  
2201/306; B01D 2201/309; B01D 35/30;  
C02F 1/002; C02F 1/003  
See application file for complete search history.

D794,750 S 8/2017 Zou  
 D798,997 S \* 10/2017 Zou ..... B01D 27/08  
 D23/209  
 D807,988 S 1/2018 An et al.  
 (Continued)

**FOREIGN PATENT DOCUMENTS**

KR 300819596 S 10/2015  
*Primary Examiner* — Sheryl Lane  
*Assistant Examiner* — Calvin E Vansant  
 (74) *Attorney, Agent, or Firm* — Fish IP Law, LLP

(57) **CLAIM**

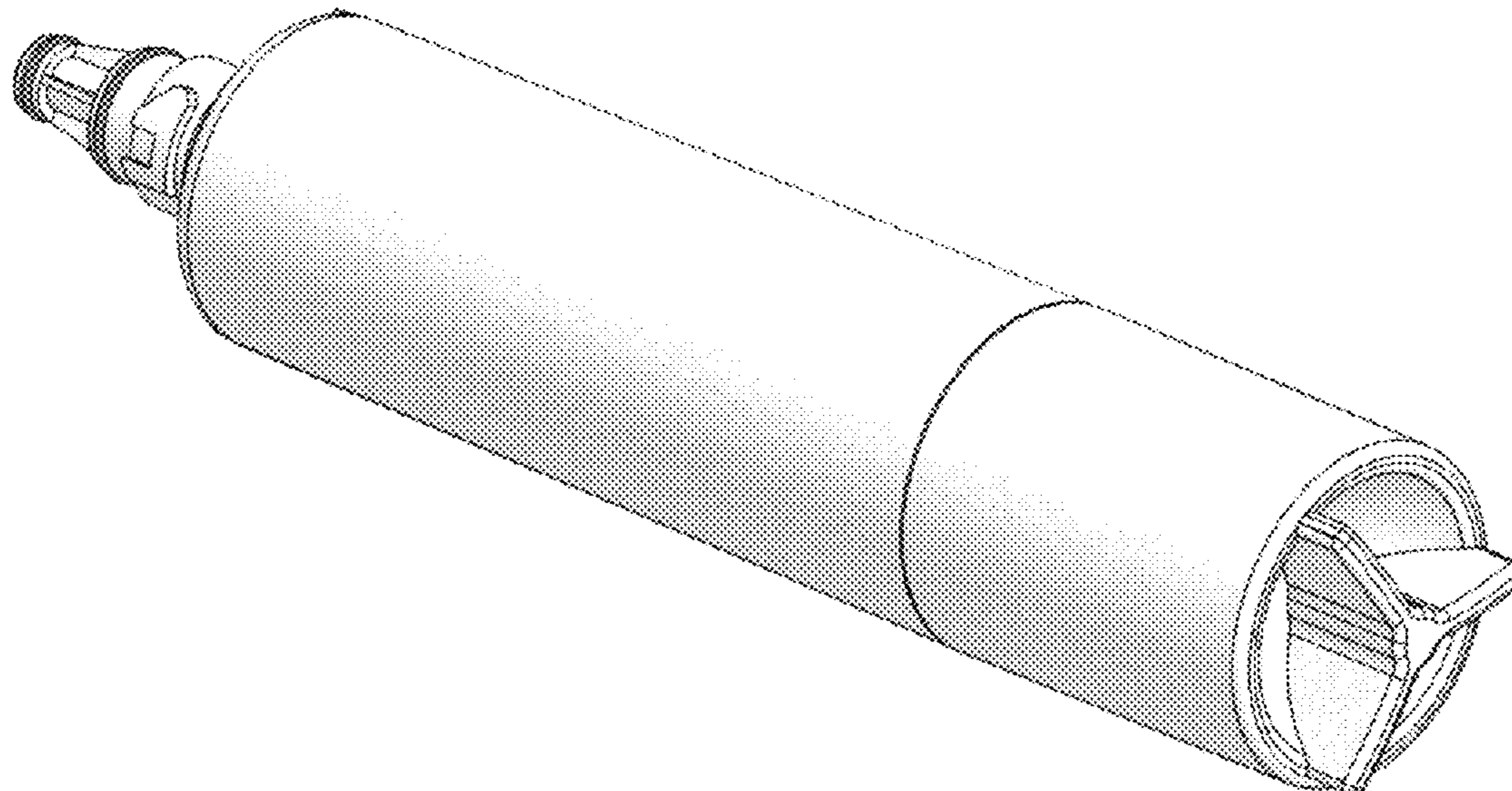
The ornamental design of a water filter cartridge, as shown and described.

**DESCRIPTION**

FIG. 1 is a top, front, right side perspective view of a water filter cartridge showing my new design;  
 FIG. 2 is a front elevation view thereof;  
 FIG. 3 is a back elevation view thereof;  
 FIG. 4 is a right side elevation view thereof;  
 FIG. 5 is a left side elevation view thereof;  
 FIG. 6 is a top, back, left side perspective view thereof;  
 FIG. 7 is a top, back, right side perspective view thereof;  
 FIG. 8 is a top, front, left side perspective view thereof;  
 FIG. 9 is a bottom, back, left side perspective view thereof;  
 FIG. 10 is a bottom, back, right side perspective view thereof;  
 FIG. 11 is a bottom, front, left side perspective view thereof;  
 FIG. 12 is a bottom, front, right side perspective view thereof;  
 FIG. 13 is a bottom perspective view of the left side thereof;  
 and,  
 FIG. 14 is a top perspective view of the left side thereof.  
 The broken line showing of various features of the water filter cartridge form no part of the claimed design.

**1 Claim, 11 Drawing Sheets**

- (56) **References Cited**
- U.S. PATENT DOCUMENTS**
- 7,135,113 B2 \* 11/2006 Bassett ..... B01D 27/08  
210/232
- 7,407,148 B2 \* 8/2008 Bassett ..... B01D 27/08  
210/234
- D750,738 S 3/2016 Baird
- D764,626 S 8/2016 Lu
- D768,813 S 10/2016 Dong et al.
- D768,814 S 10/2016 Dong et al.
- D773,607 S 12/2016 Lu
- D776,237 S 1/2017 Dong et al.
- D780,887 S 3/2017 Huda et al.
- D788,880 S 6/2017 Zou
- D792,943 S 7/2017 Zou
- D794,749 S 8/2017 Zou



(56)

**References Cited**

U.S. PATENT DOCUMENTS

D831,786 S	10/2018	Zou	
D831,788 S	10/2018	Zou	
D845,434 S	4/2019	Zou	
D854,122 S	7/2019	An et al.	
D856,472 S	8/2019	Zou	
D856,474 S *	8/2019	Zou .....	D23/209
D857,157 S	8/2019	Zou	
D857,158 S	8/2019	Zou	
D857,841 S	8/2019	Lu	
D858,694 S	9/2019	Zou	

\* cited by examiner

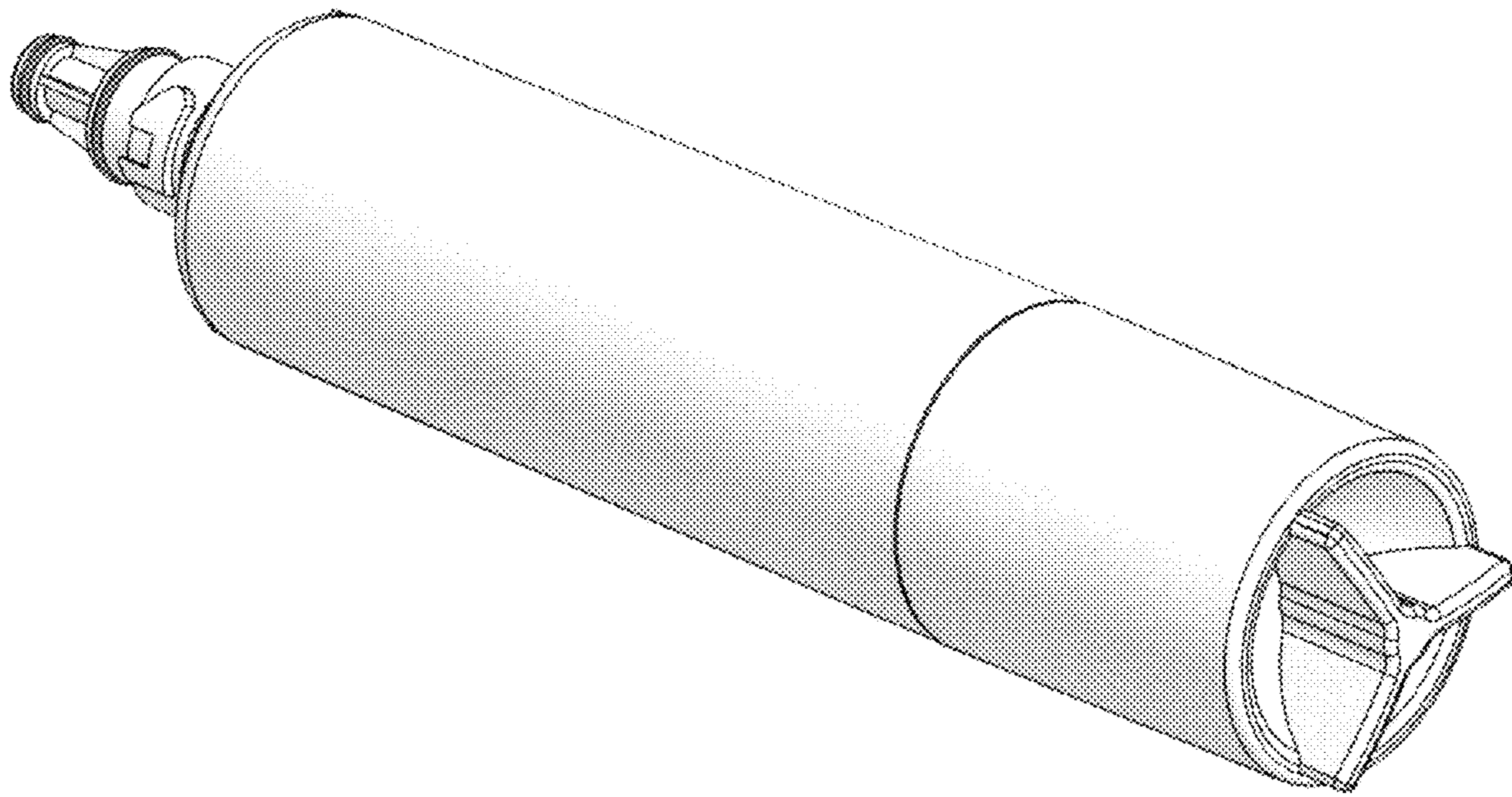


Figure 1



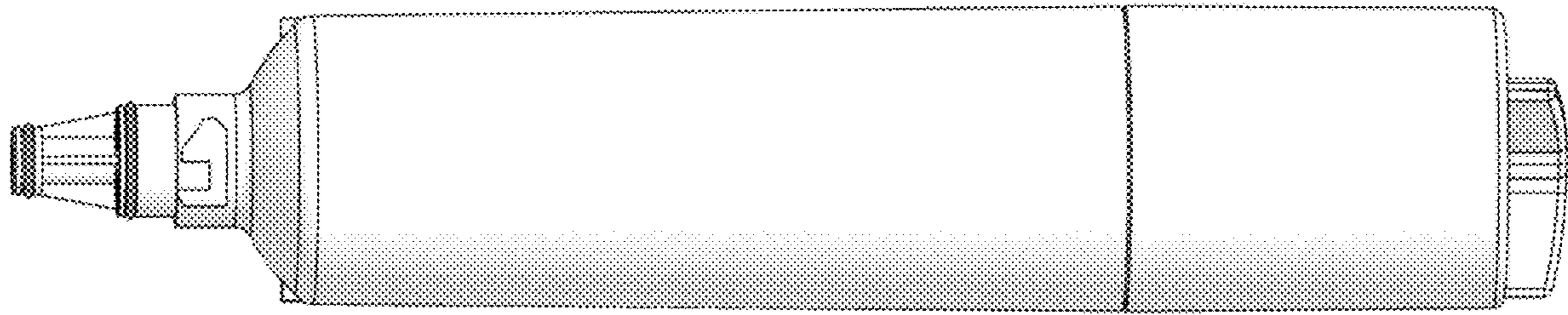


Figure 2

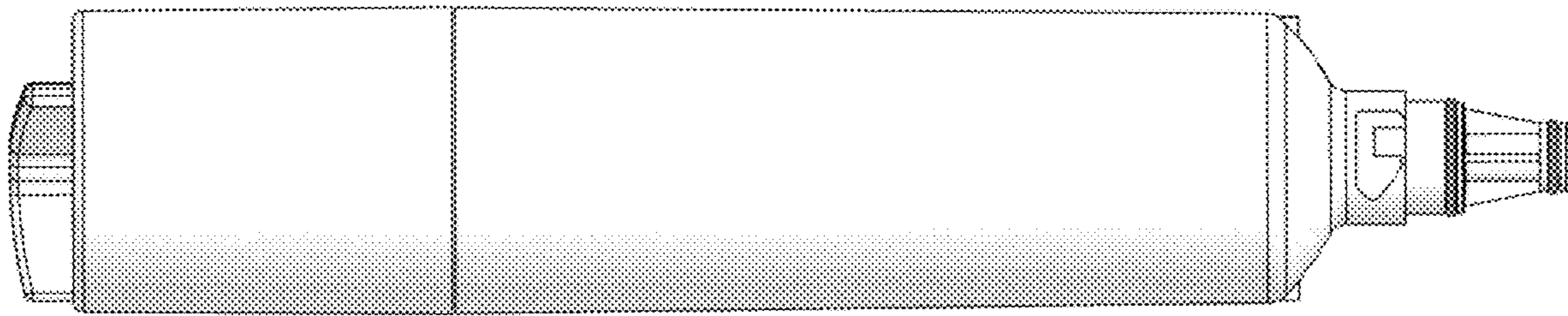


Figure 3

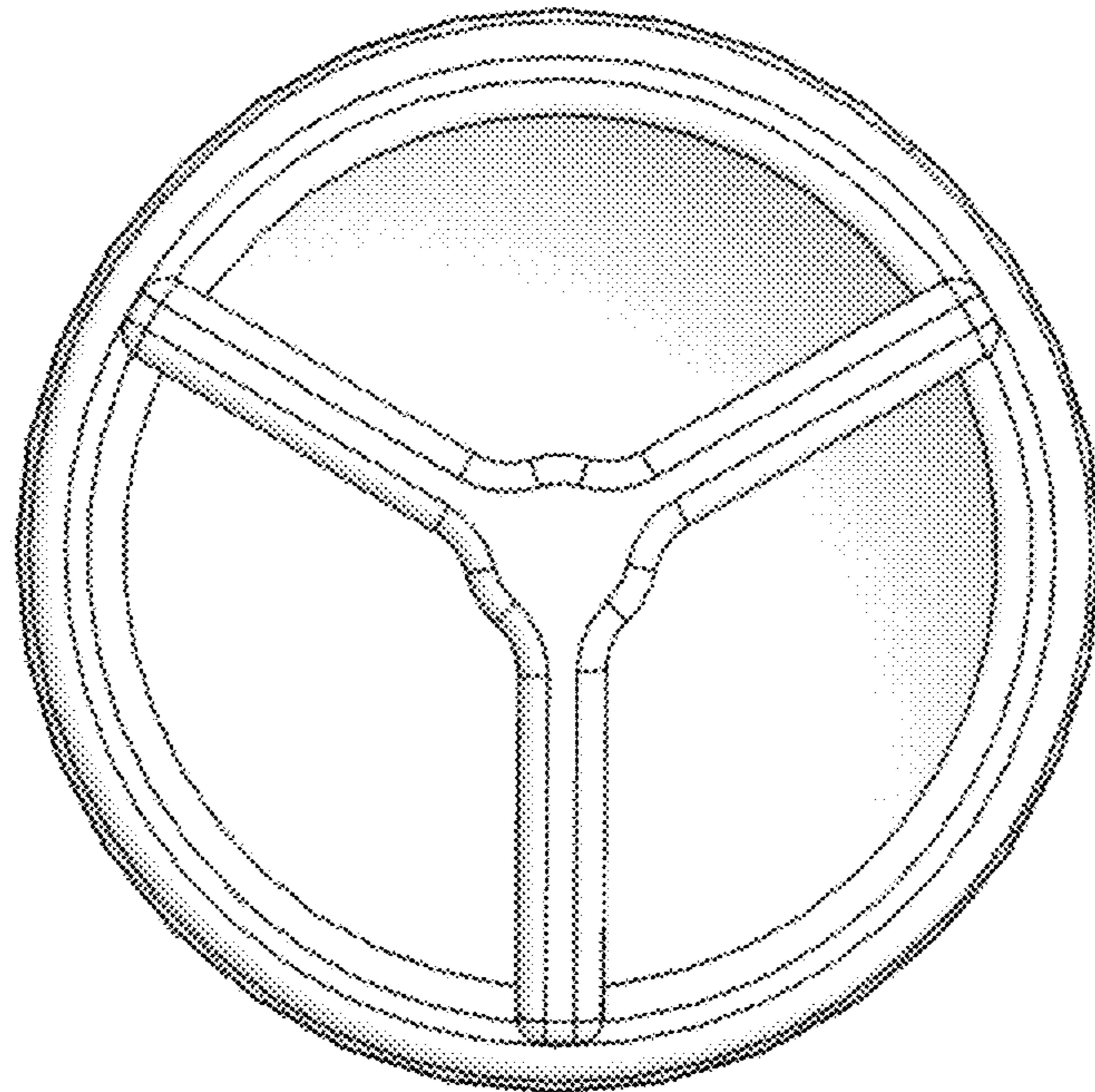


Figure 4

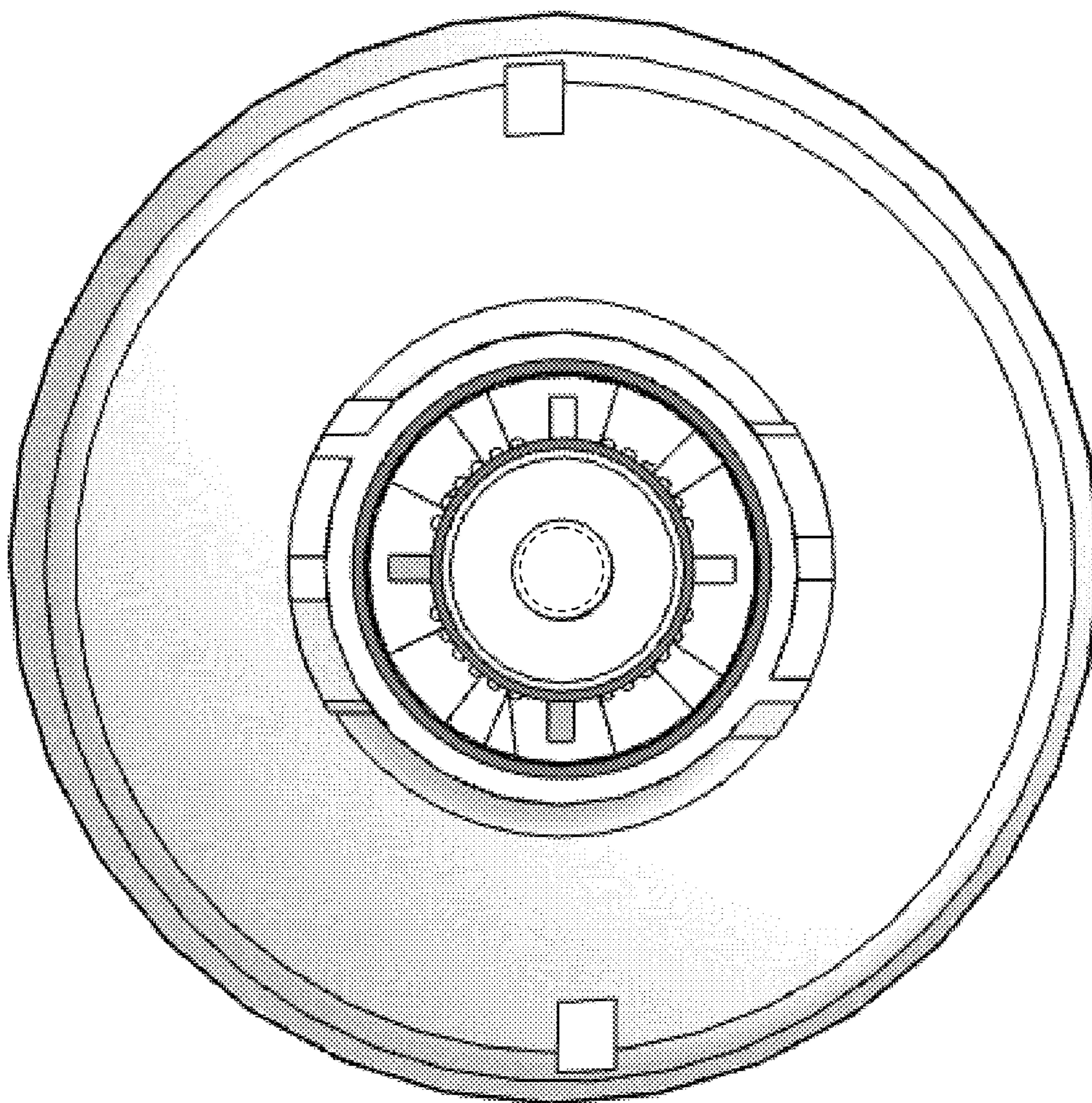


Figure 5



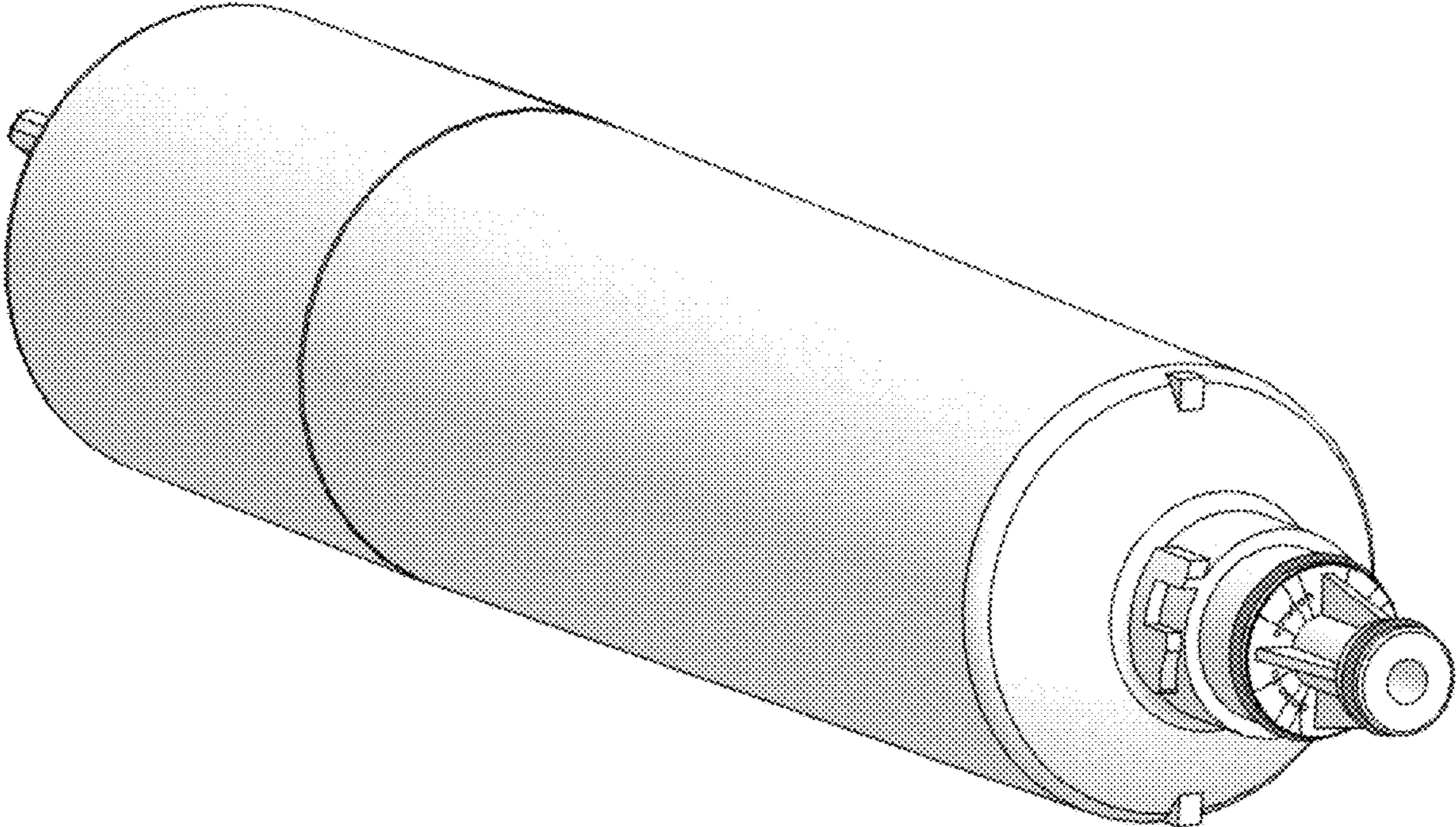


Figure 6

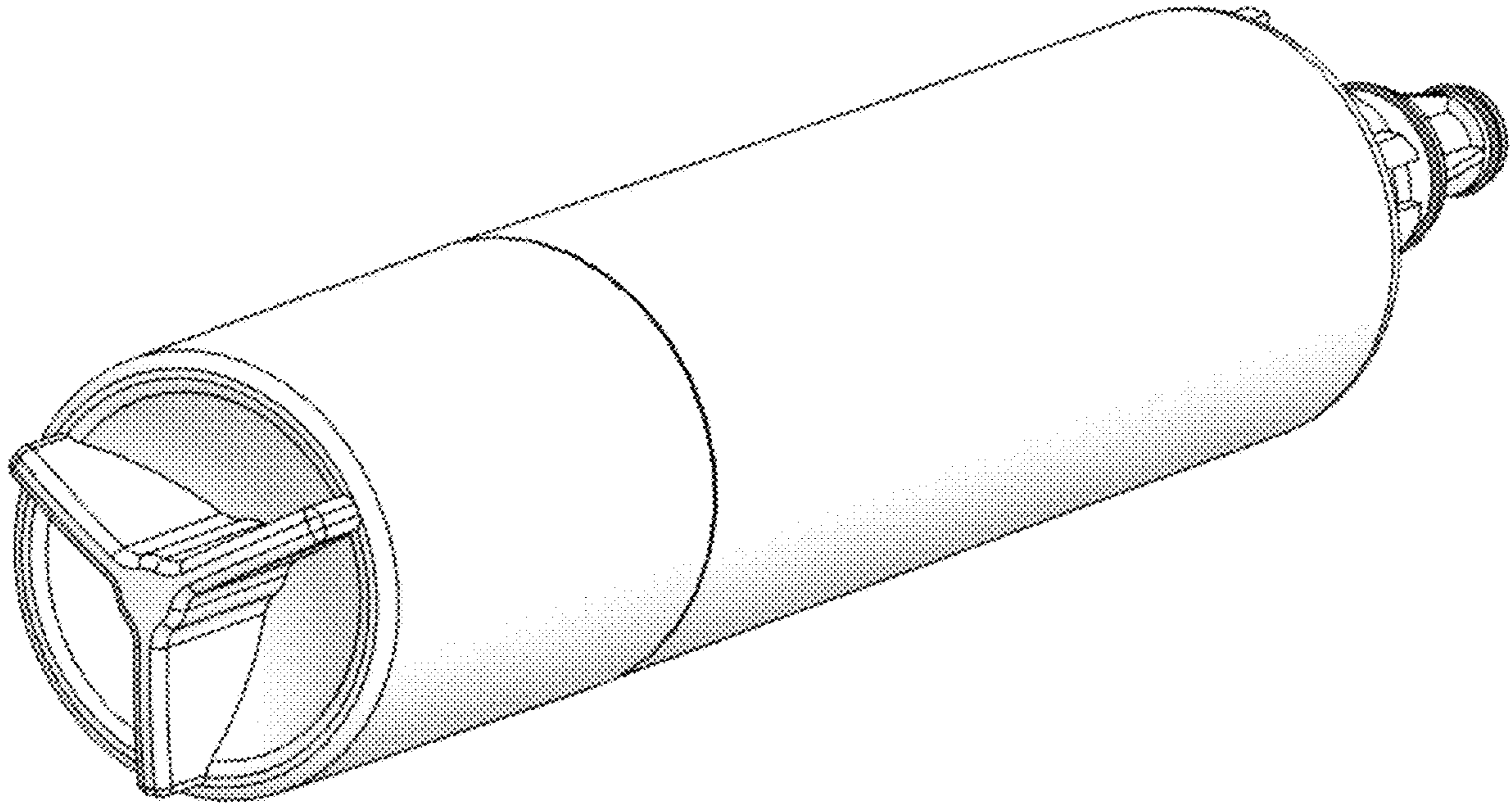


Figure 7

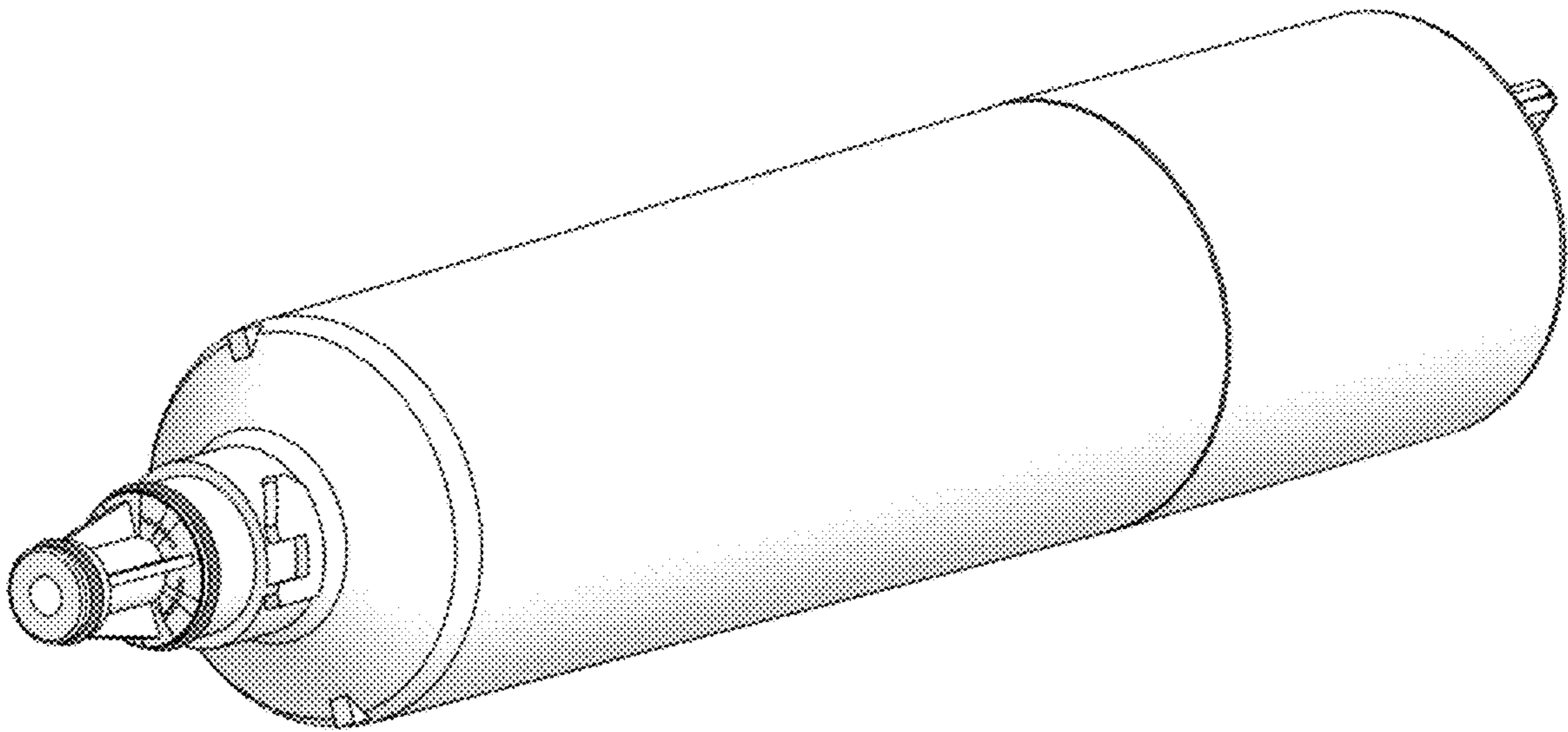


Figure 8

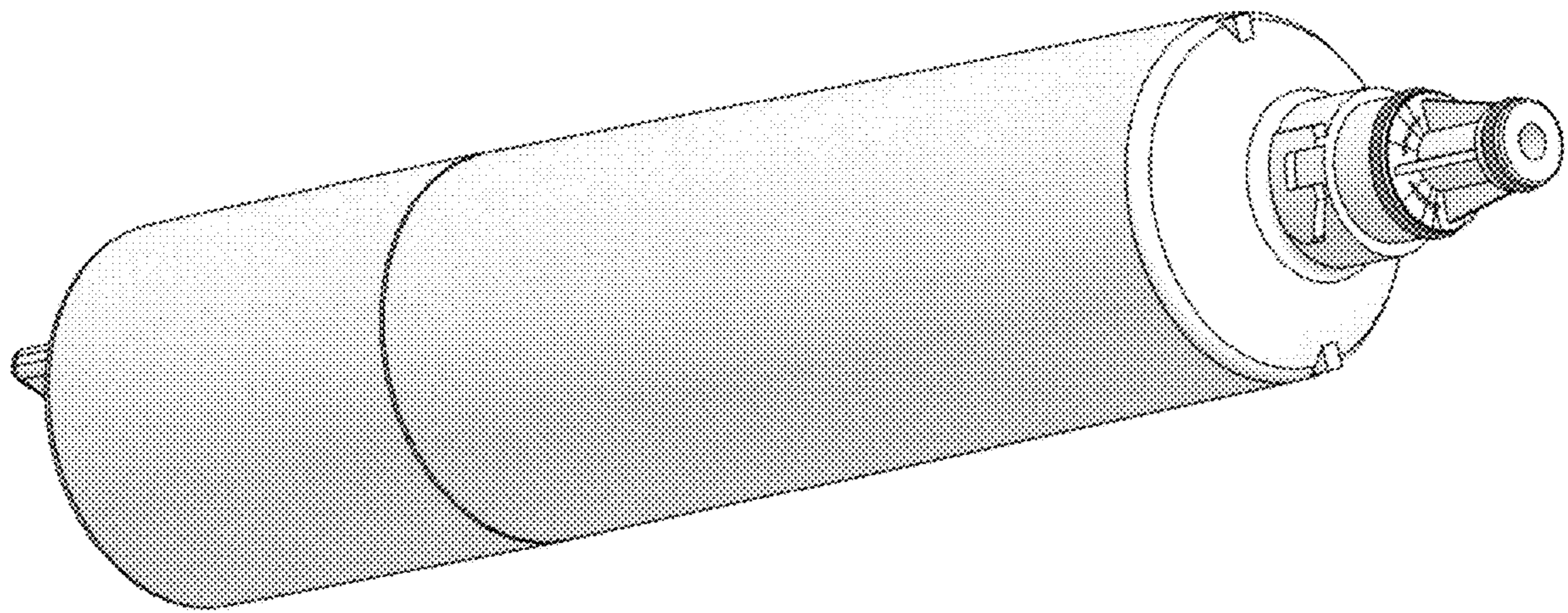


Figure 9



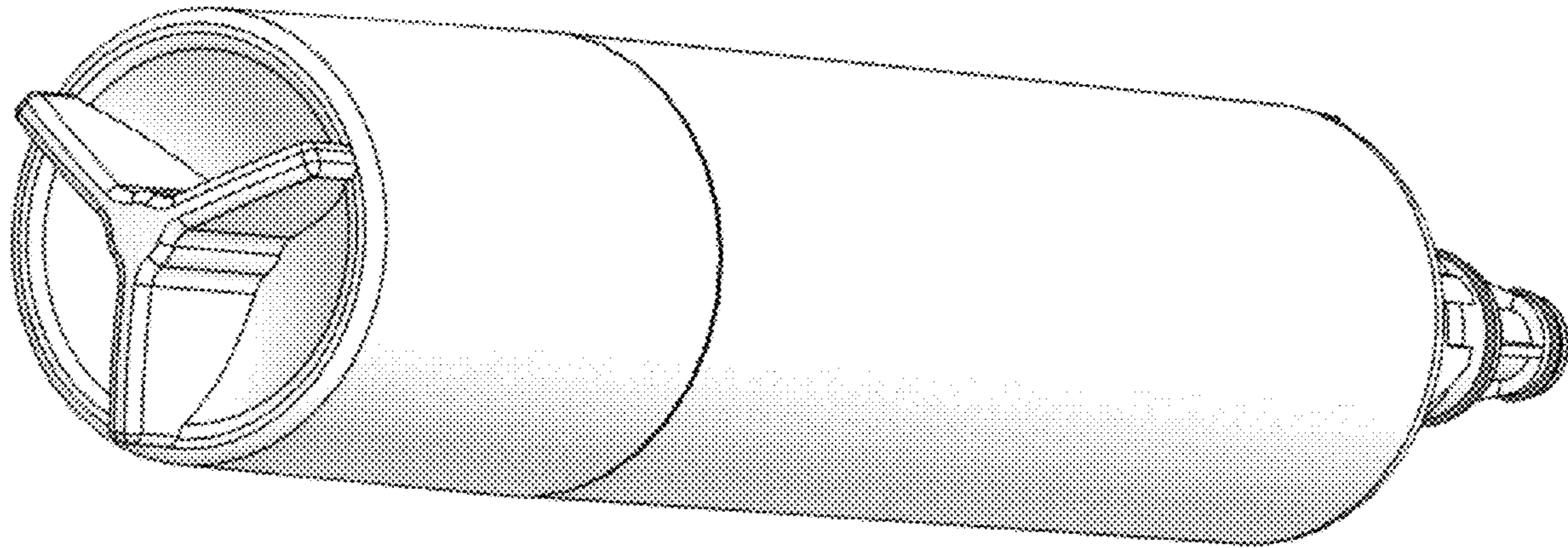


Figure 10

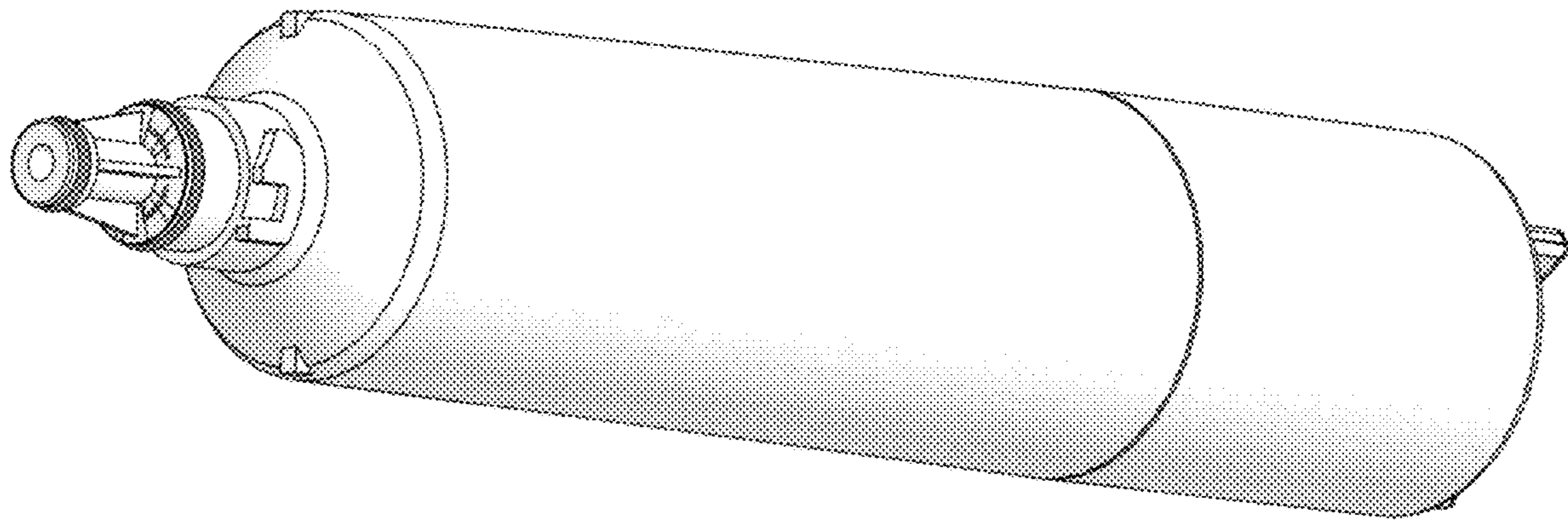


Figure 11

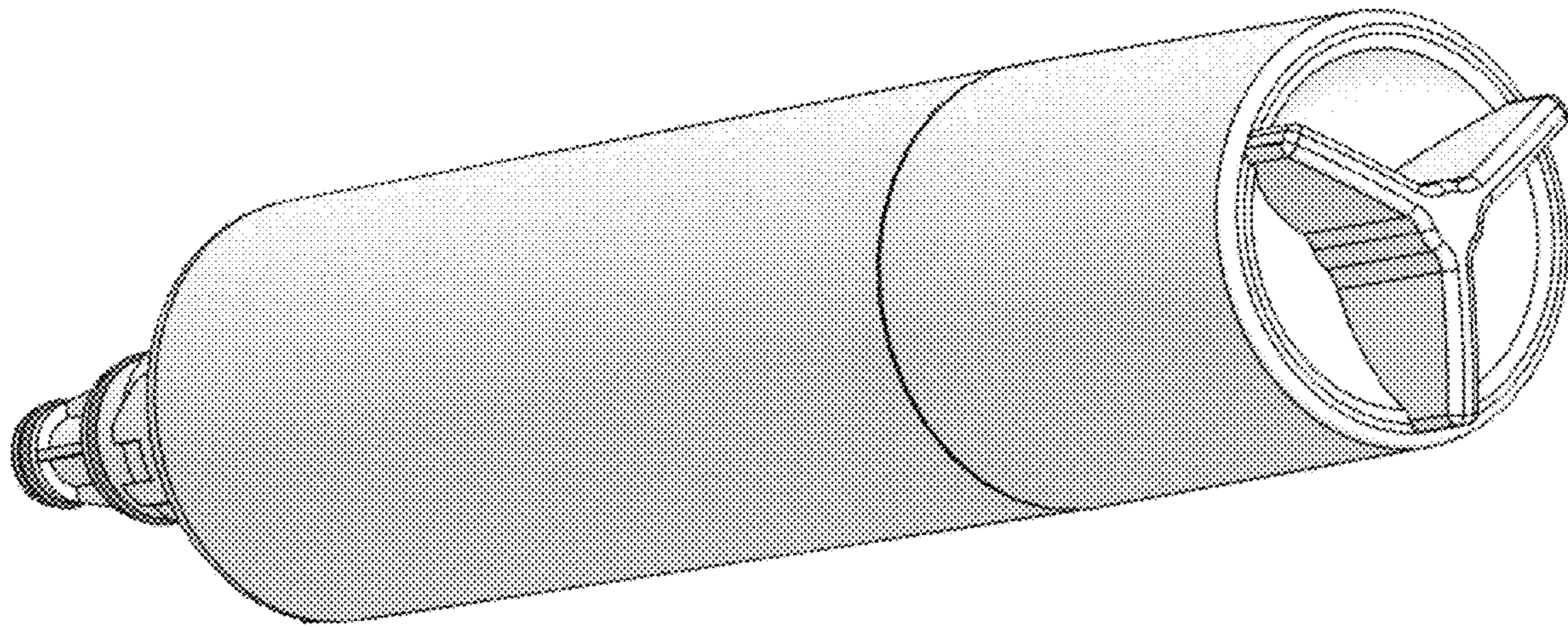


Figure 12



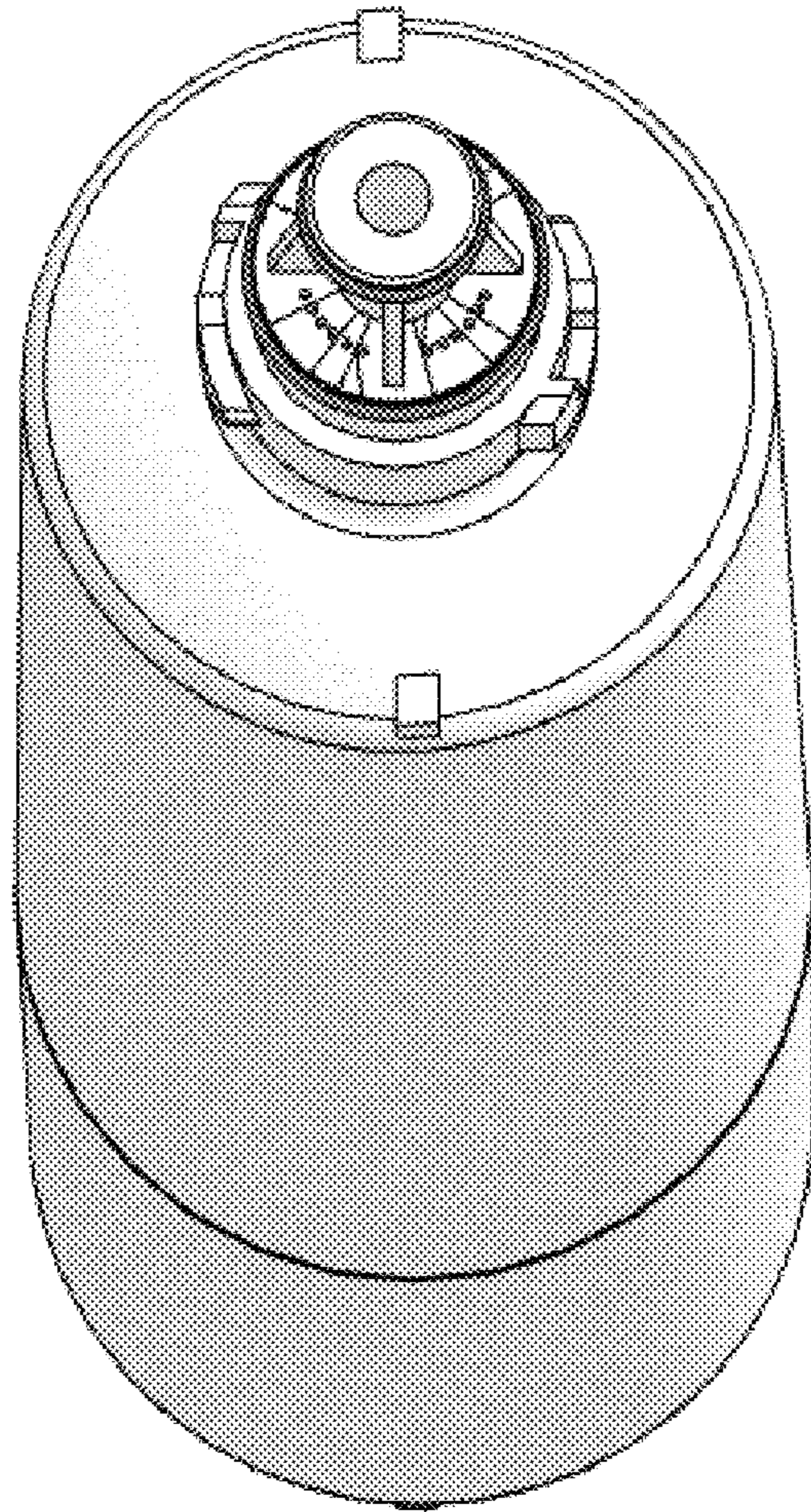


Figure 13

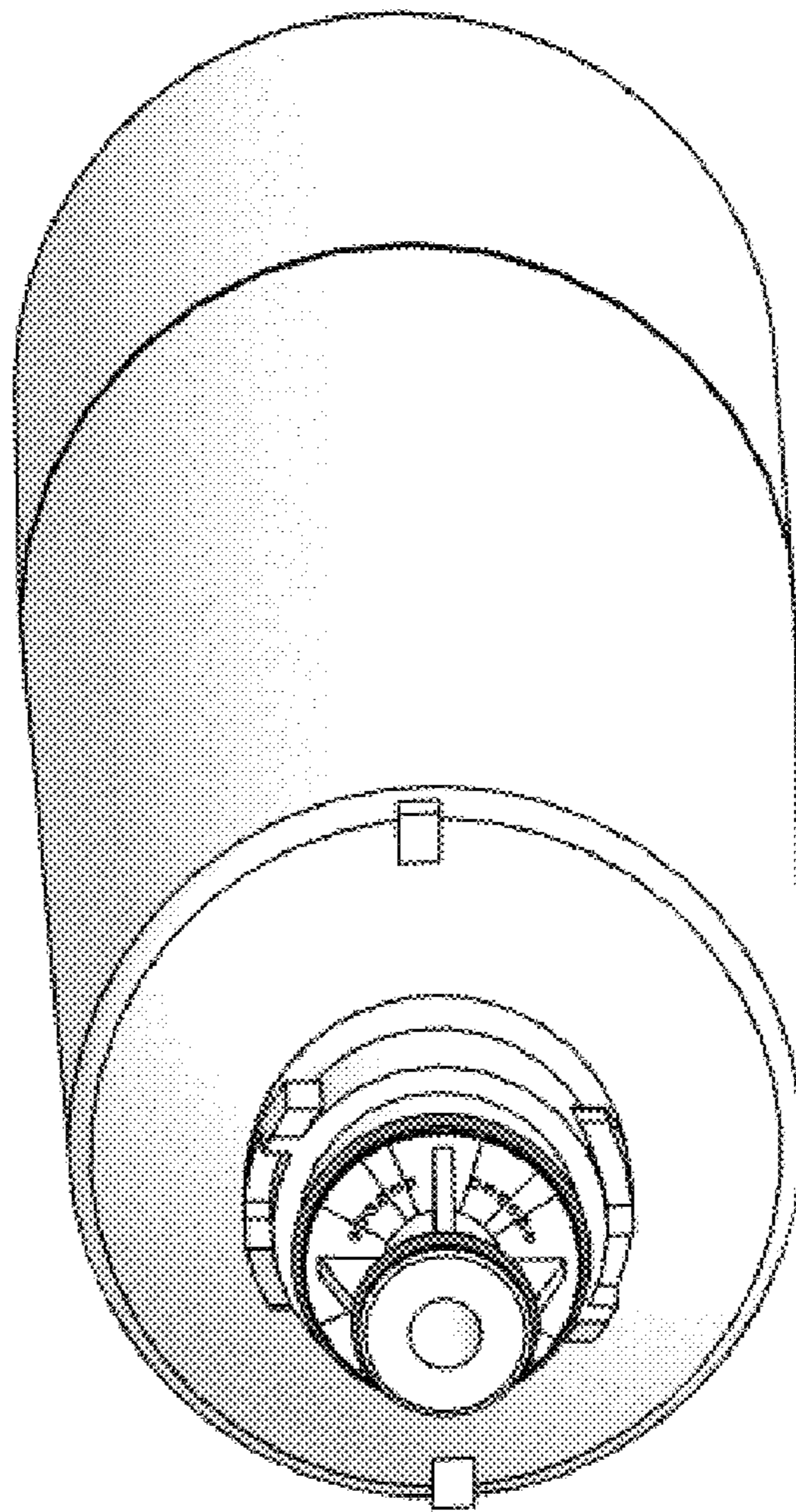


Figure 14