



US00D894336S

(12) **United States Design Patent**
Huaping

(10) **Patent No.:** **US D894,336 S**

(45) **Date of Patent:** **** Aug. 25, 2020**

(54) **WATER FILTER CARTRIDGE**

FOREIGN PATENT DOCUMENTS

(71) Applicant: **Ningbo Pureza Technology, LLC,**
Ningbo (CN)

KR 300819596 S 10/2015

(72) Inventor: **Wu Huaping,** Zhejiang (CN)

OTHER PUBLICATIONS

(73) Assignee: **NINGBO PUREZA TECHNOLOGY,**
LLC, Ningbo (CN)

Restaurantsupply.com, 3M HF65-S Replacement Cartridge for ICE165-S Water Filtration System, undated online product page retrieved from <URL: <https://www.restaurantsupply.com/3m-hf65-s-replacement-cartridge-for-ice-165-s-water-filtration-system-3-micron-and-3-34-gpm>> (Year: 2019).*

(**) Term: **15 Years**

Primary Examiner — Sheryl Lane

Assistant Examiner — Calvin E Vansant

(21) Appl. No.: **29/707,423**

(74) *Attorney, Agent, or Firm* — Fish IP Law, LLP

(22) Filed: **Sep. 27, 2019**

(51) **LOC (12) Cl.** **23-01**

(57) **CLAIM**

(52) **U.S. Cl.**
USPC **D23/209**

The ornamental design of a water filter cartridge, as shown and described.

(58) **Field of Classification Search**
USPC D23/202, 205, 207, 259, 260, 262
CPC B01D 2201/29; B01D 2201/30; B01D
2201/301; B01D 2201/302; B01D
2201/306; B01D 2201/309; B01D 35/30;
C02F 1/002; C02F 1/003
See application file for complete search history.

DESCRIPTION

(56) **References Cited**

U.S. PATENT DOCUMENTS

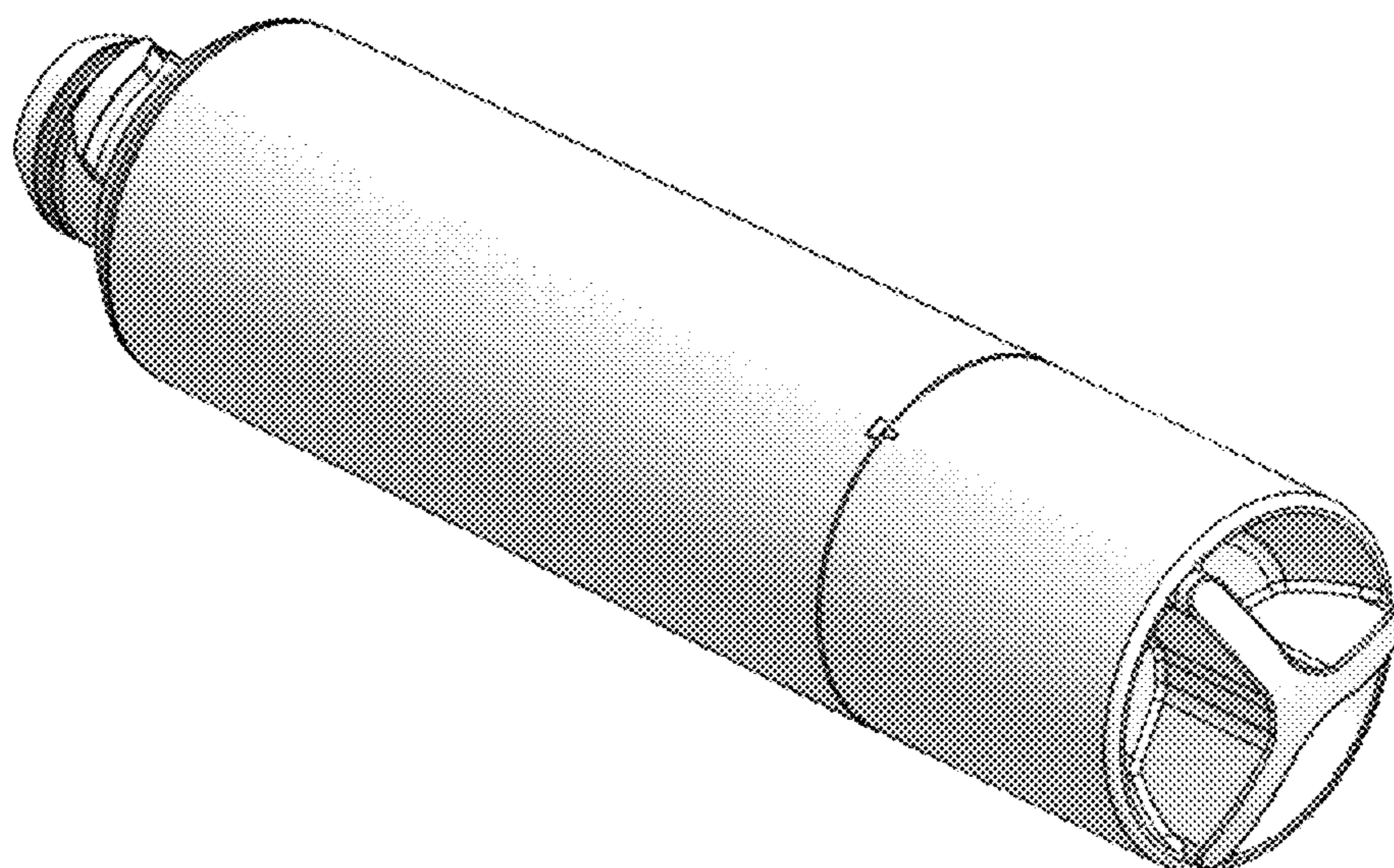
D750,738 S	3/2016	Baird	
D764,021 S *	8/2016	Lu	D23/209
D764,626 S	8/2016	Lu	
D768,813 S	10/2016	Dong et al.	
D768,814 S	10/2016	Dong et al.	
D773,607 S	12/2016	Lu	
D776,237 S	1/2017	Dong et al.	
D780,887 S	3/2017	Fluda et al.	
D788,880 S	6/2017	Zou	
D792,943 S	7/2017	Zou	
D794,749 S	8/2017	Zou	
D794,750 S	8/2017	Zou	
D795,995 S *	8/2017	Zou	D23/209

(Continued)

FIG. 1 is a top, front, right side perspective view of a water filter cartridge showing my new design;
FIG. 2 is a front elevation view thereof;
FIG. 3 is a back elevation view thereof;
FIG. 4 is a right side elevation view thereof;
FIG. 5 is a left side elevation view thereof;
FIG. 6 is a top, back, left side perspective view thereof;
FIG. 7 is a top, back, right side perspective view thereof;
FIG. 8 is a top, front, left side perspective view thereof;
FIG. 9 is a bottom, back, left side perspective view thereof;
FIG. 10 is a bottom, back, right side perspective view thereof;
FIG. 11 is a bottom, front, left side perspective view thereof;
and,
FIG. 12 is a bottom, front, right side perspective view thereof.

The broken lines represent depict boundaries of the claim, the broken lines and the portions they enclose form no part of the claimed design.

1 Claim, 9 Drawing Sheets



(56)

References Cited

U.S. PATENT DOCUMENTS

D807,988 S	1/2018	An et al.	
D820,948 S *	6/2018	An	D23/209
D831,786 S	10/2018	Zou	
D831,788 S	10/2018	Zou	
D845,434 S	4/2019	Zou	
D854,122 S	7/2019	An et al.	
D856,472 S	8/2019	Zou	
D857,157 S	8/2019	Zou	
D857,158 S	8/2019	Zou	
D857,840 S *	8/2019	Lu	D23/209
D857,841 S	8/2019	Lu	
D858,693 S *	9/2019	Zou	D23/209
D858,694 S	9/2019	Zou	
D865,119 S *	10/2019	An	D23/209

* cited by examiner

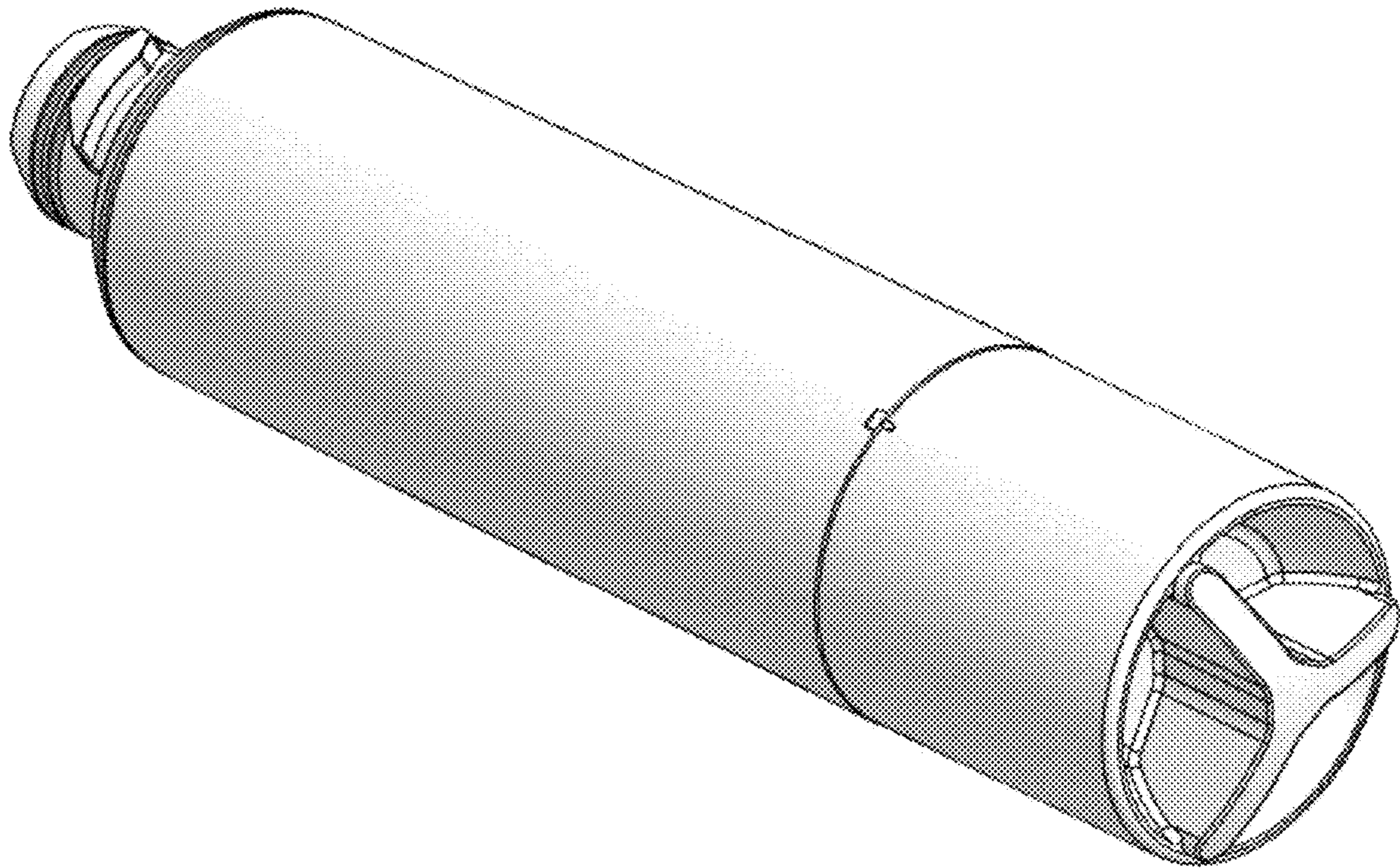


Figure 1

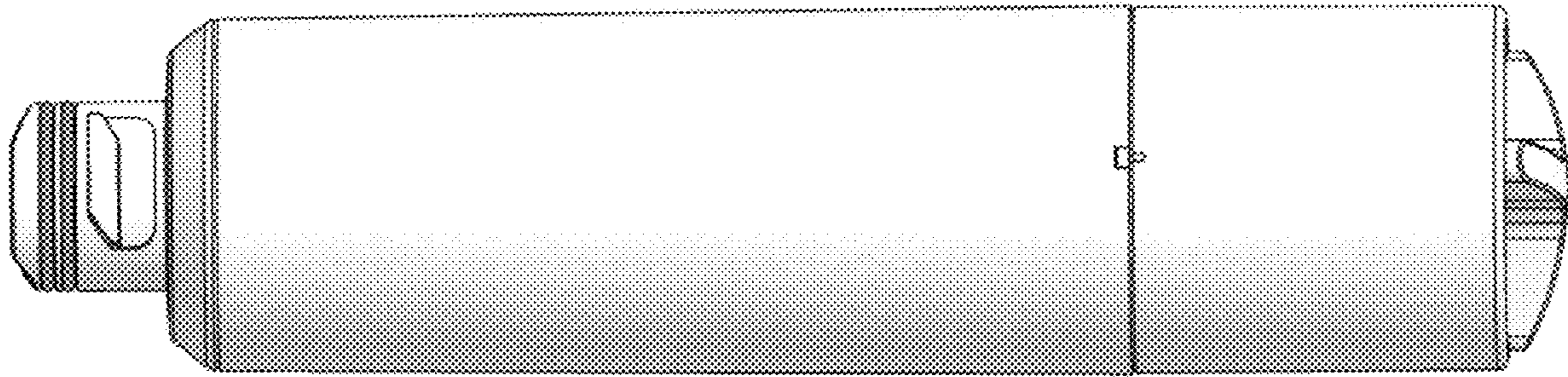


Figure 2

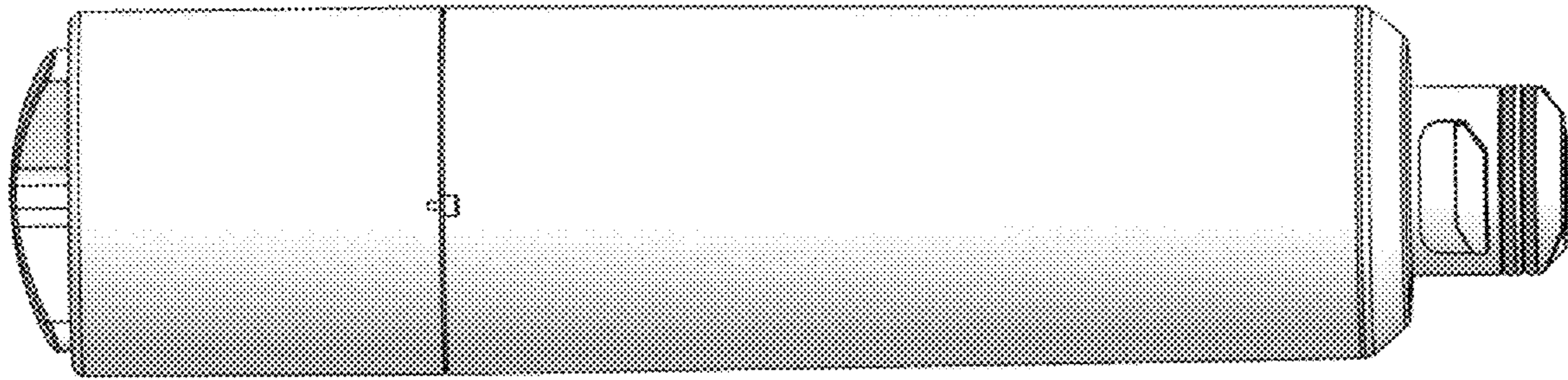


Figure 3

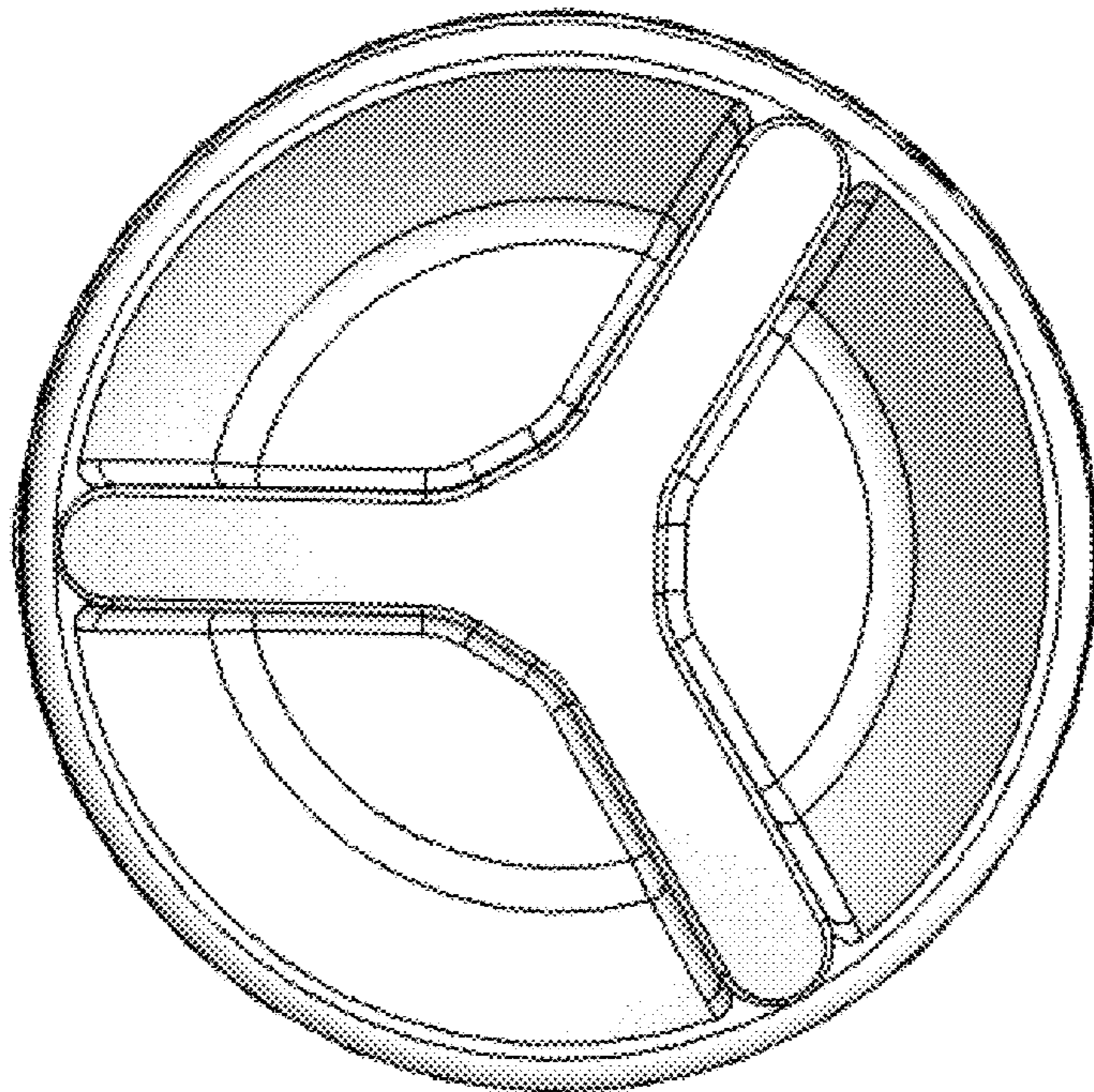


Figure 4

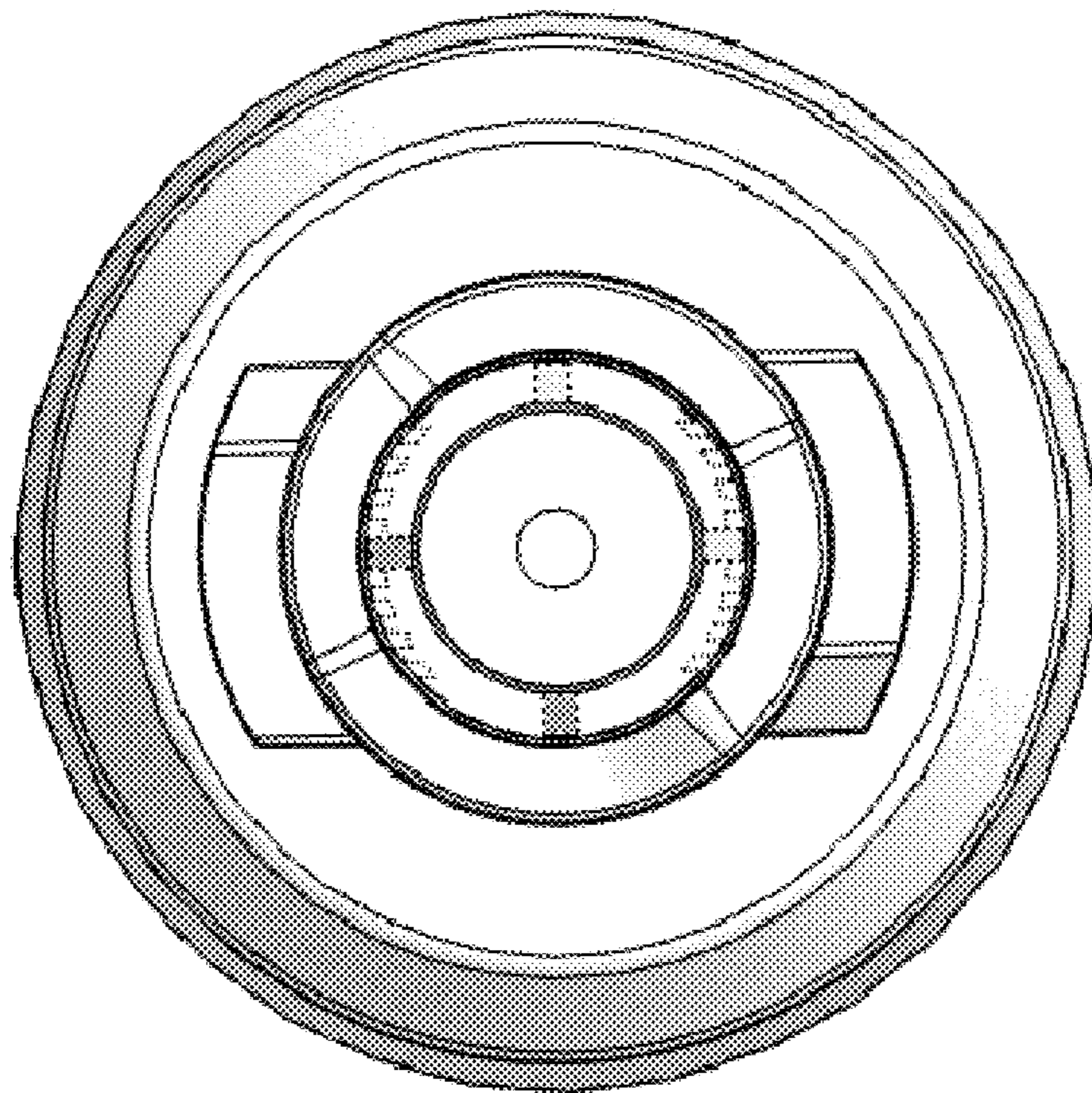


Figure 5

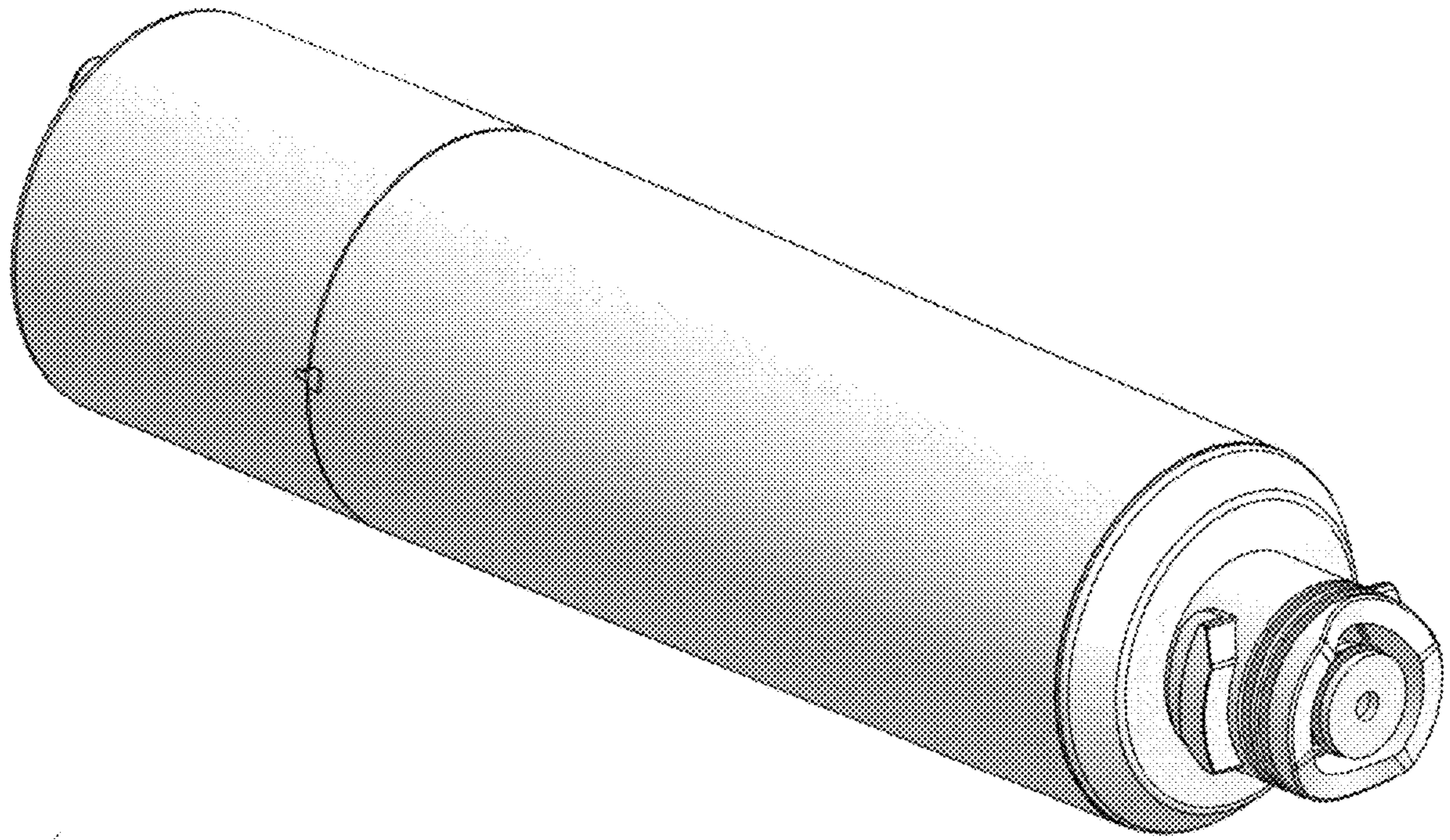


Figure 6

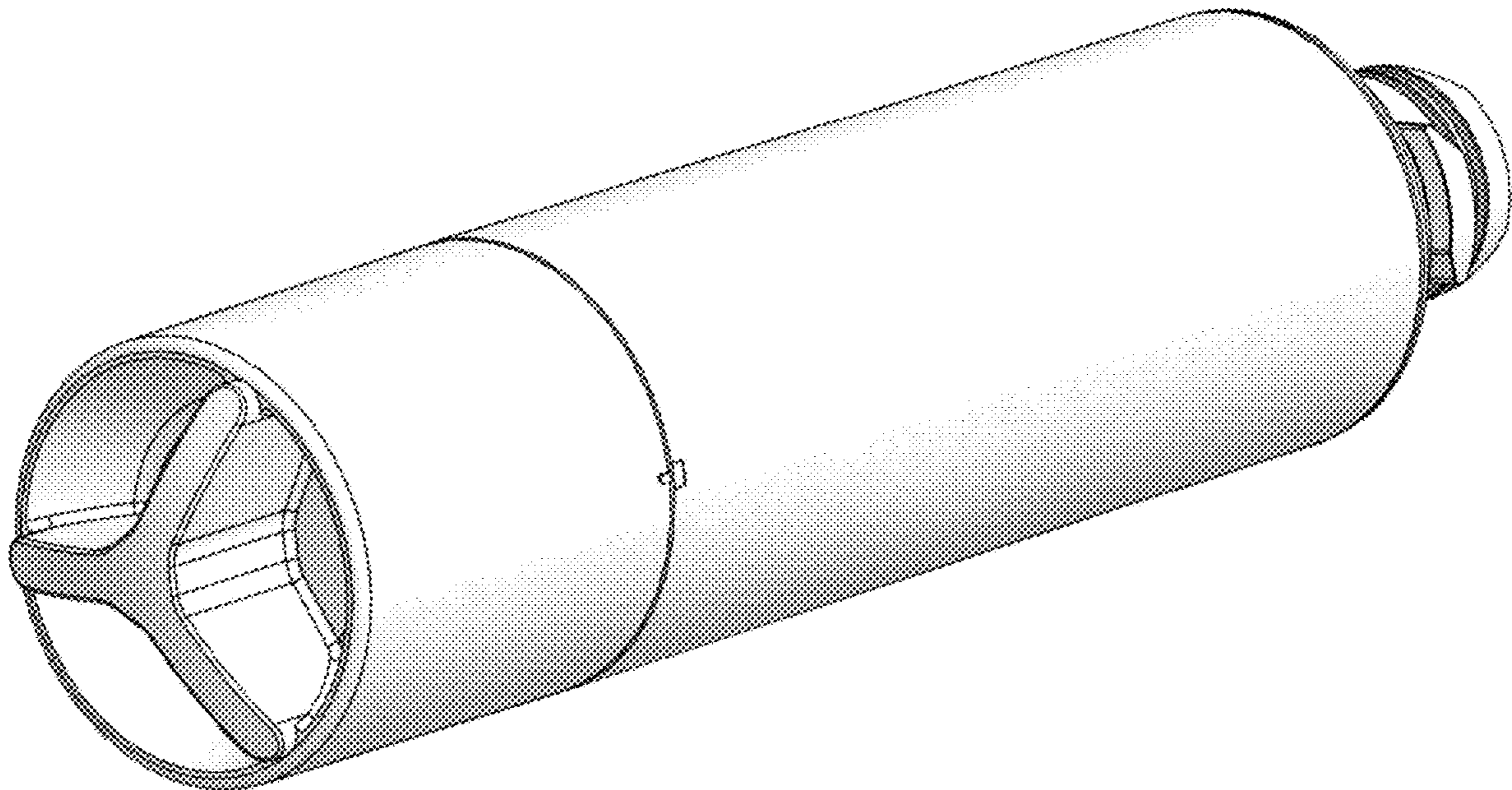


Figure 7

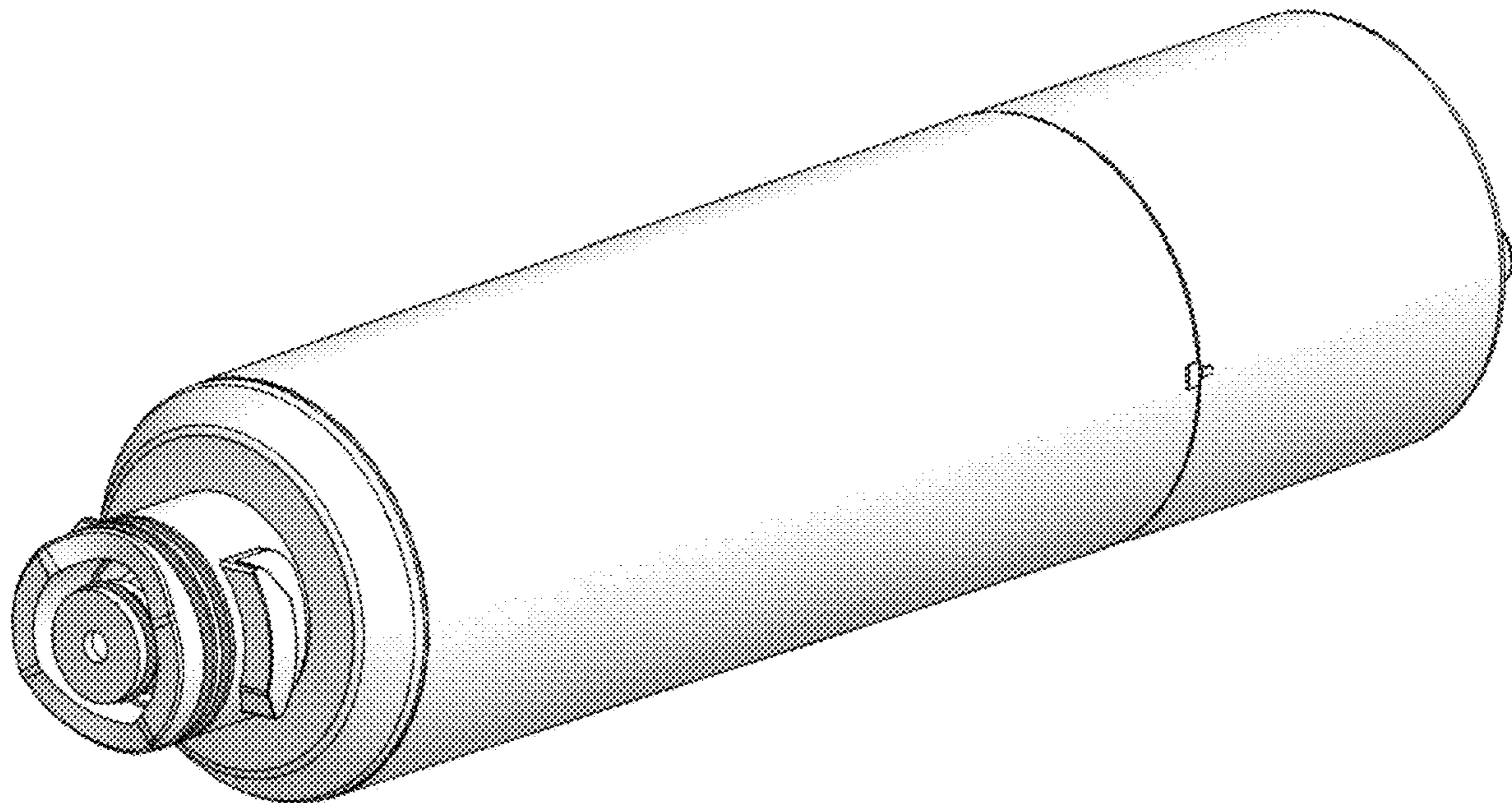


Figure 8

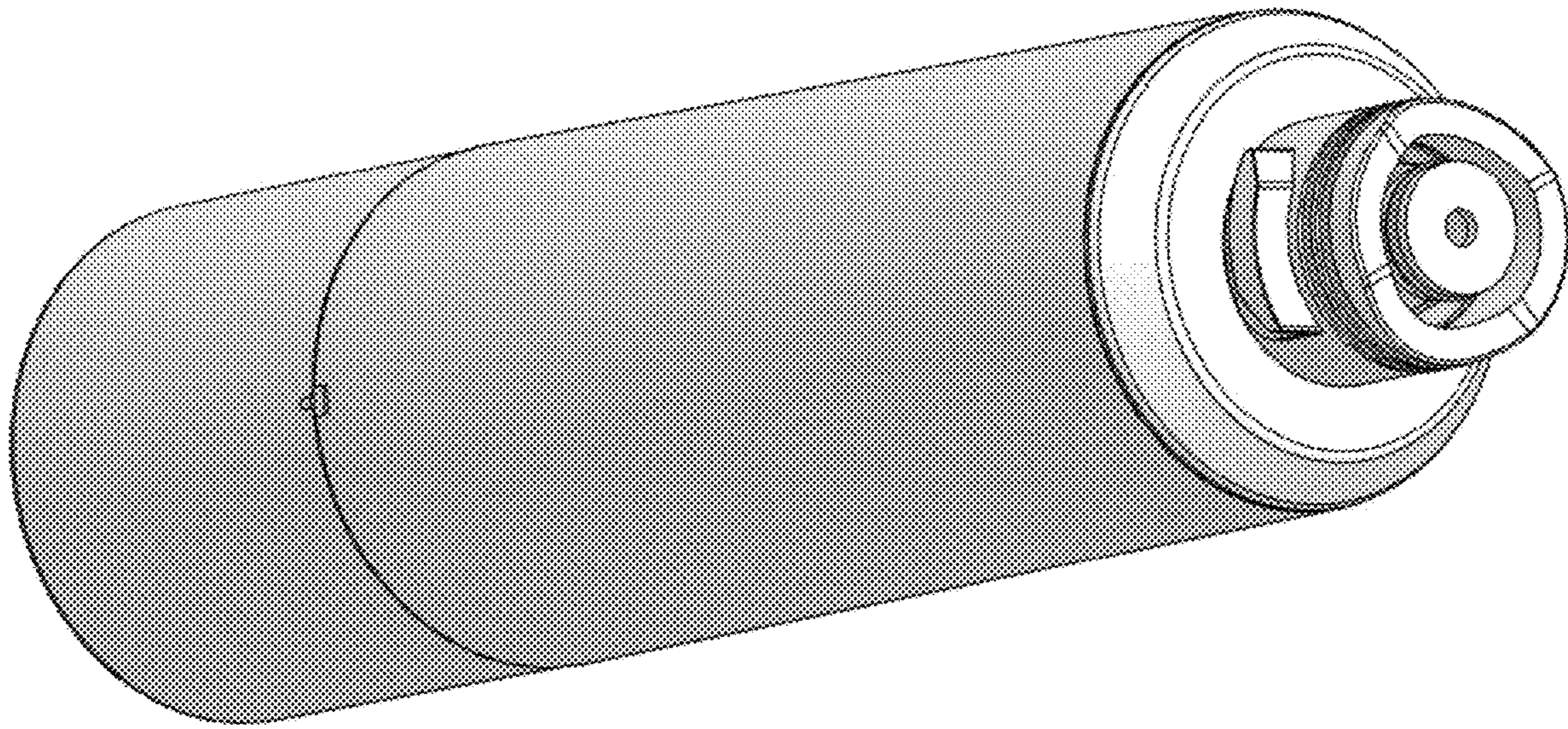


Figure 9

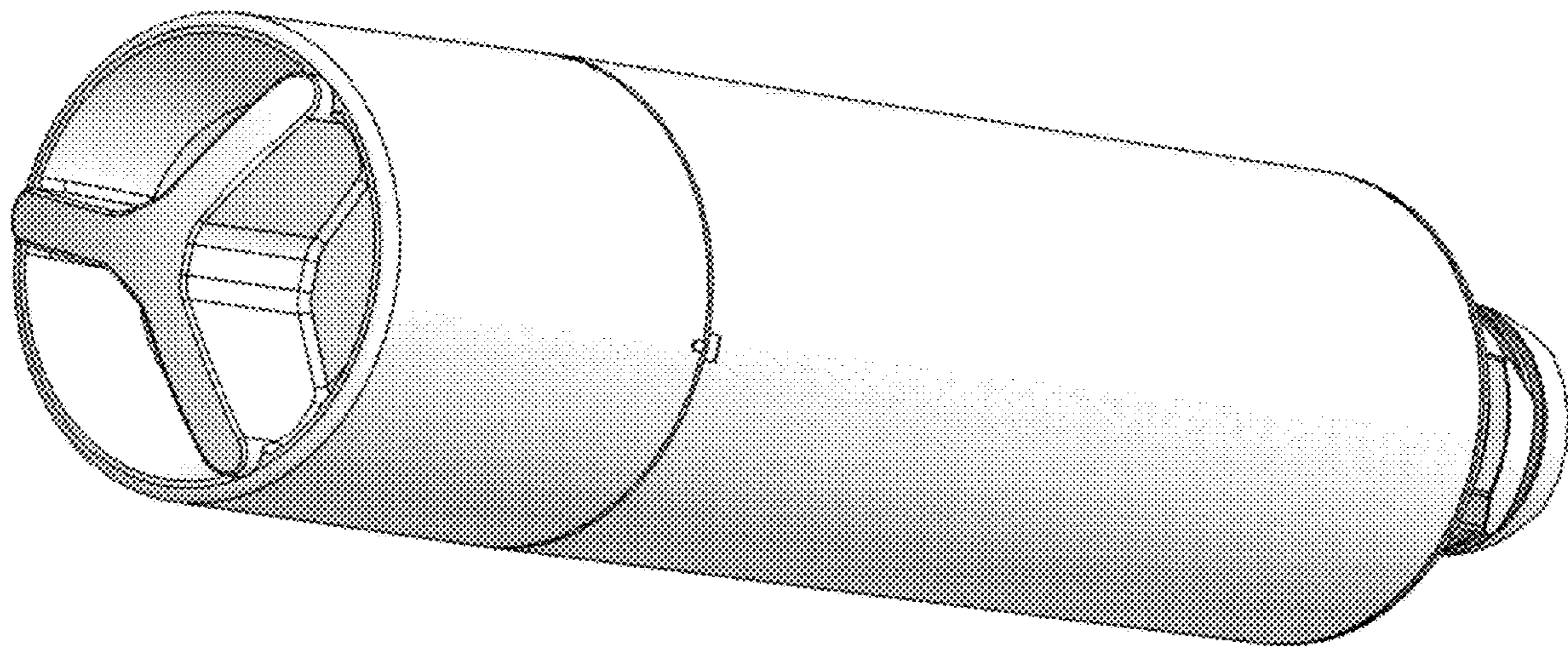


Figure 10

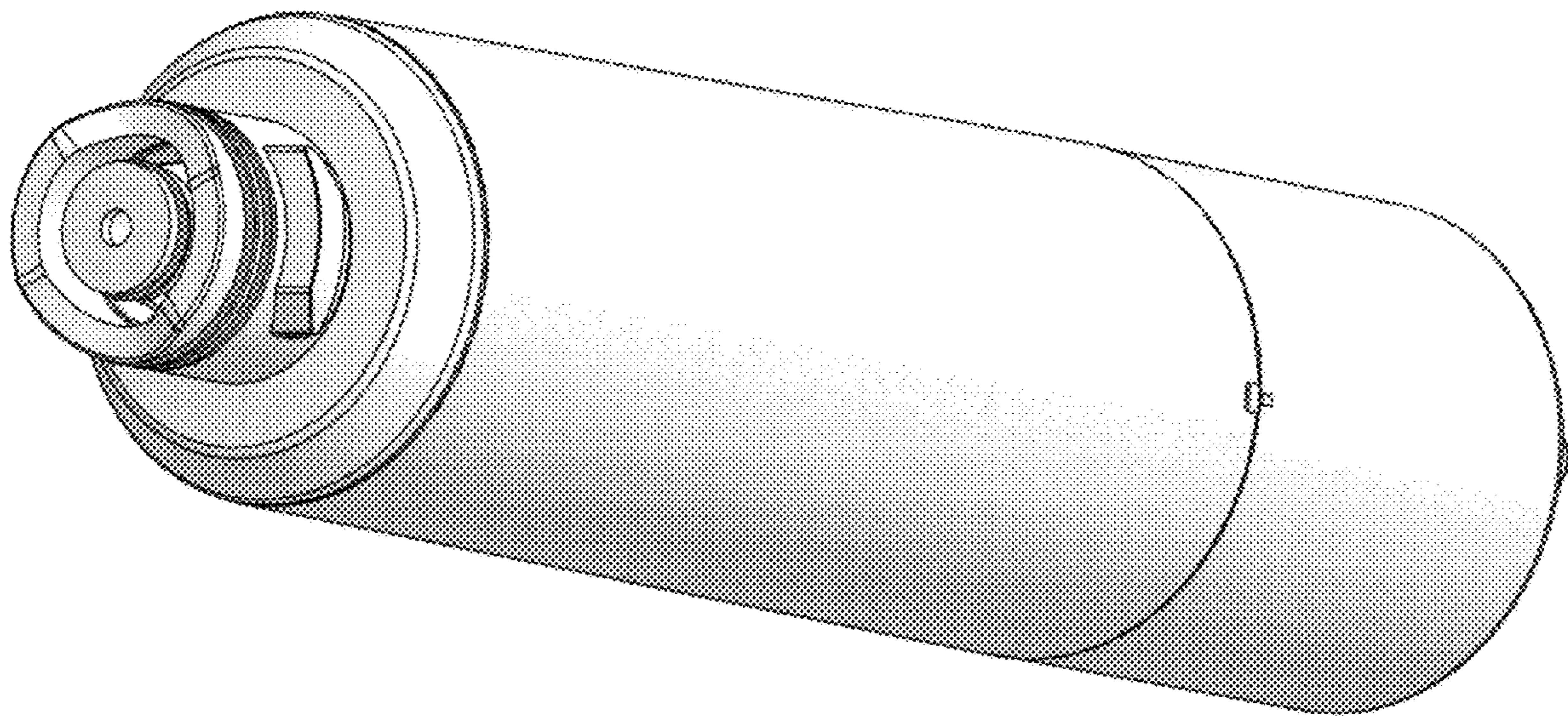


Figure 11

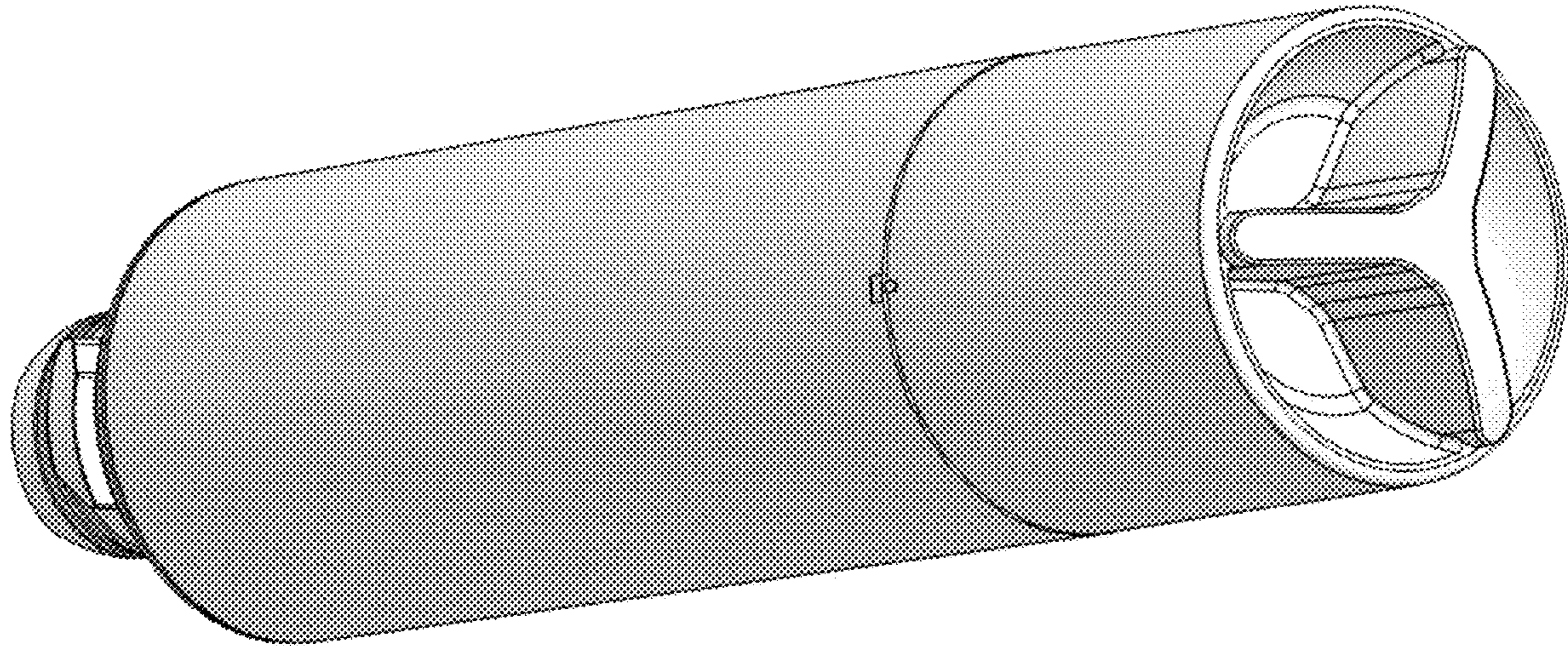


Figure 12