



US00D894333S

(12) **United States Design Patent**
Huaping

(10) **Patent No.:** **US D894,333 S**

(45) **Date of Patent:** **** Aug. 25, 2020**

- (54) **WATER FILTER CARTRIDGE**
- (71) Applicant: **Ningbo Pureza Technology, LLC,**
Ningbo (CN)
- (72) Inventor: **Wu Huaping,** Zhejiang (CN)
- (73) Assignee: **Ningbo Pureza Technology, LLC (CN)**
- (**) Term: **15 Years**
- (21) Appl. No.: **29/703,235**
- (22) Filed: **Aug. 26, 2019**
- (51) **LOC (12) Cl.** **23-01**
- (52) **U.S. Cl.**
USPC **D23/209**
- (58) **Field of Classification Search**
USPC D23/202, 205, 207, 259, 260, 262
CPC B01D 2201/29; B01D 2201/30; B01D
2201/301; B01D 2201/302; B01D
2201/306; B01D 2201/309; B01D 35/30;
C02F 1/002; C02F 1/003
See application file for complete search history.

- D831,786 S 10/2018 Zou
- D831,788 S 10/2018 Zou
- D846,069 S * 4/2019 Zou D23/209
- D852,929 S 7/2019 Nelson et al.
- D856,472 S 8/2019 Zou
- D856,473 S 8/2019 Zou

(Continued)

Primary Examiner — Sheryl Lane
Assistant Examiner — Calvin E Vansant
 (74) *Attorney, Agent, or Firm* — Fish IP Law, LLP

(57) **CLAIM**

The ornamental design of a water filter cartridge, as shown and described.

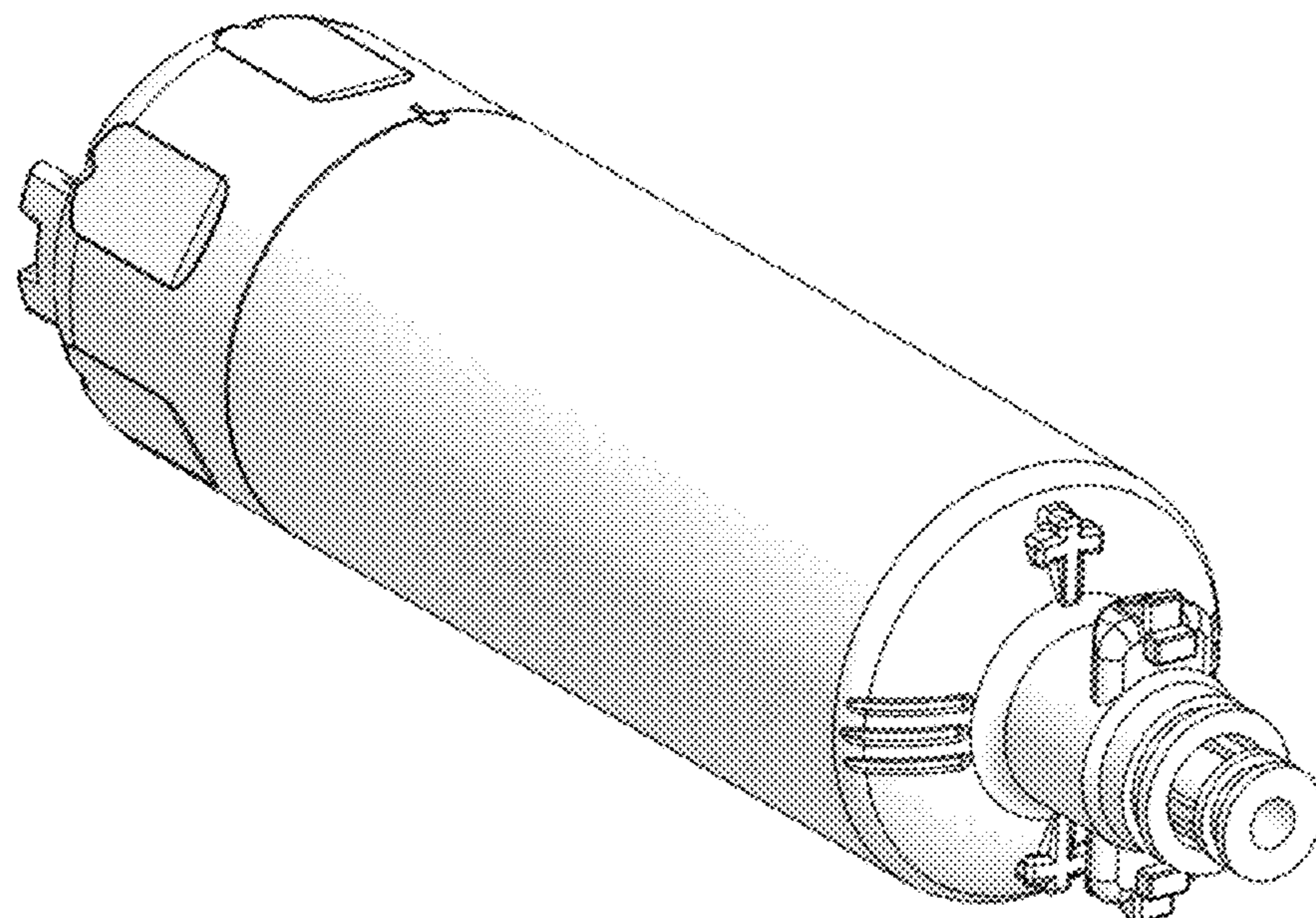
DESCRIPTION

FIG. 1 is a top, front, right side perspective view of an embodiment of a water filter cartridge showing my new design;
 FIG. 2 is a front elevation view thereof;
 FIG. 3 is a back elevation view thereof;
 FIG. 4 is a right side elevation view thereof;
 FIG. 5 is a left side elevation view thereof;
 FIG. 6 is a top, back, left side perspective view thereof;
 FIG. 7 is a top, back, right side perspective view thereof;
 FIG. 8 is a top, front, left side perspective view thereof;
 FIG. 9 is a bottom, back, left side perspective view thereof;
 FIG. 10 is a bottom, back, right side perspective view thereof;
 FIG. 11 is a bottom, front, left side perspective view thereof;
 FIG. 12 is a bottom, front, right side perspective view thereof;
 FIG. 13 is a bottom perspective view of the left side thereof;
 and,
 FIG. 14 is a top perspective view of the left side thereof.
 The broken line showing of various features of the water filter cartridge form no part of the claimed design.

1 Claim, 11 Drawing Sheets

(56) **References Cited**
 U.S. PATENT DOCUMENTS

- D472,299 S 3/2003 Fritze
- D541,371 S 4/2007 McKay
- D750,738 S 3/2016 Baird
- D764,626 S * 8/2016 Lu D23/209
- D773,607 S 12/2016 Lu
- D780,887 S * 3/2017 Huda D23/209
- D788,880 S 6/2017 Zou
- D792,943 S 7/2017 Zou
- D794,749 S 8/2017 Zou
- D795,995 S 8/2017 Zou
- D795,996 S 8/2017 Zou
- D795,997 S 8/2017 Zou
- D798,997 S 10/2017 Zou
- D820,948 S 6/2018 An et al.



(56)

References Cited

U.S. PATENT DOCUMENTS

D856,474 S	*	8/2019	Zou	D23/209
D857,157 S		8/2019	Zou		
D857,158 S		8/2019	Zou		
D857,841 S		8/2019	Lu		
D858,691 S		9/2019	Zou		
D858,692 S		9/2019	Zou		
D858,693 S		9/2019	Zou		
D858,694 S		9/2019	Zou		

* cited by examiner

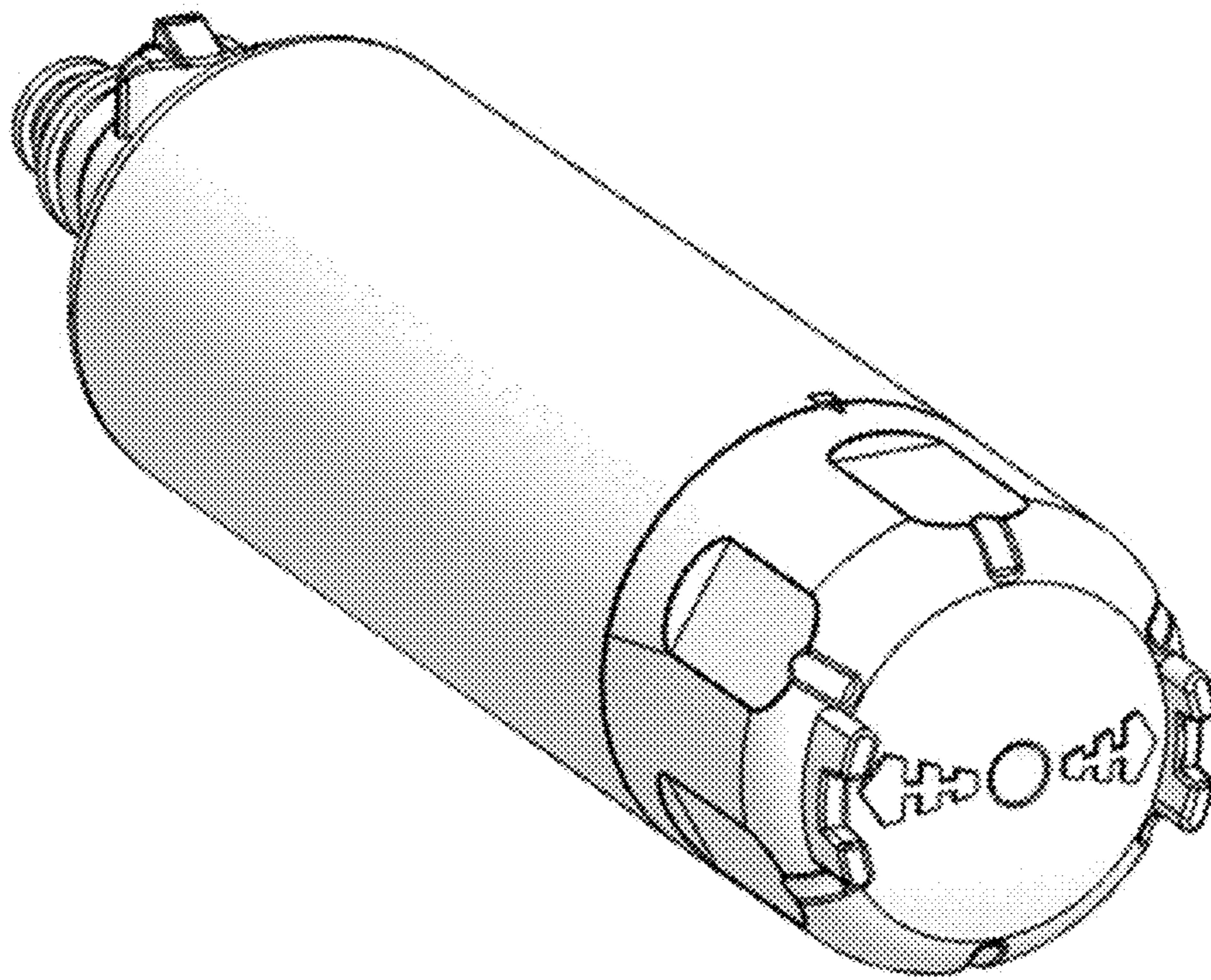


Figure 1

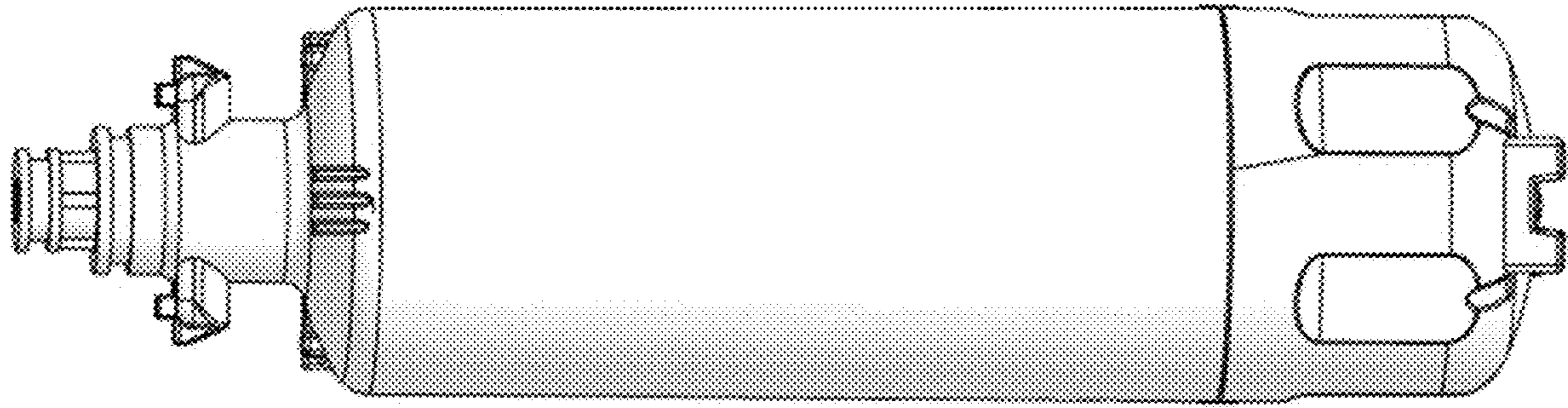


Figure 2

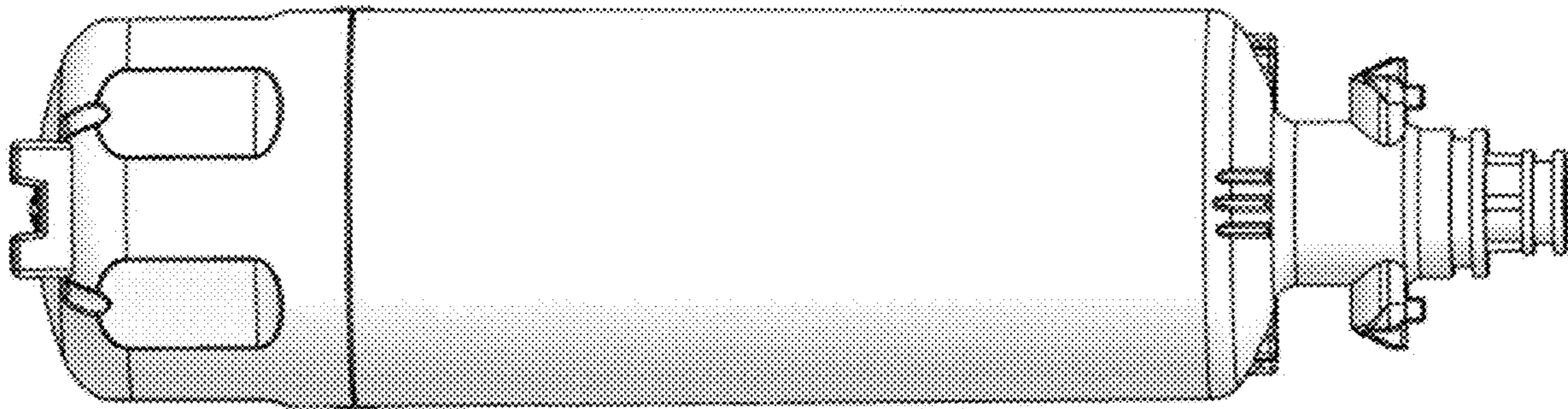


Figure 3

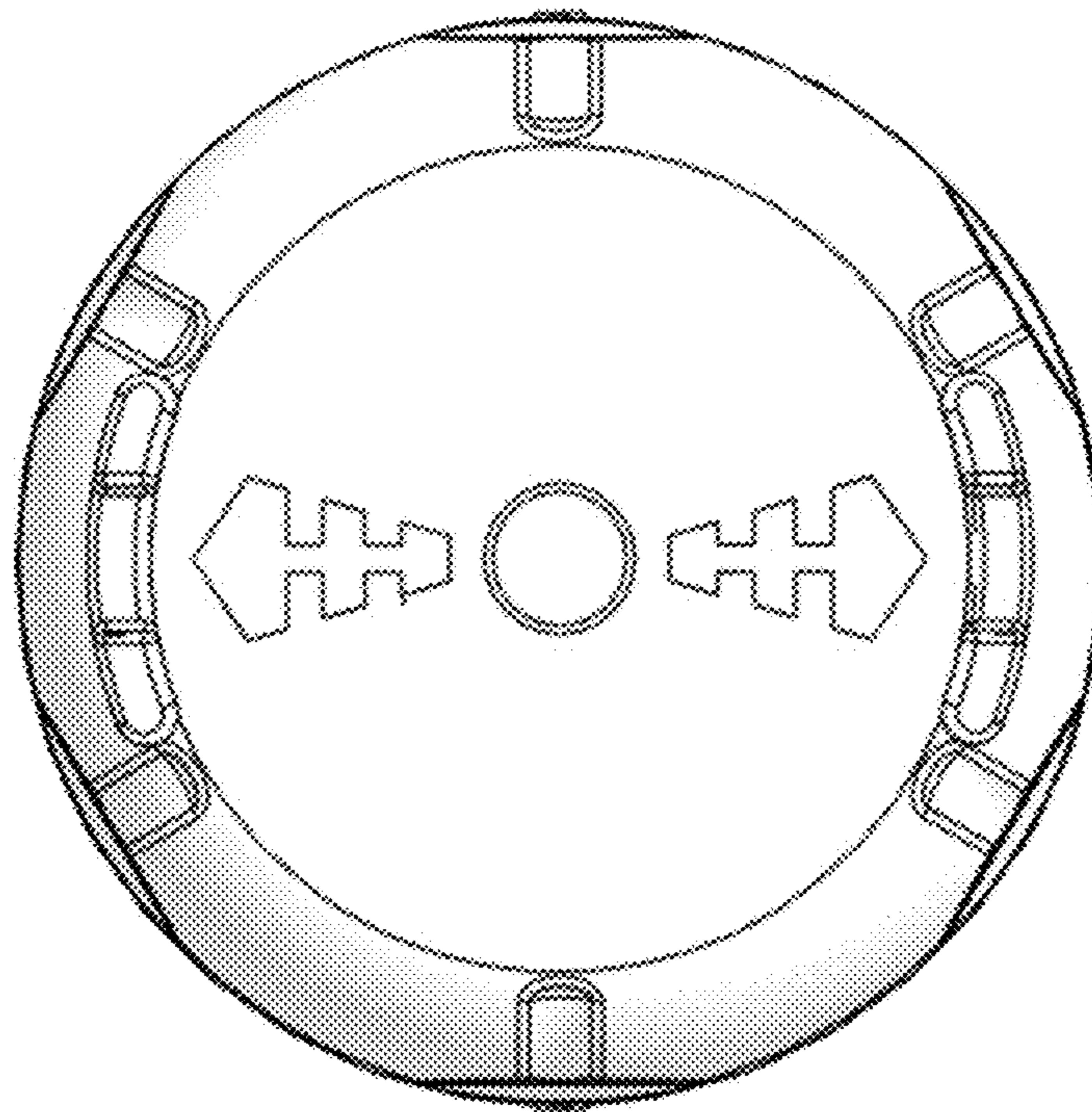


Figure 4

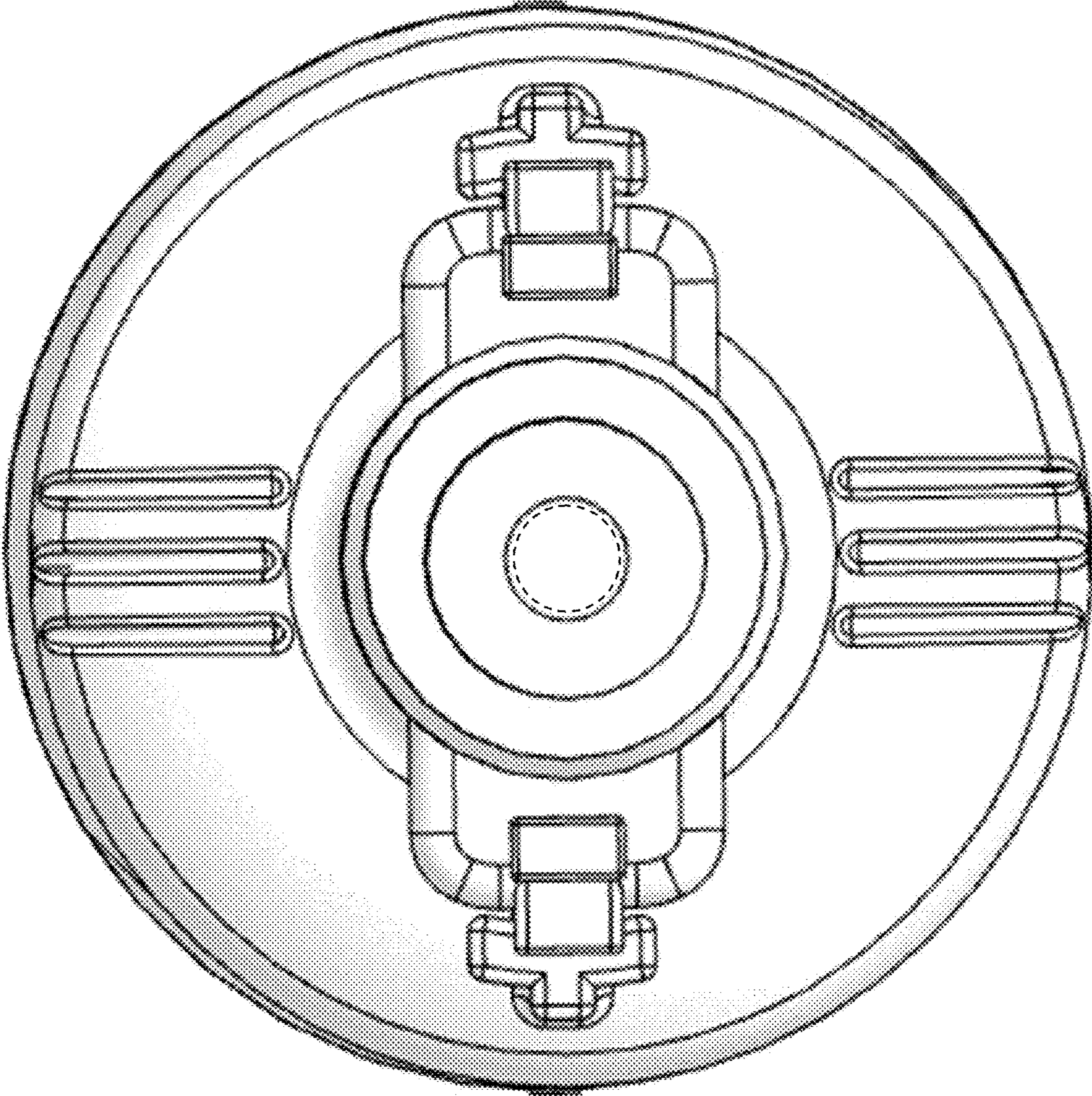


Figure 5

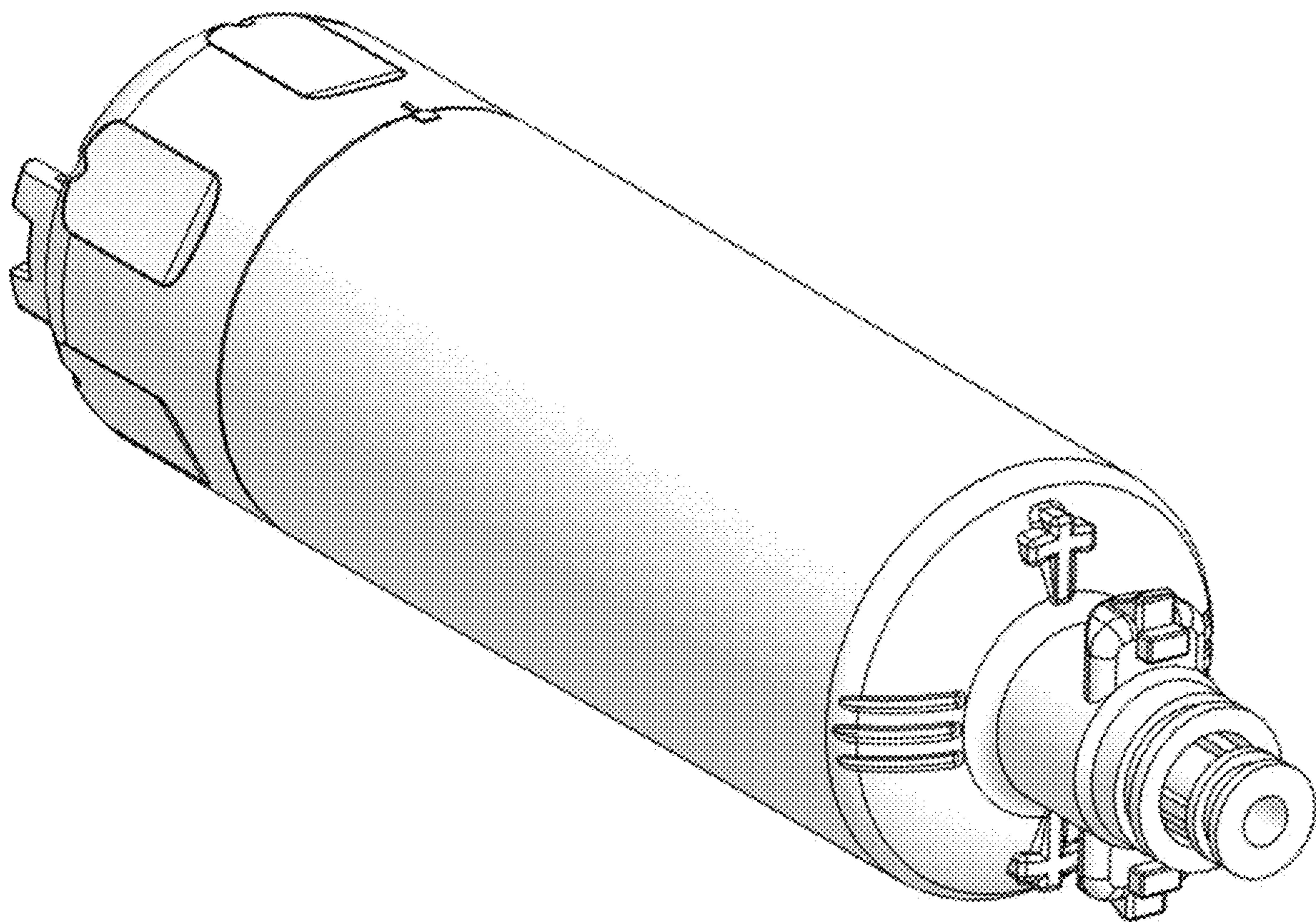


Figure 6

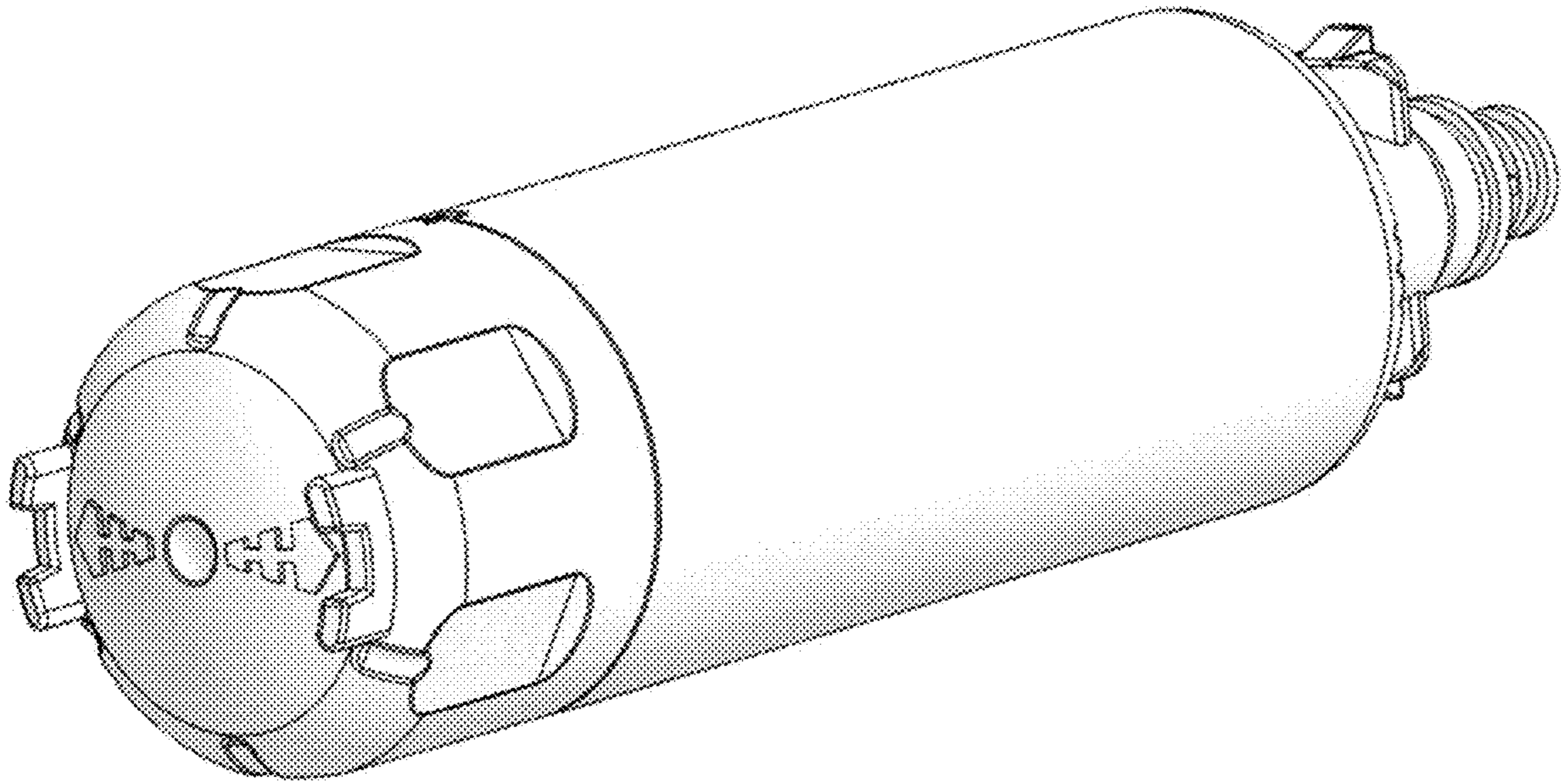


Figure 7

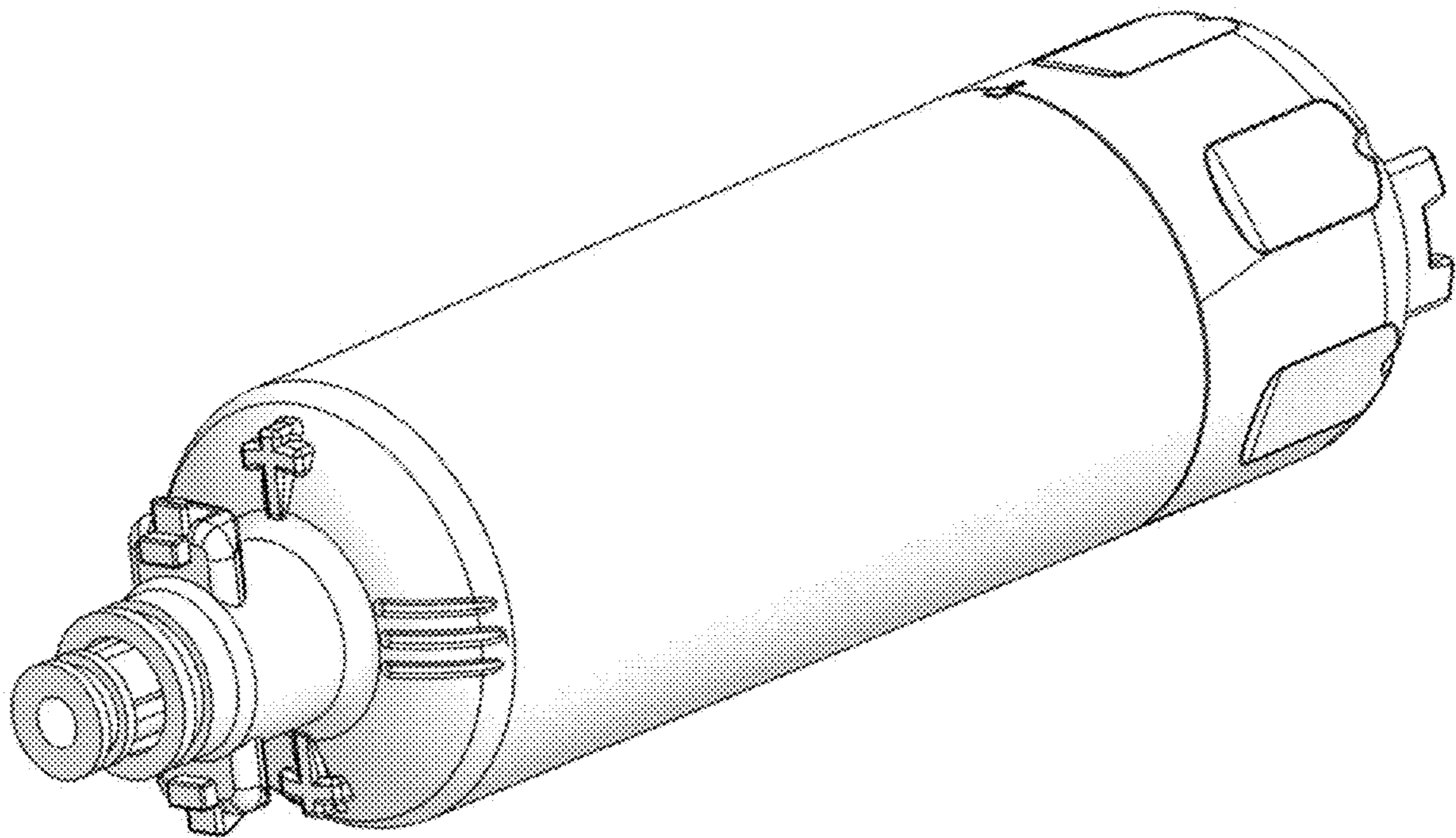


Figure 8

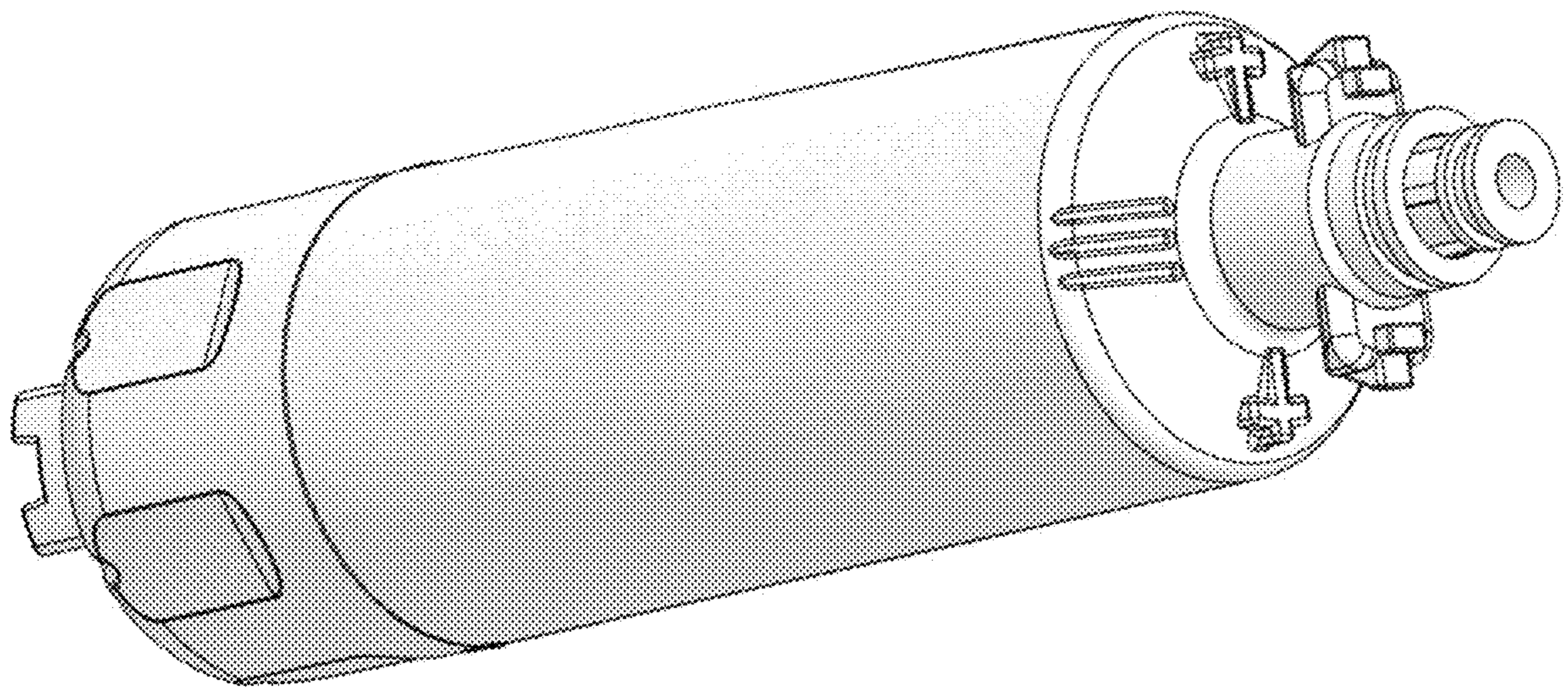


Figure 9

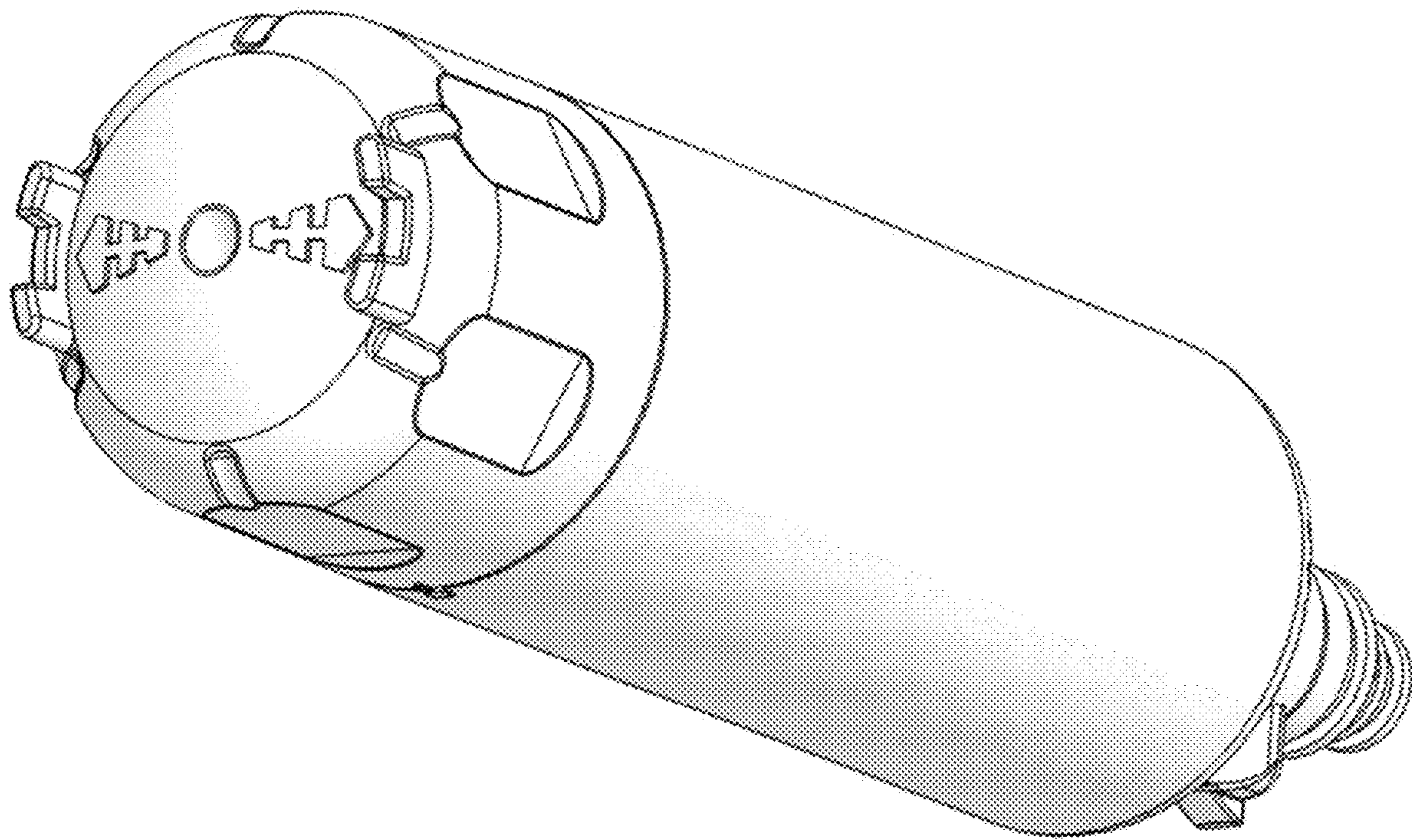


Figure 10

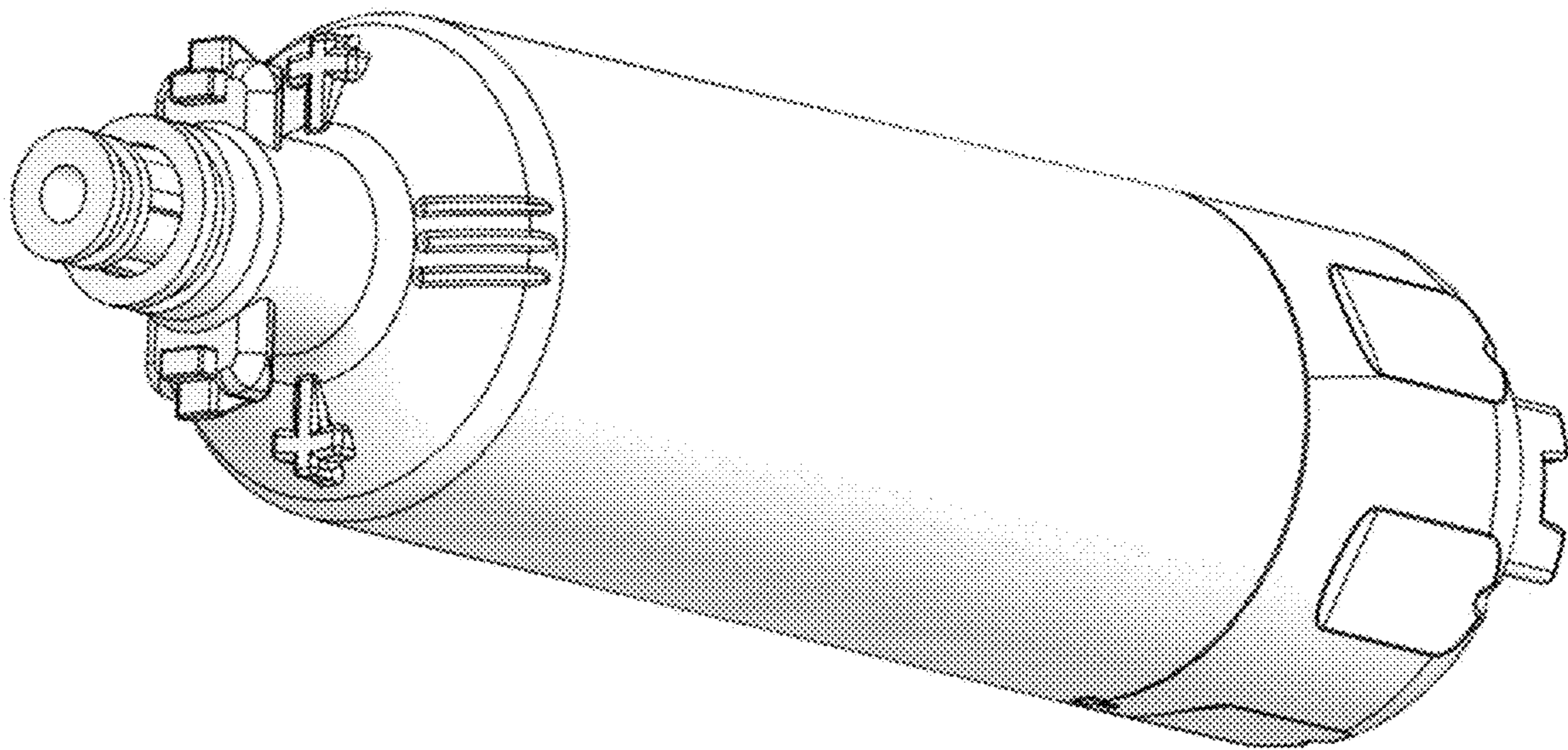


Figure 11

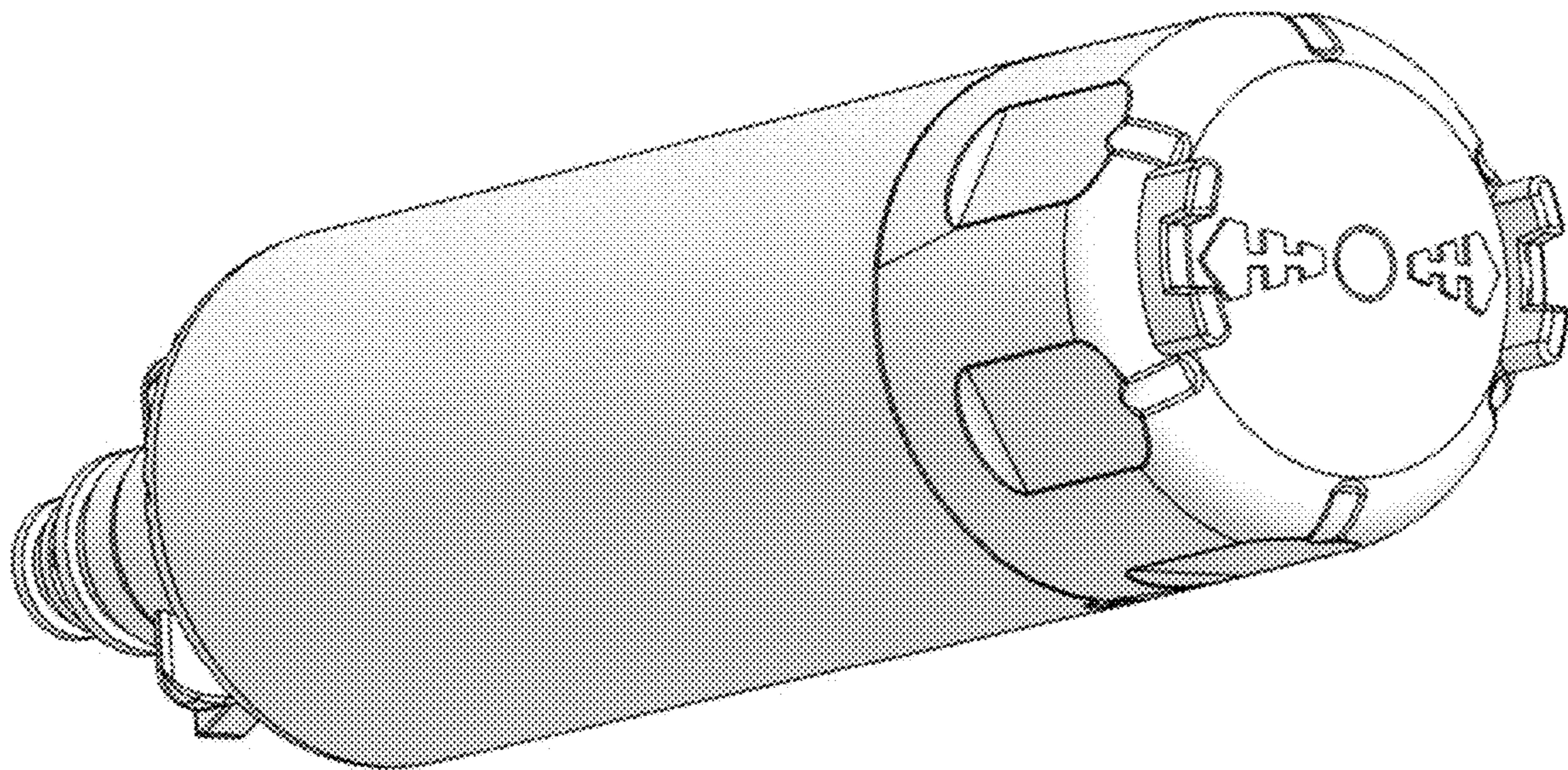


Figure 12

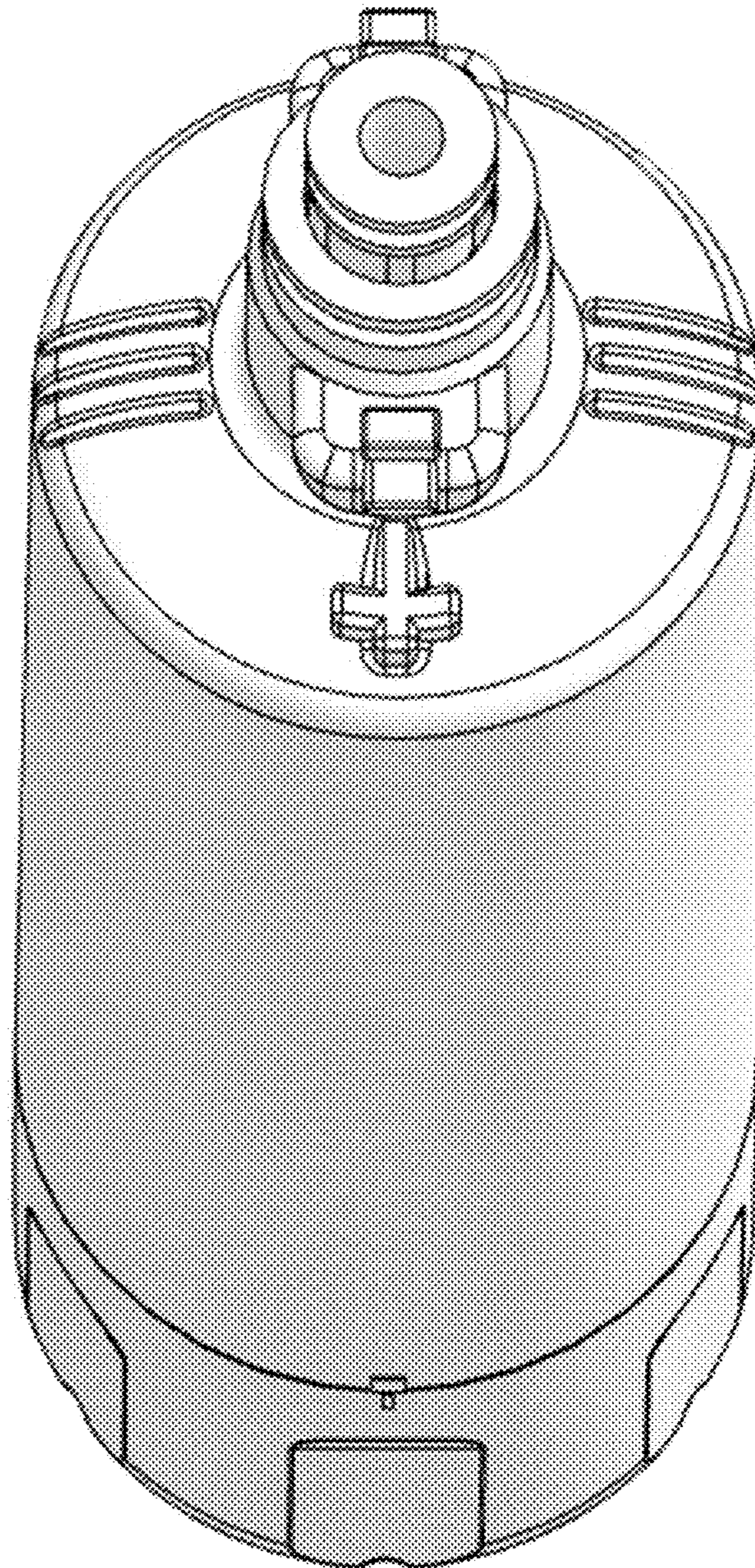


Figure 13

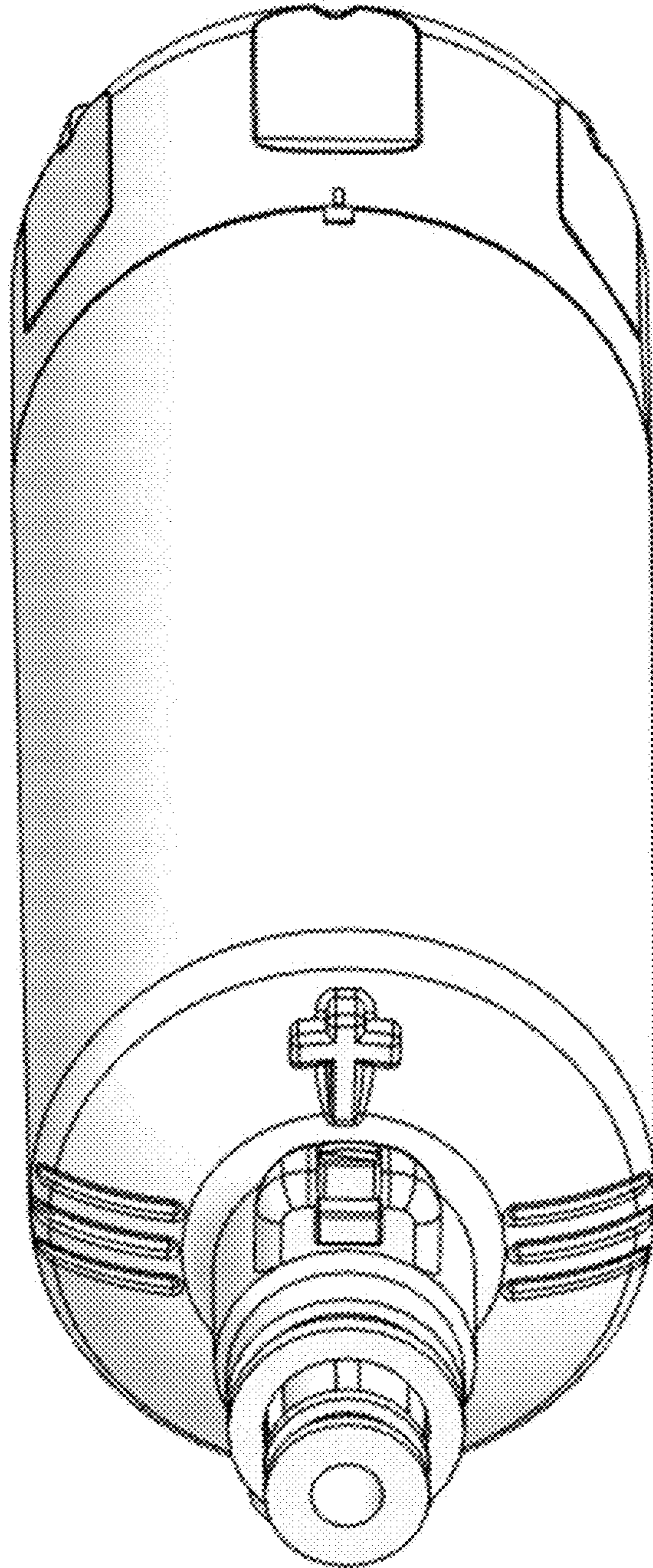


Figure 14