



US00D894332S

(12) **United States Design Patent**
Huaping

(10) **Patent No.:** **US D894,332 S**

(45) **Date of Patent:** **** Aug. 25, 2020**

- (54) **WATER FILTER CARTRIDGE**
- (71) Applicant: **Ningbo Pureza Technology, LLC,**
Ningbo (CN)
- (72) Inventor: **Wu Huaping,** Zhejiang (CN)
- (73) Assignee: **Ningbo Pureza Technology, LLC (CN)**
- (**) Term: **15 Years**
- (21) Appl. No.: **29/696,068**
- (22) Filed: **Jun. 25, 2019**
- (51) **LOC (12) Cl.** **23-01**
- (52) **U.S. Cl.**
USPC **D23/209**
- (58) **Field of Classification Search**
USPC D23/202, 205, 207, 259, 260, 262
CPC B01D 2201/29; B01D 2201/30; B01D
2201/301; B01D 2201/302; B01D
2201/306; B01D 2201/309; B01D 35/30;
C02F 1/002; C02F 1/003
See application file for complete search history.

- D795,996 S 8/2017 Zou
- D795,997 S 8/2017 Zou
- D798,997 S 10/2017 Zou
- D802,083 S * 11/2017 Lee D23/207
- D806,830 S * 1/2018 An D23/209
- D807,988 S * 1/2018 An D23/209

(Continued)

Primary Examiner — Sheryl Lane
Assistant Examiner — Calvin E Vansant
(74) *Attorney, Agent, or Firm* — Fish IP Law, LLP

(57) **CLAIM**

The ornamental design of a water filter cartridge, as shown and described.

DESCRIPTION

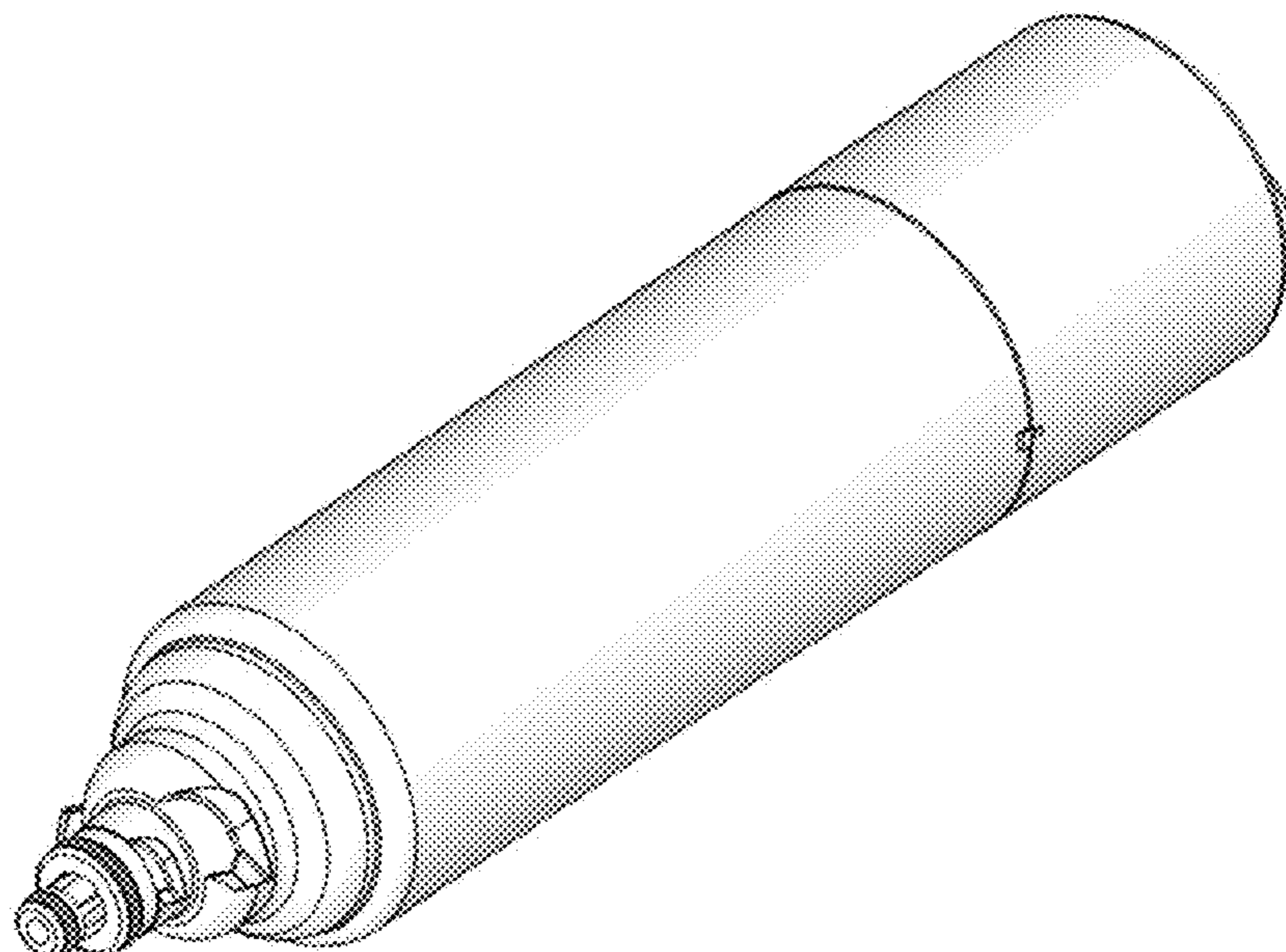
FIG. 1 is a top, front, right side perspective view of an embodiment of a water filter cartridge showing my new design;
FIG. 2 is a front elevation view thereof;
FIG. 3 is a back elevation view thereof;
FIG. 4 is a right side elevation view thereof;
FIG. 5 is a left side elevation view thereof;
FIG. 6 is a top, back, left side perspective view thereof;
FIG. 7 is a top, back, right side perspective view thereof;
FIG. 8 is a top, front, left side perspective view thereof;
FIG. 9 is a bottom, back, left side perspective view thereof;
FIG. 10 is a bottom, back, right side perspective view thereof;
FIG. 11 is a bottom, front, left side perspective view thereof;
FIG. 12 is a bottom, front, right side perspective view thereof;
FIG. 13 is a bottom perspective view of the left side thereof;
and,
FIG. 14 is a top perspective view of the left side thereof.
The broken line showing of various features of the water filter cartridge form no part of the claimed design.

1 Claim, 11 Drawing Sheets

(56) **References Cited**

U.S. PATENT DOCUMENTS

- D472,299 S 3/2003 Fritze
- D541,371 S 4/2007 McKay
- 8,354,024 B2 * 1/2013 Ihle B01D 35/30
210/238
- D750,738 S 3/2016 Baird
- D762,812 S * 8/2016 Branscomb D23/209
- D773,607 S 12/2016 Lu
- D780,887 S * 3/2017 Huda D23/209
- D788,880 S 6/2017 Zou
- D791,912 S * 7/2017 Boudreau D23/209
- D792,943 S 7/2017 Zou
- D794,749 S 8/2017 Zou
- D794,750 S * 8/2017 Zou D23/209
- D795,995 S 8/2017 Zou



(56)

References Cited

U.S. PATENT DOCUMENTS

D813,357 S	*	3/2018	Bryant	D23/262
D820,948 S		6/2018	An et al.	
D831,786 S		10/2018	Zou	
D831,788 S		10/2018	Zou	
D845,433 S	*	4/2019	Zou	D23/209
D852,929 S		7/2019	Nelson et al.	
D856,472 S		8/2019	Zou	
D856,473 S		8/2019	Zou	
D856,474 S	*	8/2019	Zou	B01D 35/30 D23/209
D857,157 S		8/2019	Zou	
D857,158 S		8/2019	Zou	
D857,840 S	*	8/2019	Lu	D23/209
D857,841 S		8/2019	Lu	
D858,691 S		9/2019	Zou	
D858,692 S		9/2019	Zou	
D858,693 S		9/2019	Zou	
D858,694 S		9/2019	Zou	

* cited by examiner

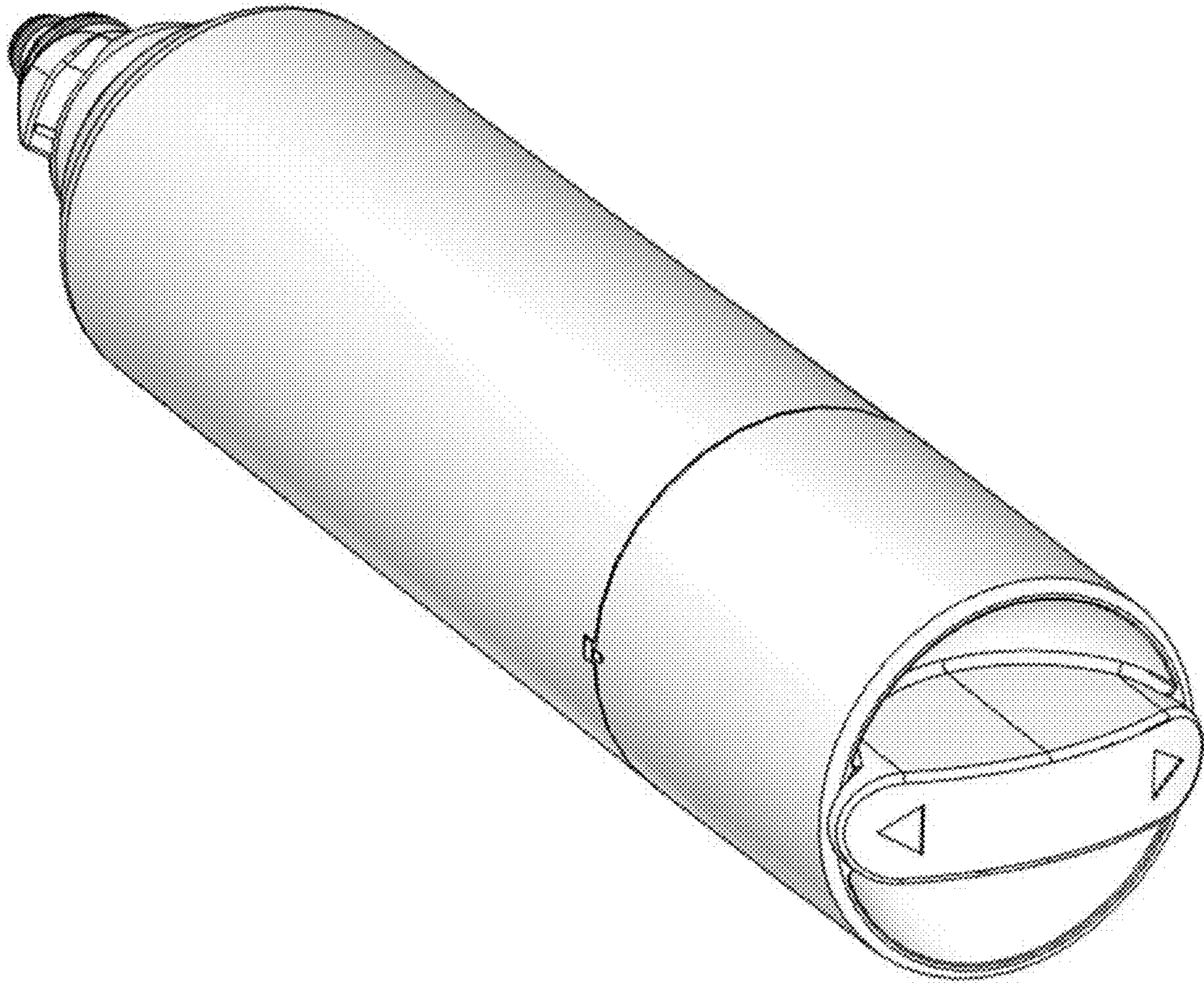


Figure 1

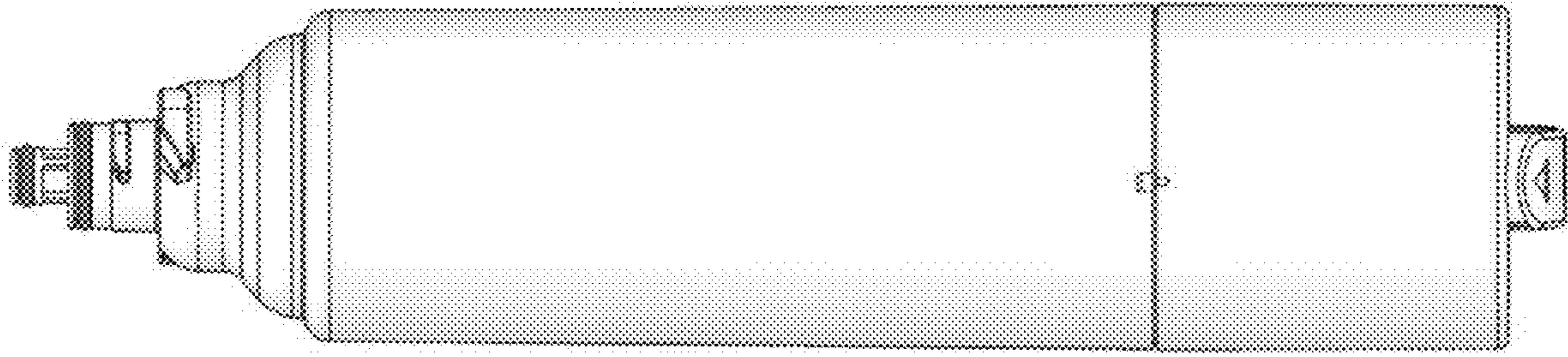


Figure 2

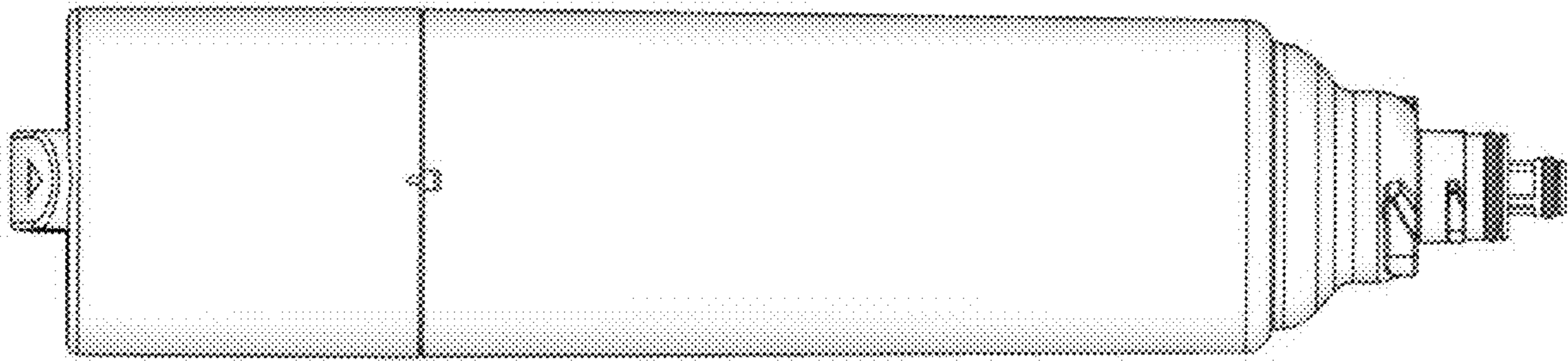


Figure 3

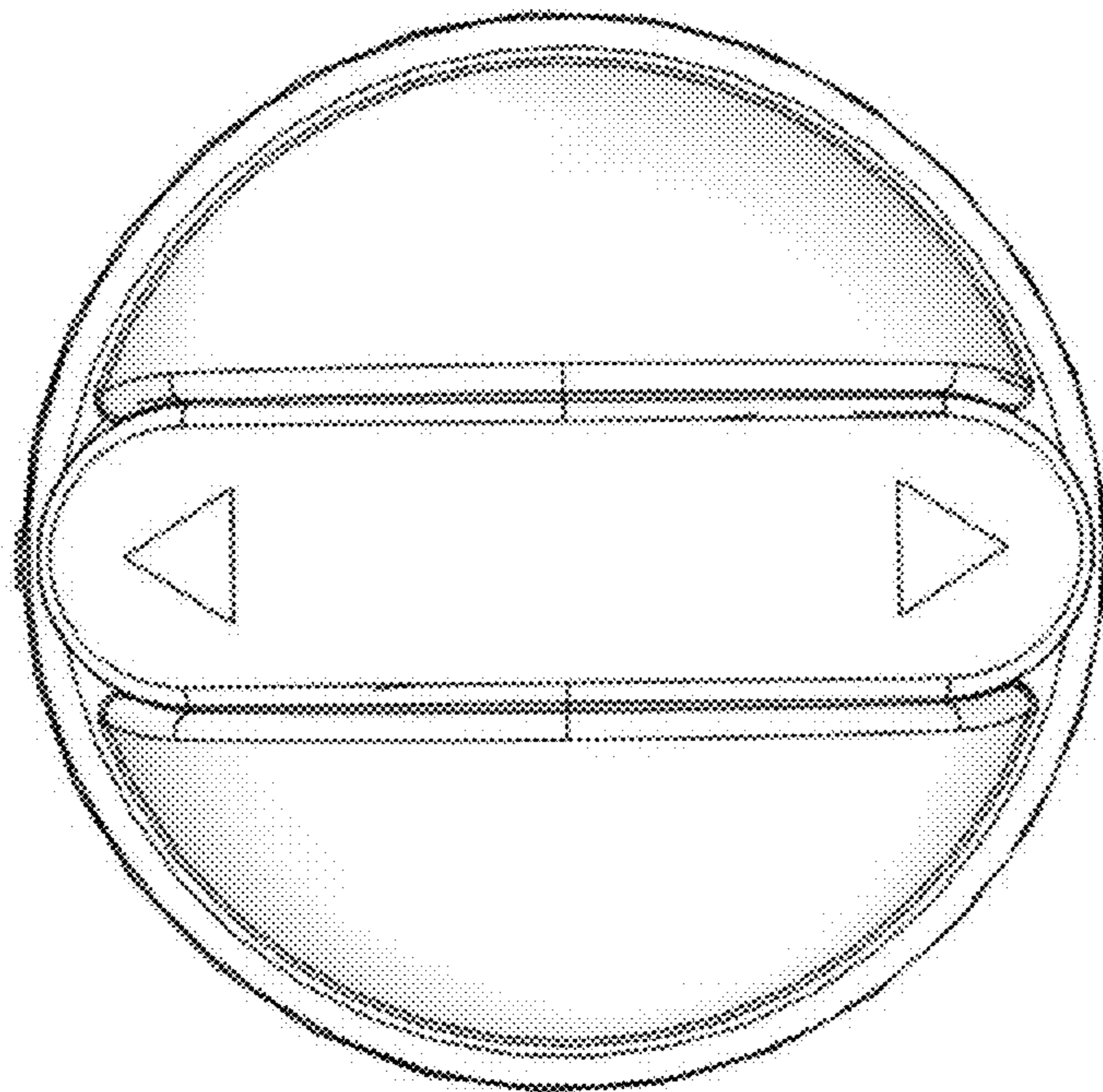


Figure 4

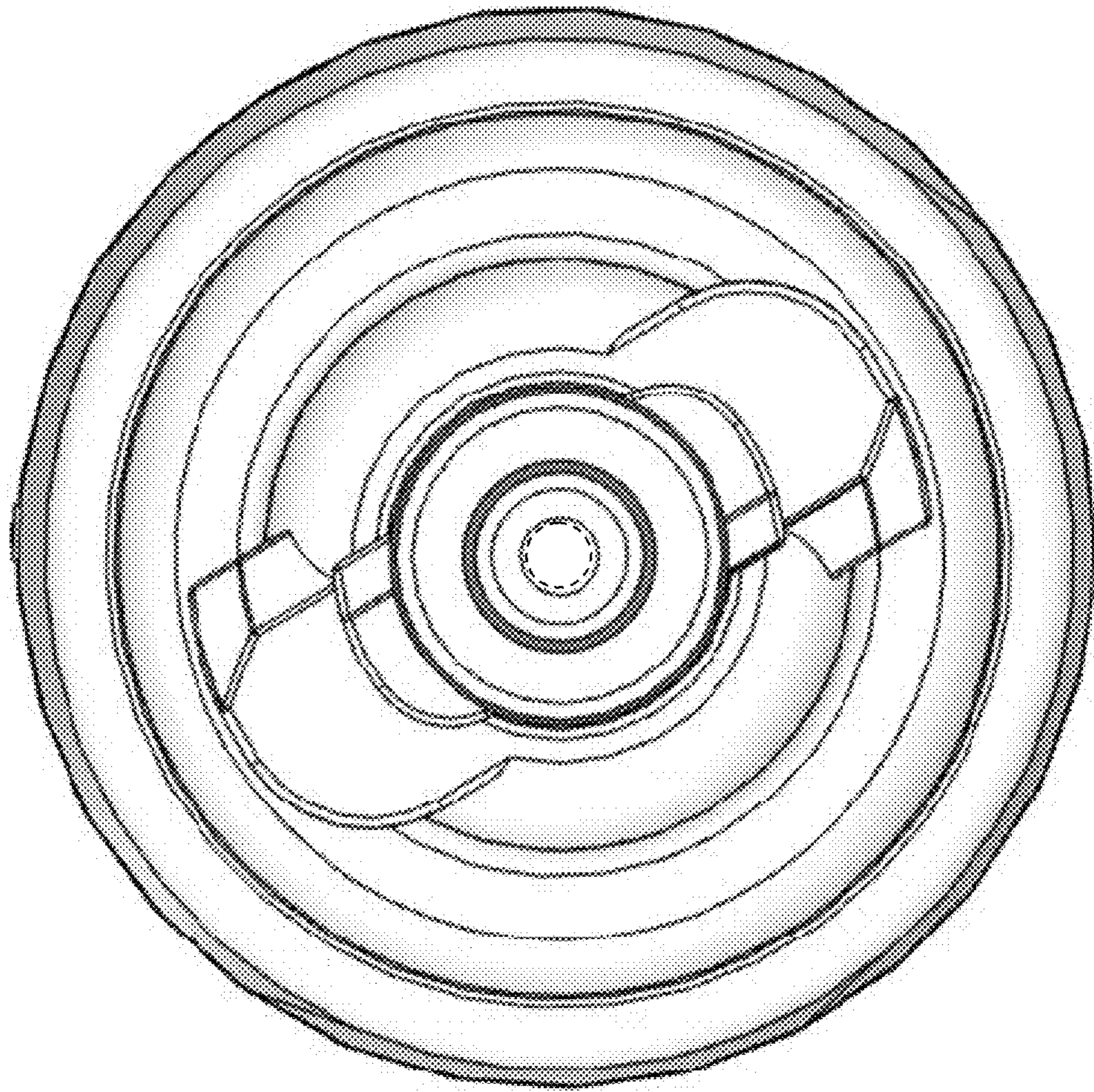


Figure 5

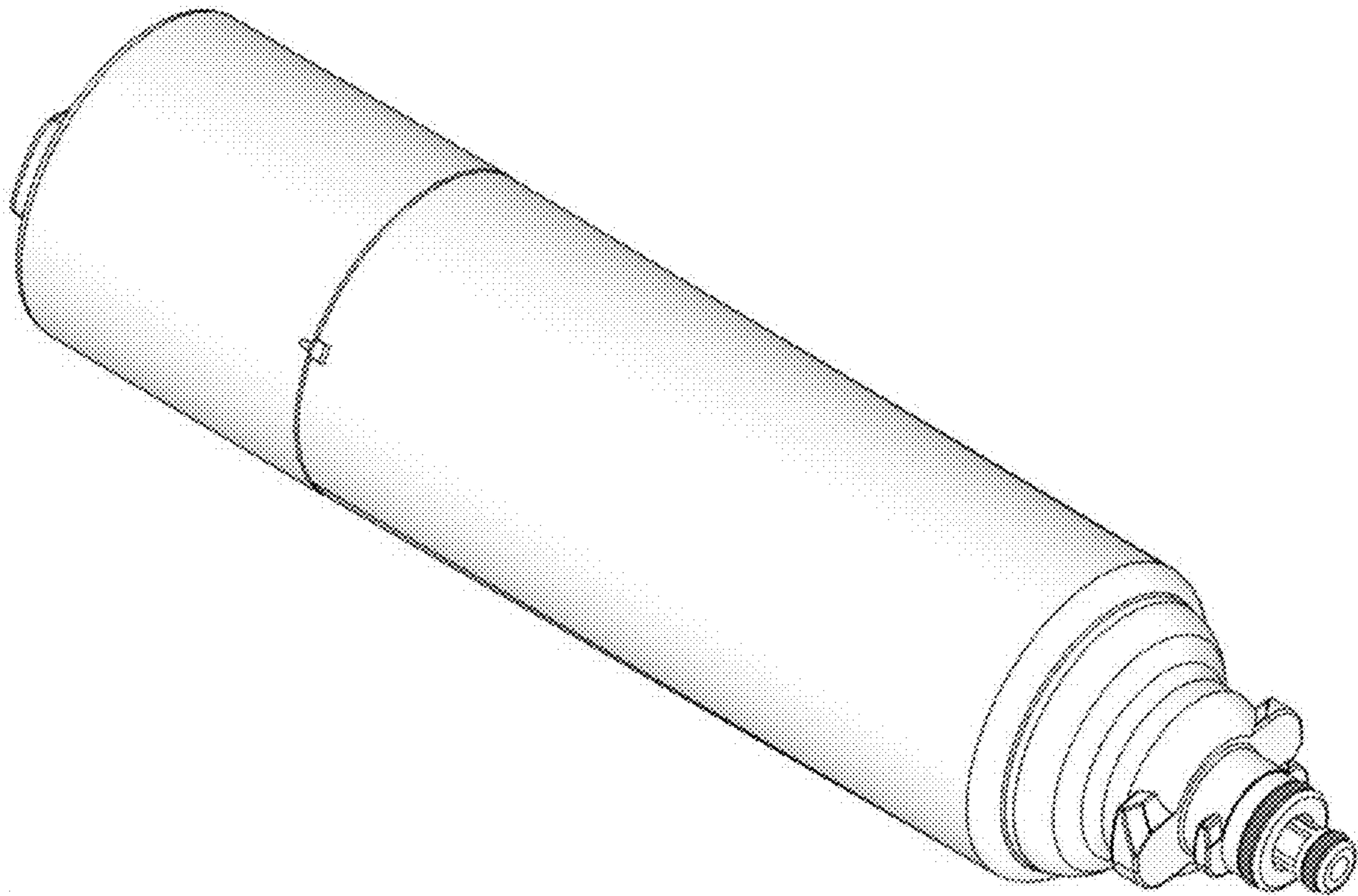


Figure 6

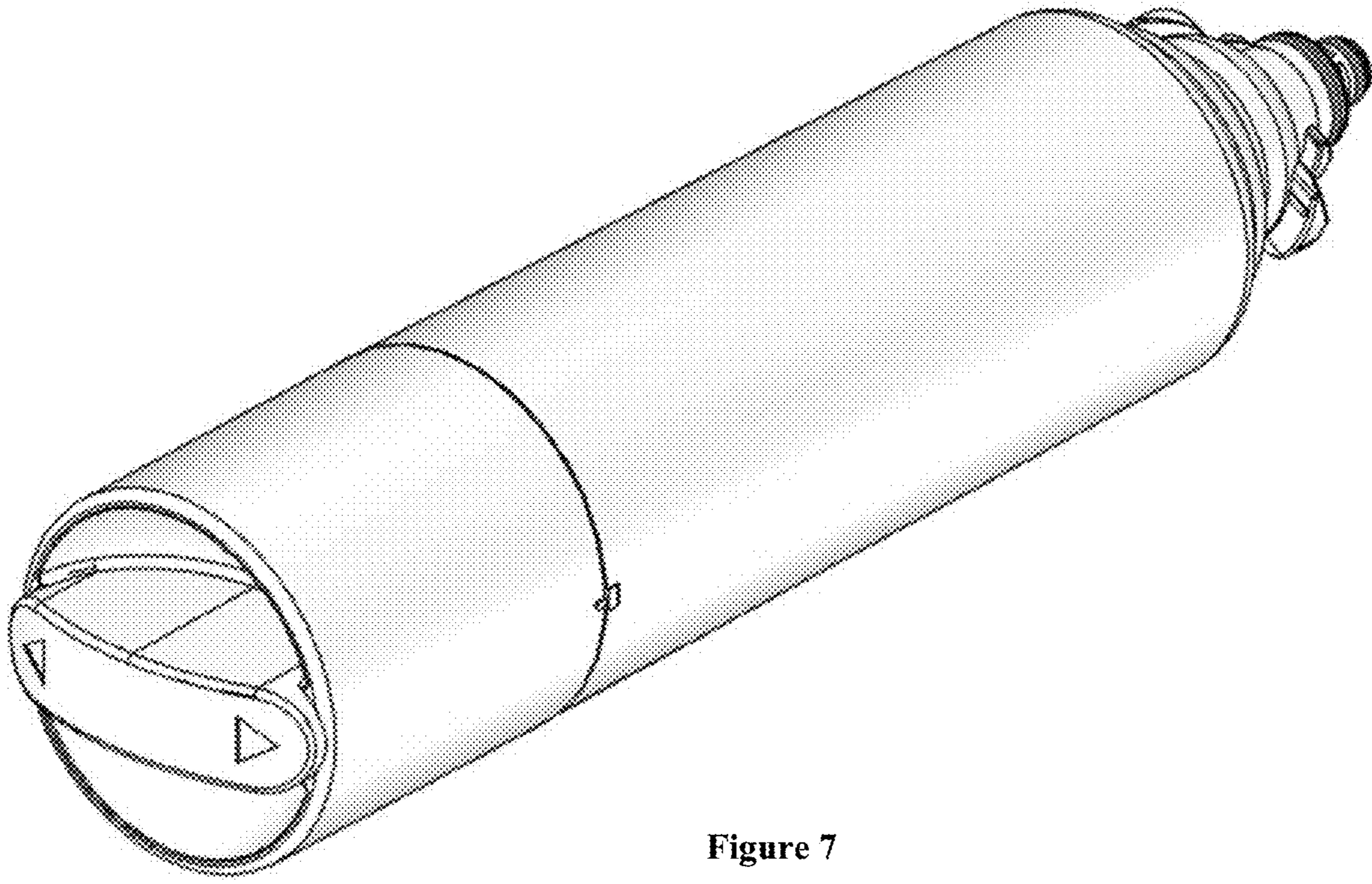


Figure 7

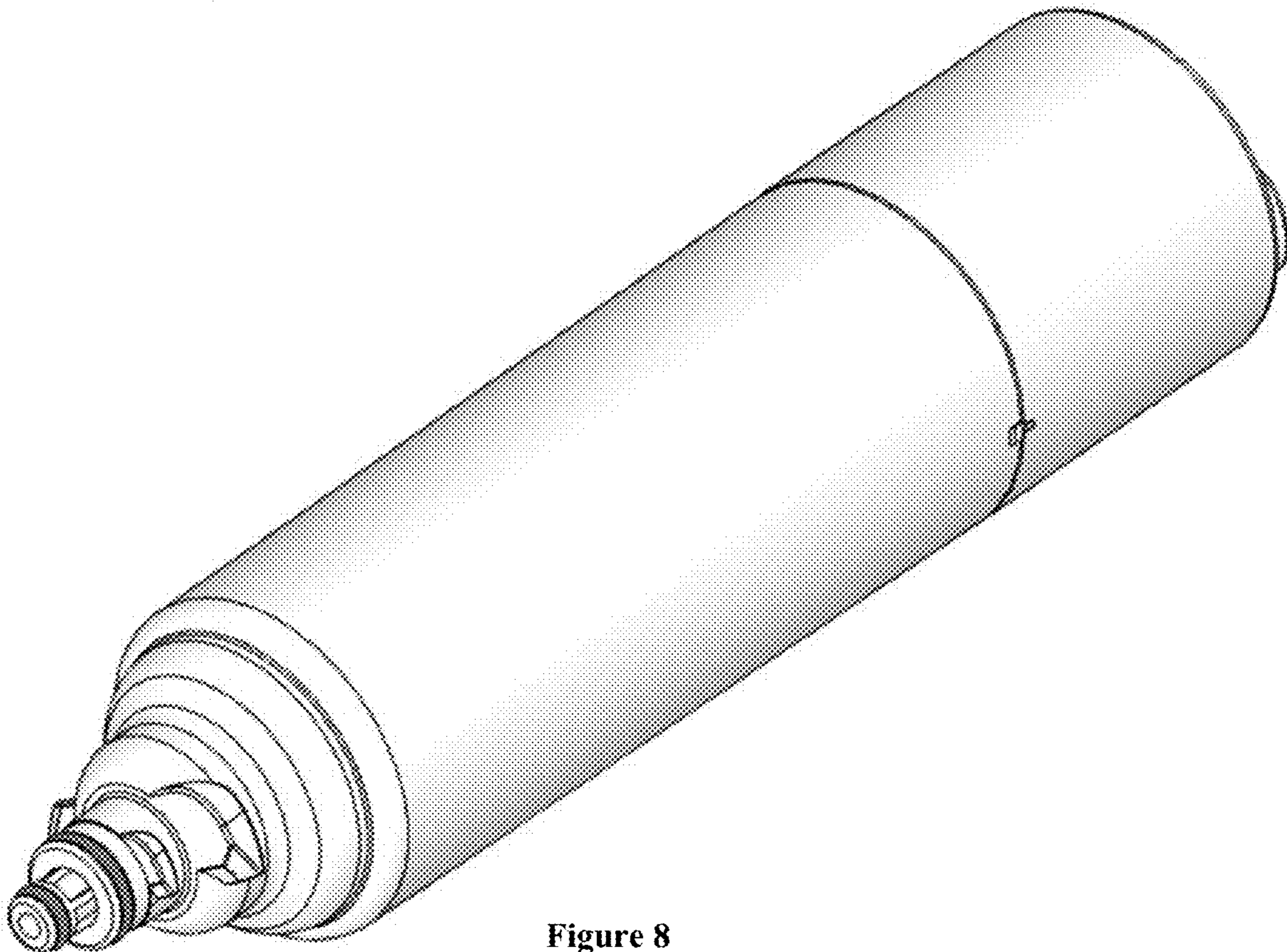


Figure 8

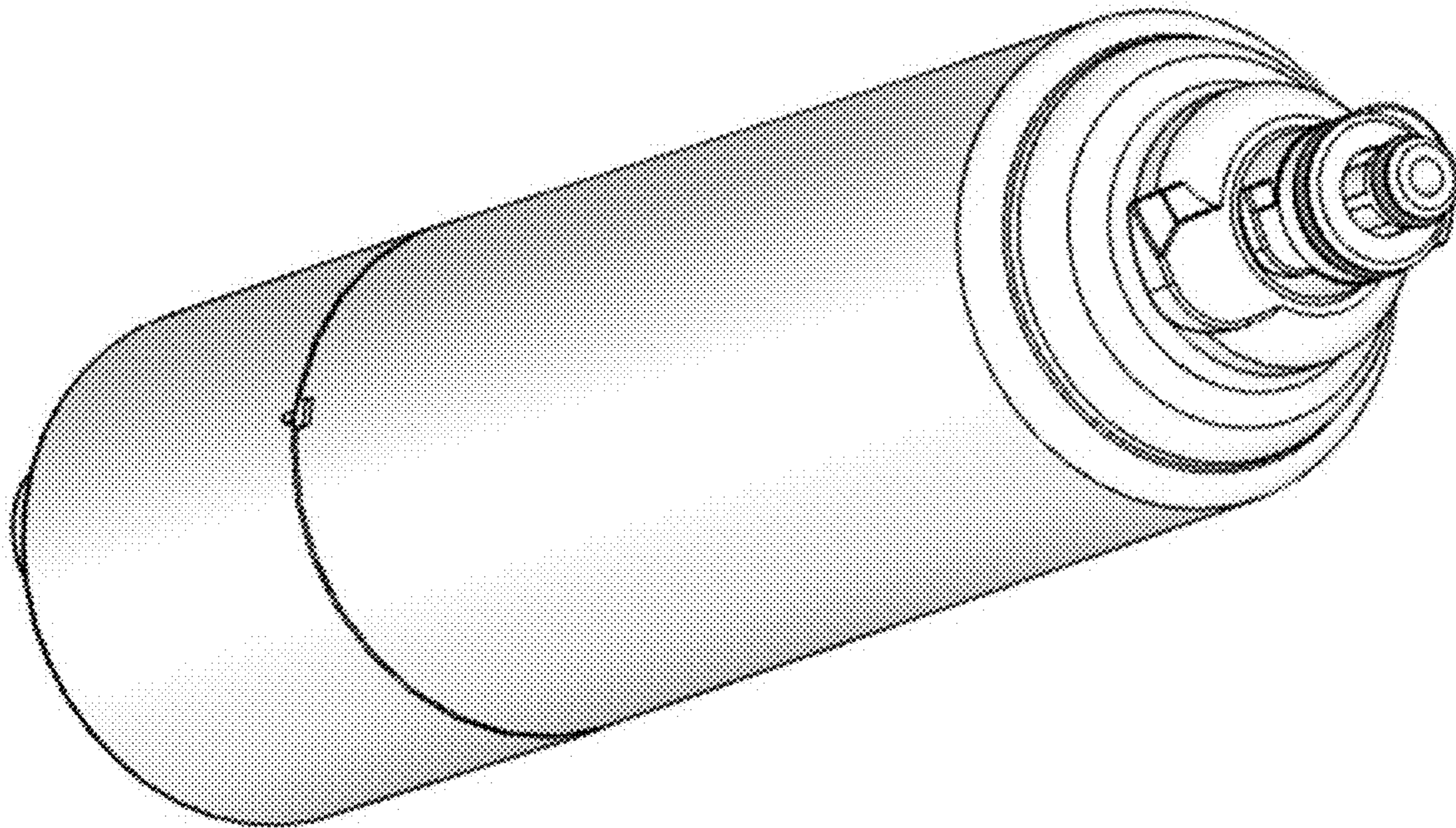


Figure 9

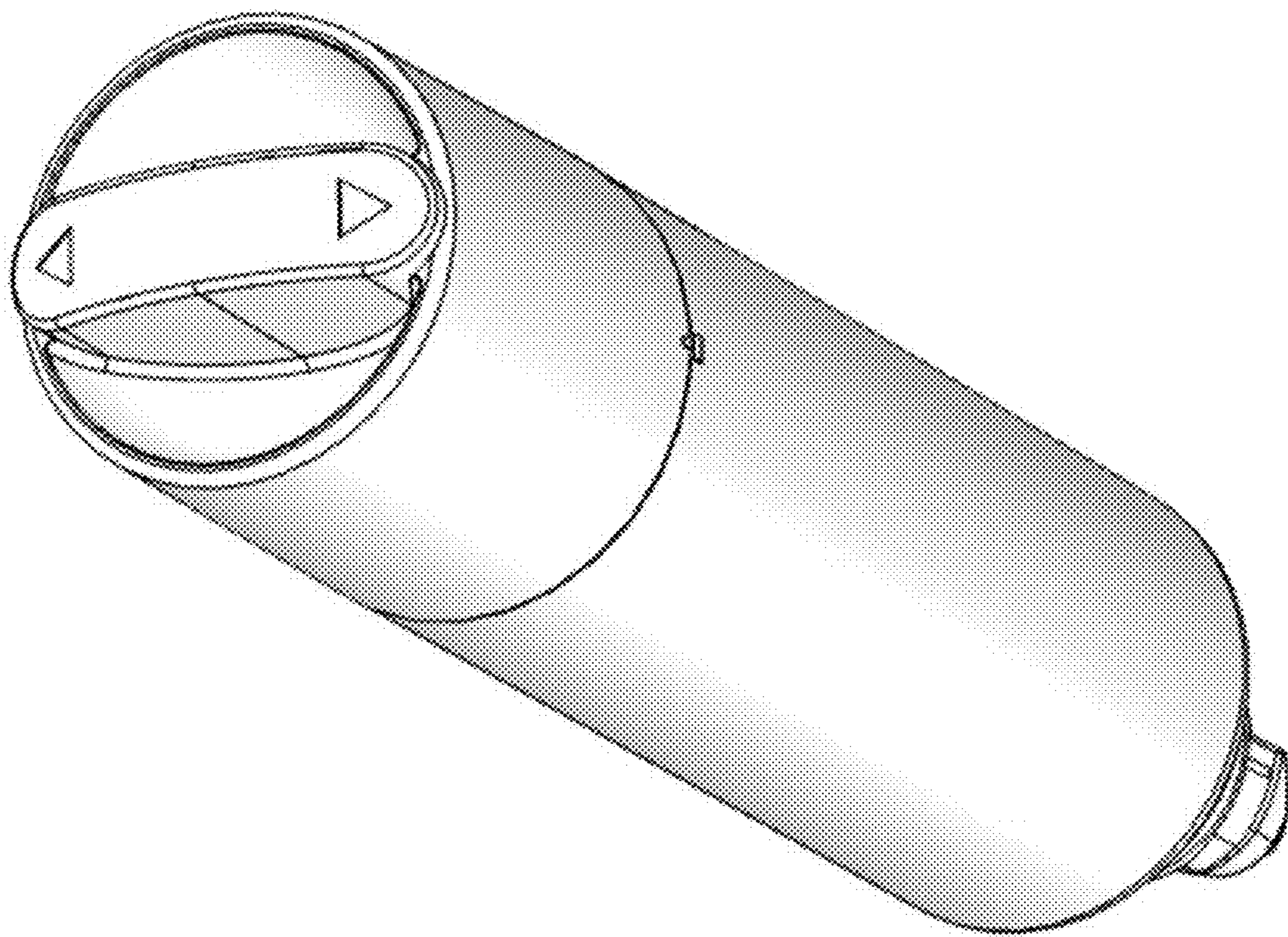


Figure 10

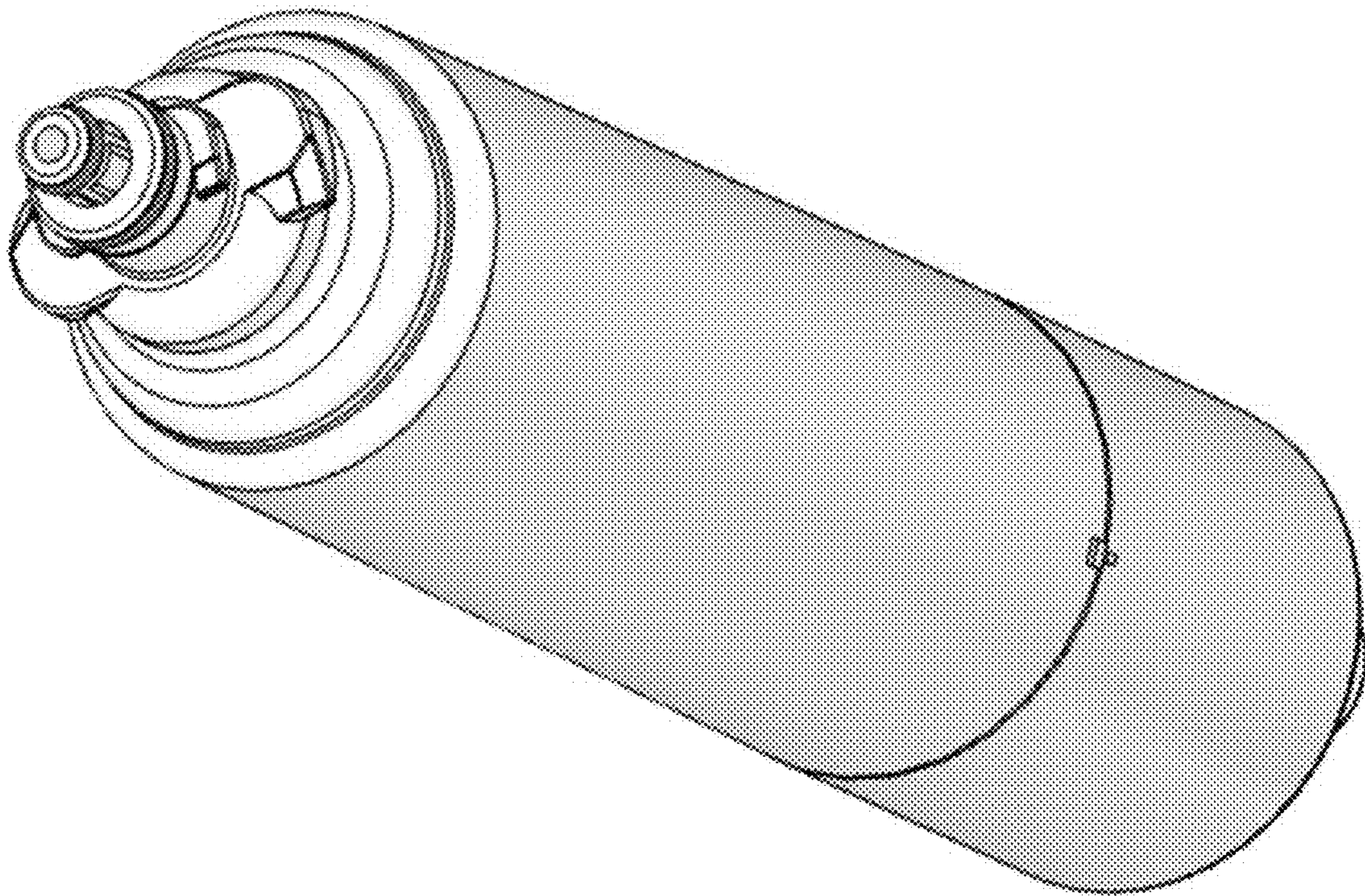


Figure 11

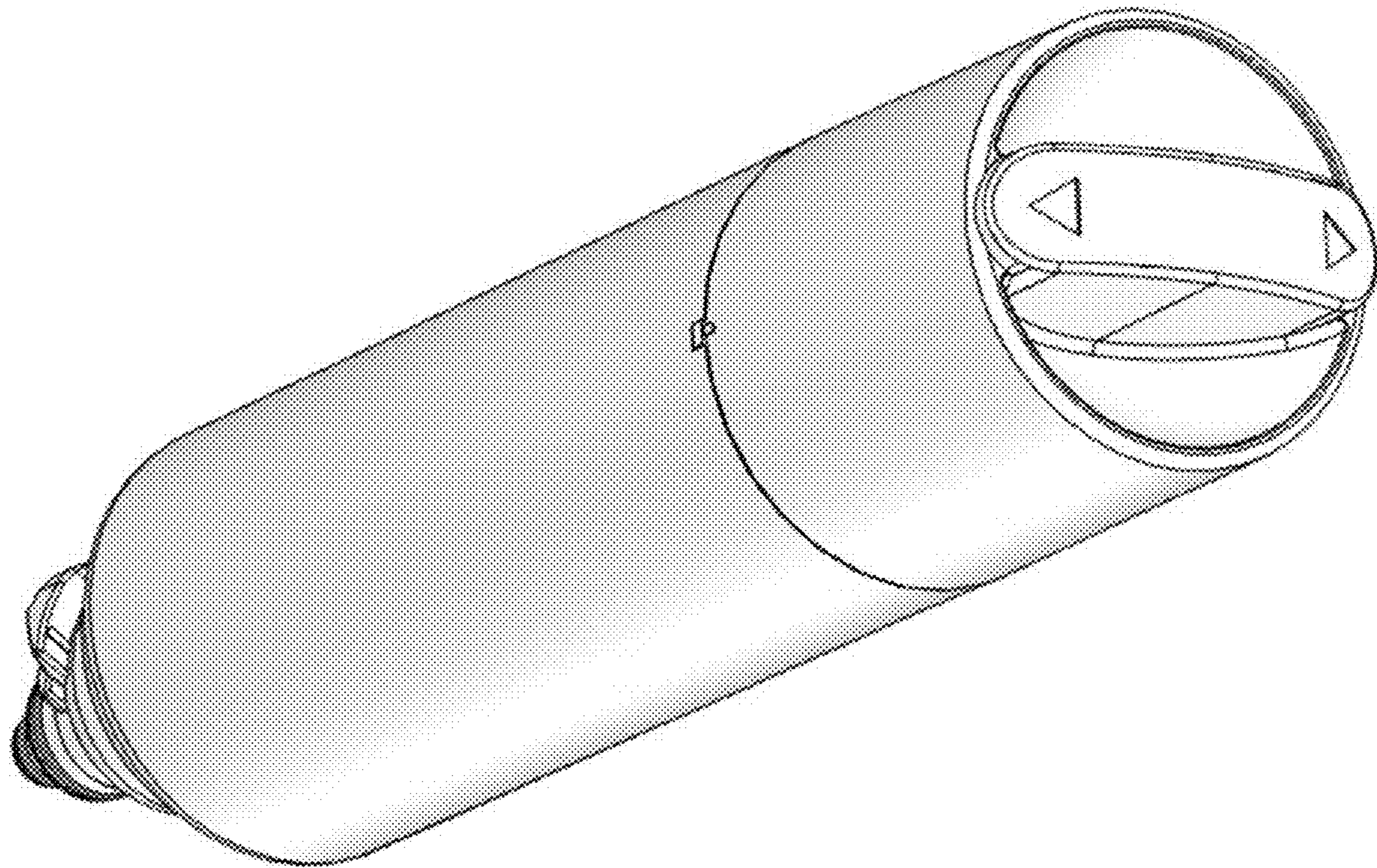


Figure 12

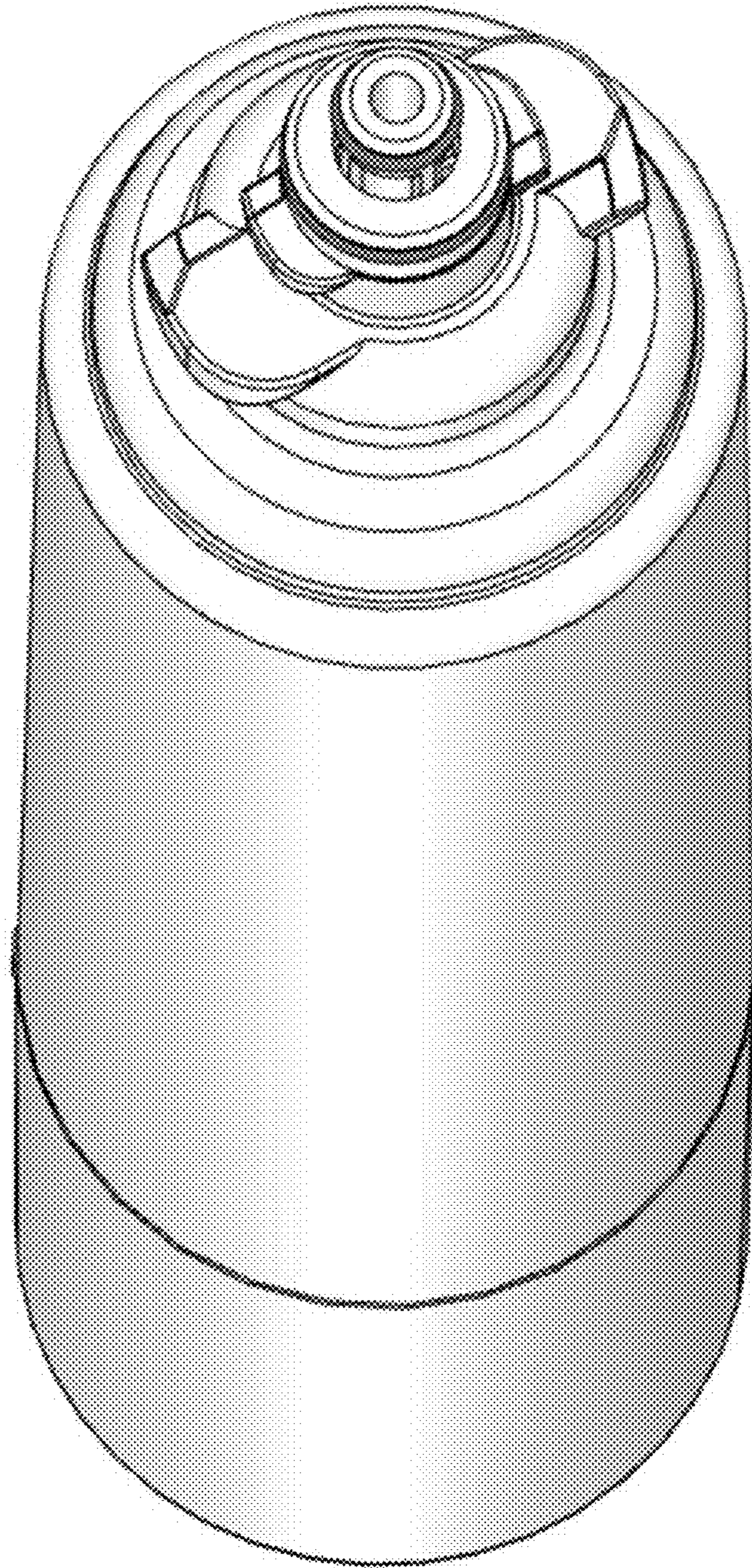


Figure 13

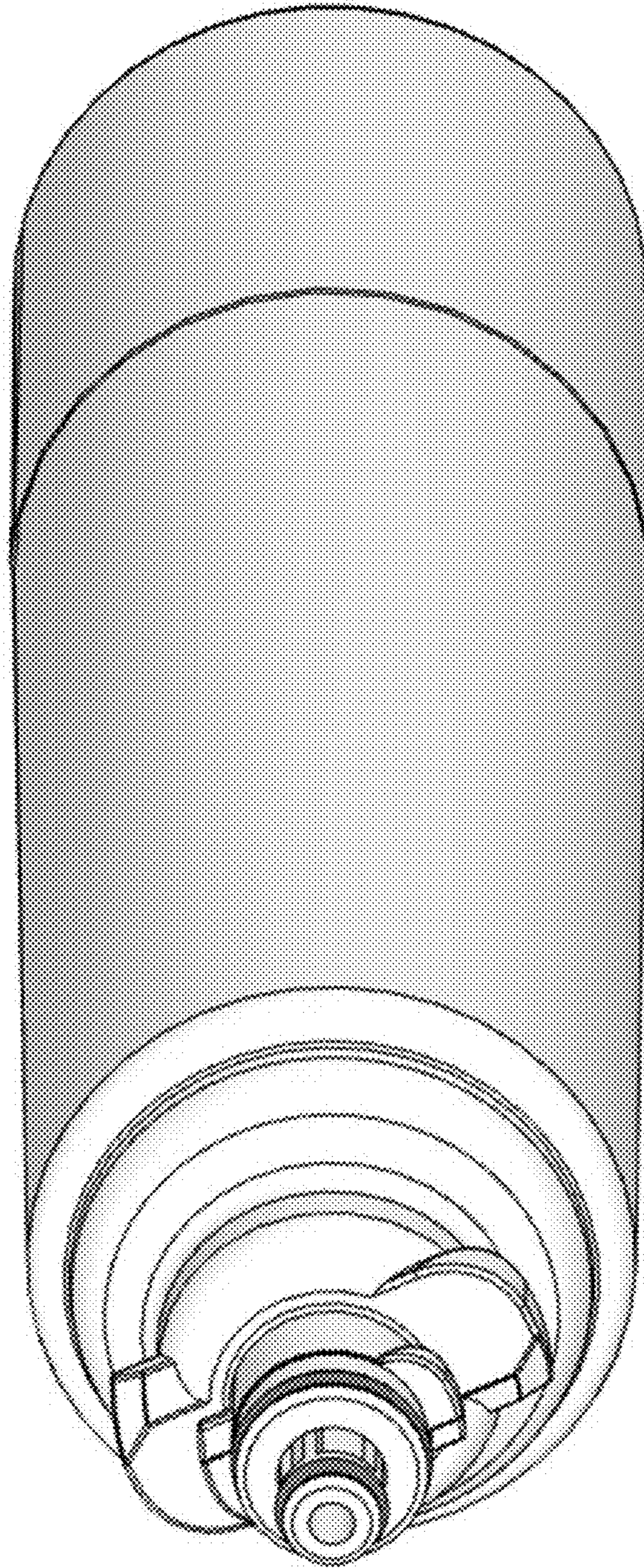


Figure 14