



US00D894331S

(12) **United States Design Patent** (10) **Patent No.:** **US D894,331 S**
Tanaka (45) **Date of Patent:** **** *Aug. 25, 2020**

(54) **FILTER**
(71) Applicant: **SMC CORPORATION**, Chiyoda-ku (JP)
(72) Inventor: **Takayuki Tanaka**, Tsukuba (JP)
(73) Assignee: **SMC CORPORATION**, Chiyoda-ku (JP)
(*) Notice: This patent is subject to a terminal disclaimer.
(**) Term: **15 Years**

D400,211 S * 10/1998 Thallemer D15/7
D402,023 S * 12/1998 Thallemer D23/365
D659,814 S * 5/2012 Yamase D23/365
D659,815 S * 5/2012 Yamase D23/365
D659,816 S * 5/2012 Ito D23/365
D662,196 S * 6/2012 Ito D23/365
D662,197 S * 6/2012 Ito D23/365
D820,396 S * 6/2018 Armstrong D23/235
D820,956 S * 6/2018 Ito D23/235
10,203,048 B2 * 2/2019 Matsushita F16T 1/14
D842,433 S * 3/2019 Ito D23/235
D844,107 S * 3/2019 Ito D23/233
D844,108 S * 3/2019 Ito D23/235
D849,195 S * 5/2019 Matsushita D23/233
D850,579 S * 6/2019 Ito D23/209
D851,213 S * 6/2019 Matsushita D23/233

(Continued)

(21) Appl. No.: **29/671,157**
(22) Filed: **Nov. 23, 2018**
(30) **Foreign Application Priority Data**
May 29, 2018 (JP) 2018-011703
(51) **LOC (12) Cl.** **23-01**
(52) **U.S. Cl.**
USPC **D23/209**
(58) **Field of Classification Search**
USPC D23/202, 205, 207, 259, 260, 262
CPC B01D 2201/29; B01D 2201/30; B01D
2201/301; B01D 2201/302; B01D
2201/306; B01D 2201/309; B01D 35/30;
C02F 1/002; C02F 1/003
See application file for complete search history.

Primary Examiner — Sheryl Lane
Assistant Examiner — Calvin E Vansant
(74) *Attorney, Agent, or Firm* — Oblon, McClelland,
Maier & Neustadt, L.L.P.

(57) **CLAIM**

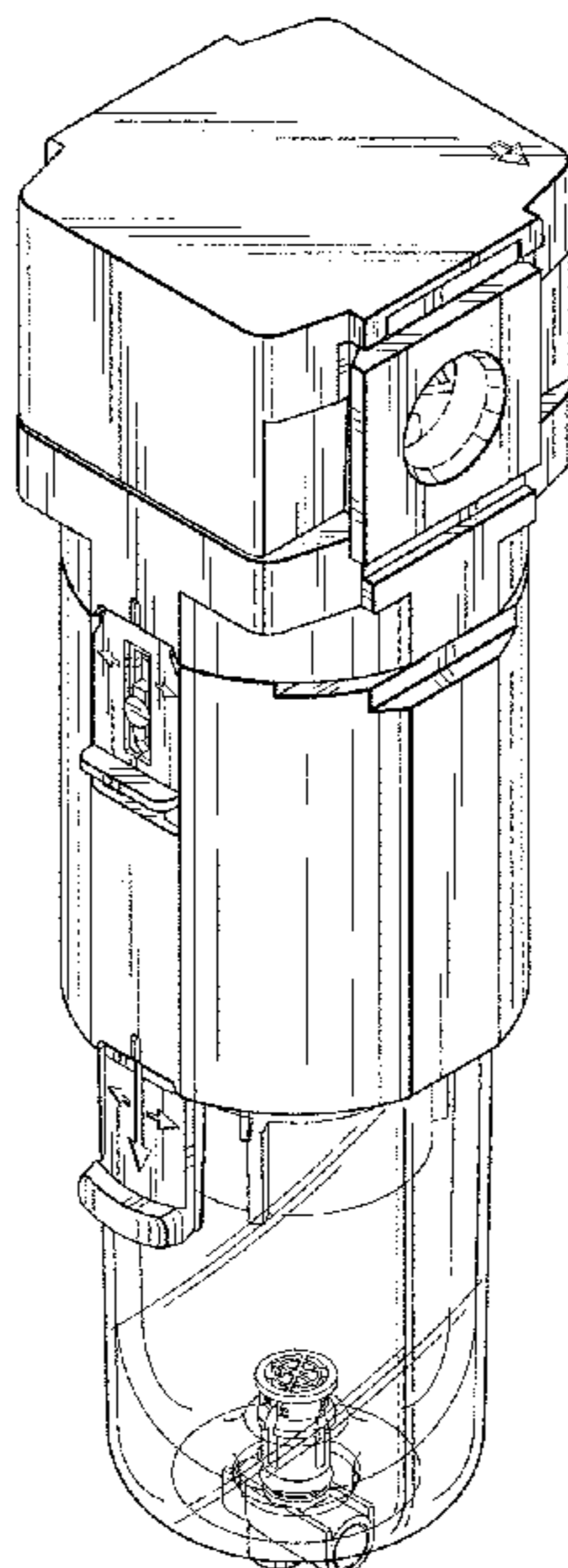
The ornamental design for a filter, as shown and described.

DESCRIPTION

FIG. 1 is a front, top, and right side perspective view of a filter;
FIG. 2 is a rear, bottom, and left side perspective view thereof;
FIG. 3 is a front elevational view thereof;
FIG. 4 is a rear elevational view thereof;
FIG. 5 is a top plan view thereof;
FIG. 6 is a bottom plan view thereof;
FIG. 7 is a left side elevational view thereof;
FIG. 8 is a right side elevational view thereof; and,
FIG. 9 is a view of a section taken at line 9-9 in FIG. 3.
The broken lines shown in the figures are for the purpose of illustrating portions of the filter that form no part of the claimed design.

1 Claim, 8 Drawing Sheets

(56) **References Cited**
U.S. PATENT DOCUMENTS
D301,914 S * 6/1989 Ogasawara D10/85
D317,315 S * 6/1991 Miyake D15/150
D317,346 S * 6/1991 Ito D23/209
D317,644 S * 6/1991 Ito D15/150
D318,713 S * 7/1991 Miyake D23/209



(56)

References Cited

U.S. PATENT DOCUMENTS

D853,526 S * 7/2019 Ito D23/235
D854,126 S * 7/2019 Ito D23/235

* cited by examiner

FIG. 1

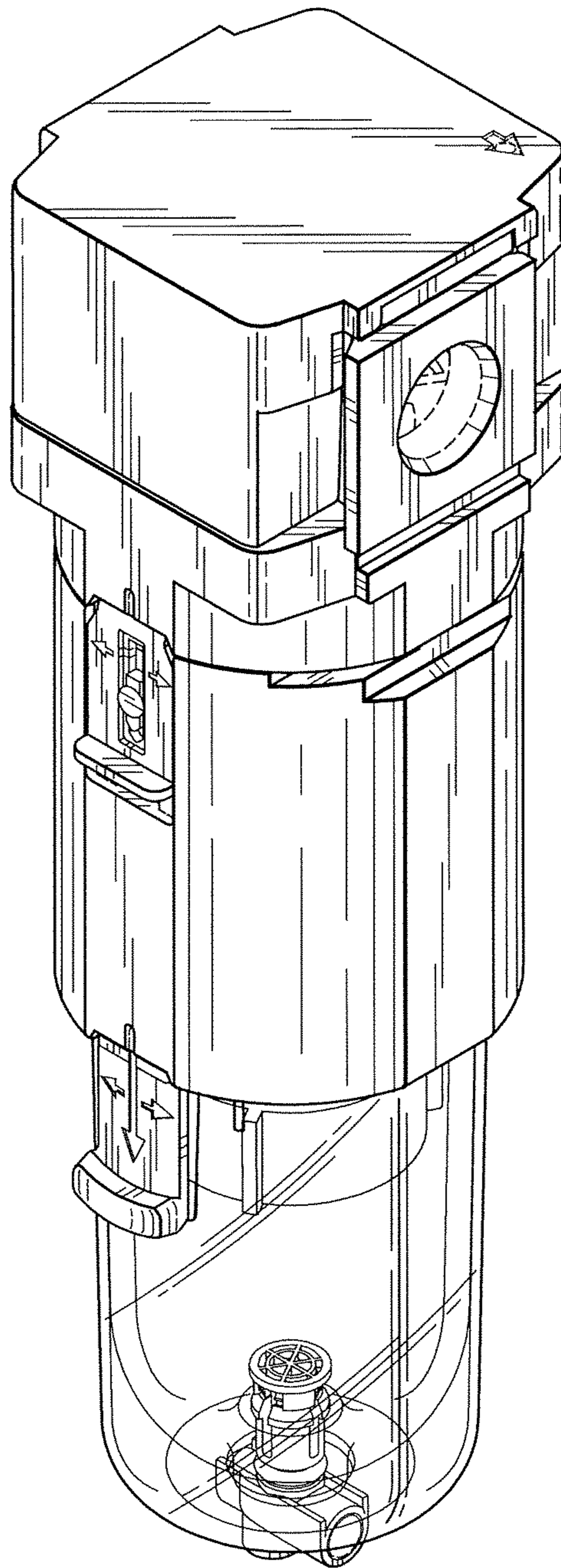


FIG. 2

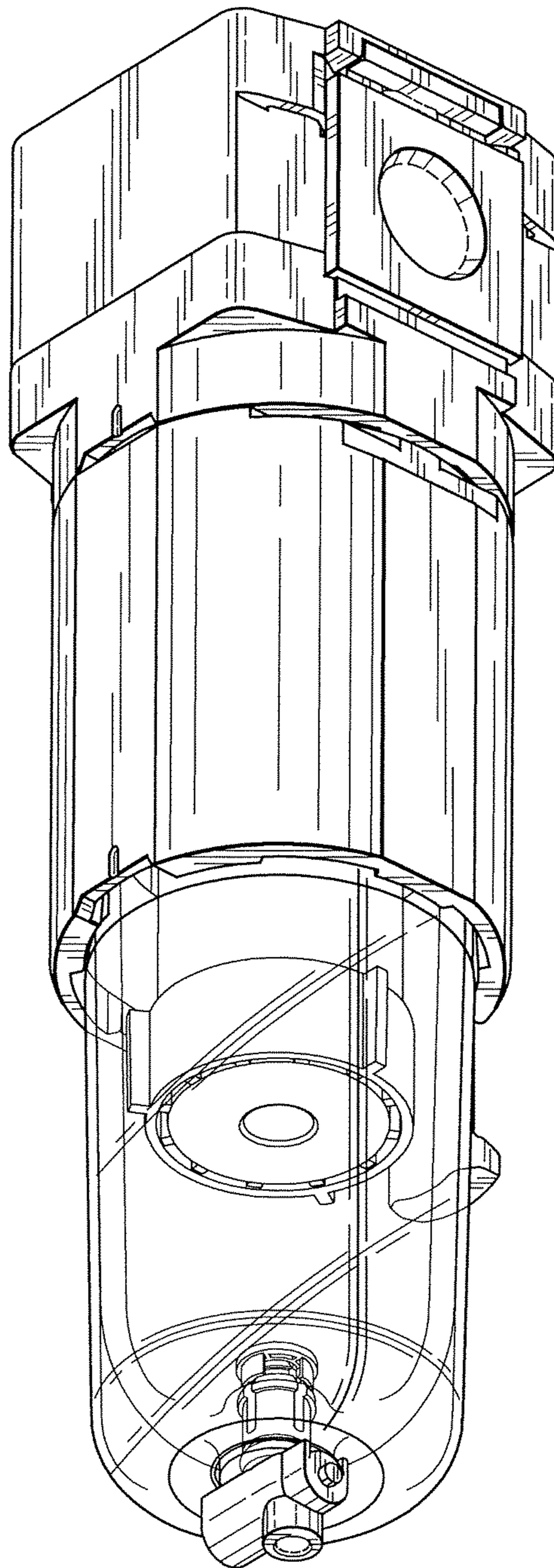


FIG. 3

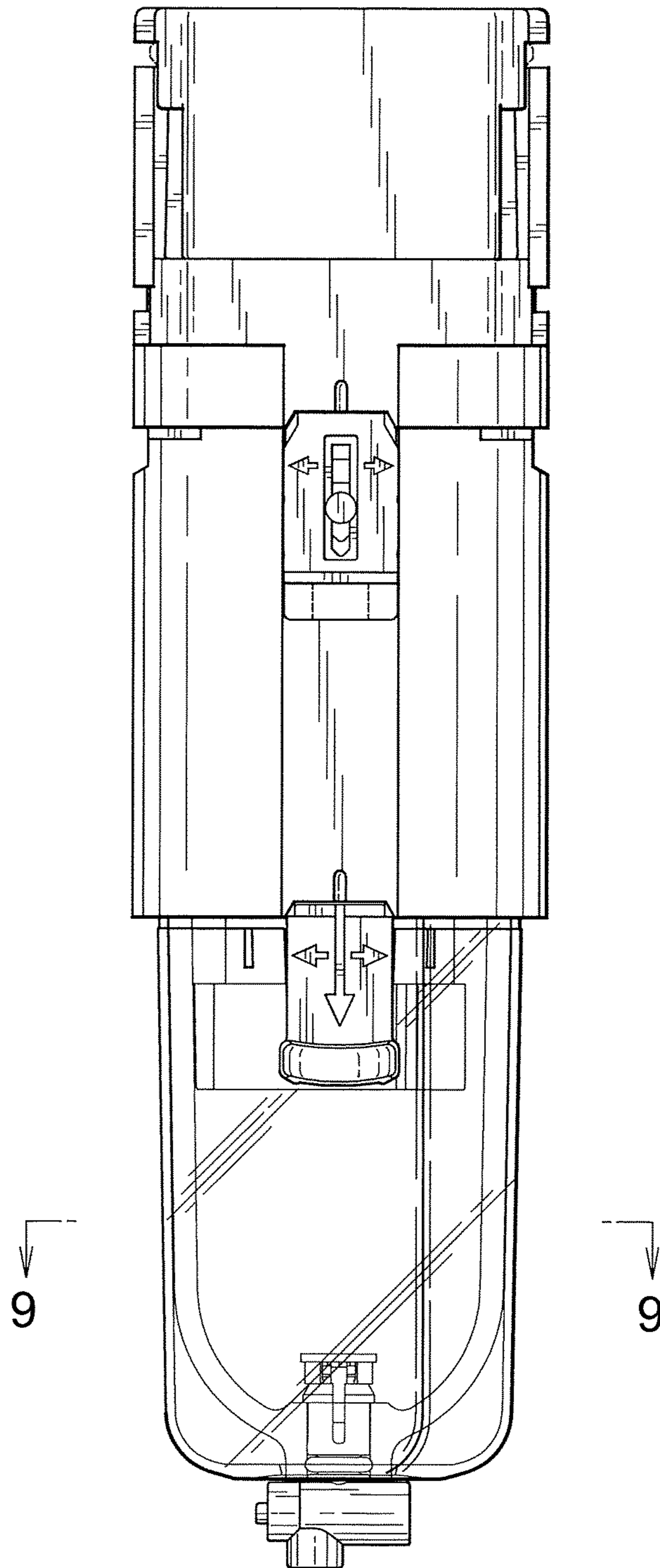


FIG. 4

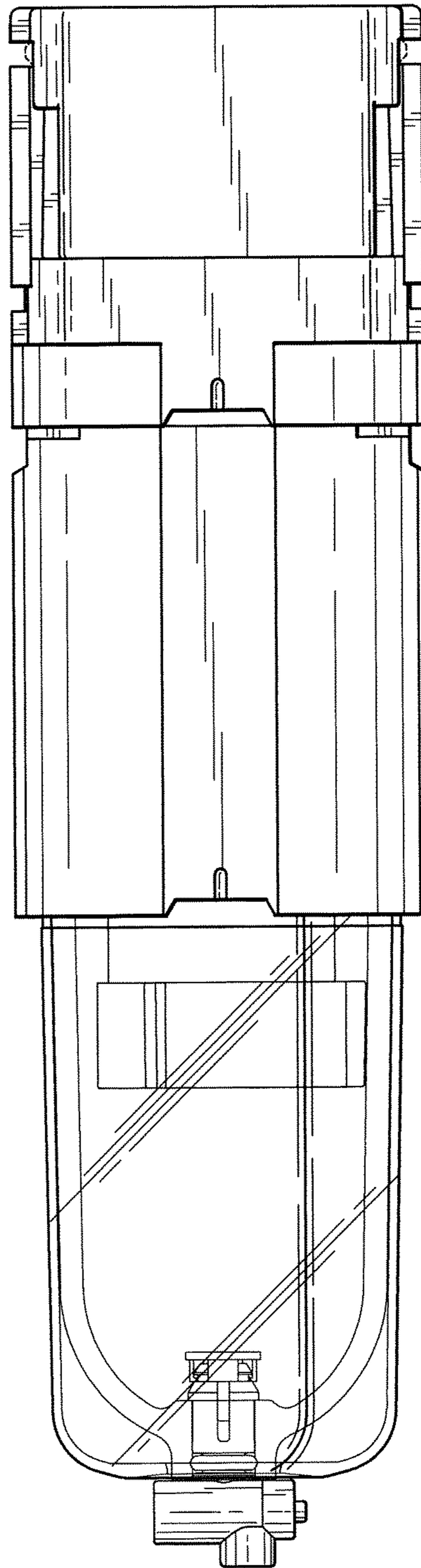


FIG. 5

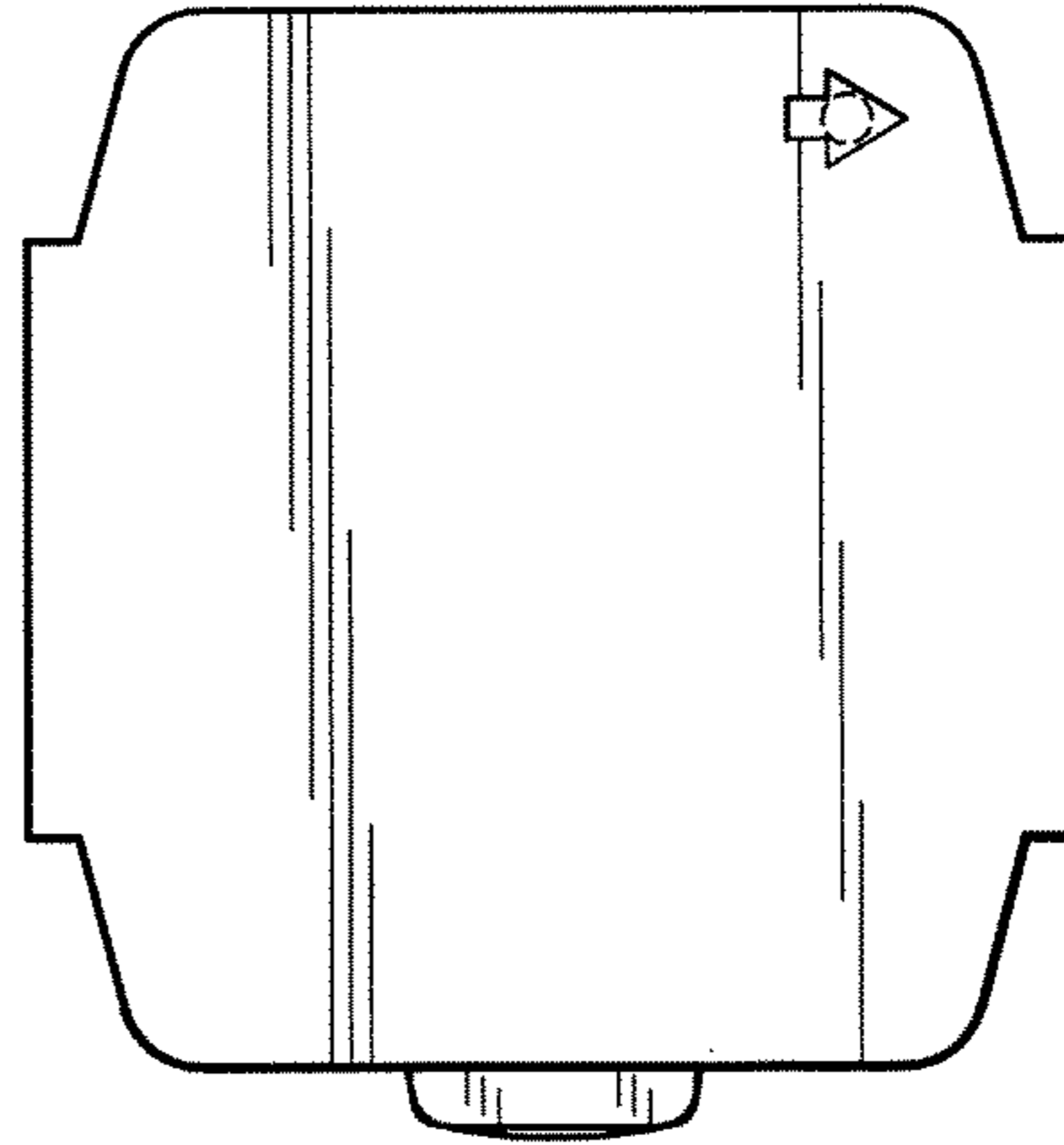


FIG. 6

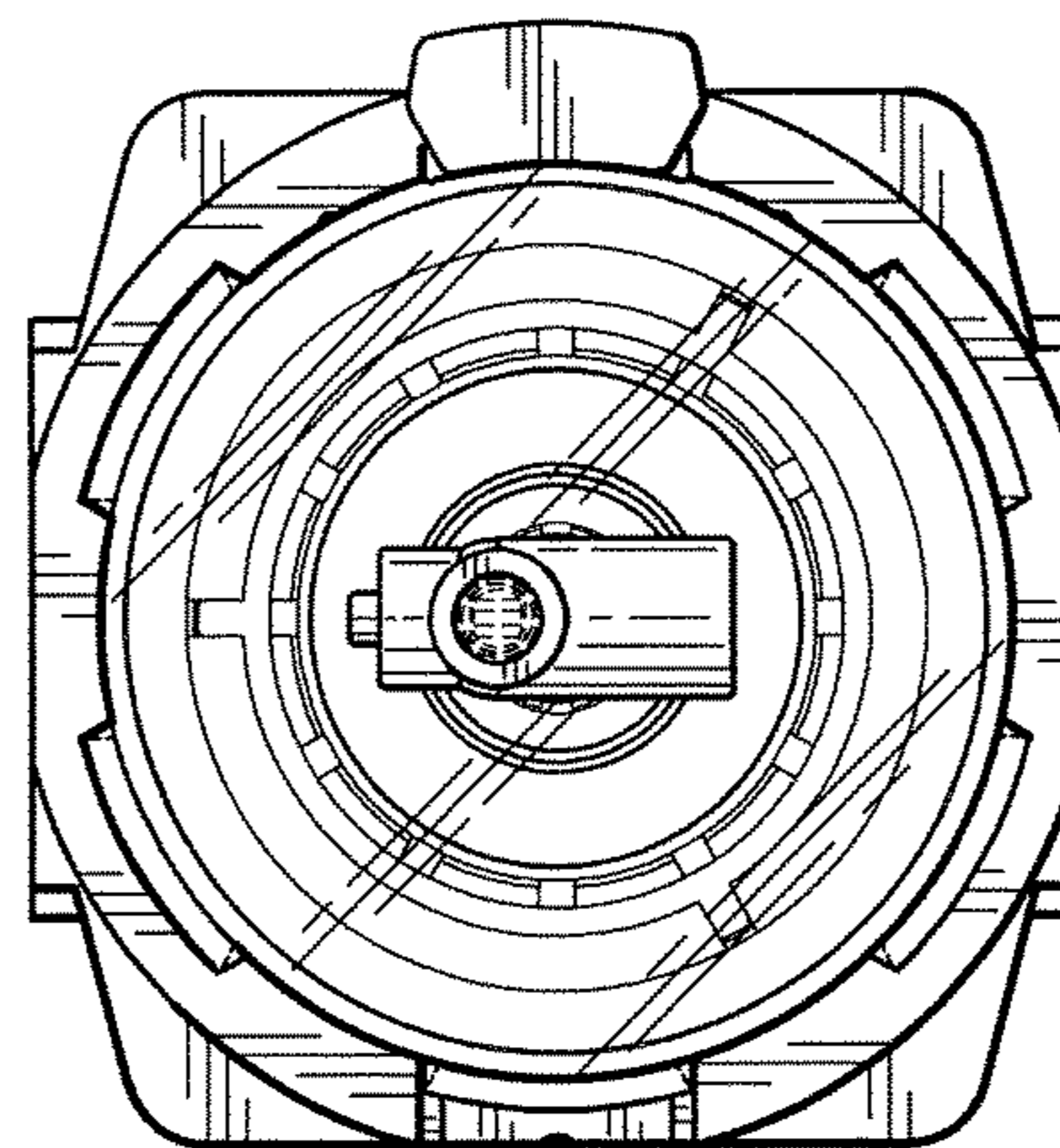


FIG. 7

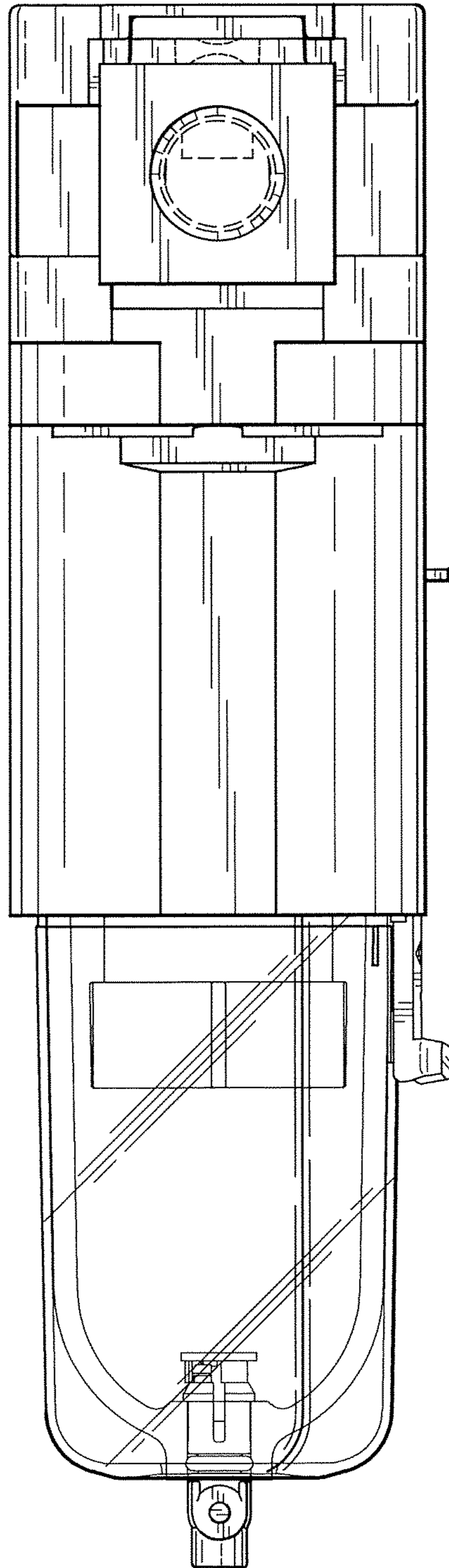


FIG. 8

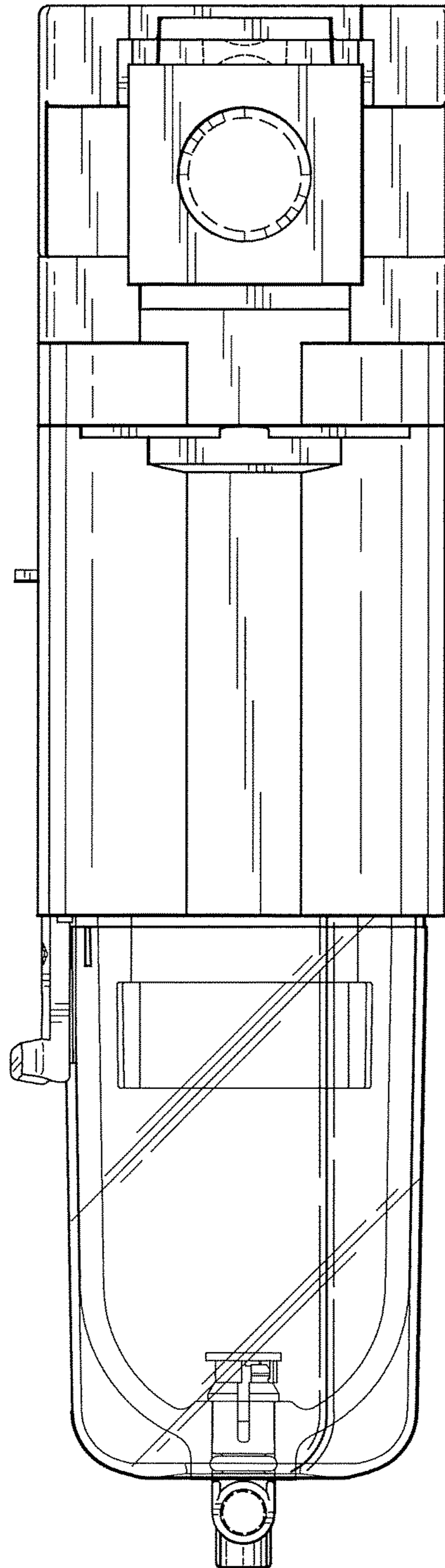


FIG. 9

