

US00D894330S

(12) **United States Design Patent** (10) **Patent No.:** **US D894,330 S**
Tanaka (45) **Date of Patent:** **** *Aug. 25, 2020**

- (54) **FILTER**
- (71) Applicant: **SMC CORPORATION**, Chiyoda-ku (JP)
- (72) Inventor: **Takayuki Tanaka**, Tsukuba (JP)
- (73) Assignee: **SMC CORPORATION**, Chiyoda-ku (JP)
- (*) Notice: This patent is subject to a terminal disclaimer.
- (**) Term: **15 Years**
- (21) Appl. No.: **29/671,155**
- (22) Filed: **Nov. 23, 2018**
- (51) **LOC (12) Cl.** **23-01**
- (52) **U.S. Cl.**
USPC **D23/209**
- (58) **Field of Classification Search**
USPC D23/202, 205, 207, 259, 260, 262
CPC B01D 2201/29; B01D 2201/30; B01D 2201/301; B01D 2201/302; B01D 2201/306; B01D 2201/309; B01D 35/30; C02F 1/002; C02F 1/003
See application file for complete search history.

D659,816 S *	5/2012	Ito	D23/365
D662,196 S *	6/2012	Ito	D23/365
D662,197 S *	6/2012	Ito	D23/365
D820,396 S *	6/2018	Armstrong	D23/235
D820,956 S *	6/2018	Ito	D23/235
10,203,048 B2 *	2/2019	Matsushita	F16T 1/14
D842,433 S *	3/2019	Ito	D23/235
D844,107 S *	3/2019	Ito	D23/233
D844,108 S *	3/2019	Ito	D23/235
D849,195 S *	5/2019	Matsushita	D23/233
D850,579 S *	6/2019	Ito	D23/209
D851,213 S *	6/2019	Matsushita	D23/233
D853,526 S *	7/2019	Ito	D23/235
D854,126 S *	7/2019	Ito	D23/235

* cited by examiner

Primary Examiner — Sheryl Lane
Assistant Examiner — Calvin E Vansant
(74) *Attorney, Agent, or Firm* — Oblon, McClelland, Maier & Neustadt, L.L.P.

(57) **CLAIM**

The ornamental design for a filter, as shown and described.

DESCRIPTION

FIG. 1 is a front, top, and right side perspective view of a filter;
FIG. 2 is a rear, bottom, and left side perspective view thereof;
FIG. 3 is a front elevational view thereof;
FIG. 4 is a rear elevational view thereof;
FIG. 5 is a top plan view thereof;
FIG. 6 is a bottom plan view thereof;
FIG. 7 is a left side elevational view thereof;
FIG. 8 is a right side elevational view thereof; and,
FIG. 9 is a view of a section taken at line 9-9 in FIG. 3.
The broken lines shown in the figures are for the purpose of illustrating portions of the filter that form no part of the claimed design.

1 Claim, 8 Drawing Sheets

- (56) **References Cited**
U.S. PATENT DOCUMENTS
- D301,914 S * 6/1989 Ogasawara D10/85
- D317,315 S * 6/1991 Miyake D15/150
- D317,346 S * 6/1991 Ito D23/209
- D317,644 S * 6/1991 Ito D15/150
- D318,713 S * 7/1991 Miyake D23/209
- D400,211 S * 10/1998 Thallemer D15/7
- D402,023 S * 12/1998 Thallemer D23/365
- D659,814 S * 5/2012 Yamase D23/365
- D659,815 S * 5/2012 Yamase D23/365

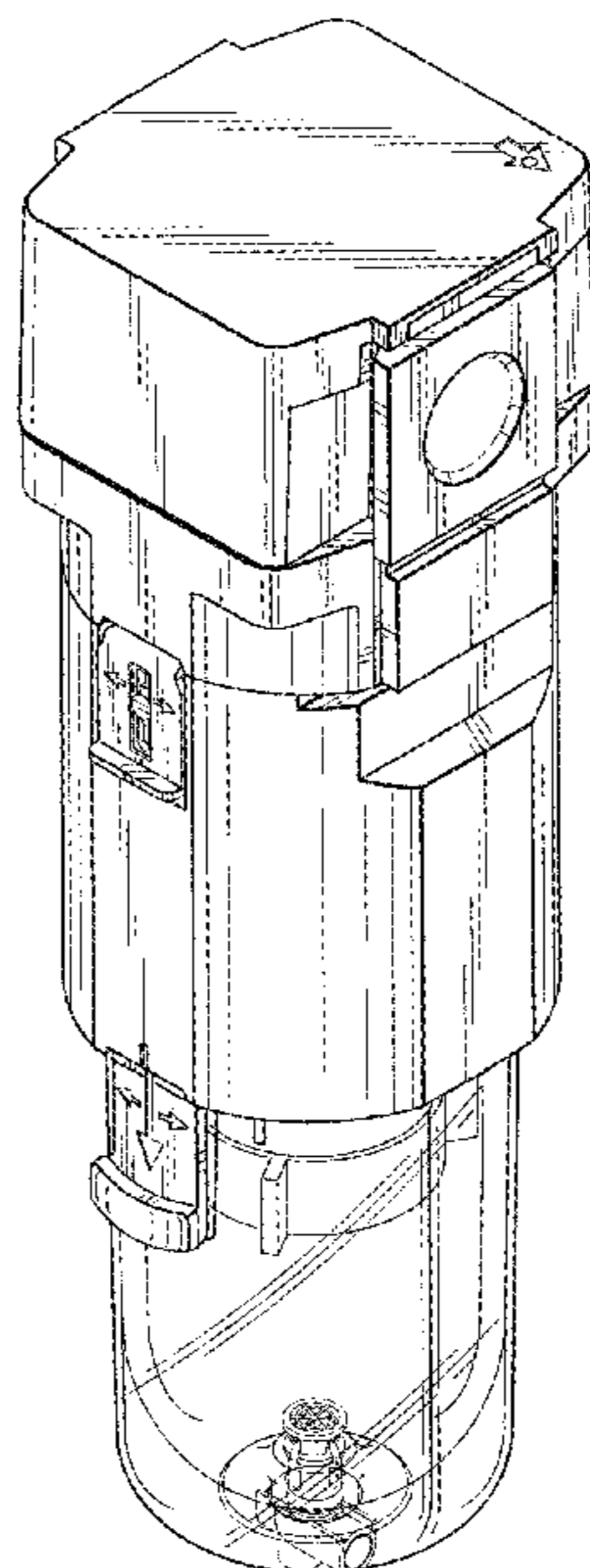


FIG. 1

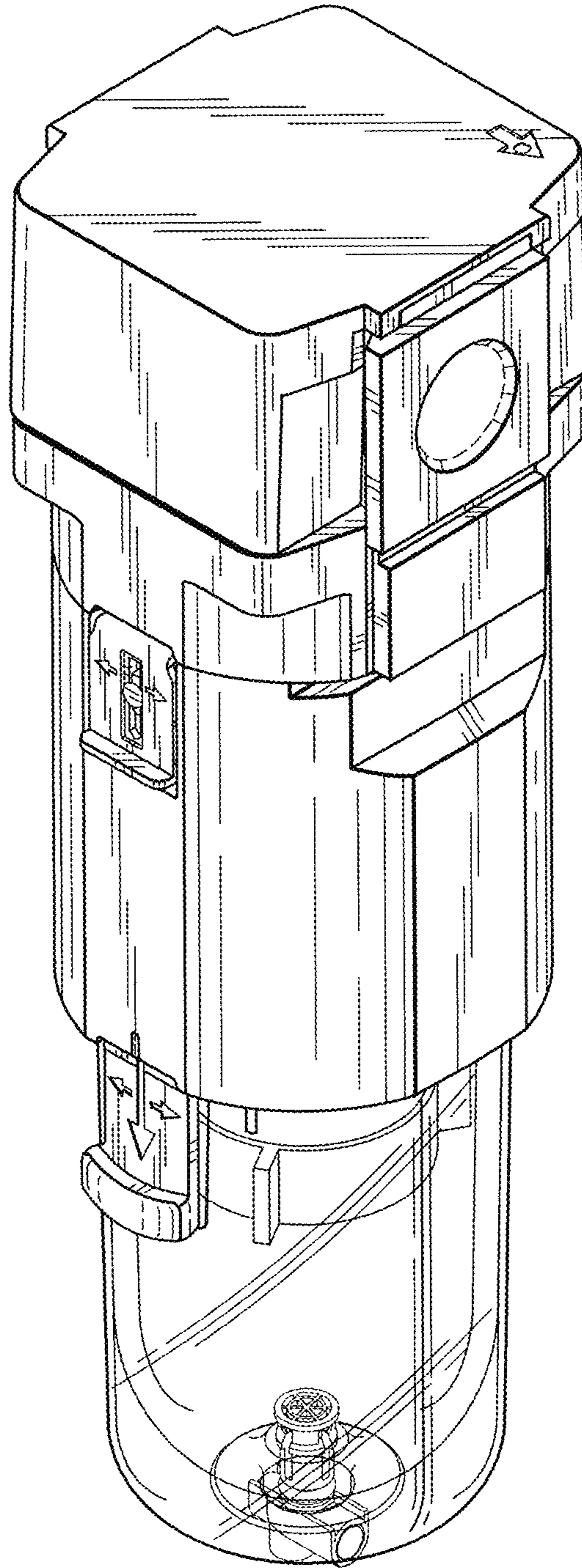


FIG. 2

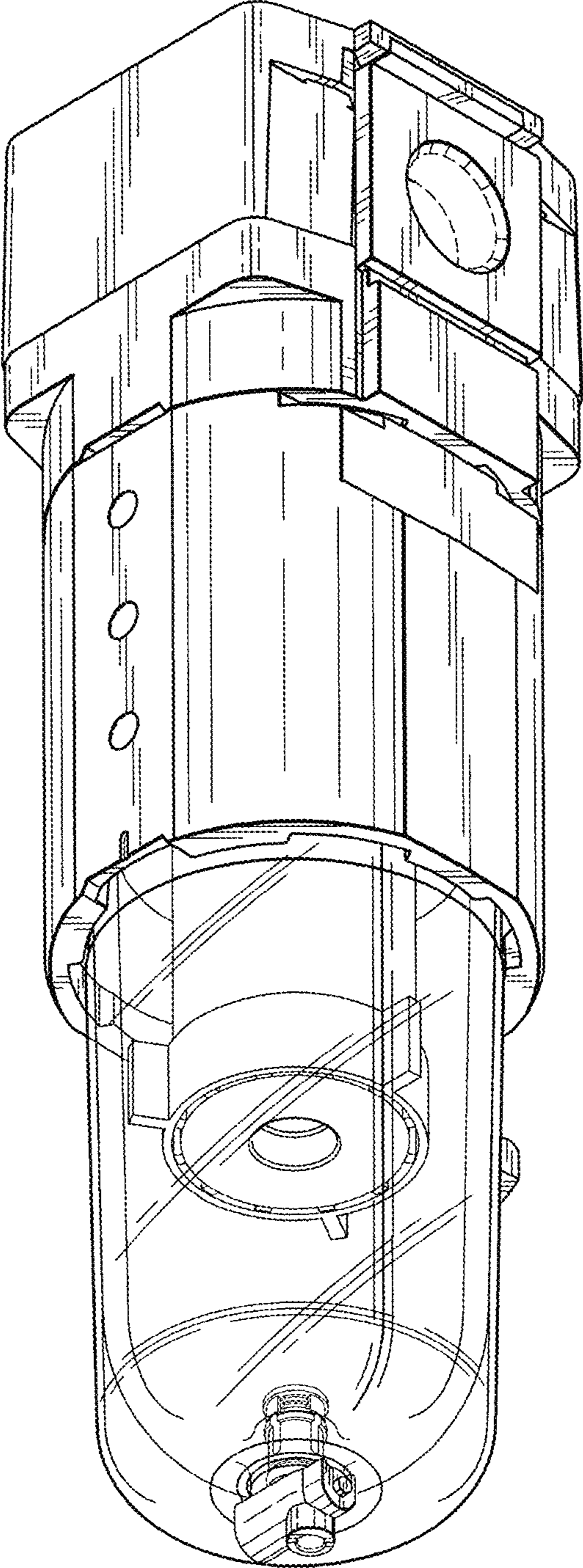


FIG. 3

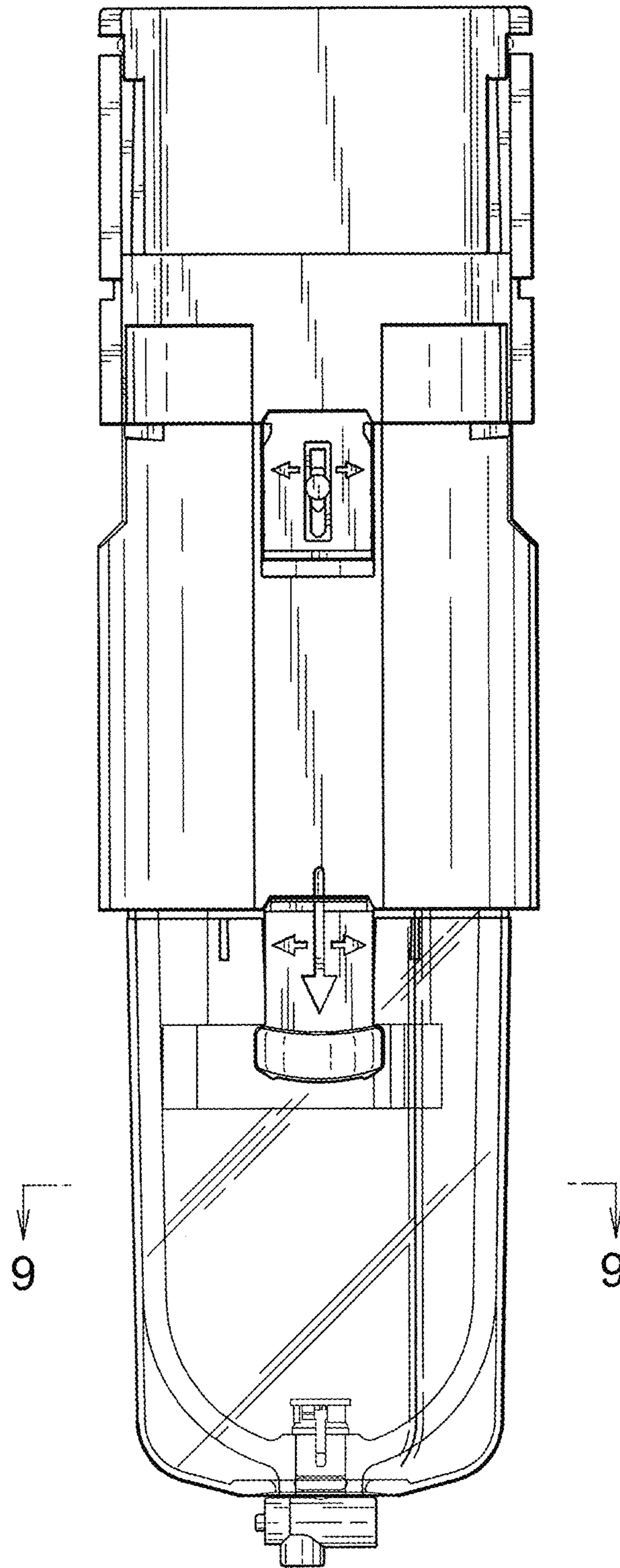


FIG. 4

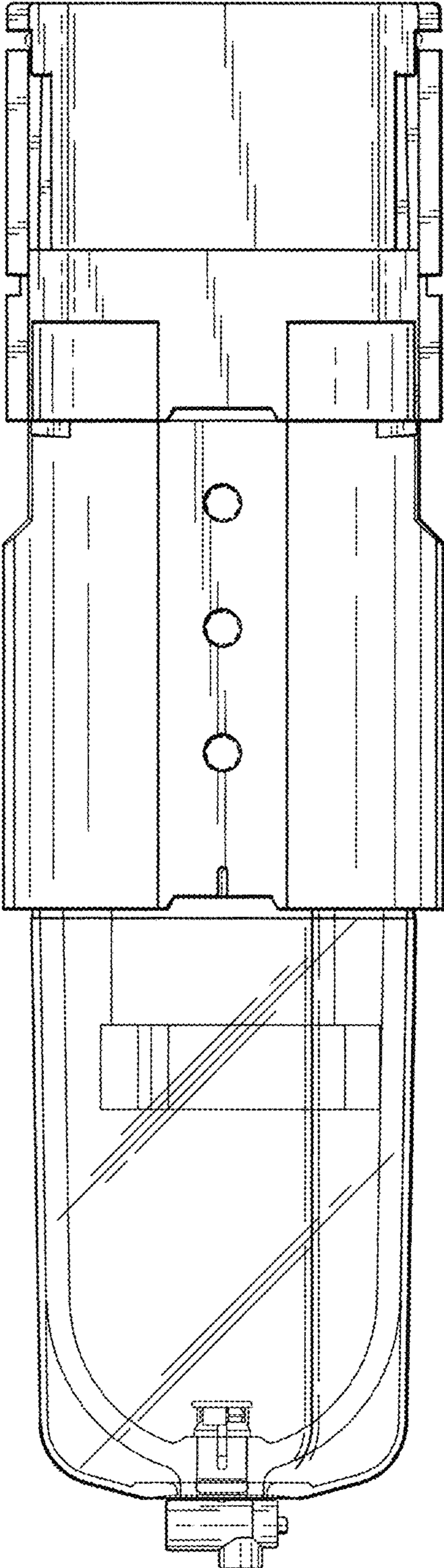


FIG. 5

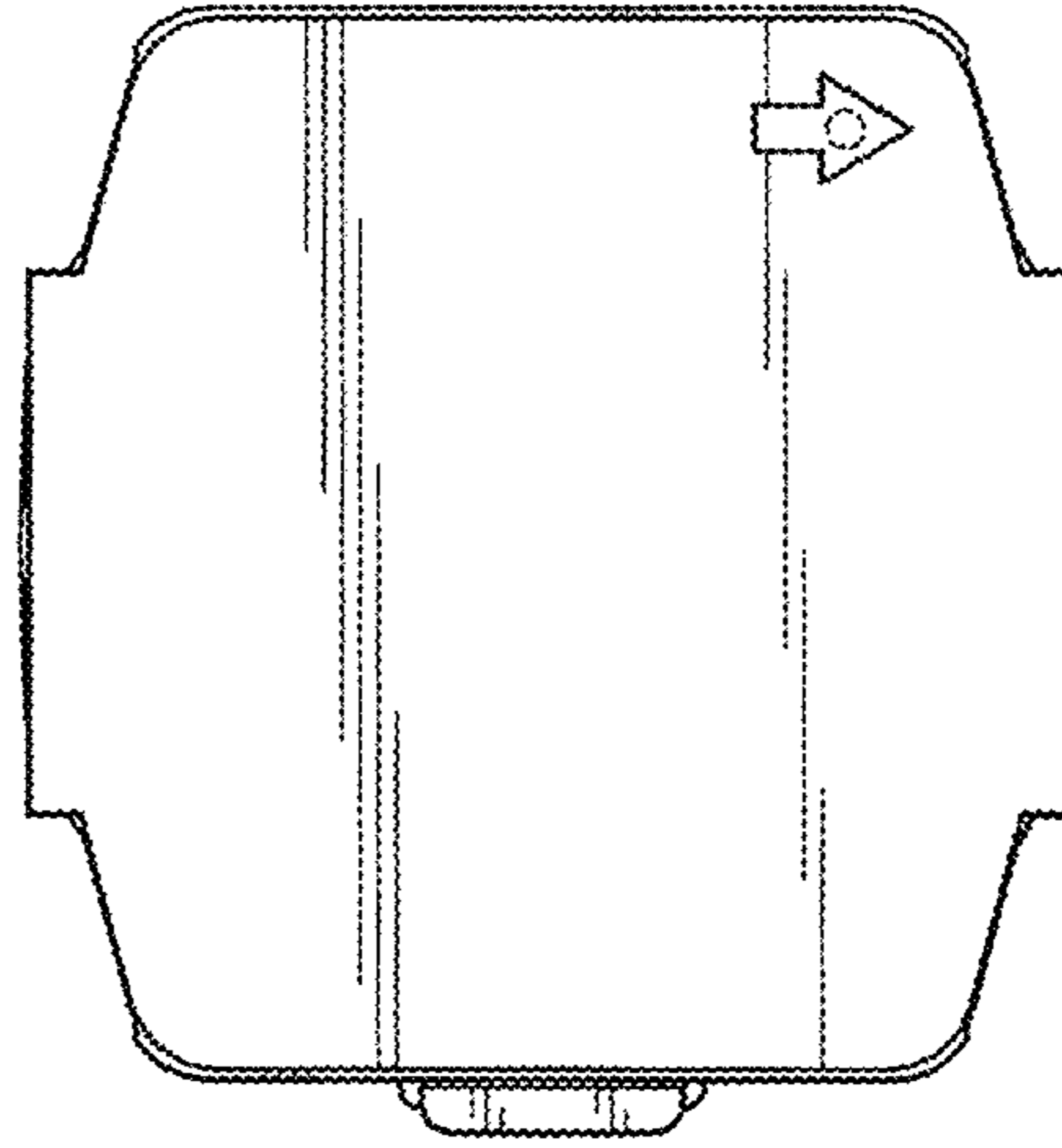


FIG. 6

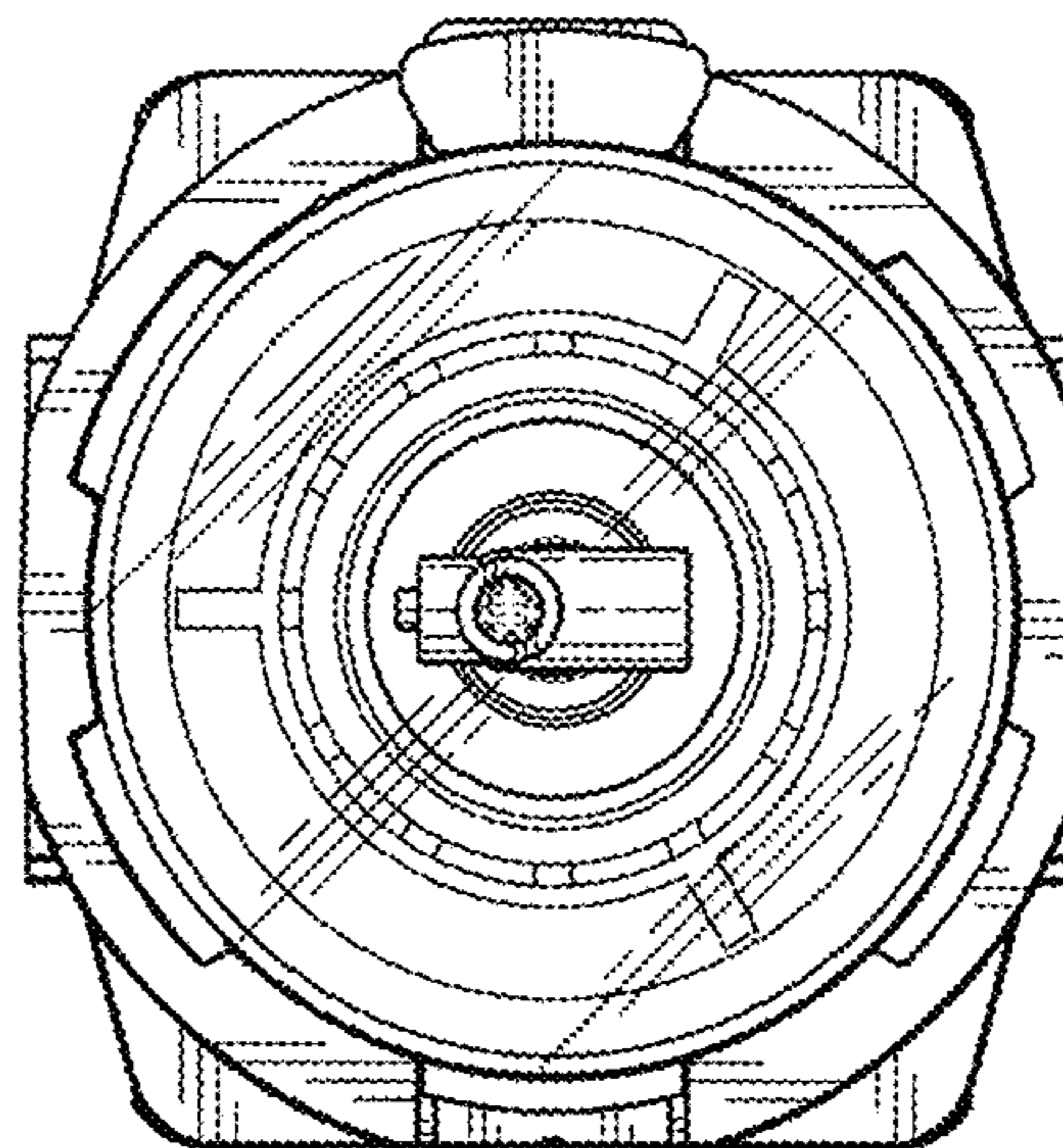


FIG. 7

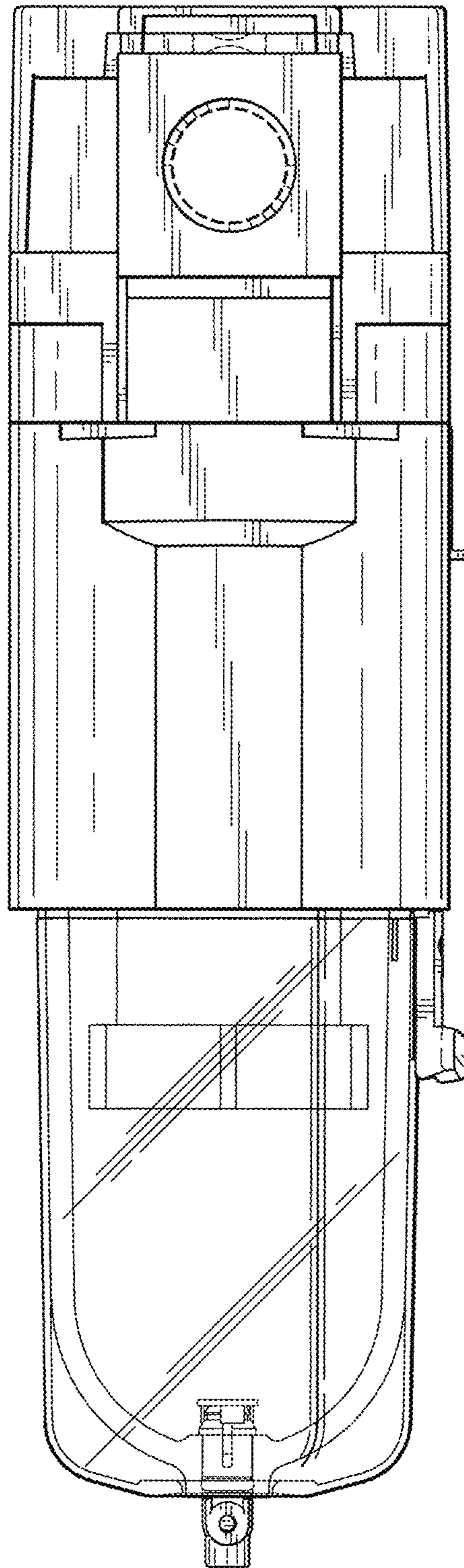


FIG. 9

