



US00D894329S

(12) **United States Design Patent** (10) **Patent No.:** **US D894,329 S**
Qiang (45) **Date of Patent:** **** Aug. 25, 2020**

(54) **WATER FILTER CARTRIDGE**
(71) Applicant: **Ningbo Pureza Technology, LLC,**
Ningbo (CN)
(72) Inventor: **Lu Qiang,** Zhejiang (CN)
(73) Assignee: **Ningbo Pureza Technology, LLC (CN)**
(**) Term: **15 Years**
(21) Appl. No.: **29/670,836**
(22) Filed: **Nov. 20, 2018**
(51) **LOC (12) Cl.** **23-01**
(52) **U.S. Cl.**
USPC **D23/209**
(58) **Field of Classification Search**
USPC D23/202, 205, 207, 259, 260, 262
CPC B01D 2201/29; B01D 2201/30; B01D
2201/301; B01D 2201/302; B01D
2201/306; B01D 2201/309; B01D 35/30;
C02F 1/002; C02F 1/003
See application file for complete search history.

D541,371 S 4/2007 McKay
D546,412 S 7/2007 Kennedy et al.
D547,821 S 7/2007 Kennedy et al.
(Continued)

FOREIGN PATENT DOCUMENTS

KR 300819596 S 10/2015
Primary Examiner — Sheryl Lane
Assistant Examiner — Calvin E Vansant
(74) *Attorney, Agent, or Firm* — Fish IP Law, LLP

(57) **CLAIM**
The ornamental design of a water filter cartridge, as shown and described.

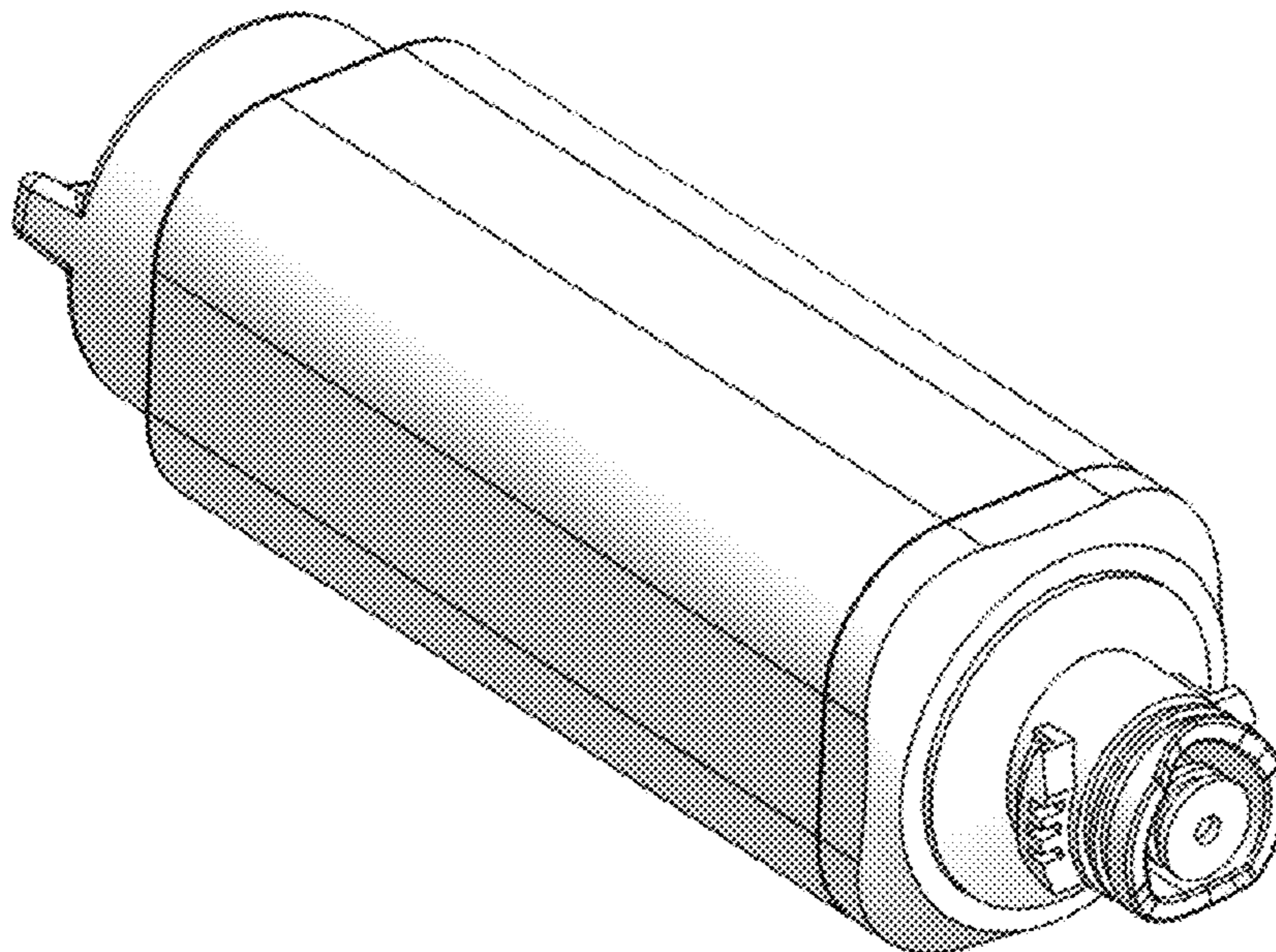
DESCRIPTION

FIG. 1 is a top, front, right side perspective view of an embodiment of a water filter cartridge showing my new design;
FIG. 2 is a front elevation view thereof;
FIG. 3 is a back elevation view thereof;
FIG. 4 is a right side elevation view thereof;
FIG. 5 is a left side elevation view thereof;
FIG. 6 is a top, back, left side perspective view thereof;
FIG. 7 is a top, back, right side perspective view thereof;
FIG. 8 is a top, front, left side perspective view thereof;
FIG. 9 is a bottom, back, left side perspective view thereof;
FIG. 10 is a bottom, back, right side perspective view thereof;
FIG. 11 is a bottom, front, left side perspective view thereof;
FIG. 12 is a bottom, front, right side perspective view thereof;
FIG. 13 is a bottom perspective view of the left side thereof;
and,
FIG. 14 is a top perspective view of the left side thereof.
The broken line showing of various features of the water filter cartridge form no part of the claimed design.

(56) **References Cited**
U.S. PATENT DOCUMENTS

2,165,163 A	7/1939	Waters
2,170,010 A	8/1939	Conner
D172,354 S	6/1954	Line
4,615,812 A	10/1986	Darling
4,871,455 A	10/1989	Terhune
D306,199 S	2/1990	Meissner
5,035,798 A	7/1991	Stenger
D365,632 S	12/1995	Blasdell et al.
5,486,288 A	1/1996	Stanford
D399,008 S	9/1998	Thomas
6,120,685 A	9/2000	Carlson
D472,299 S	2/2003	Fritze
D476,718 S	7/2003	Ferrer Beltran
7,000,782 B2	2/2006	Walton

1 Claim, 11 Drawing Sheets



(56)

References Cited

U.S. PATENT DOCUMENTS

D547,822 S	7/2007	Kennedy et al.	D762,812 S	8/2016	Branscomb et al.	
D547,823 S	7/2007	Kennedy et al.	D764,021 S *	8/2016	Lu	D23/209
D554,734 S	11/2007	Yamamoto	D764,626 S	8/2016	Lu	
8,177,976 B2	5/2012	Formica	D765,220 S *	8/2016	Boudreau	D23/209
8,354,024 B2	1/2013	Ihle	D768,813 S	10/2016	Dong et al.	
D679,779 S	4/2013	Reid	D768,814 S	10/2016	Dong et al.	
8,916,044 B2	12/2014	Rapin	D770,011 S *	10/2016	Nelson	D23/209
D722,362 S	2/2015	Kluss et al.	D773,607 S	12/2016	Lu	
9,005,435 B2	4/2015	Takeda	D773,608 S *	12/2016	Nelson	D23/209
9,067,154 B1	6/2015	Branscomb	D775,712 S	1/2017	Kim et al.	
D738,460 S	9/2015	Cook	D776,237 S *	1/2017	Dong	D23/207
D748,226 S	1/2016	Aoki et al.	D780,887 S	3/2017	Huda et al.	
D750,739 S	3/2016	Baird	D785,750 S *	5/2017	Huda	D23/209
D753,788 S	4/2016	Huda et al.	D788,880 S	6/2017	Zou	
D760,868 S	7/2016	Lu	D807,988 S *	1/2018	An	D23/209
D761,382 S	7/2016	Curtis et al.	D820,947 S	6/2018	An et al.	
D761,383 S	7/2016	Curtis et al.	D831,786 S *	10/2018	Zou	D23/209
			D835,752 S *	12/2018	Spiegel	D23/209
			D857,840 S *	8/2019	Lu	D23/209

* cited by examiner

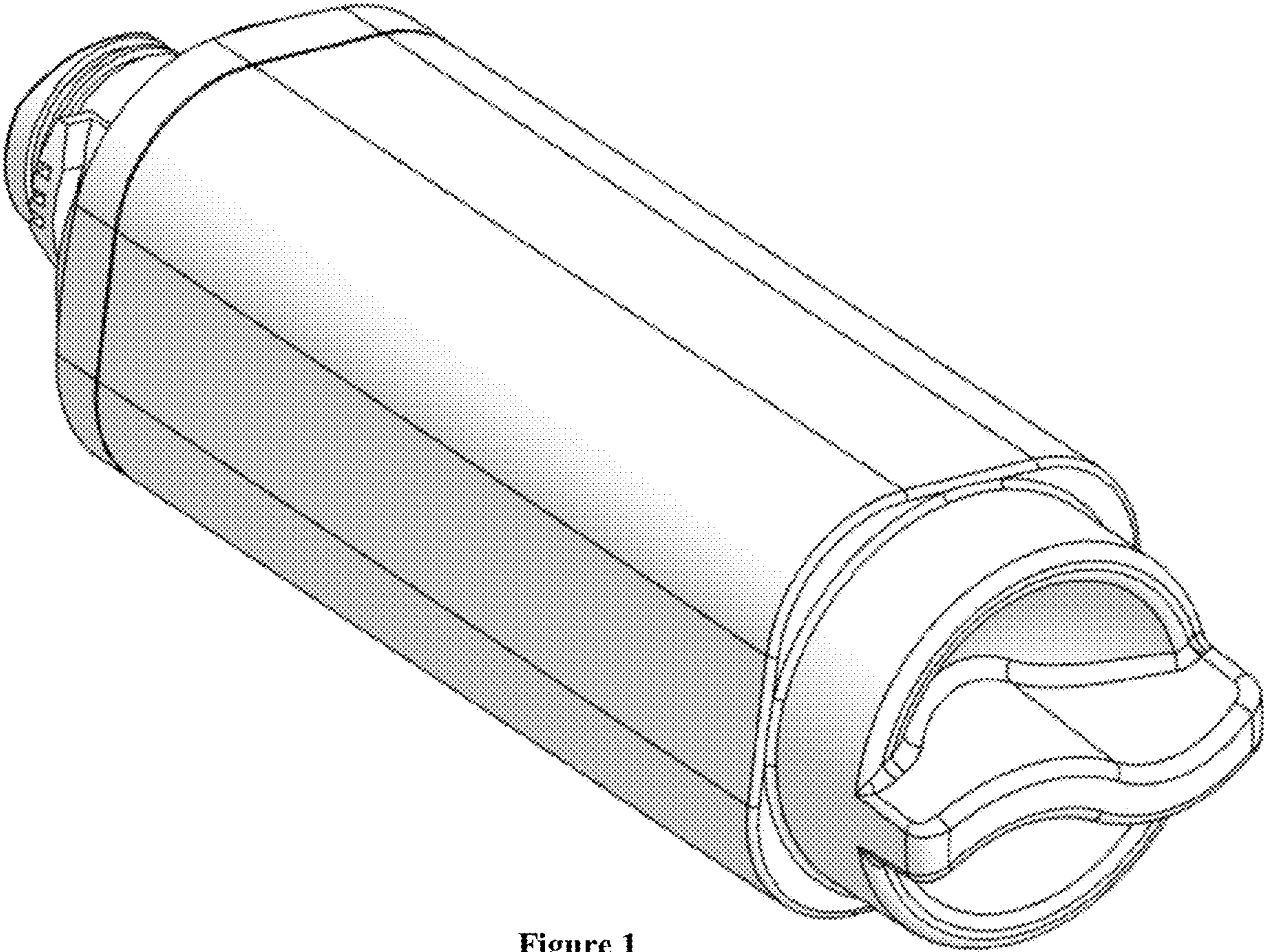


Figure 1

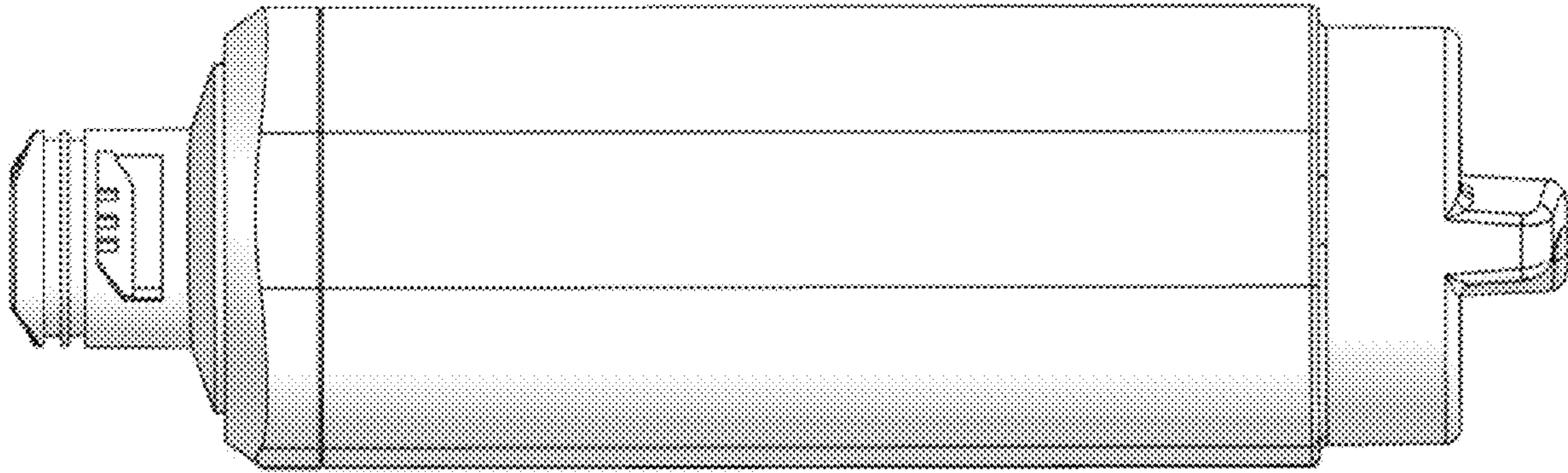


Figure 2

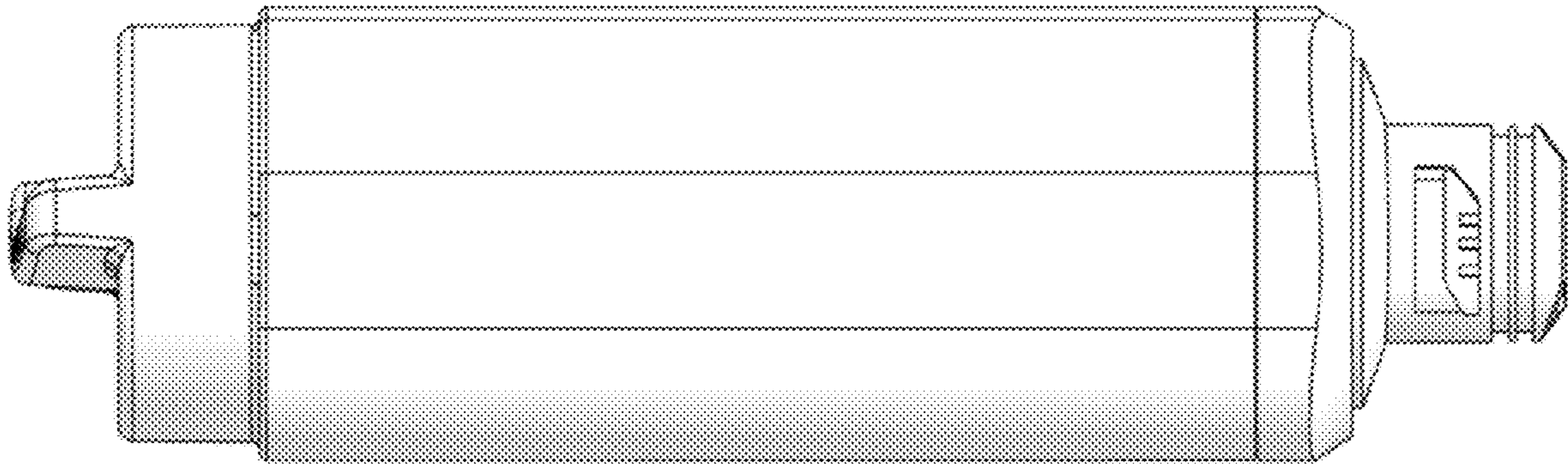


Figure 3

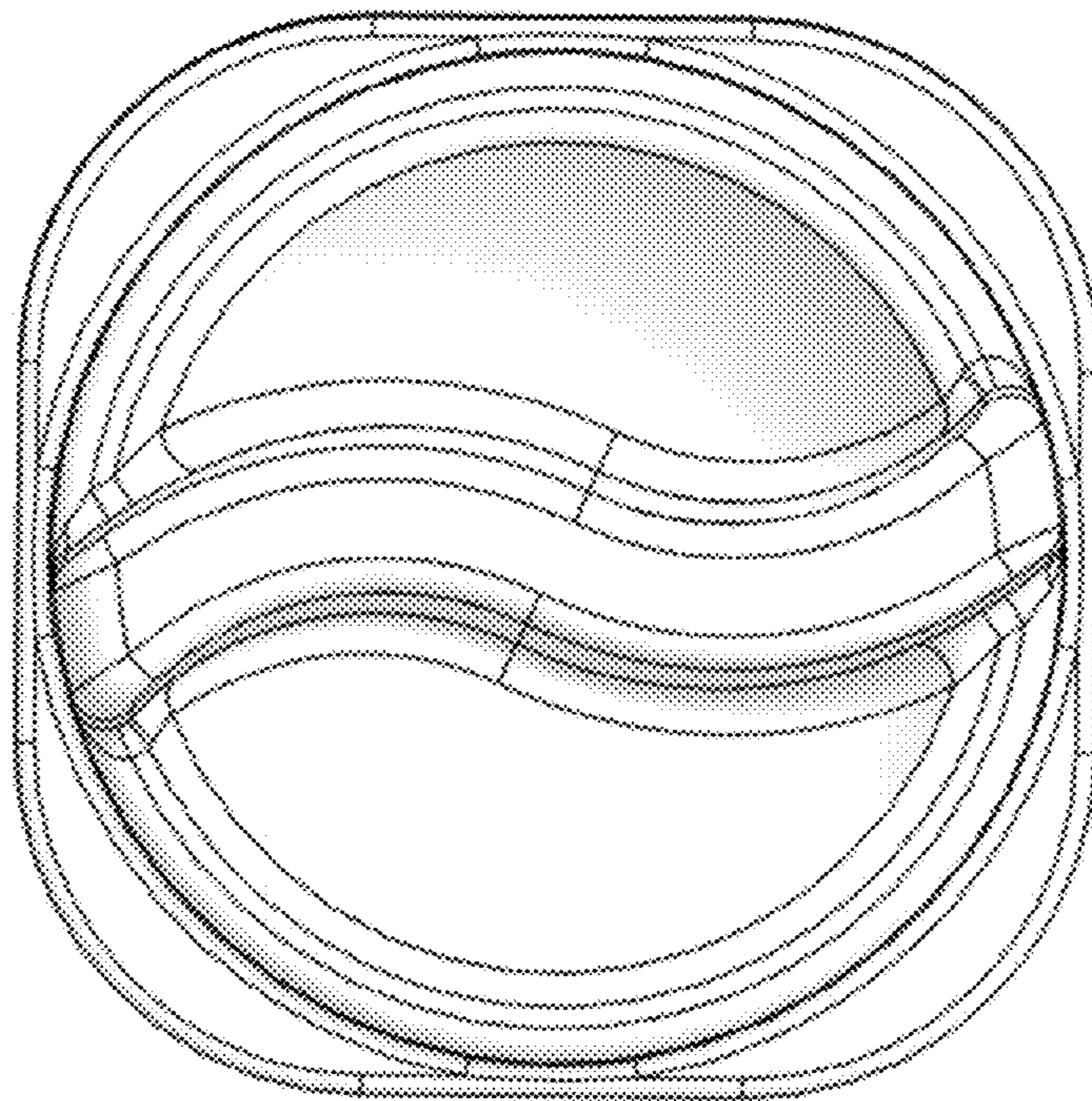


Figure 4

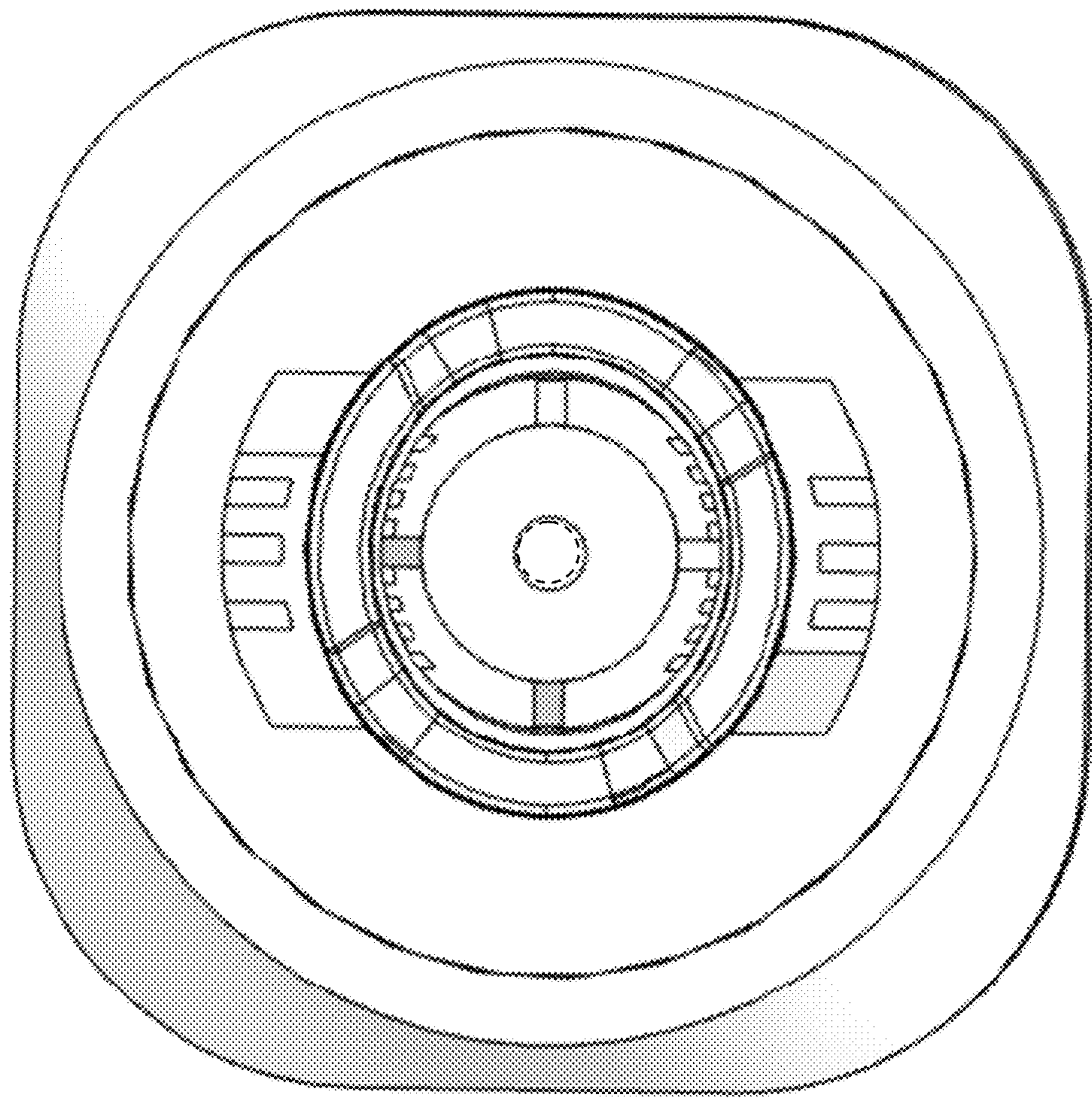


Figure 5

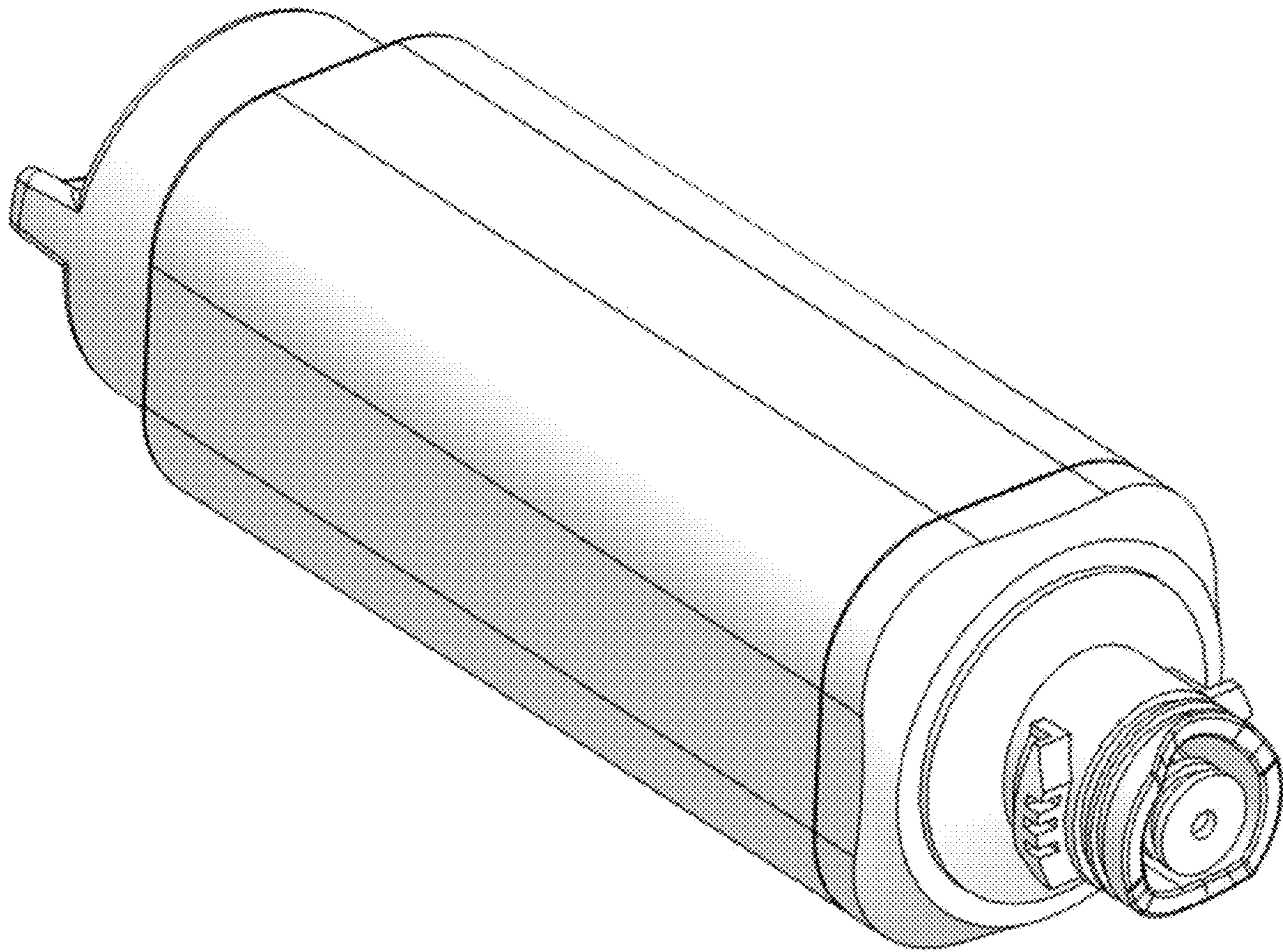


Figure 6

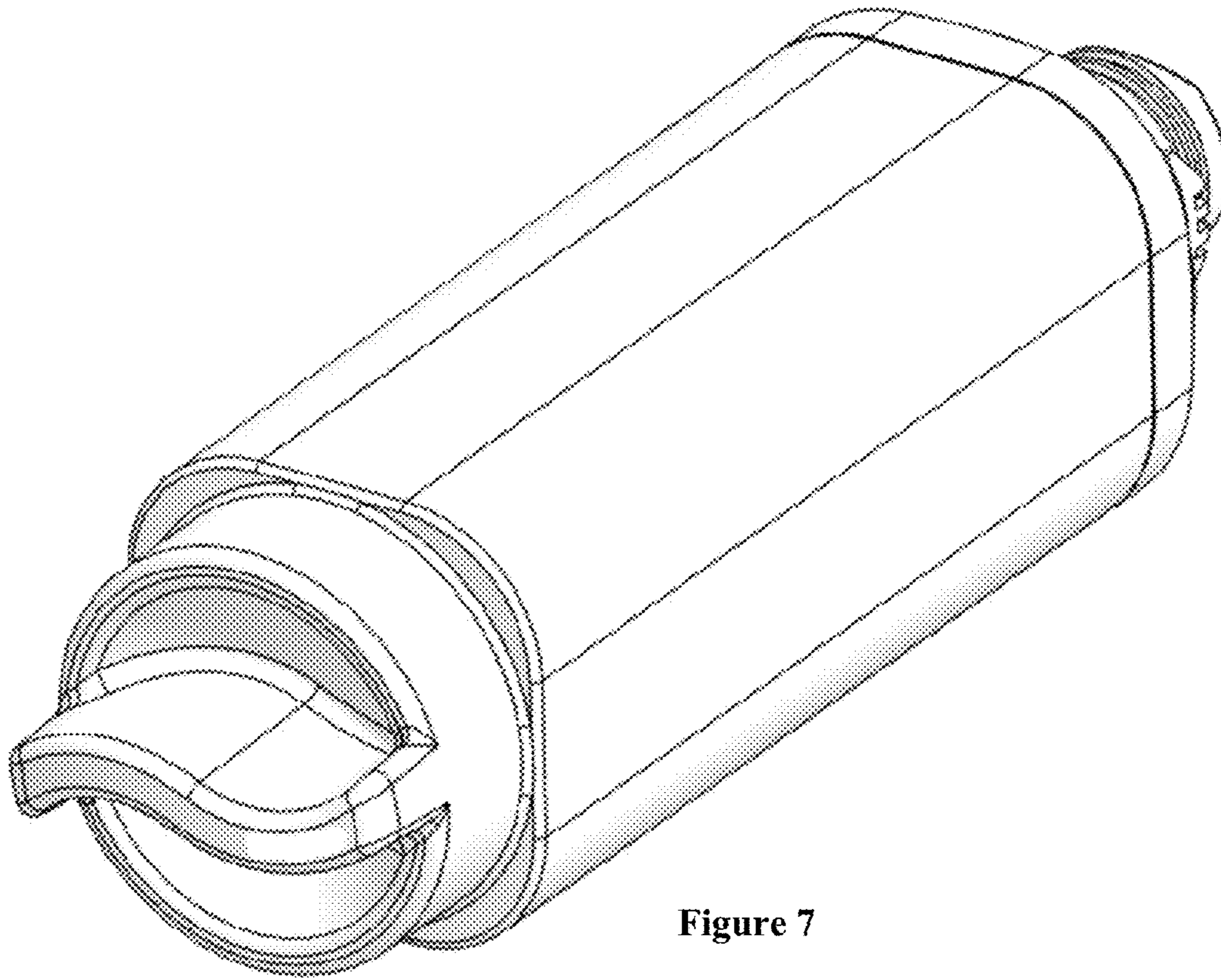


Figure 7

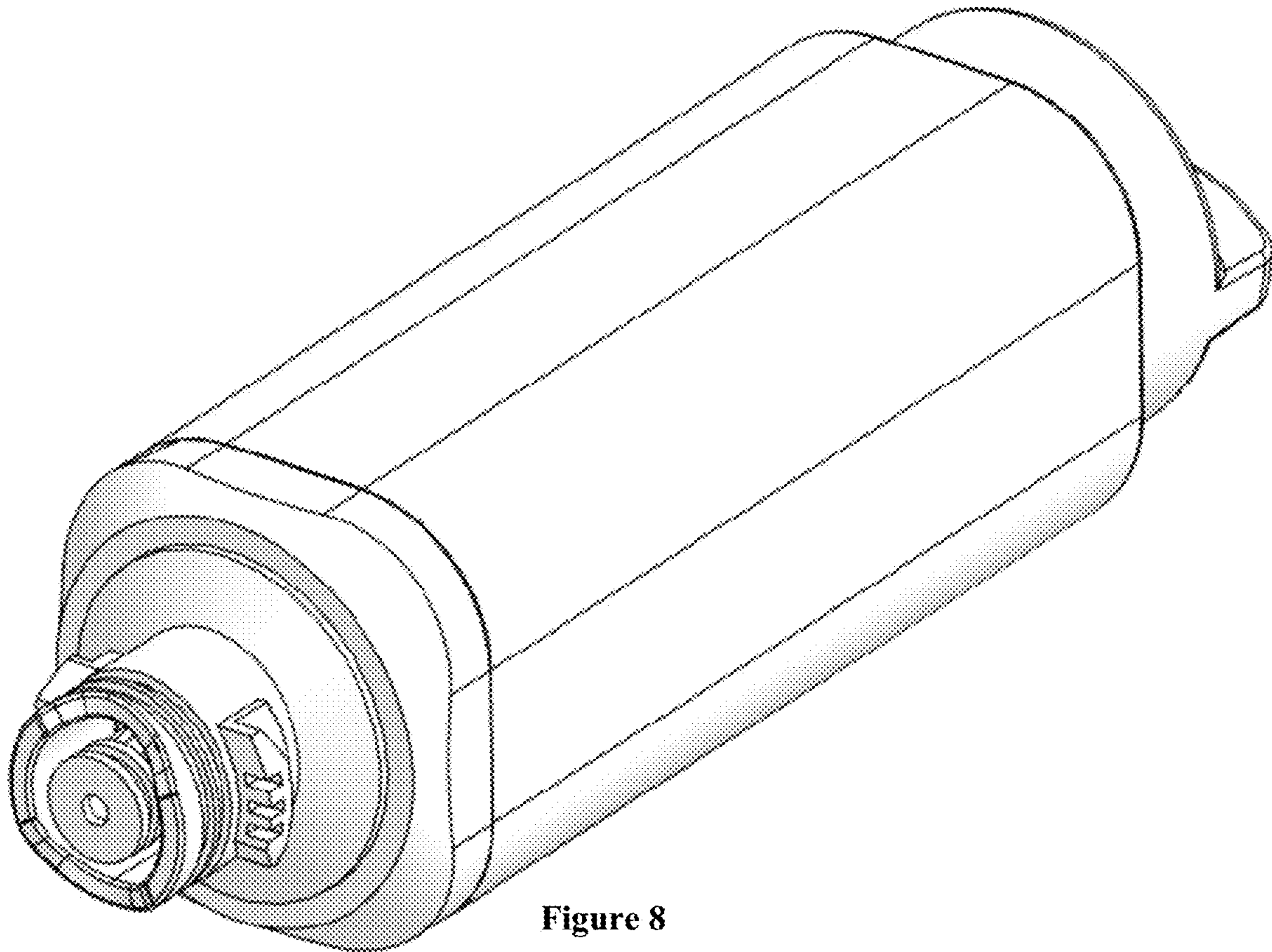


Figure 8

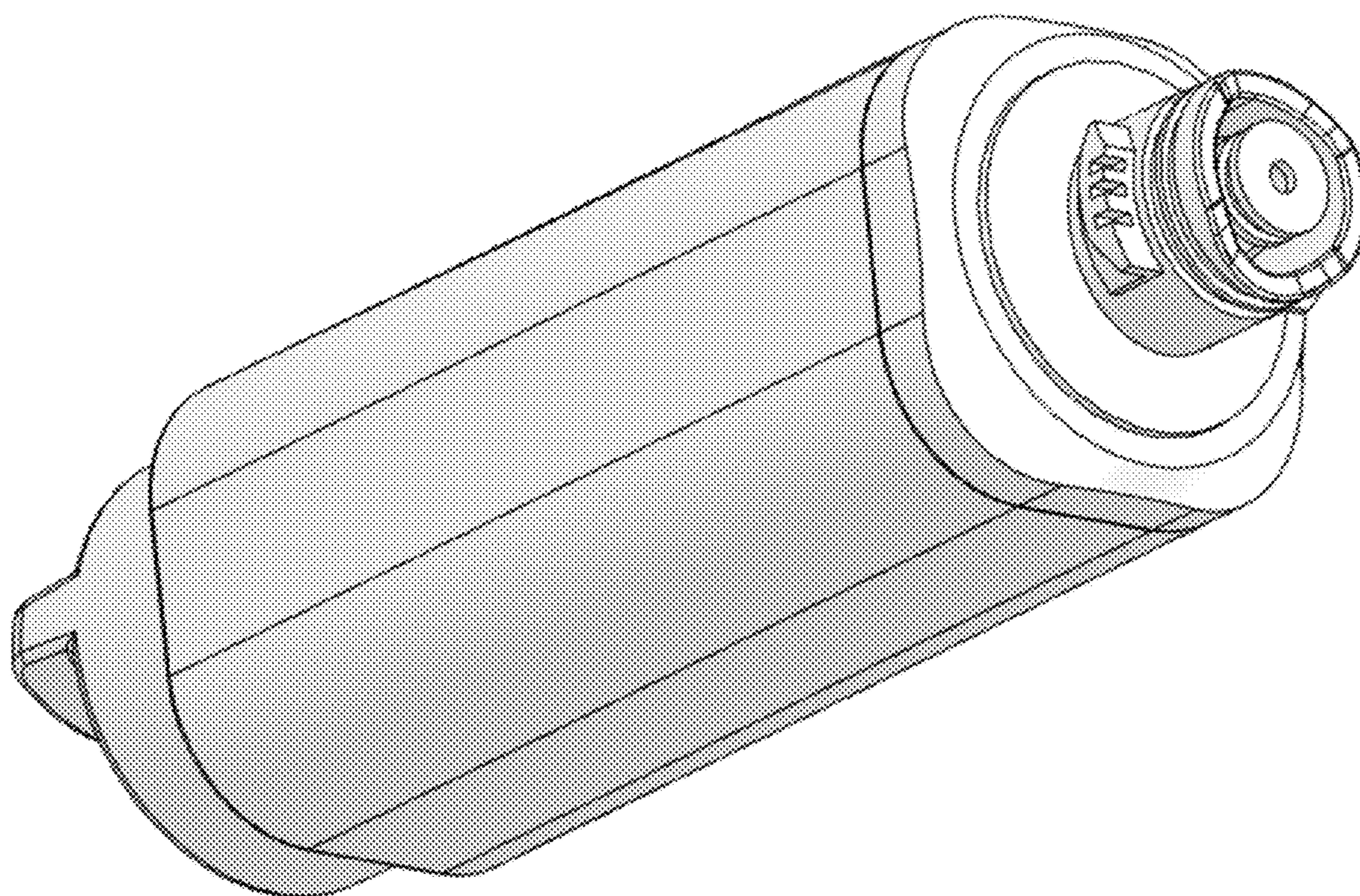


Figure 9

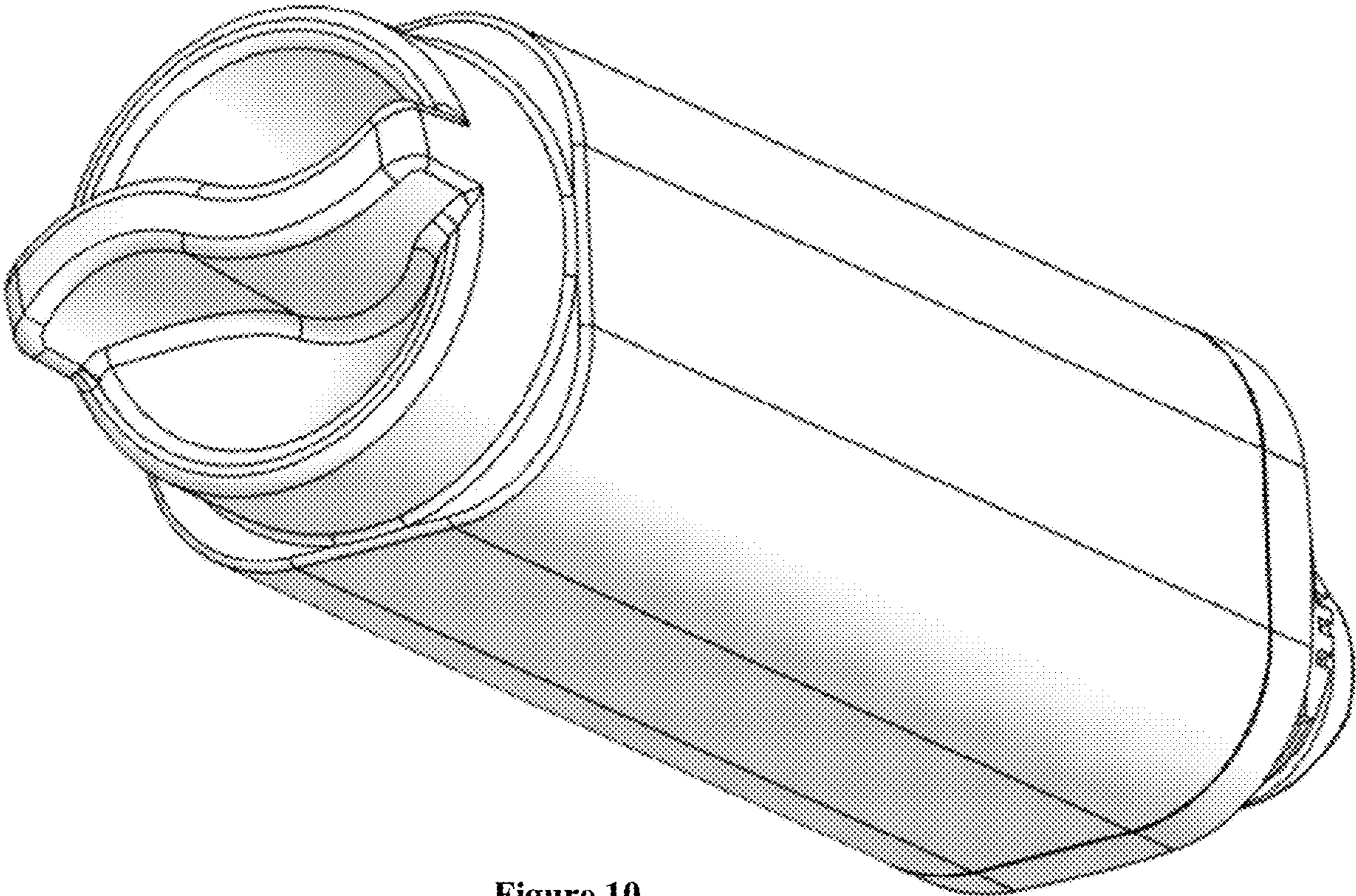


Figure 10

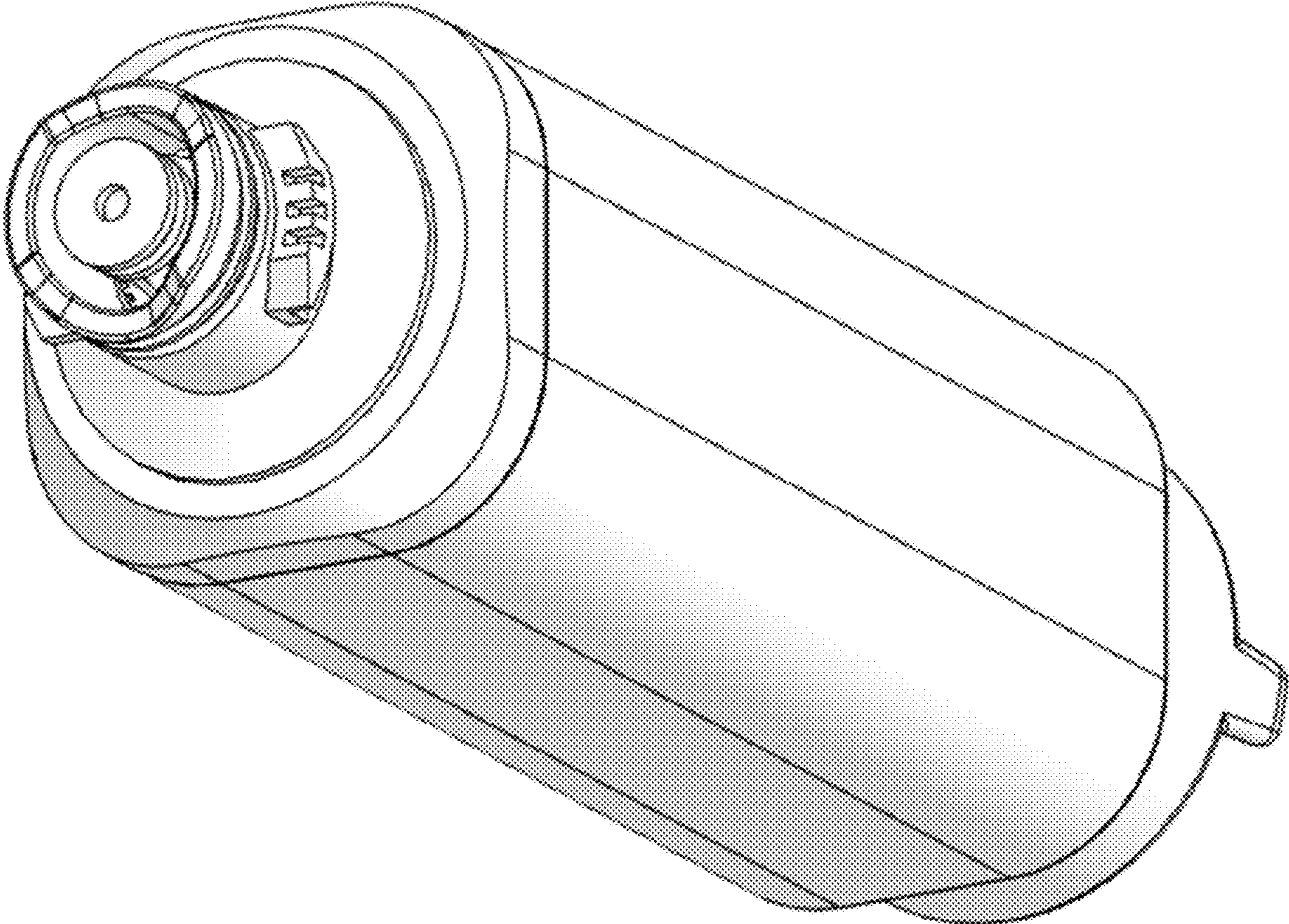


Figure 11

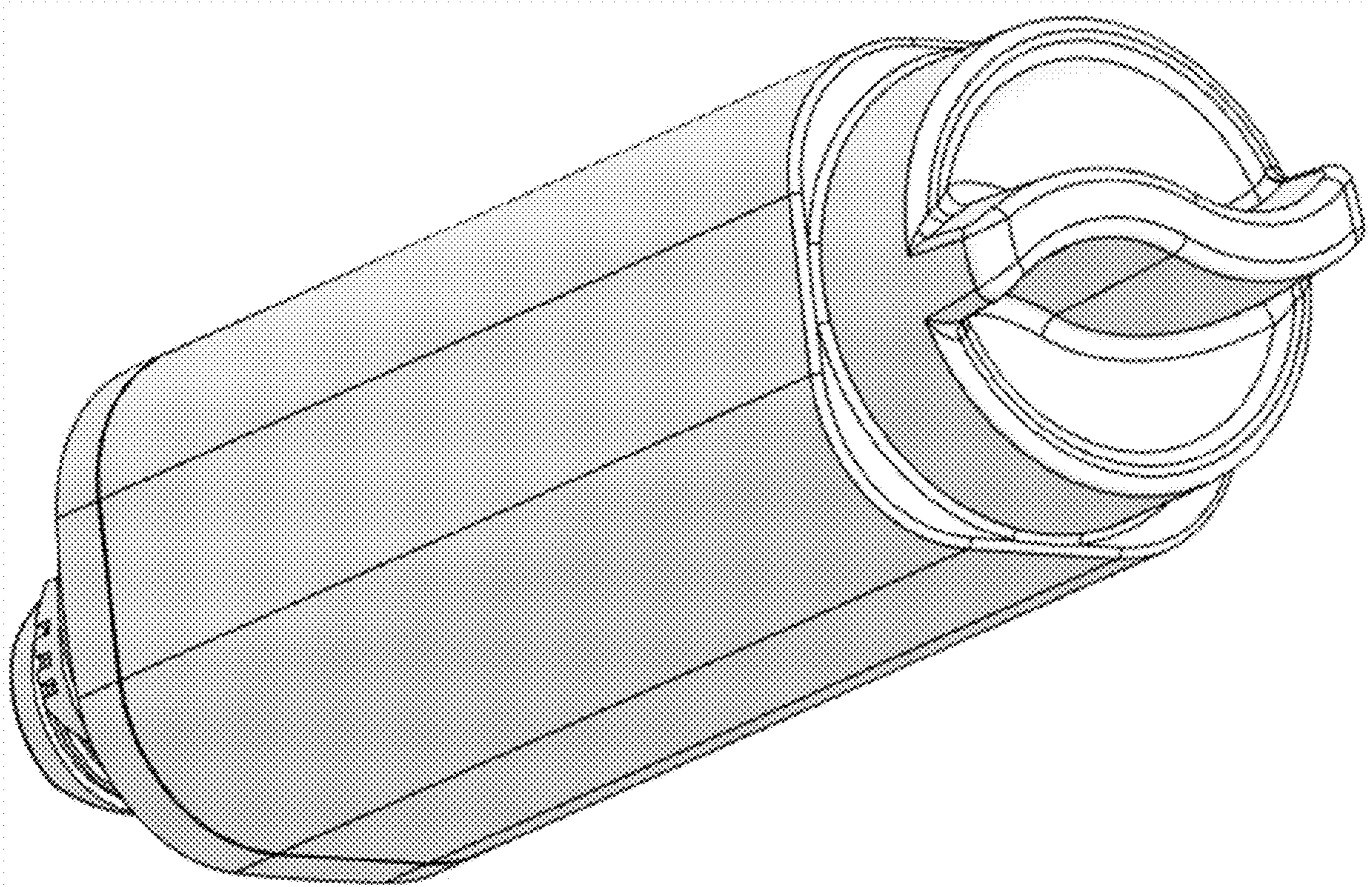


Figure 12

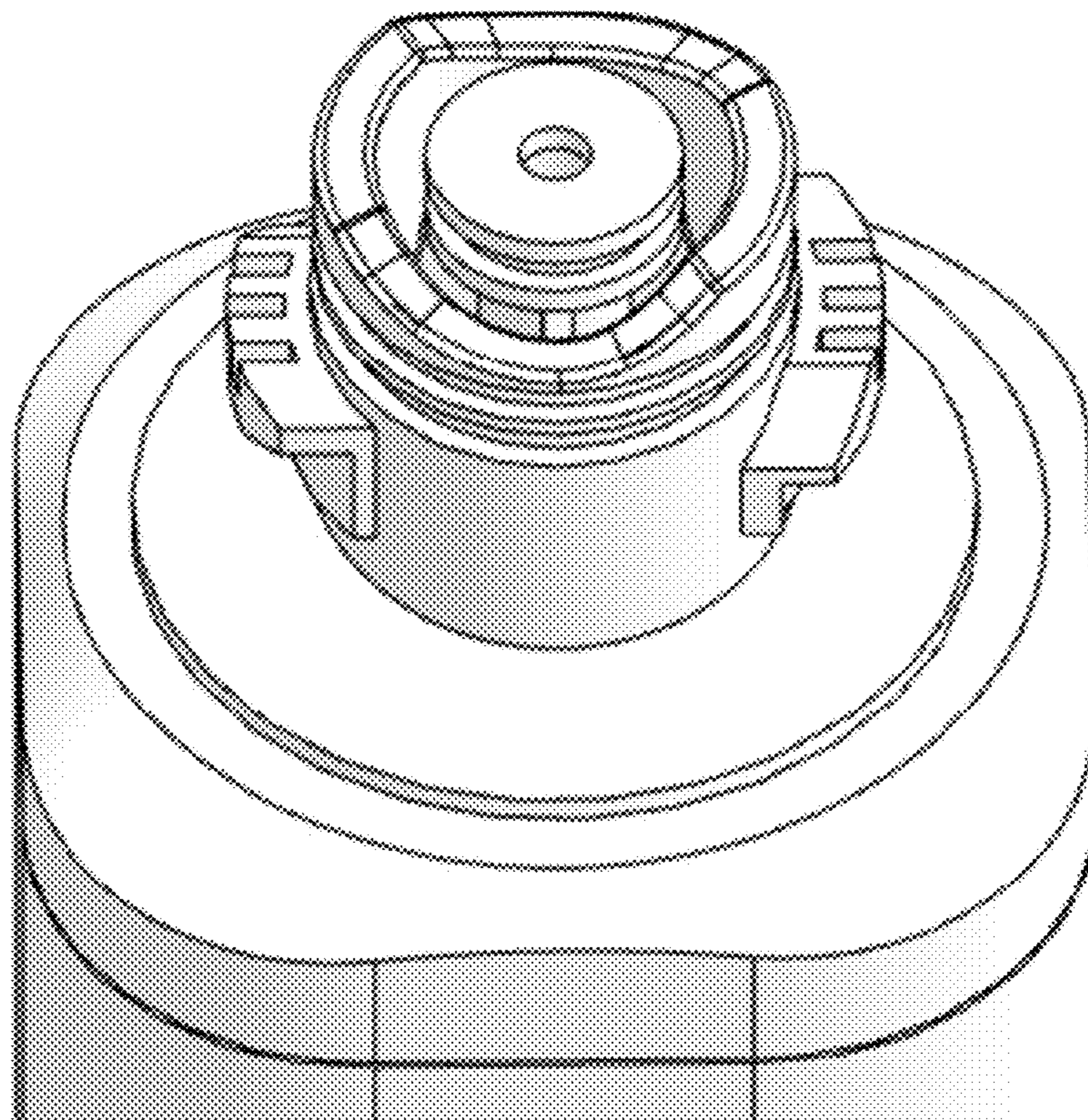


Figure 13

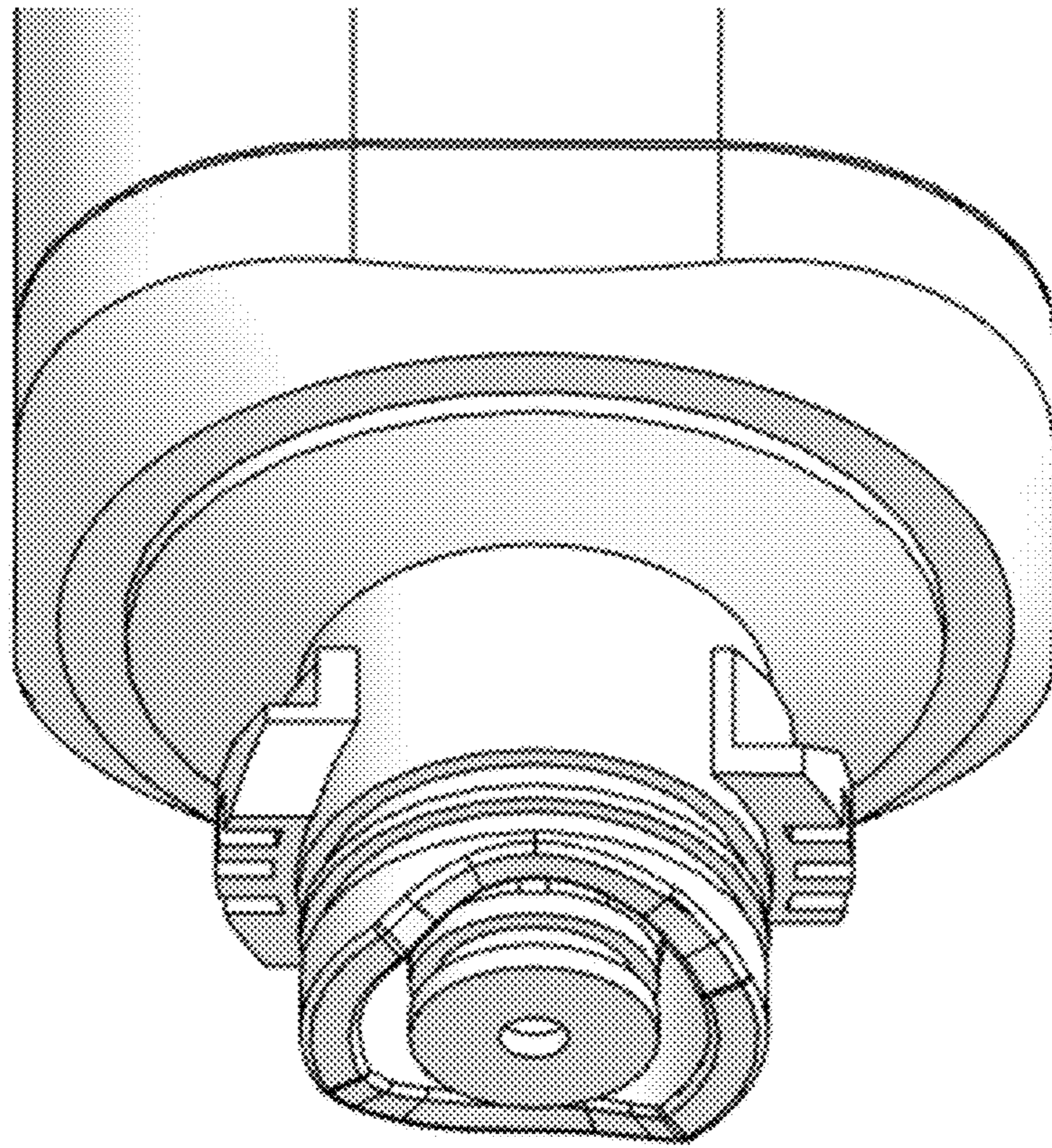


Figure 14