

US00D894328S

(12) **United States Design Patent**  
**Goldman**

(10) **Patent No.:** **US D894,328 S**

(45) **Date of Patent:** **\*\* Aug. 25, 2020**

(54) **MODULAR FILTER SYSTEM FOR ENHANCED USER ACCESS**

(71) Applicant: **MECHANICAL MANUFACTURING CORPORATION**, Sunrise, FL (US)

(72) Inventor: **Michael A. Goldman**, Sunrise, FL (US)

(73) Assignee: **Mechanical Manufacturing Corporation**, Sunrise, FL (US)

(\*\*) Term: **15 Years**

(21) Appl. No.: **29/641,549**

(22) Filed: **Mar. 22, 2018**

(51) **LOC (12) Cl.** ..... **23-01**

(52) **U.S. Cl.**  
USPC ..... **D23/209**

(58) **Field of Classification Search**  
USPC ..... D23/200, 206, 207, 209, 366; D15/79, D15/81; D7/306; D14/140.4, 188, 496  
CPC .... B01D 35/30; B01D 35/153; B01D 35/306; B01D 35/12; H01H 1/00; H01T 23/00  
See application file for complete search history.

(56) **References Cited**

U.S. PATENT DOCUMENTS

5,073,260	A *	12/1991	Wilkendorf	.....	B01D 35/12 210/238
RE40,721	E *	6/2009	Desai	.....	B01D 29/35 137/625.21
8,961,792	B2 *	2/2015	Desai	.....	B01D 35/12 210/234
9,004,106	B2 *	4/2015	Schlichter	.....	B01D 35/12 137/637
D783,774	S *	4/2017	Costantini	.....	D23/209
9,675,916	B2 *	6/2017	Clements	.....	B01D 29/668

D793,524	S *	8/2017	Kruse	.....	D23/209
D796,000	S *	8/2017	Downie	.....	D23/209
9,744,485	B2 *	8/2017	Burns	.....	B01D 29/908
D802,713	S *	11/2017	Downie	.....	D23/209
10,532,296	B1 *	1/2020	Keenan	.....	B01D 35/12
2013/0200012	A1 *	8/2013	Holmes	.....	B01D 29/114 210/804

OTHER PUBLICATIONS

Parallel/Series Filter System [Feb. 11, 2020] found online [Feb. 11, 2020]—[https://www.filtrationsystems.com/liquidhousing\\_psf.htm](https://www.filtrationsystems.com/liquidhousing_psf.htm).  
\*

\* cited by examiner

*Primary Examiner* — Lakiya G Rogers

*Assistant Examiner* — John A Voytek

(74) *Attorney, Agent, or Firm* — Fox Rothschild LLP;  
Robert J. Sacco

(57) **CLAIM**

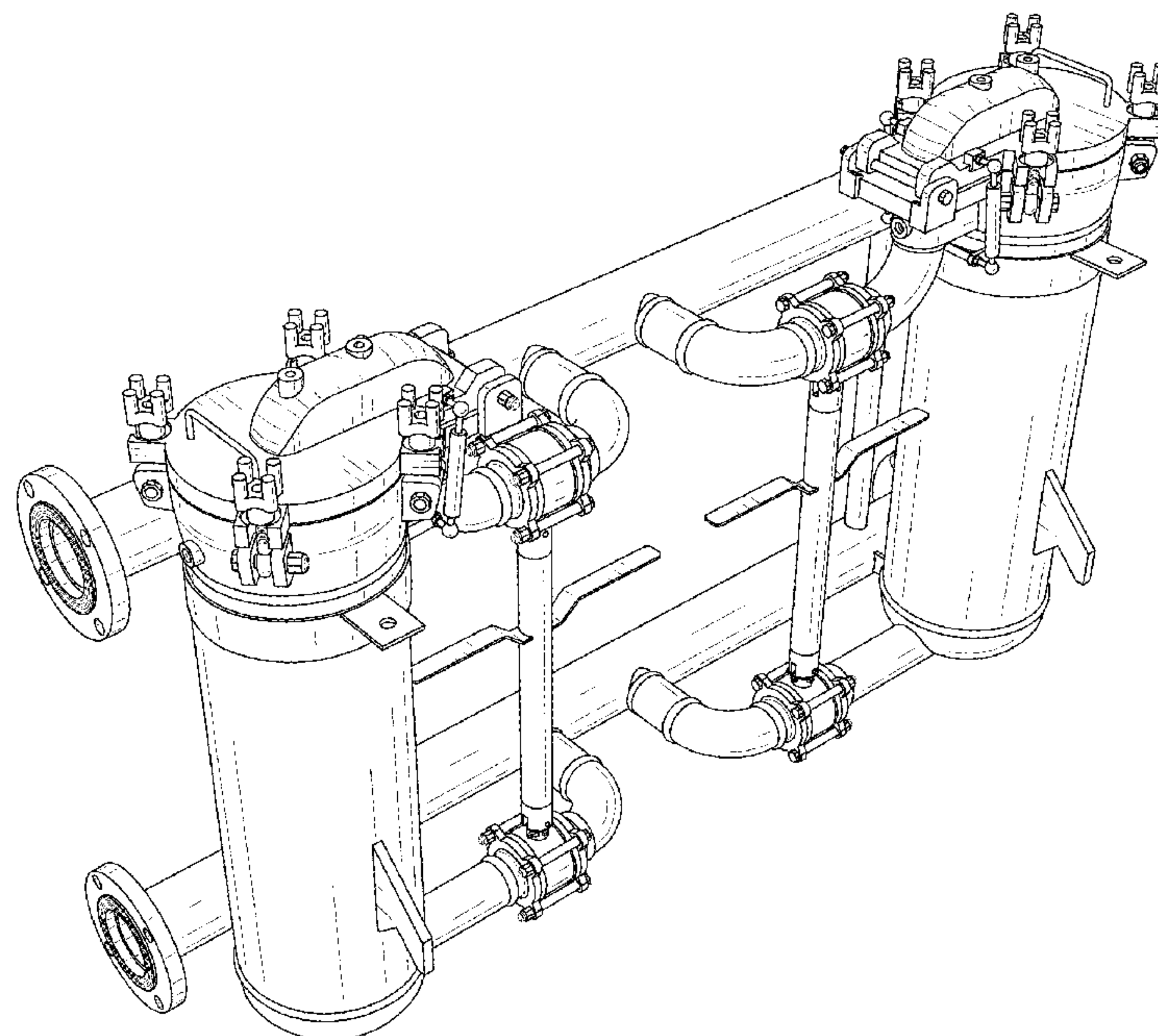
I claim a modular filter system for enhanced user access, as shown and described.

**DESCRIPTION**

FIG. 1 is a front perspective view of a modular filter system for enhanced user access;  
FIG. 2 is a rear perspective view thereof;  
FIG. 3 is a front view thereof;  
FIG. 4 is a rear view thereof;  
FIG. 5 is a top view thereof;  
FIG. 6 is a bottom view thereof;  
FIG. 7 is a left side view thereof; and,  
FIG. 8 is a right side view.

The broken lines in the drawings depict portions of the modular filter system for enhanced user access that form no part of the claimed design.

**1 Claim, 7 Drawing Sheets**



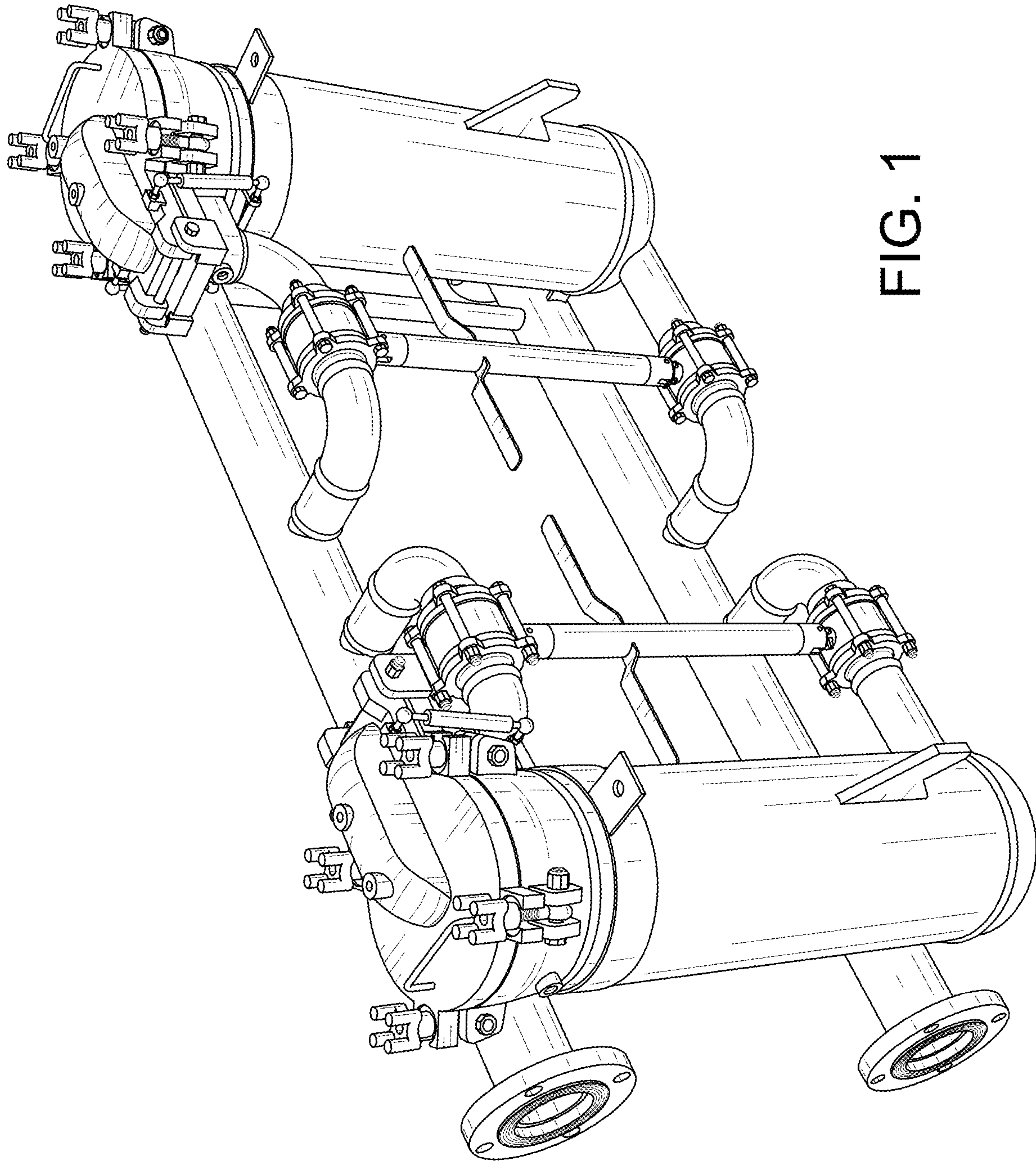


FIG. 1



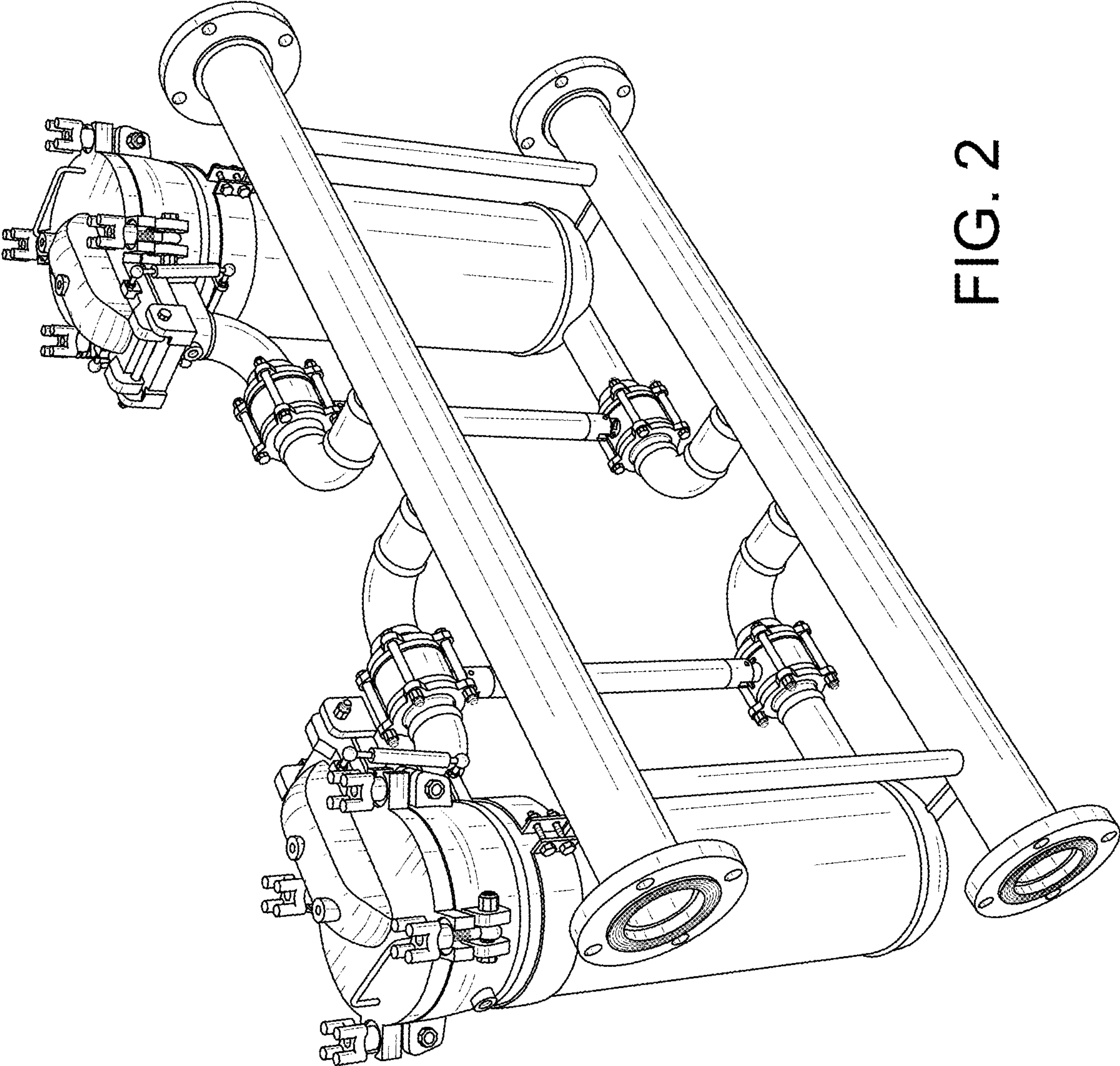


FIG. 2

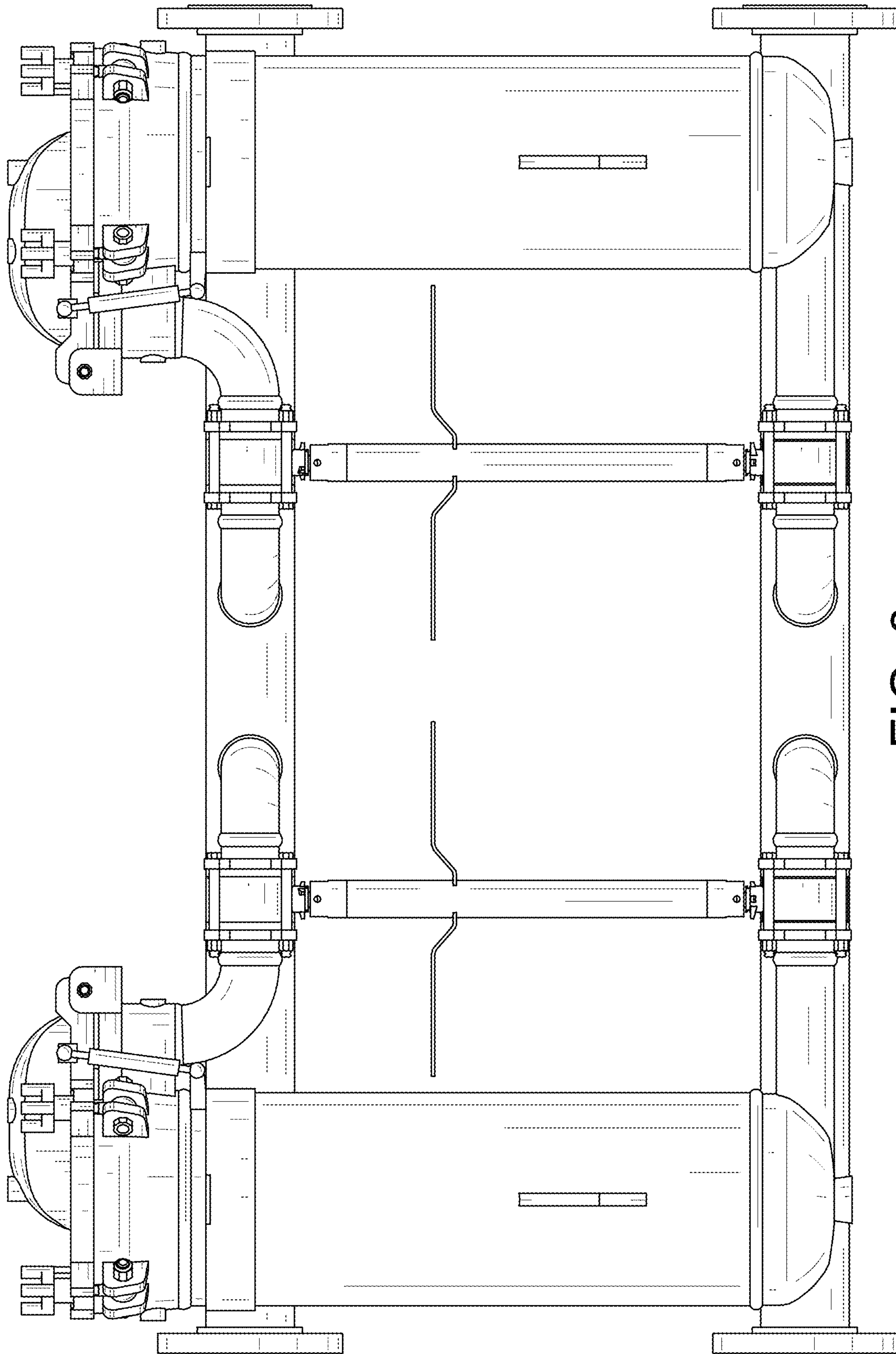


FIG. 3

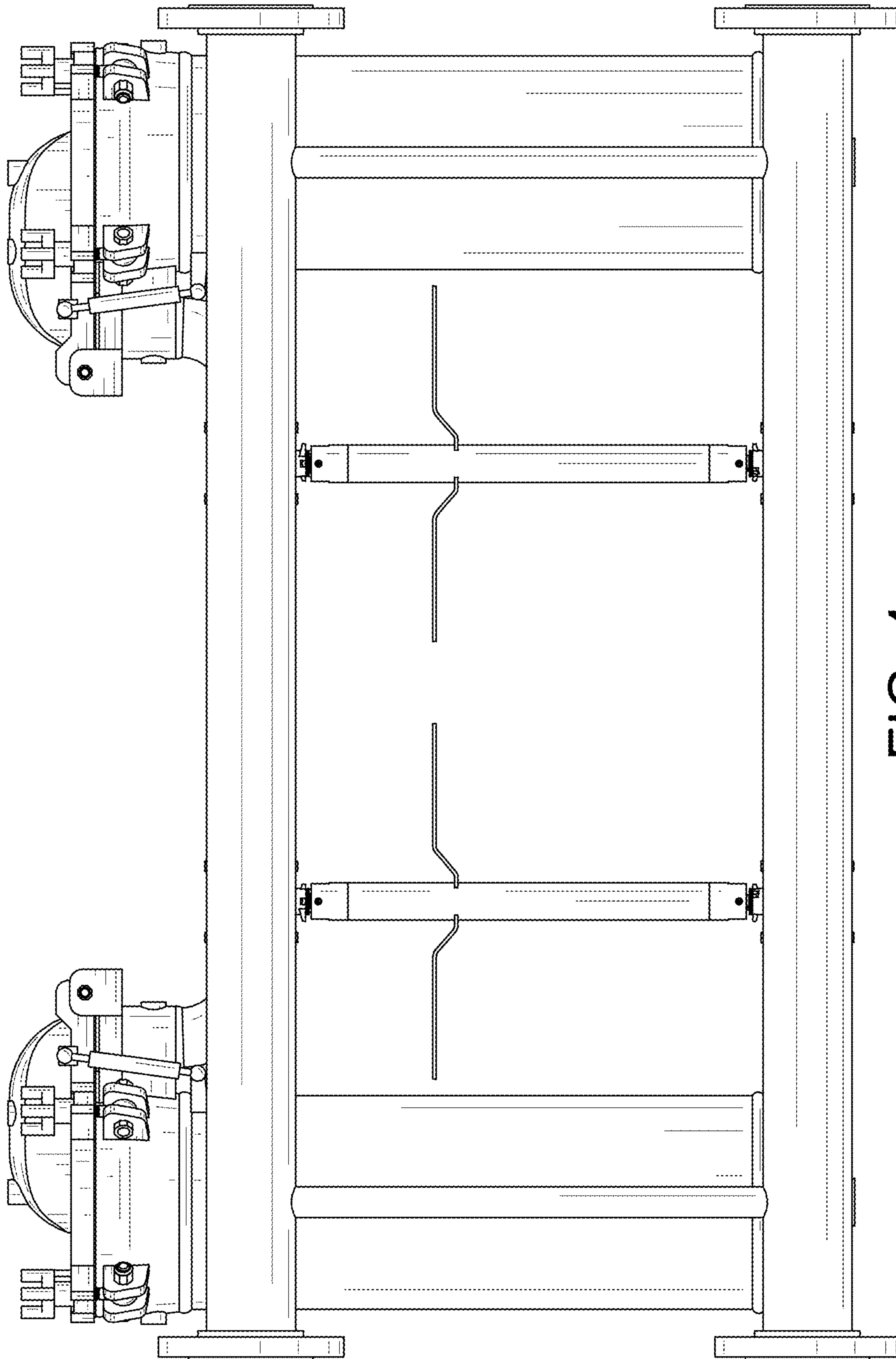


FIG. 4

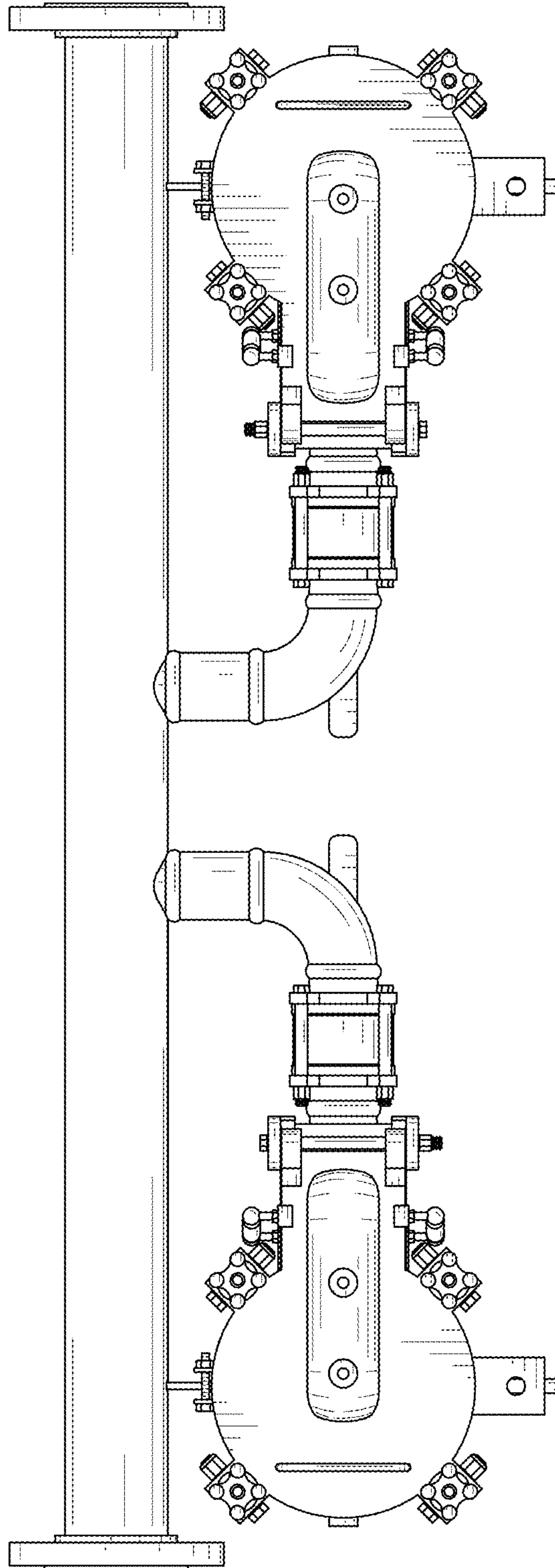


FIG. 5



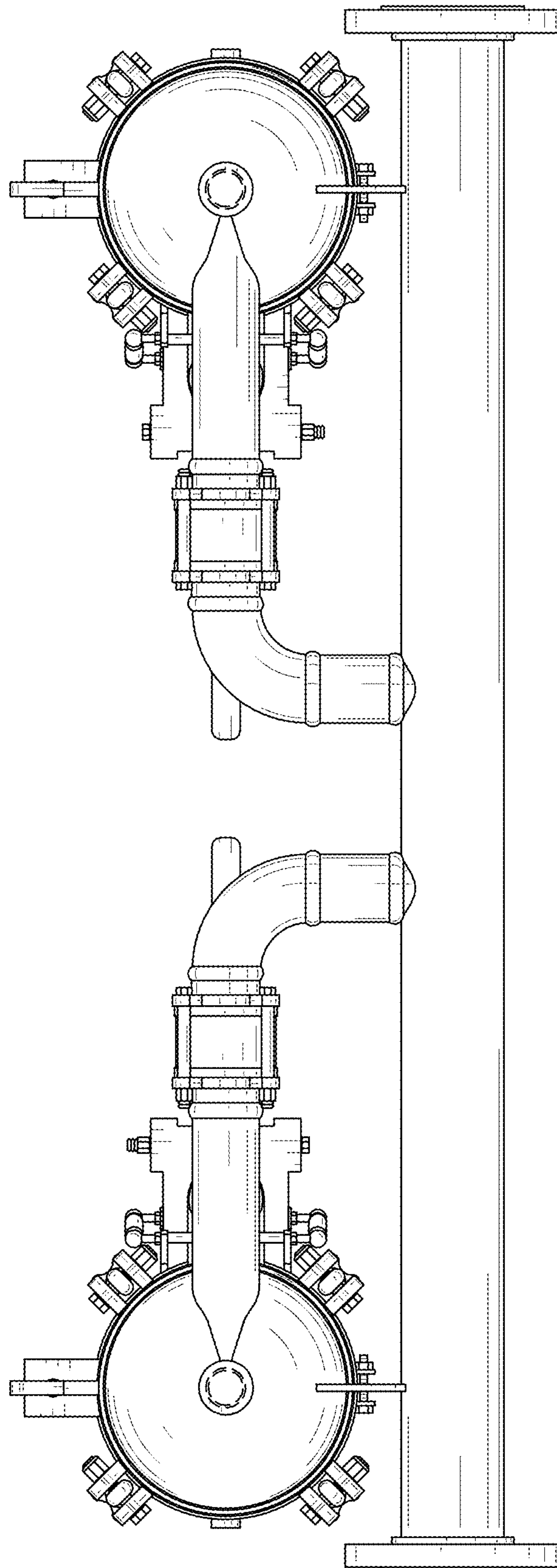


FIG. 6

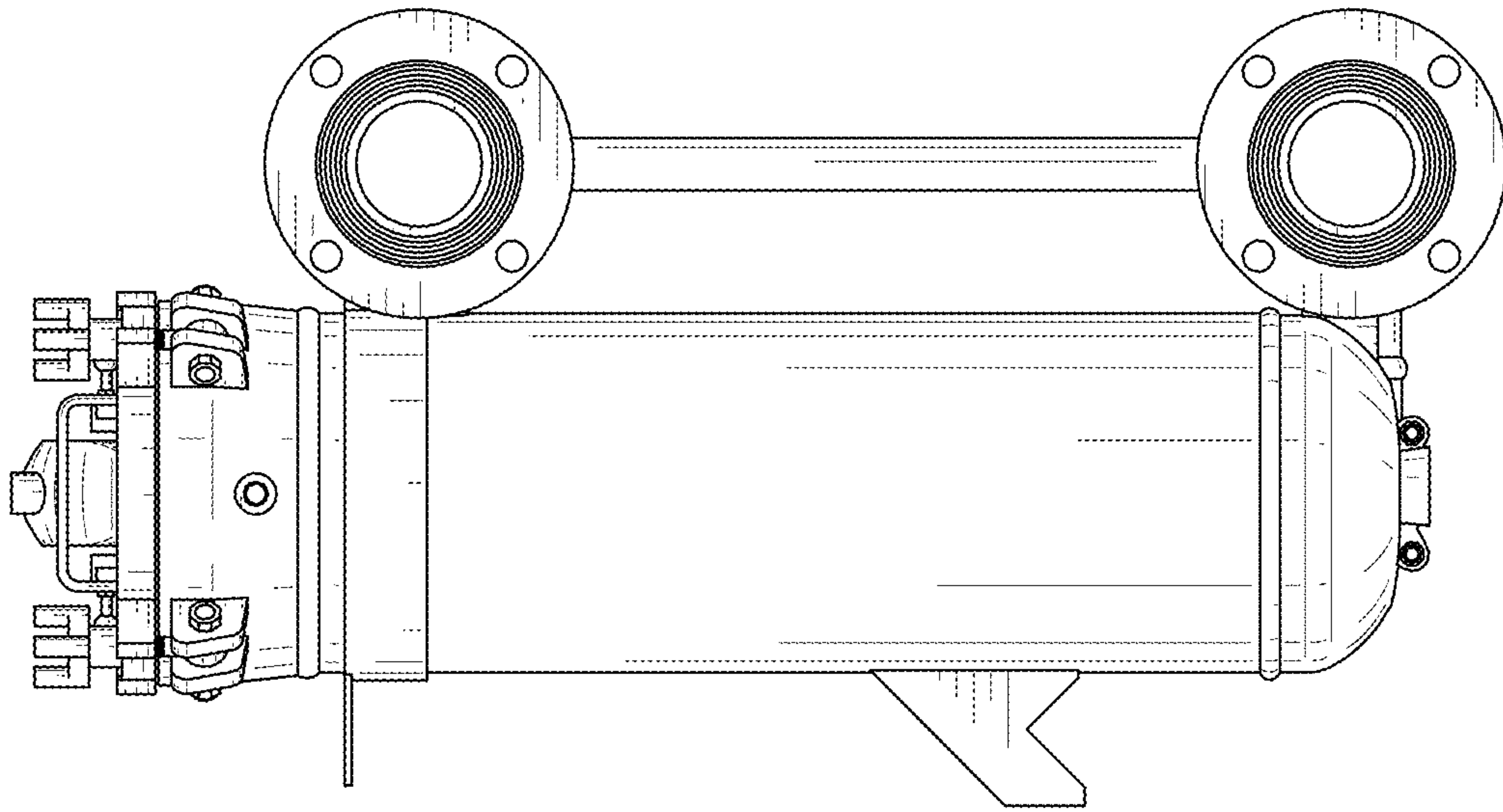


FIG. 8

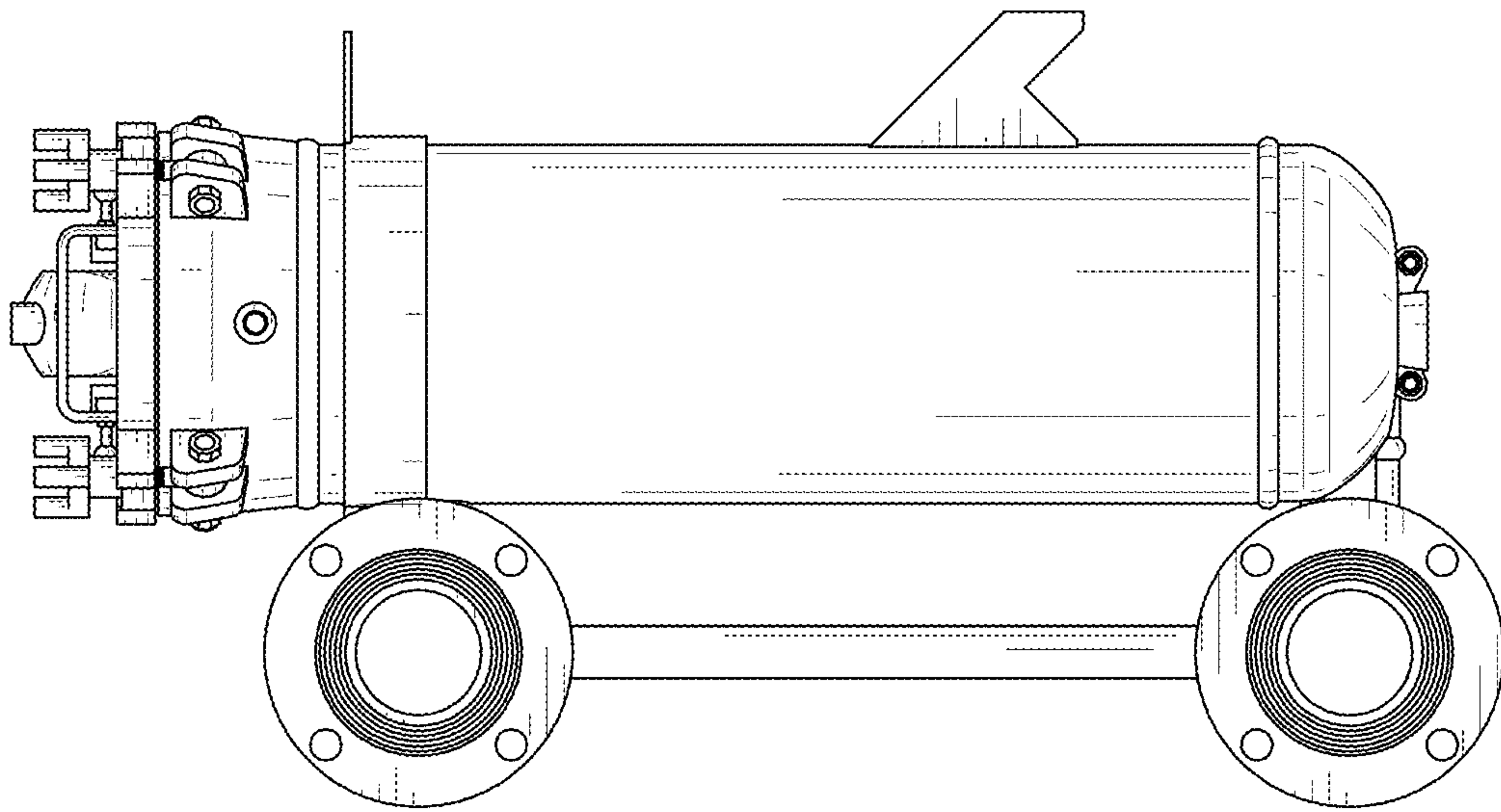


FIG. 7