



US00D894326S

(12) **United States Design Patent**  
**Sommerfeld et al.**

(10) **Patent No.:** **US D894,326 S**

(45) **Date of Patent:** **\*\* Aug. 25, 2020**

(54) **WATER TESTING APPARATUS**  
(71) Applicant: **CANADIAN TIRE CORPORATION LIMITED**, Toronto (CA)  
(72) Inventors: **Tim Sommerfeld**, Kitchener (CA);  
**Sean Zylstra**, Kitchener (CA)  
(73) Assignee: **CANADIAN TIRE CORPORATION LIMITED**, Toronto, Ontario

D555,759 S \* 11/2007 Vreeland ..... D23/209  
D559,943 S \* 1/2008 Mercer ..... D23/207  
D610,741 S \* 2/2010 Trimi ..... D26/120  
D675,893 S \* 2/2013 Chen ..... D8/25  
D768,809 S \* 10/2016 Krotz ..... D23/200  
D836,751 S \* 12/2018 Li ..... F21S 9/02  
D23/201

(\*\*) Term: **15 Years**

\* cited by examiner

*Primary Examiner* — Sheryl Lane

*Assistant Examiner* — Calvin E Vansant

(74) *Attorney, Agent, or Firm* — Lorelei G. Graham

(21) Appl. No.: **29/682,779**

(22) Filed: **Mar. 7, 2019**

(30) **Foreign Application Priority Data**

Sep. 13, 2018 (CA) ..... 183598

(51) **LOC (12) Cl.** ..... **23-01**

(52) **U.S. Cl.**  
USPC ..... **D23/207**

(58) **Field of Classification Search**  
USPC ..... D23/200, 202, 207-210; D6/512, 542;  
D7/306-308; D9/448  
CPC ..... B01D 5/006; B01D 35/30; C02F 1/002;  
C02F 1/003  
See application file for complete search history.

(56) **References Cited**

**U.S. PATENT DOCUMENTS**

4,088,880 A \* 5/1978 Walsh ..... F21S 9/02  
239/18  
D475,116 S \* 5/2003 Chan ..... D23/201

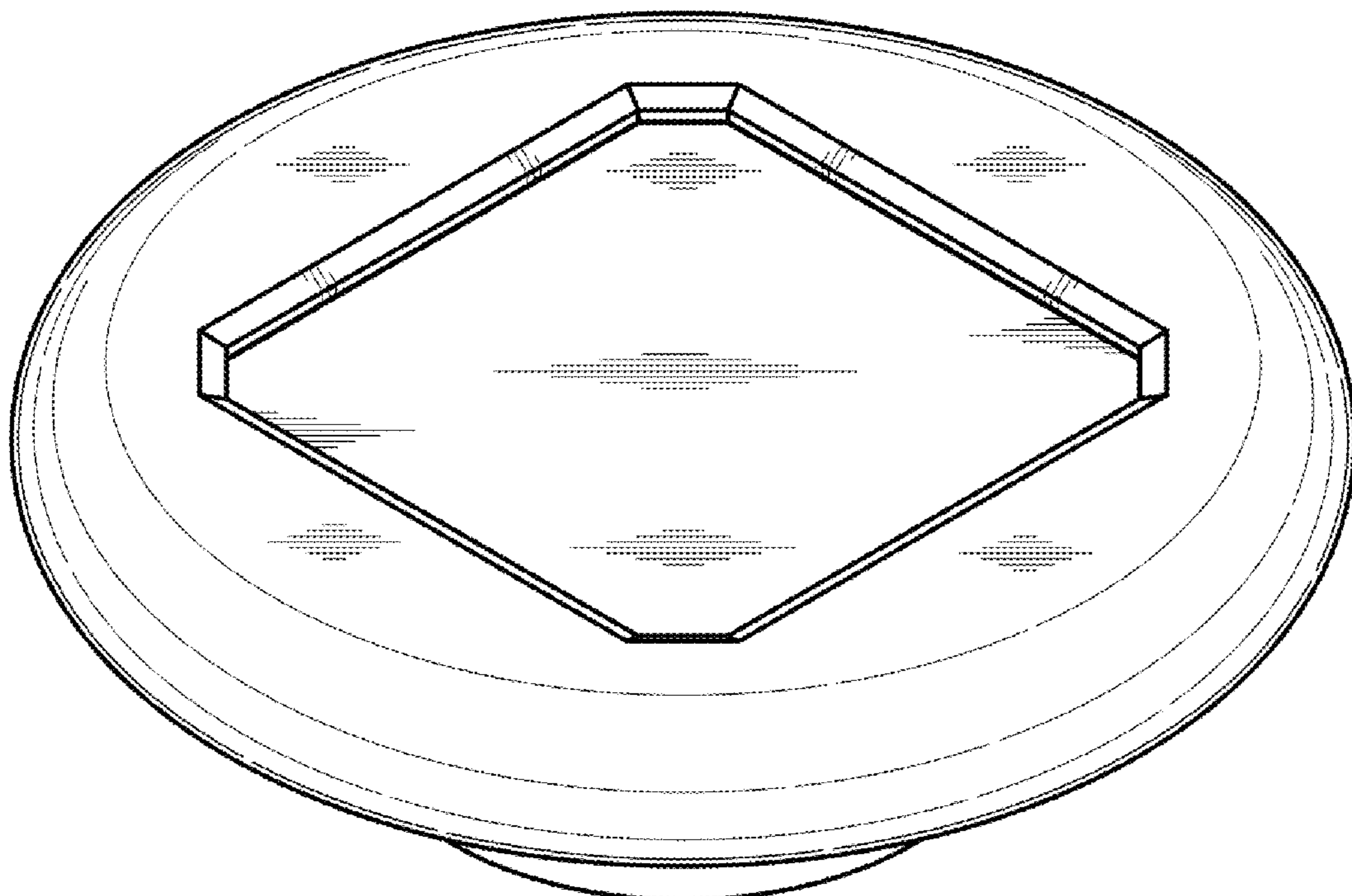
(57) **CLAIM**

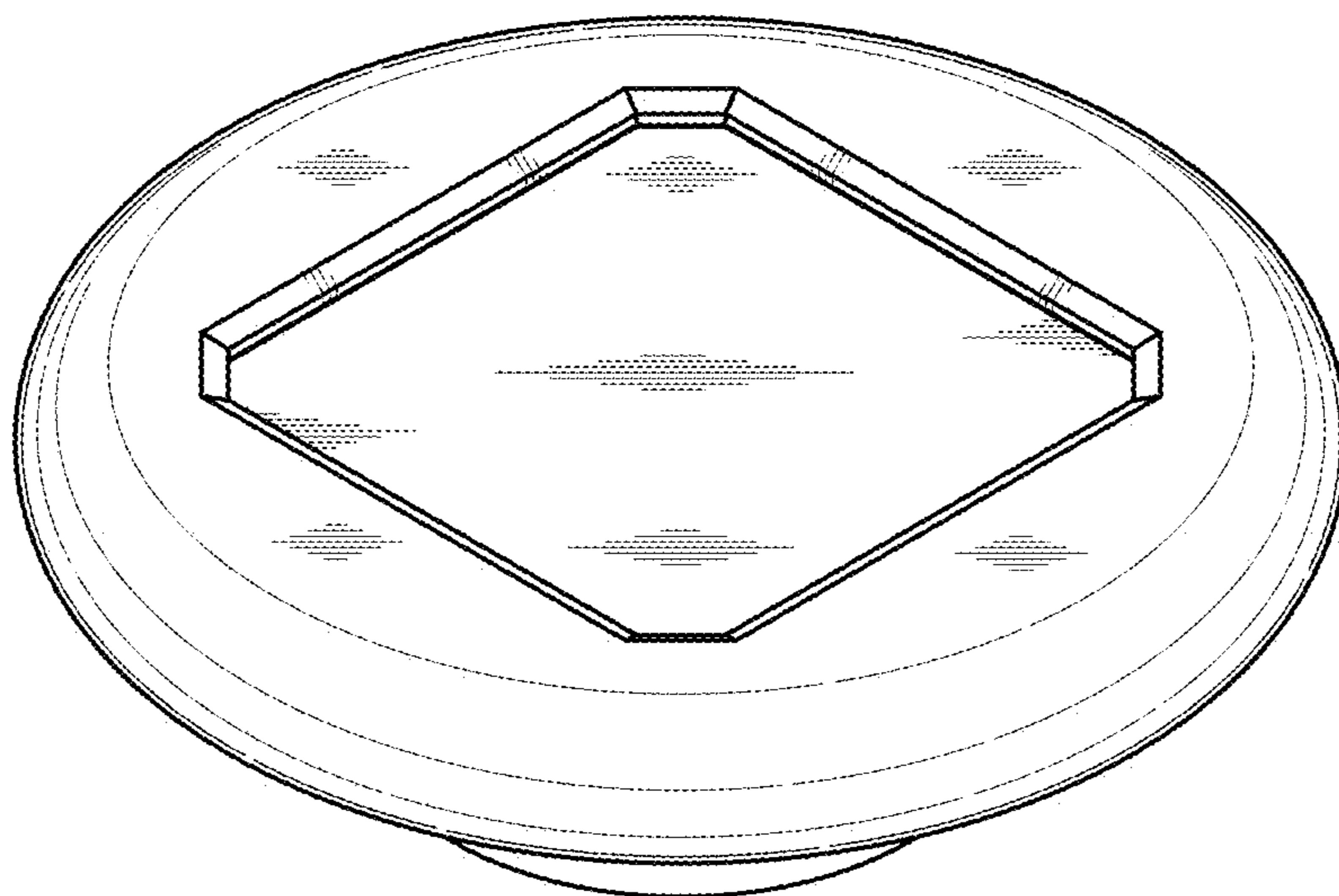
The ornamental design for a water testing apparatus, as shown and described.

**DESCRIPTION**

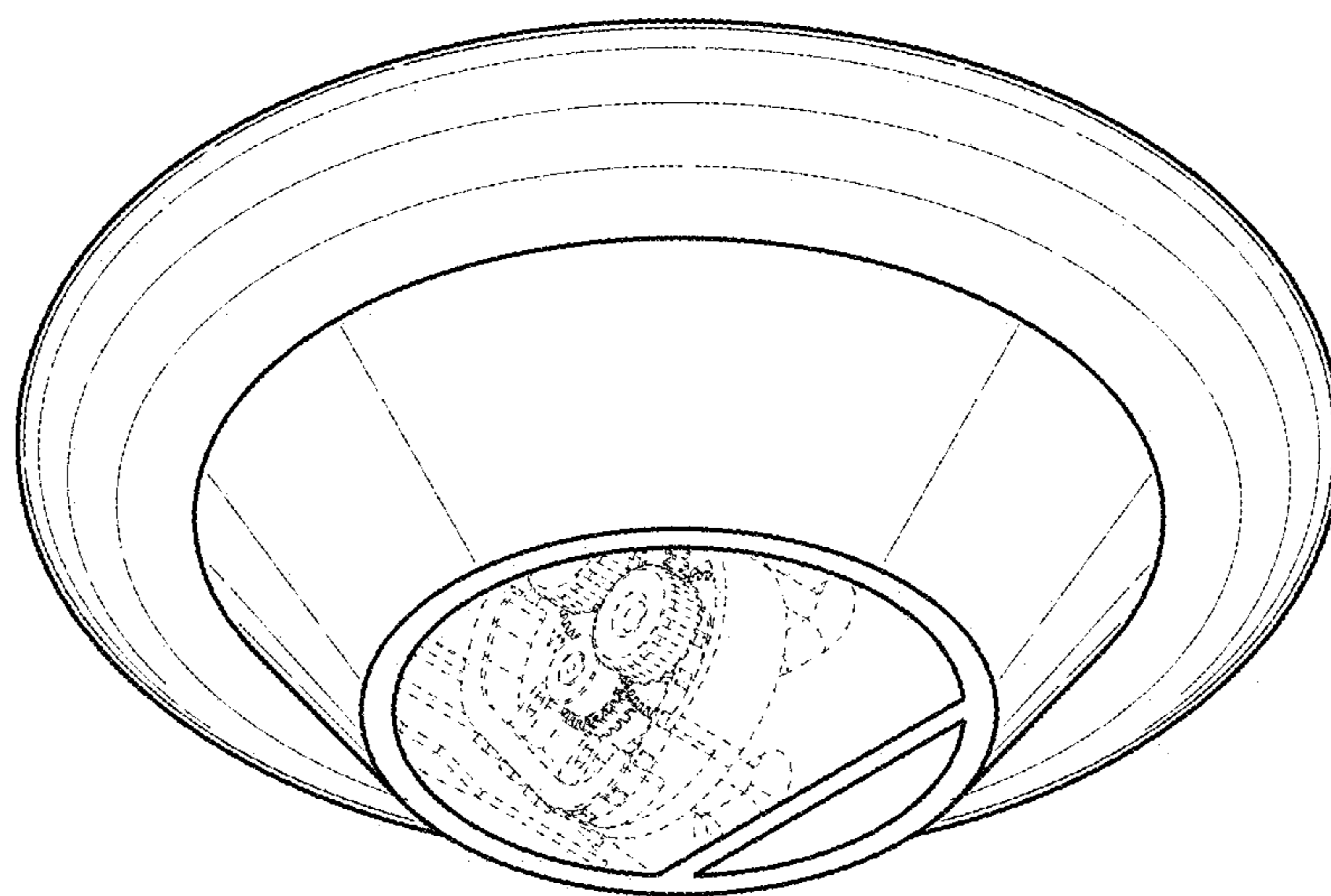
FIG. 1 is a top isometric view of a water testing apparatus; FIG. 2 is a bottom isometric view thereof; FIG. 3 is a top view thereof; FIG. 4 is a bottom view thereof; FIG. 5 is a left side view thereof; FIG. 6 is a right side view thereof; FIG. 7 is a back side view thereof; and, FIG. 8 is a front side view thereof. The broken lines depict portions of the water testing apparatus that form no part of the claim.

**1 Claim, 3 Drawing Sheets**

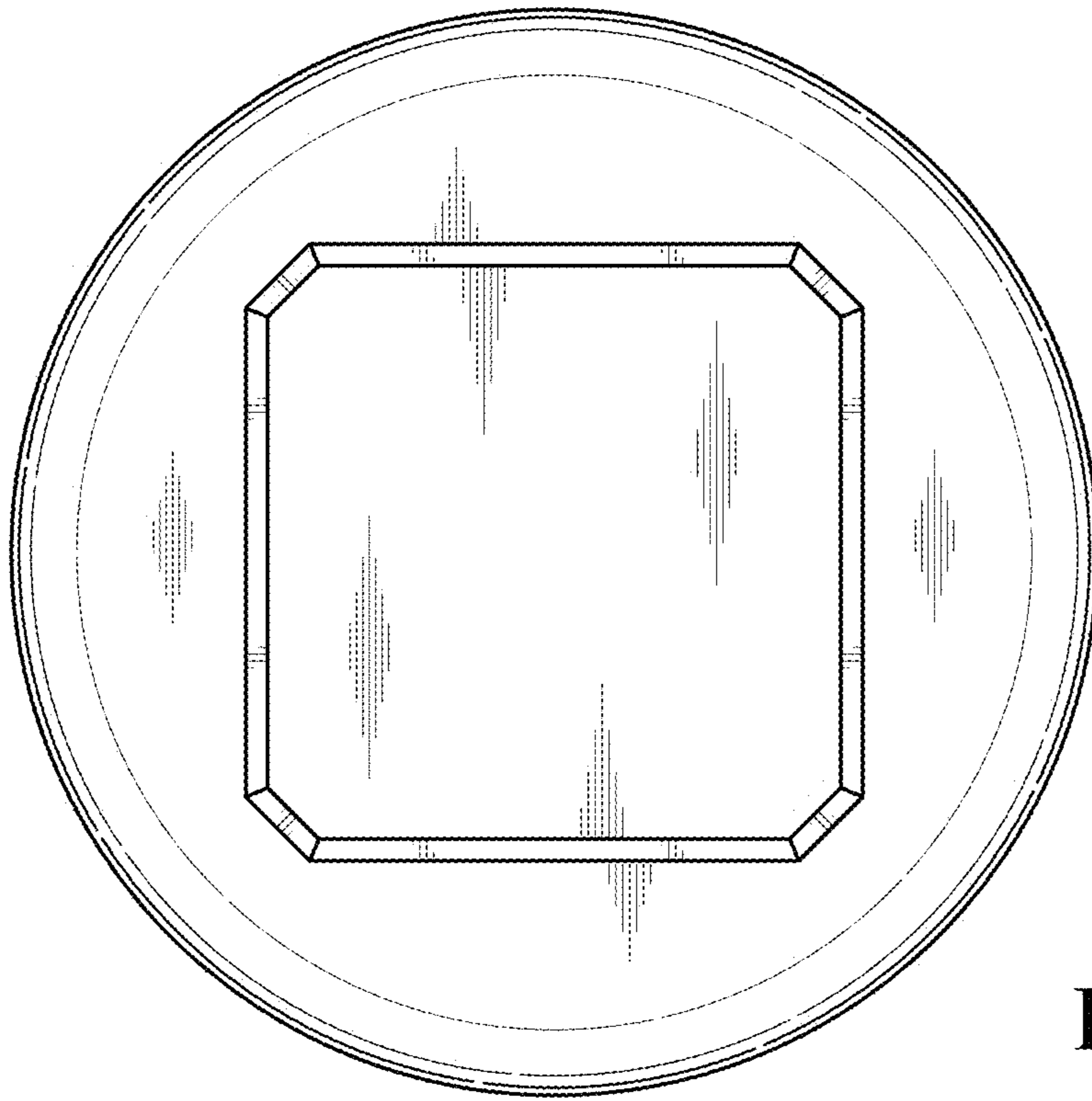




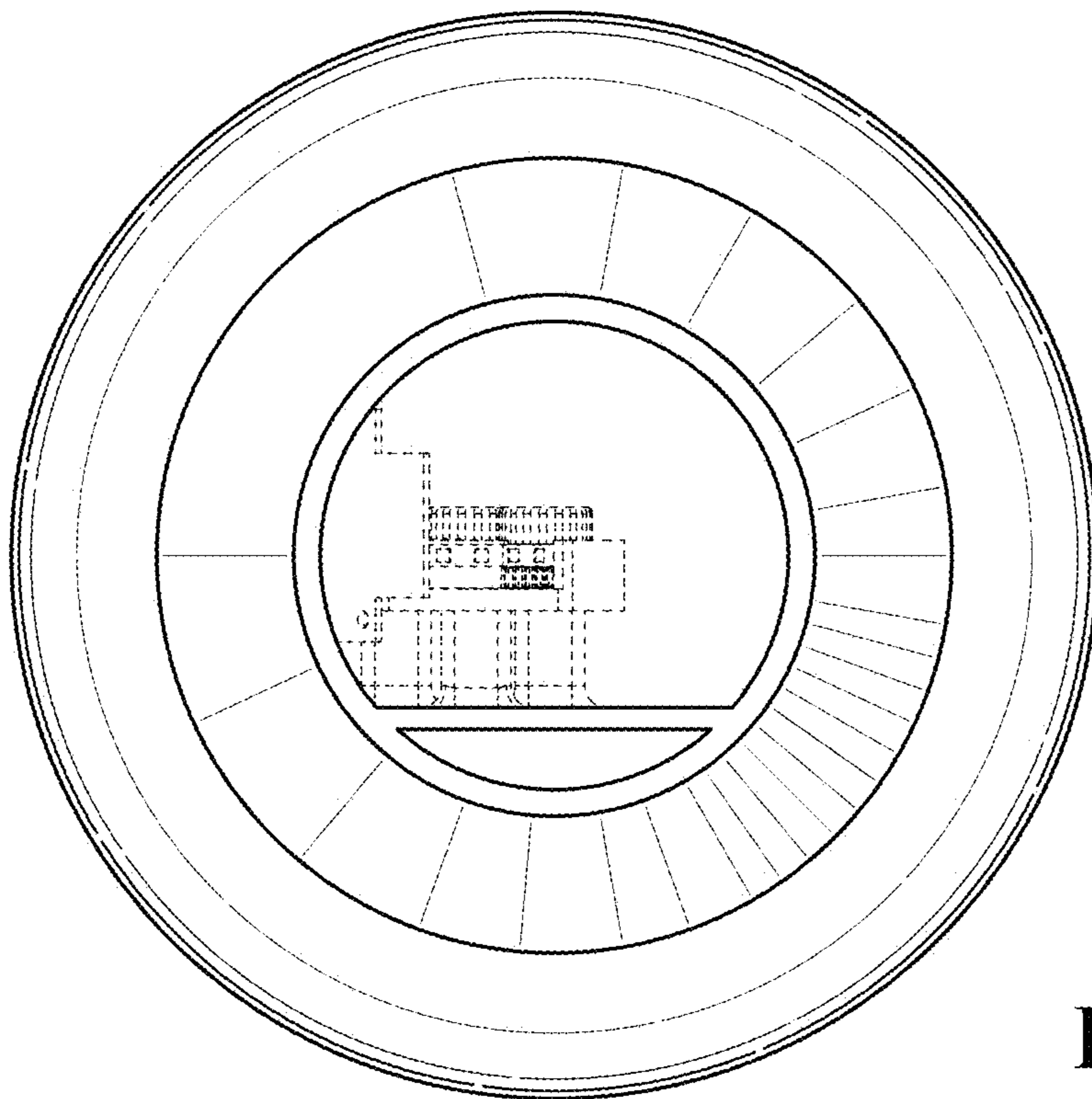
**FIG. 1**



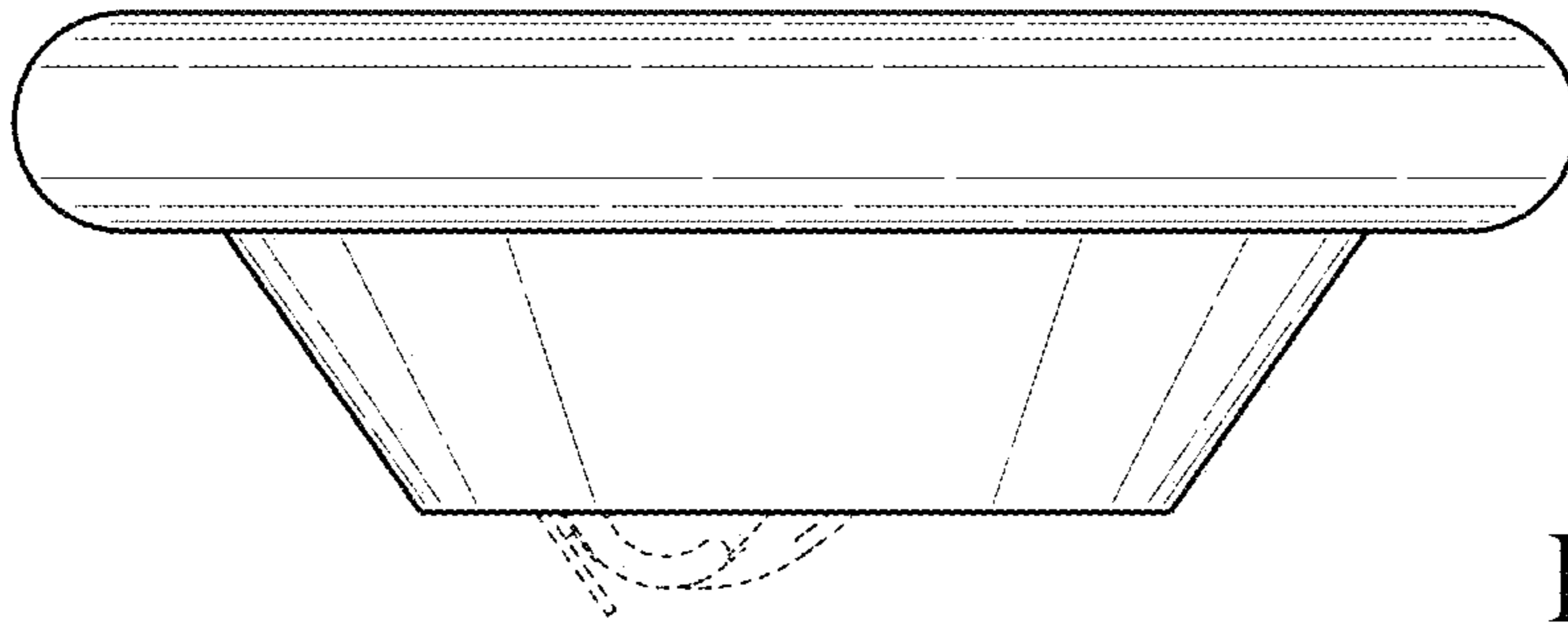
**FIG. 2**



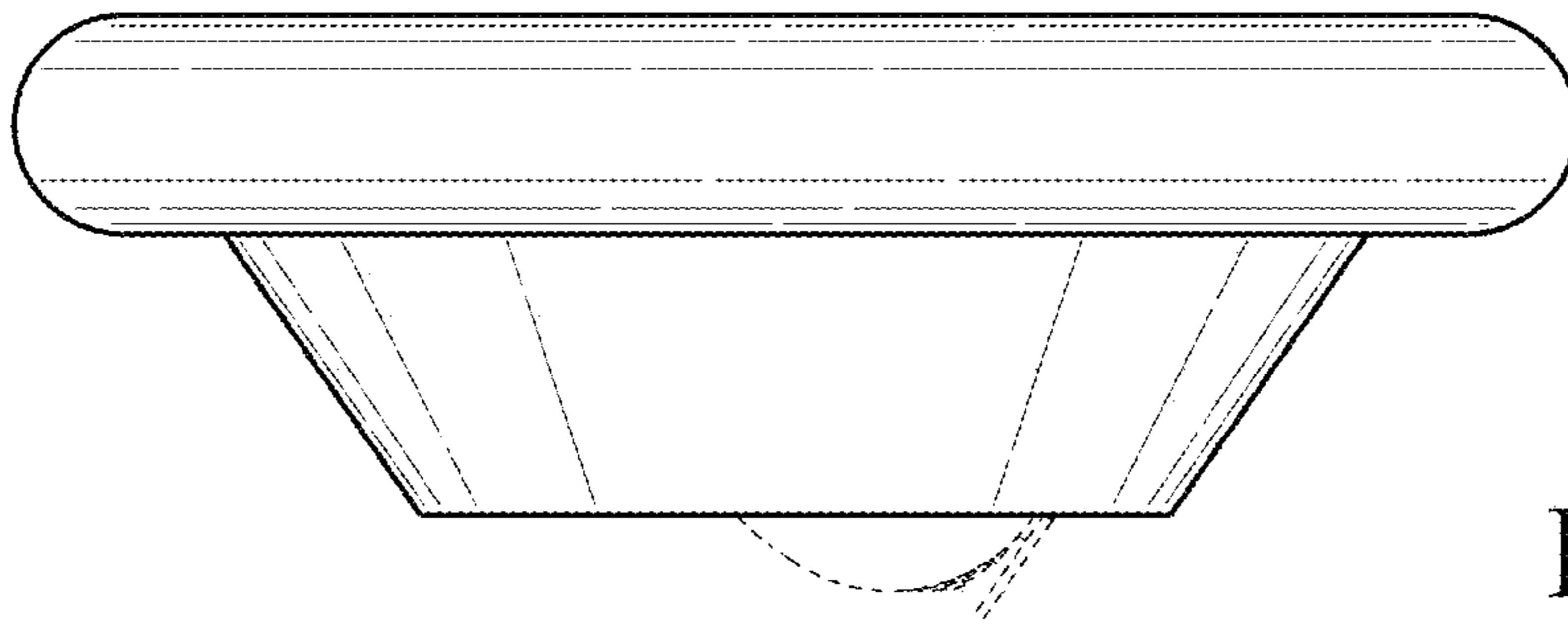
**FIG. 3**



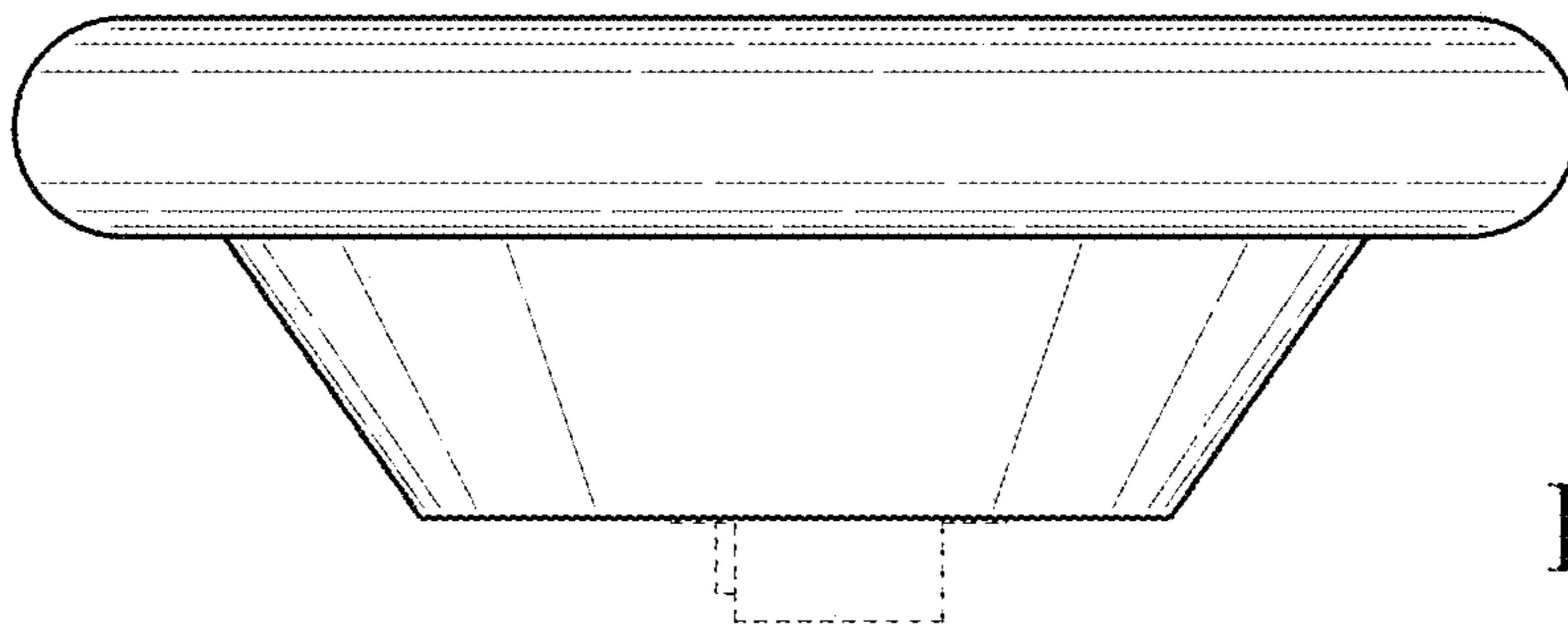
**FIG. 4**



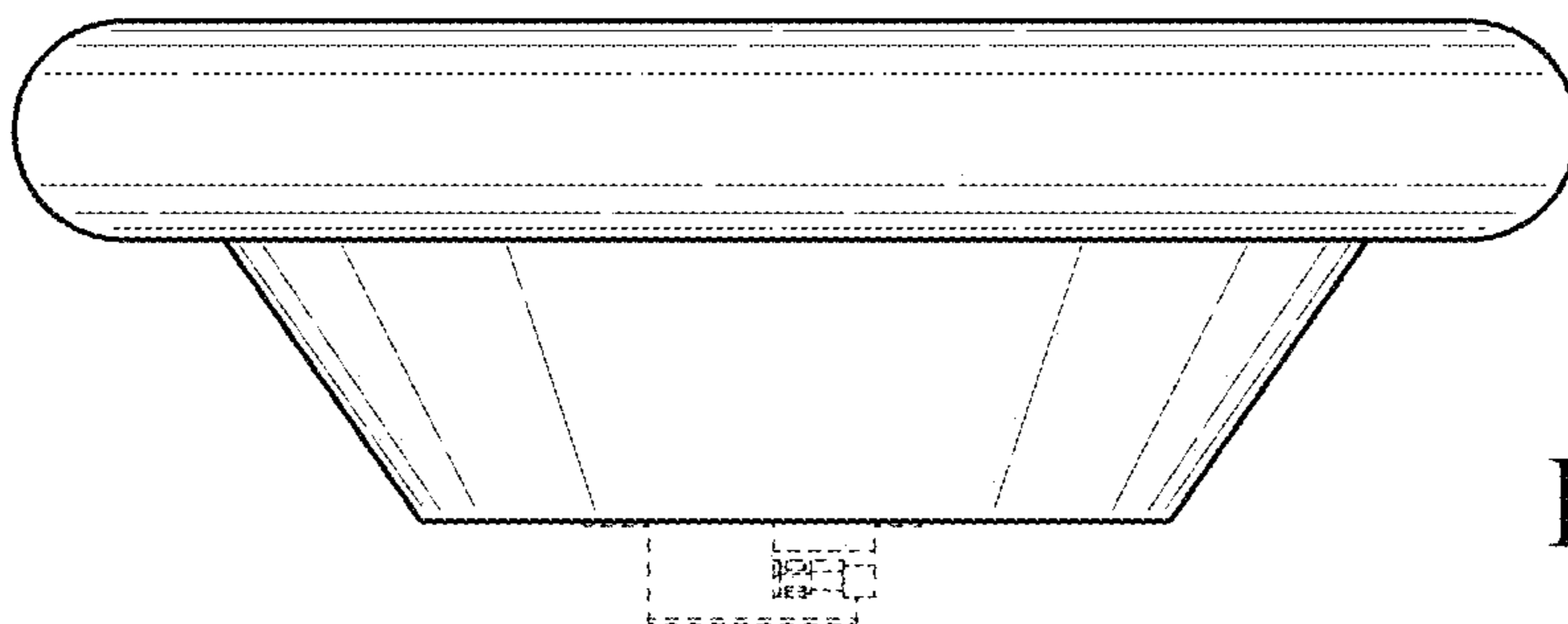
**FIG. 5**



**FIG. 6**



**FIG. 7**



**FIG. 8**