



US00D894324S

(12) **United States Design Patent** (10) **Patent No.:** **US D894,324 S**
Mullen et al. (45) **Date of Patent:** **** Aug. 25, 2020**

(54) **MOTORIZED FISHING REEL ASSEMBLY**

D550,324 S * 9/2007 Mullen D22/138
7,269,922 B1 * 9/2007 Mack A01K 87/007
43/21
8,833,689 B1 * 9/2014 Brown A01K 87/007
242/225

(71) Applicant: **One-Der-Reel, LLC**, Lakeville, PA
(US)

(72) Inventors: **Kym A. Mullen**, Narrowsburg, NY
(US); **Robert S. Walsh, Sr.**, Lakeville,
PA (US)

* cited by examiner

Primary Examiner — Catherine R Oliver-Garcia
(74) *Attorney, Agent, or Firm* — Massina Pat & TM Law
PLLC

(73) Assignee: **One-Der-Reel, LLC**, Lakeville, PA
(US)

(**) Term: **15 Years**

(57) **CLAIM**

The ornamental design for a motorized fishing reel assem-
bly, as shown and described.

(21) Appl. No.: **29/680,645**

DESCRIPTION

(22) Filed: **Feb. 19, 2019**

(51) **LOC (12) Cl.** **22-05**

(52) **U.S. Cl.**
USPC **D22/137**

(58) **Field of Classification Search**
USPC D22/137-141; 242/225, 263, 323;
74/625, 501.5 R, 502; 43/21
CPC .. A01K 89/012; A01K 89/006; A01K 89/017;
A01K 89/01121; A01K 89/01928
See application file for complete search history.

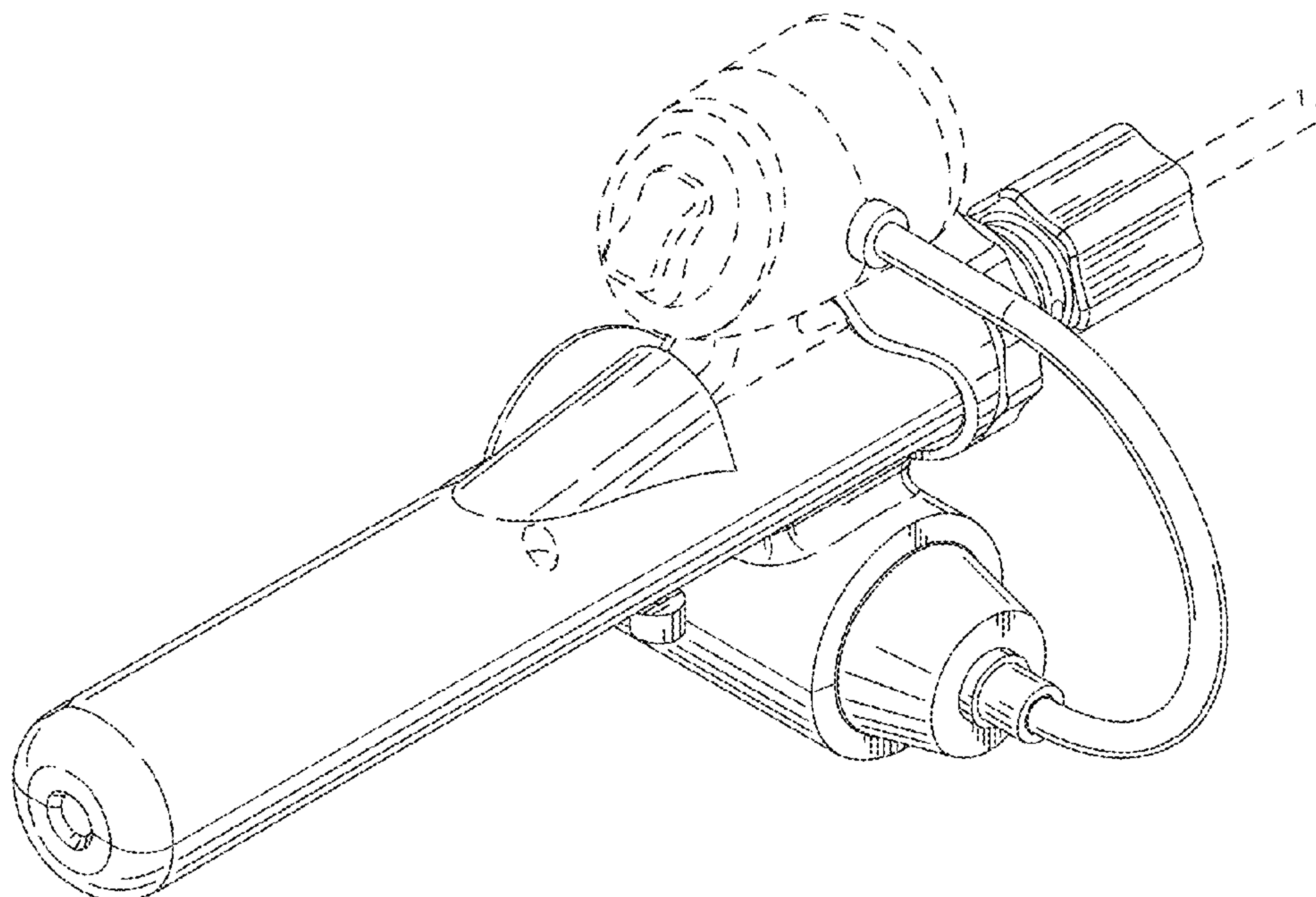
FIG. 1 is a rear isometric view of a motorized fishing reel assembly according to the present invention.
FIG. 2 is a front isometric view of the motorized fishing reel assembly shown in FIG. 1.
FIG. 3 is a right side view of the motorized fishing reel assembly shown in FIG. 1.
FIG. 4 is a left side view of the motorized fishing reel assembly shown in FIG. 1.
FIG. 5 is a front elevation view of the motorized fishing reel assembly shown in FIG. 1.
FIG. 6 is a rear elevation view of the motorized fishing reel assembly shown in FIG. 1.
FIG. 7 is a bottom plan view of the motorized fishing reel assembly shown in FIG. 1; and,
FIG. 8 is a top plan view of the motorized fishing reel assembly shown in FIG. 1.
The broken lines illustrate portions of an exemplary reel and an exemplary rod which are environmental and form no part of the claimed design.

(56) **References Cited**

U.S. PATENT DOCUMENTS

D189,721 S * 2/1961 Hull D22/138
5,088,657 A * 2/1992 Chen A01K 89/006
242/225
6,012,665 A * 1/2000 Olona A01K 89/012
242/250
6,056,219 A * 5/2000 Barkley A01K 89/012
242/225
D466,580 S * 12/2002 Lu D22/137

1 Claim, 7 Drawing Sheets



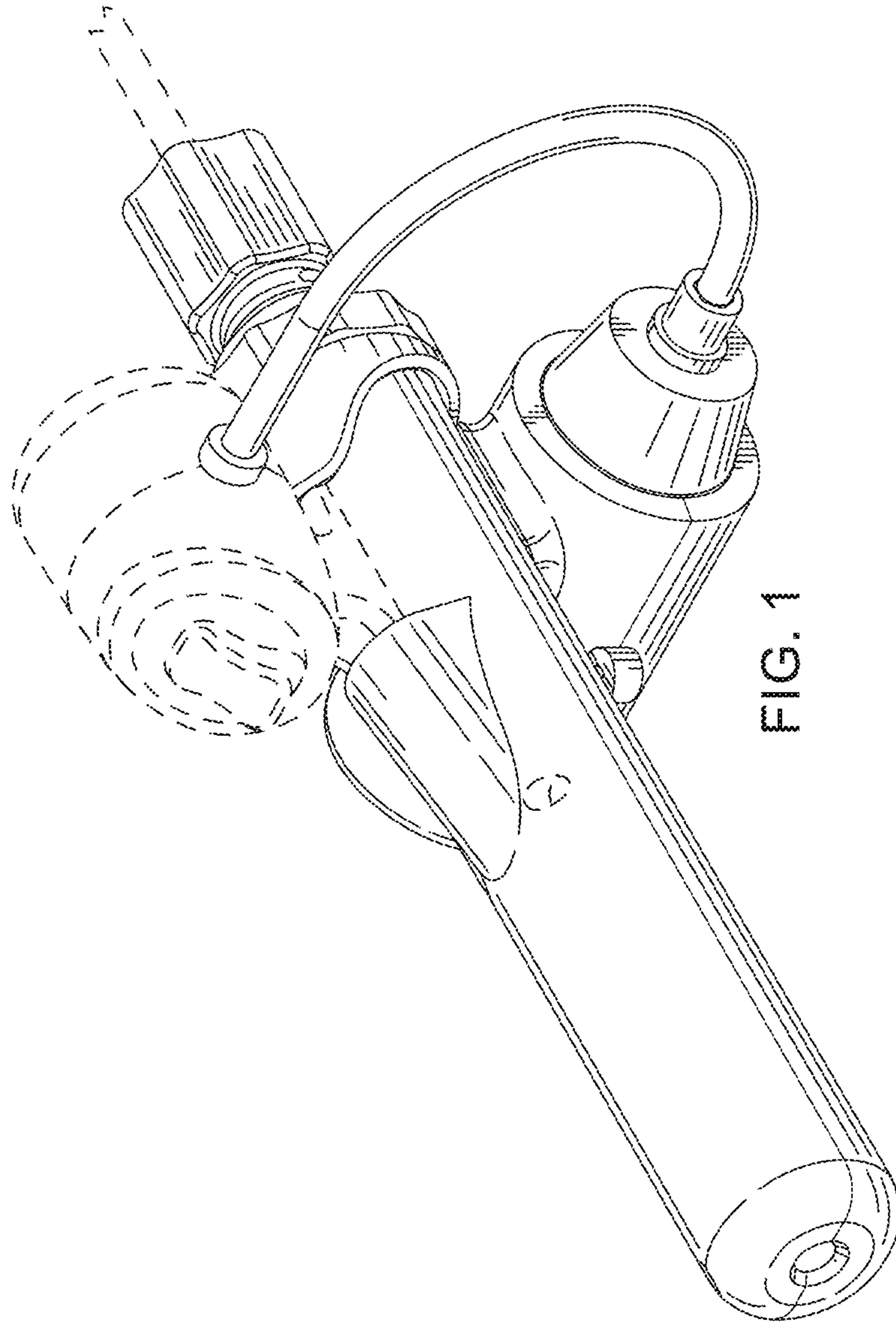


FIG. 1

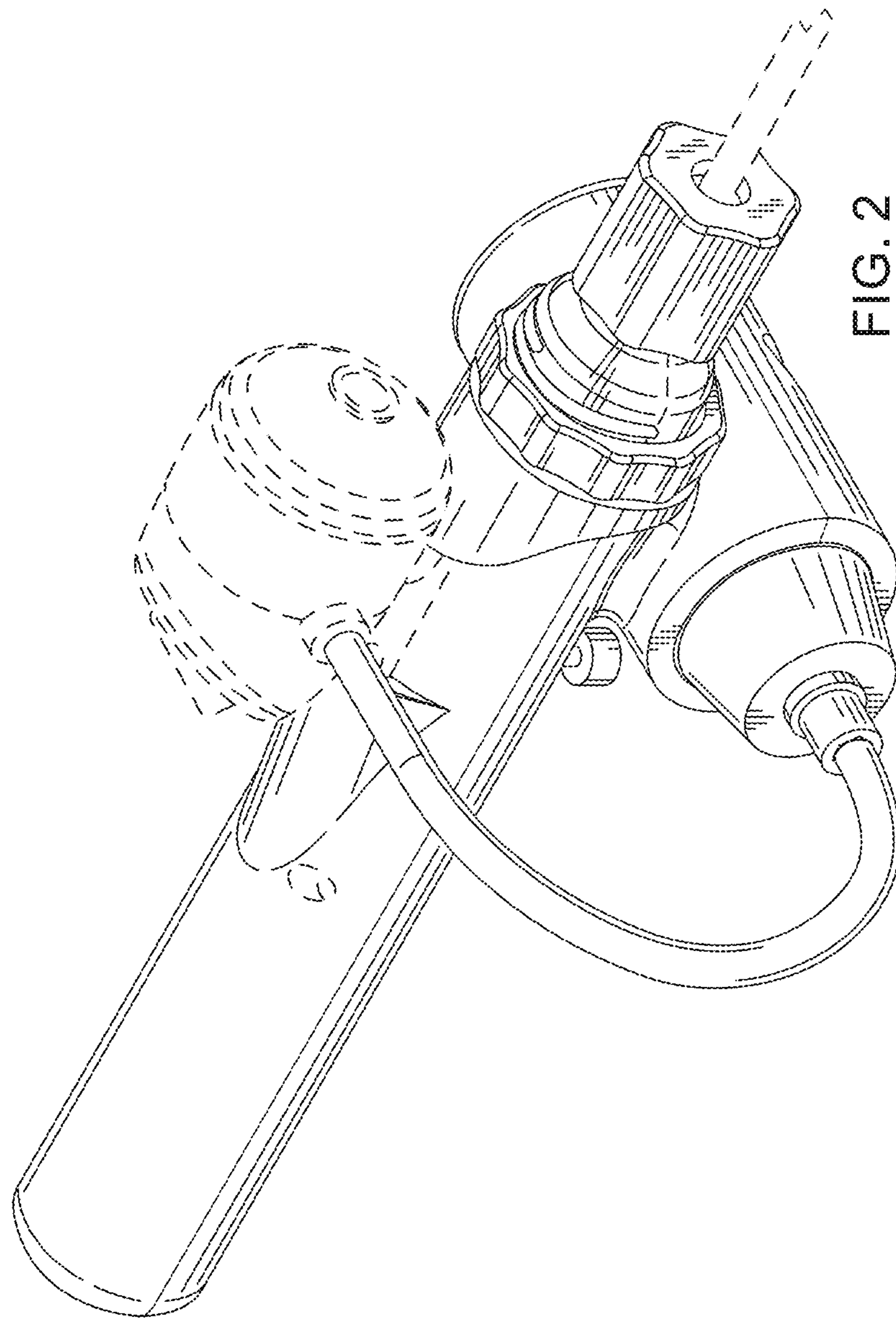


FIG. 2

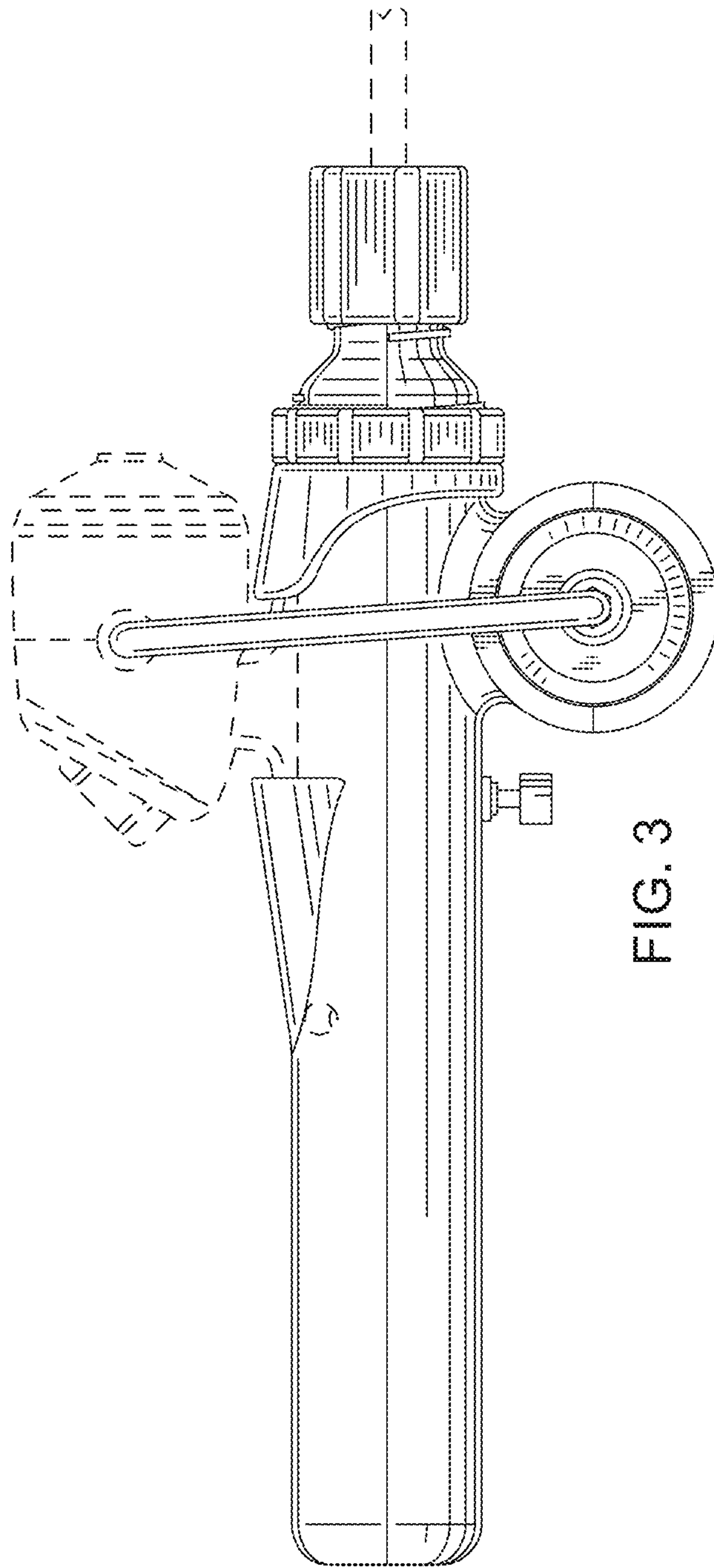


FIG. 3

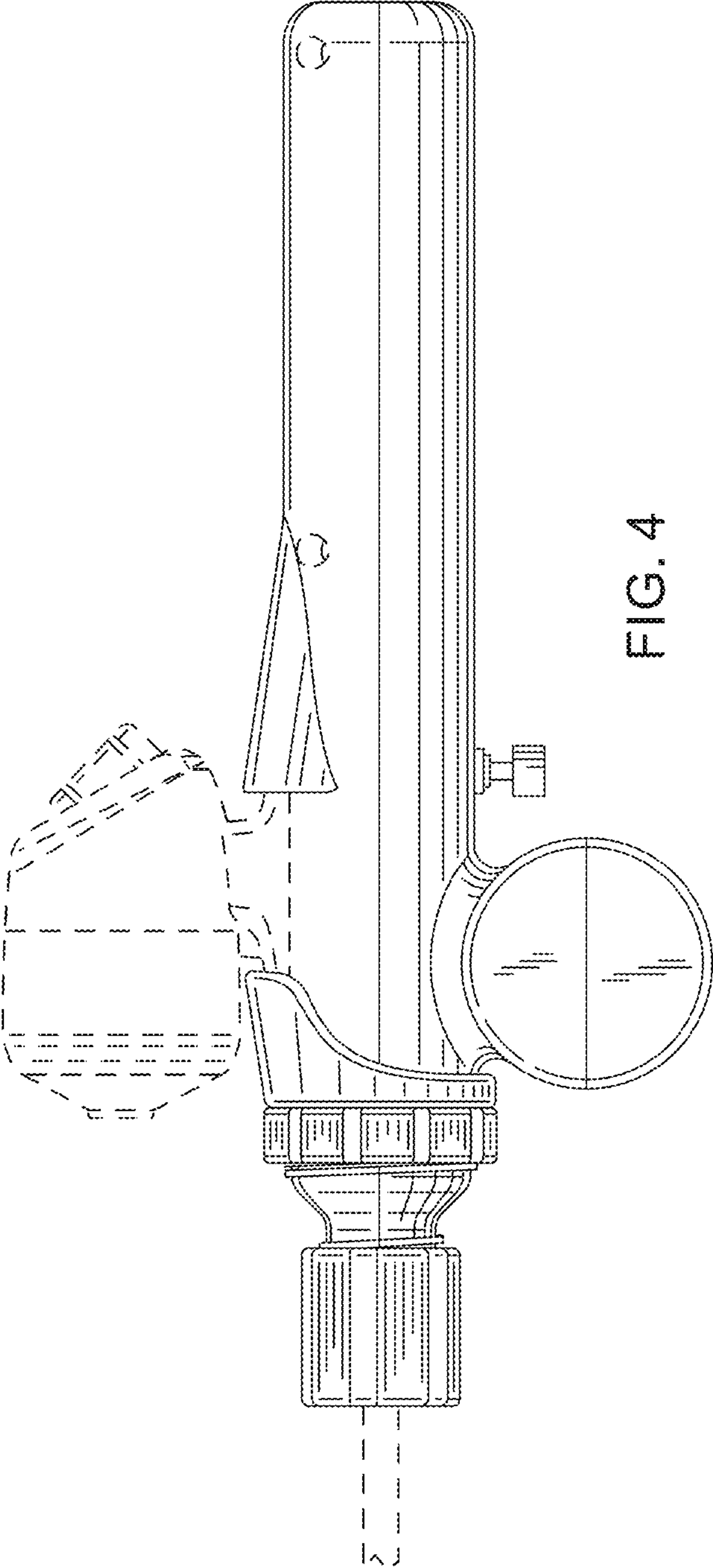


FIG. 4

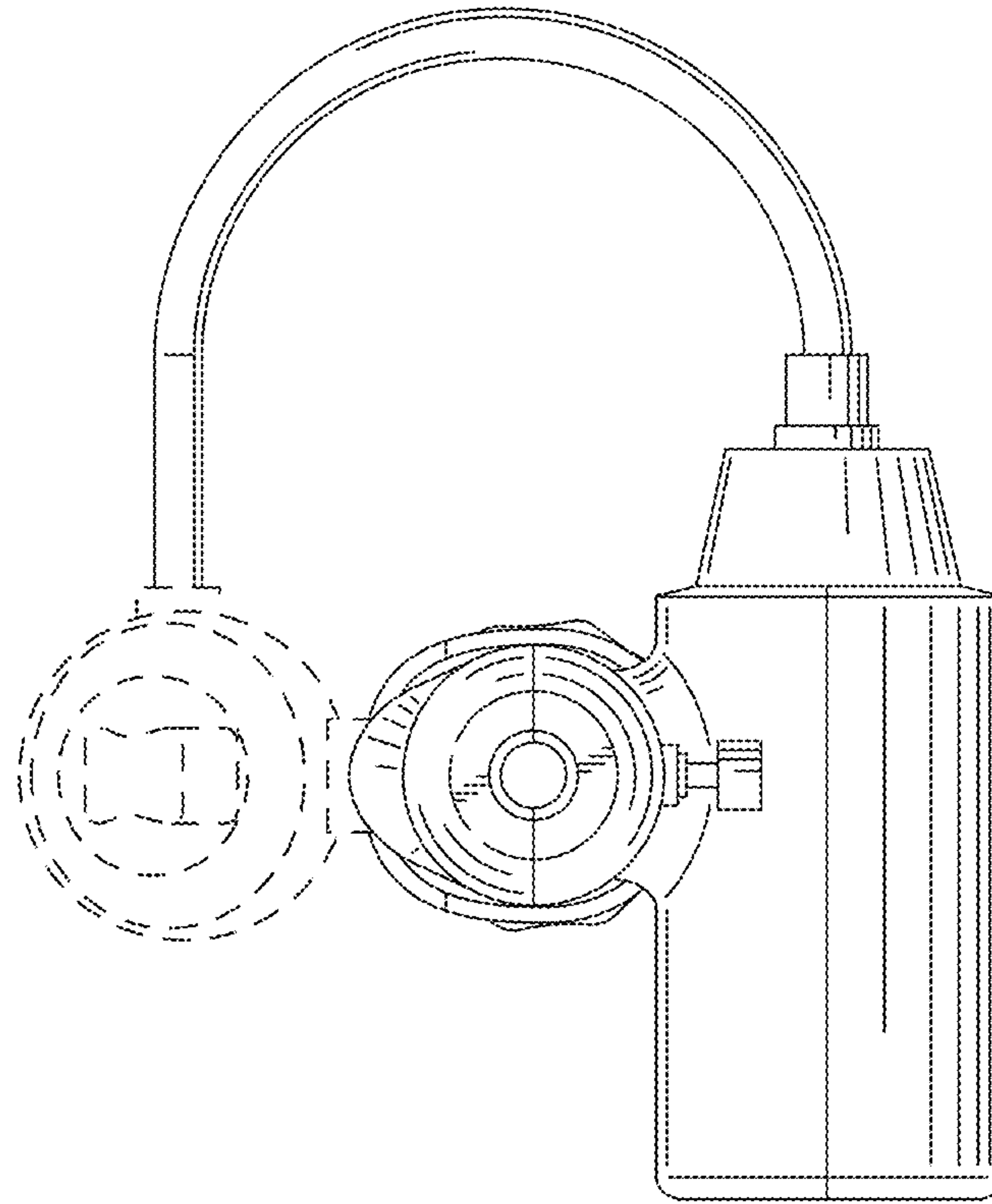


FIG. 6

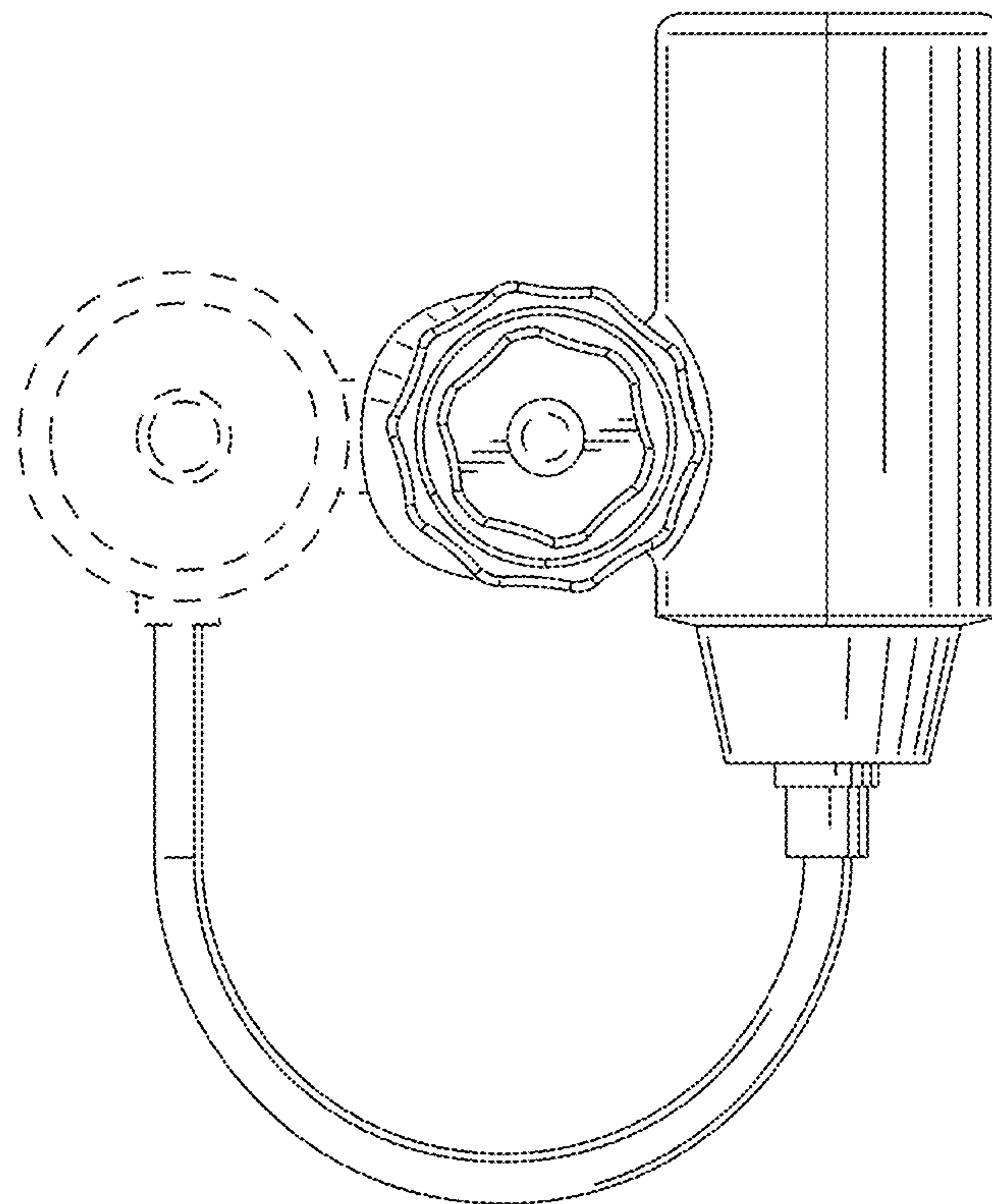
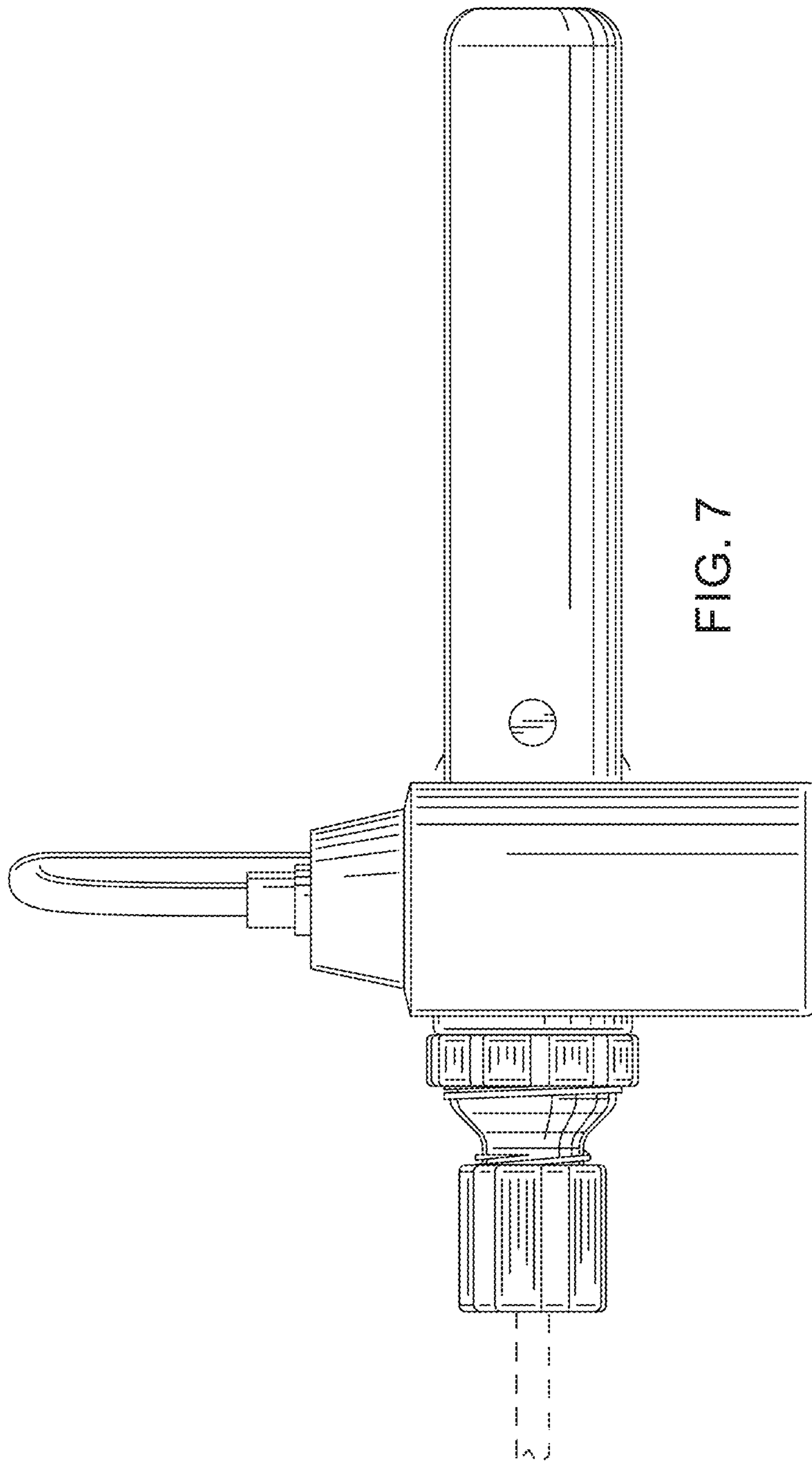


FIG. 5



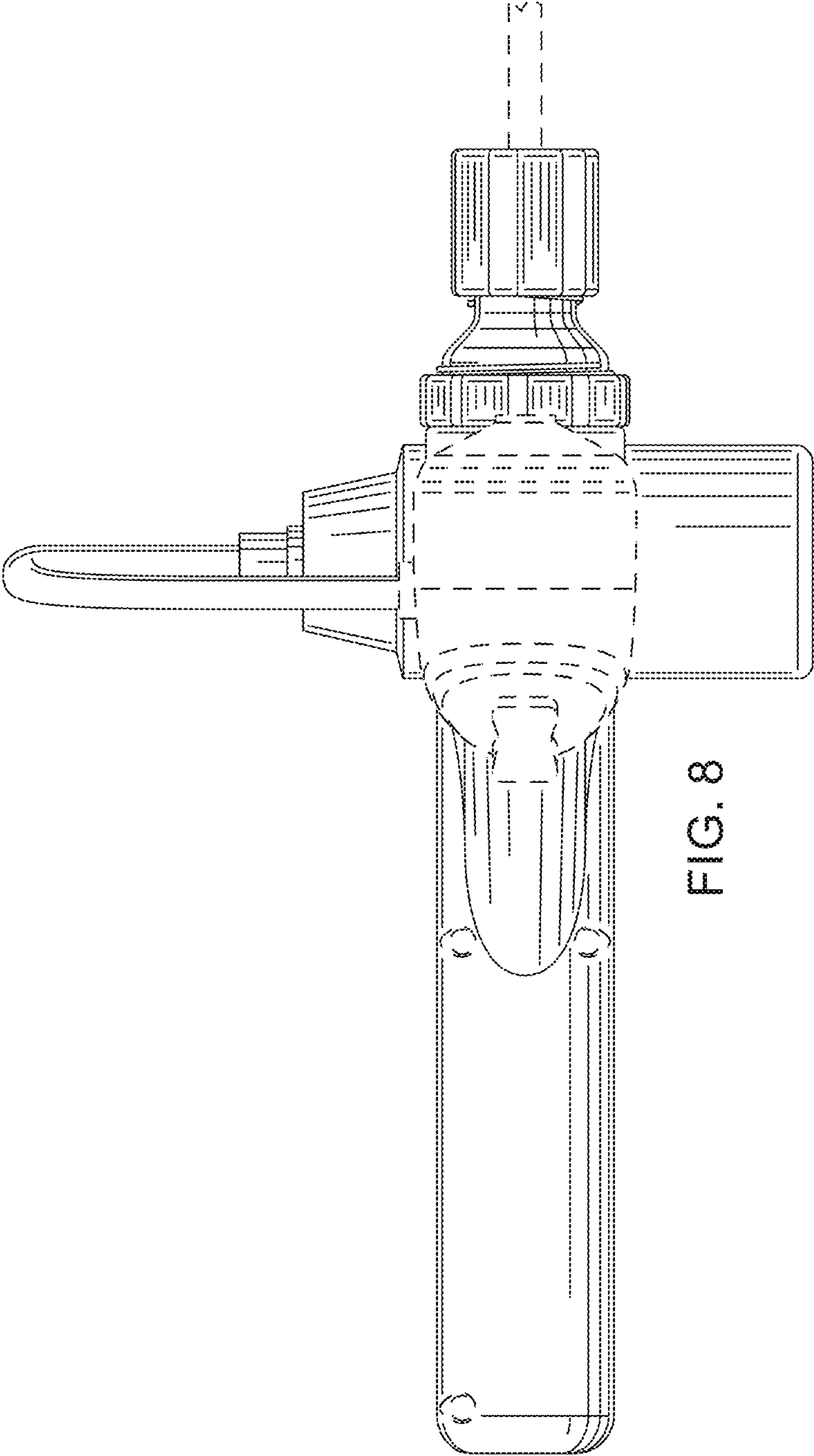


FIG. 8