



US00D894323S

(12) **United States Design Patent**  
**Byrd et al.**

(10) **Patent No.:** **US D894,323 S**

(45) **Date of Patent:** **\*\* Aug. 25, 2020**

- (54) **FISHNET FRAME**
- (71) Applicants: **Bob-Light, LLC**, Mobile, AL (US);  
**Mark Byrd**, Mobile, AL (US)
- (72) Inventors: **Mark Byrd**, Mobile, AL (US); **Glenn Weatherby**, Waxahachie, TX (US)
- (\*\*) Term: **15 Years**
- (21) Appl. No.: **29/614,192**
- (22) Filed: **Aug. 16, 2017**
- (51) **LOC (12) Cl.** ..... **22-05**
- (52) **U.S. Cl.**  
USPC ..... **D22/135**
- (58) **Field of Classification Search**  
USPC ..... D22/134, 135; D21/305, 723, 725, 729  
CPC ..... A01K 69/02; A01K 69/00; A01K 77/00  
See application file for complete search history.

- 4,839,980 A \* 6/1989 Hersom ..... A01K 77/00  
43/11
- 4,870,773 A \* 10/1989 Schmucker ..... A01K 77/00  
43/12
- D319,681 S \* 9/1991 Mengo ..... D22/135
- 5,219,165 A \* 6/1993 Janes ..... A63B 49/02  
473/535
- D355,461 S \* 2/1995 Feeney ..... D10/125
- 5,456,037 A \* 10/1995 Dorval ..... A01K 77/00  
24/3.2
- D372,511 S \* 8/1996 Bernardino ..... D21/729
- D458,324 S \* 6/2002 Shen ..... D21/729
- D474,820 S \* 5/2003 Davis ..... D21/729
- 6,796,075 B2 \* 9/2004 Maguire ..... A01K 77/00  
43/12
- D514,639 S \* 2/2006 Hernandez ..... D21/729
- D561,279 S \* 2/2008 Yu ..... D21/729

(Continued)

*Primary Examiner* — Khawaja Anwar  
*Assistant Examiner* — Mojtaba Tehrani  
 (74) *Attorney, Agent, or Firm* — AdamsIP, LLC; J. Hunter Adams; Stephen Thompson

(56) **References Cited**

**U.S. PATENT DOCUMENTS**

- 939,381 A \* 11/1909 Barnes ..... A01K 77/00  
43/12
- 1,340,874 A \* 5/1920 Brown ..... A01K 77/00  
43/12
- 2,486,163 A \* 10/1949 Jennings ..... A01K 77/00  
43/11
- 2,600,773 A \* 6/1952 Hungerford ..... A01K 77/00  
43/12
- 3,077,237 A \* 2/1963 Nakayama ..... A01K 77/00  
177/245
- 3,715,829 A \* 2/1973 Hamilton ..... A01K 77/00  
43/12
- 4,031,650 A \* 6/1977 Popeil ..... A01K 77/00  
43/12
- 4,516,347 A \* 5/1985 Dickie ..... A01K 77/00  
43/11
- D290,487 S \* 6/1987 Mortvedt ..... 473/539
- 4,765,420 A \* 8/1988 Mengo ..... A01K 77/00  
177/149

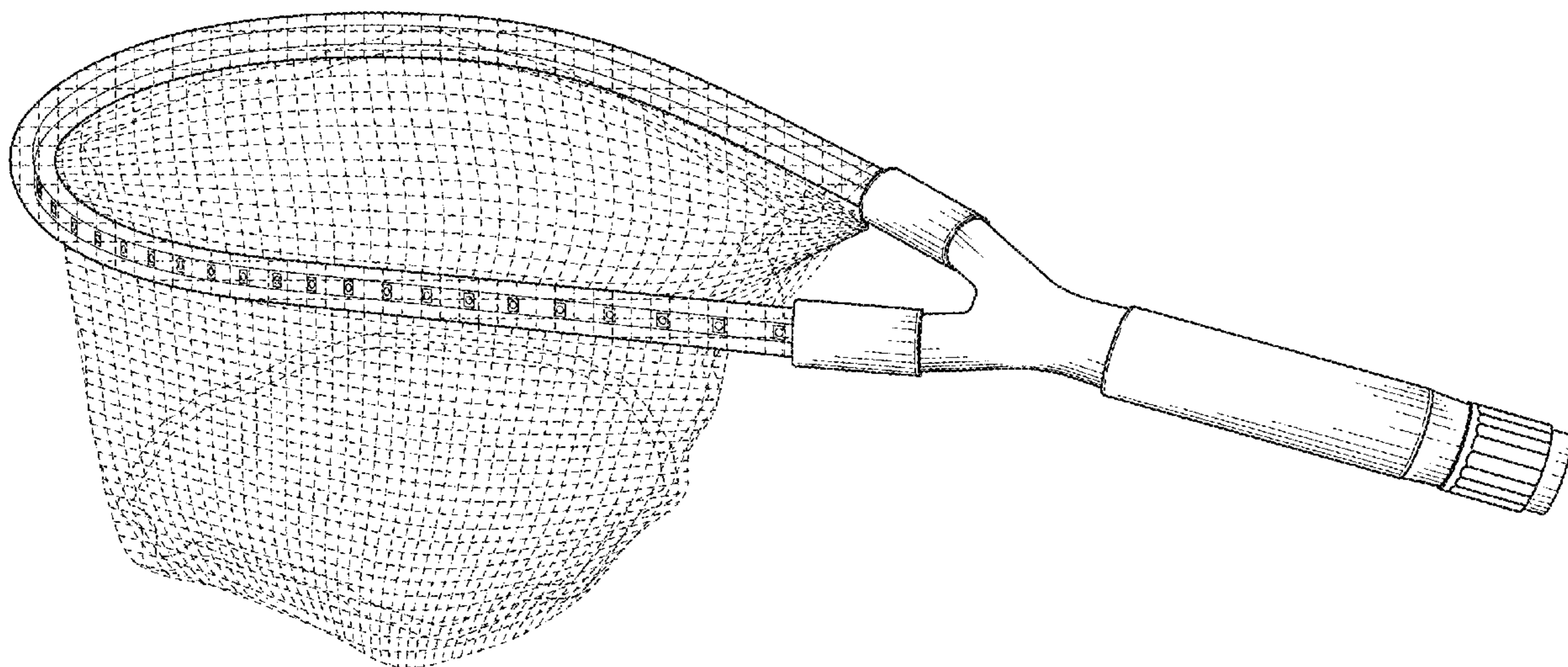
(57) **CLAIM**

The ornamental design for a fishnet frame, as shown and described.

**DESCRIPTION**

FIG. 1 is a side perspective view of a fishnet frame, showing our new design;  
 FIG. 2 is a front elevation view thereof;  
 FIG. 3 is a rear elevation view thereof;  
 FIG. 4 is a left side view thereof;  
 FIG. 5 is a right side view thereof;  
 FIG. 6 is a top plan view thereof; and,  
 FIG. 7 is a bottom plan view thereof.  
 The dashed broken lines in the drawing depict environmental subject matter only and form no part of the claimed design.

**1 Claim, 4 Drawing Sheets**



(56)

**References Cited**

U.S. PATENT DOCUMENTS

7,891,132 B2 \* 2/2011 Hetzner ..... A01K 77/00  
210/238  
D676,106 S \* 2/2013 Blood ..... D22/135  
D686,690 S \* 7/2013 Blood ..... D22/135  
D686,691 S \* 7/2013 Blood ..... D22/135  
8,631,810 B2 \* 1/2014 Blood ..... A45B 1/00  
135/66  
9,080,848 B1 \* 7/2015 Gold ..... G01B 3/04  
D735,823 S \* 8/2015 Malaby ..... D21/729  
D764,012 S \* 8/2016 Johnson ..... D22/135  
9,801,436 B2 \* 10/2017 Blood ..... A01K 77/00  
D855,148 S \* 7/2019 Xu ..... D22/135  
10,412,951 B2 \* 9/2019 Robinson ..... A01K 77/00

\* cited by examiner

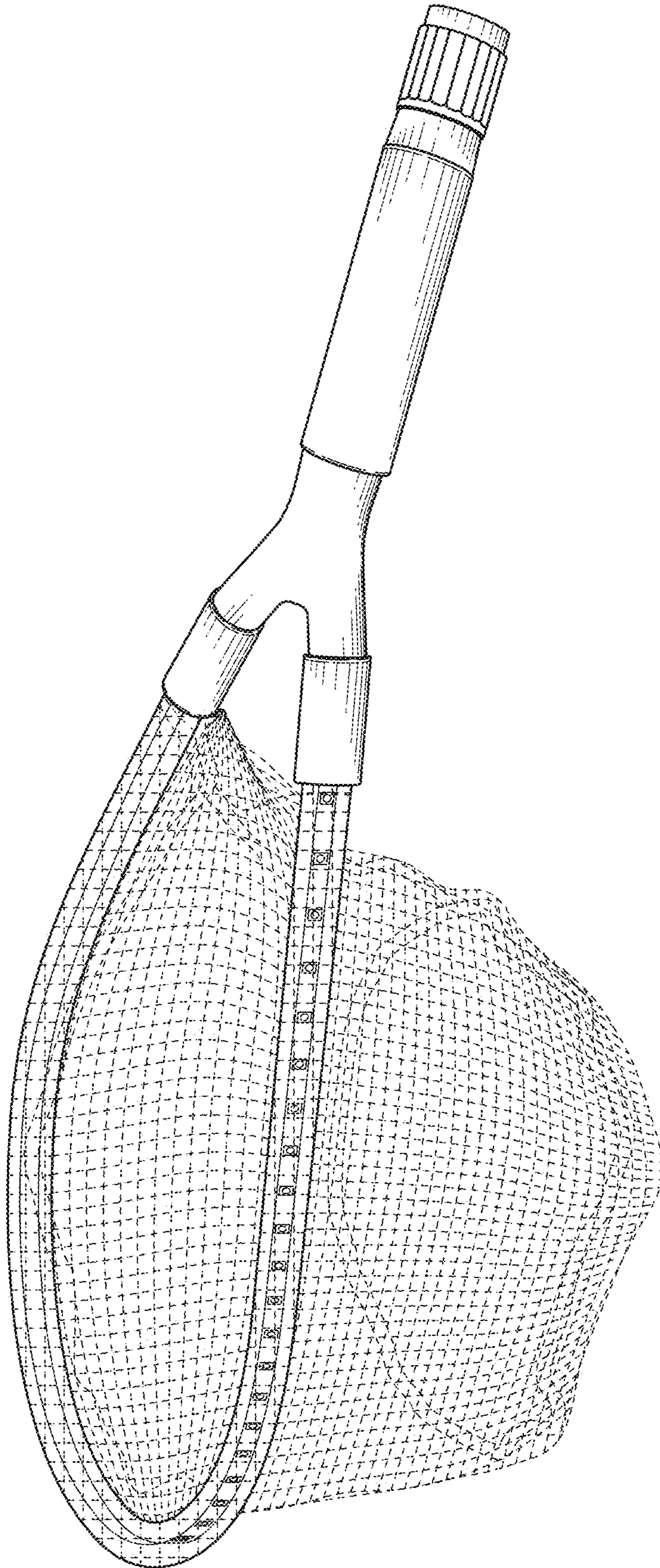


FIG. 1

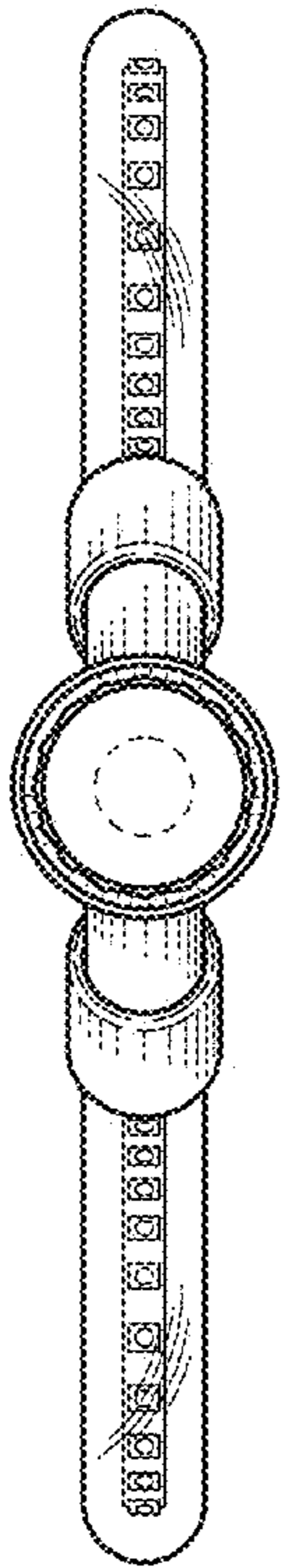


FIG. 2

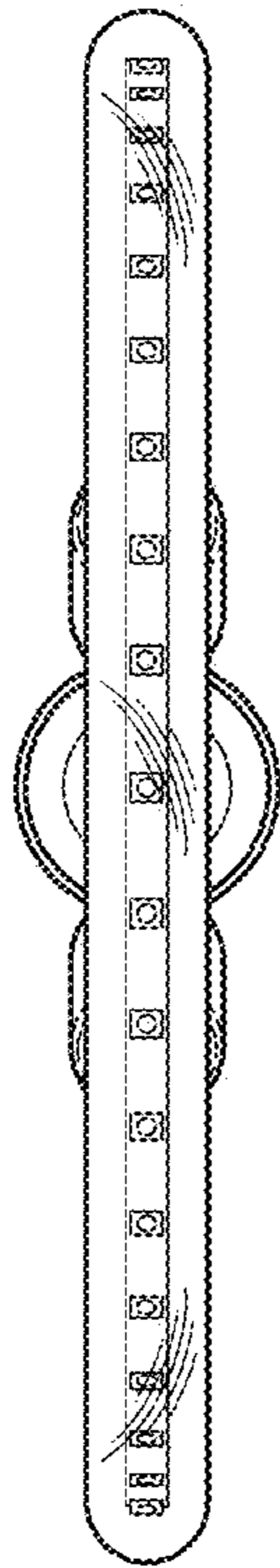


FIG. 3

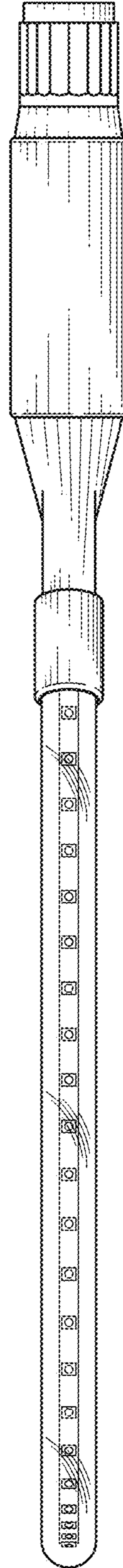


FIG. 4

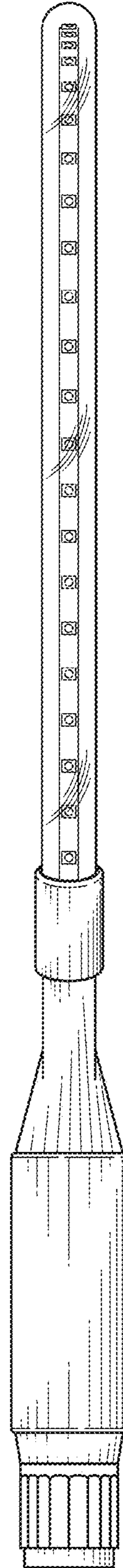


FIG. 5

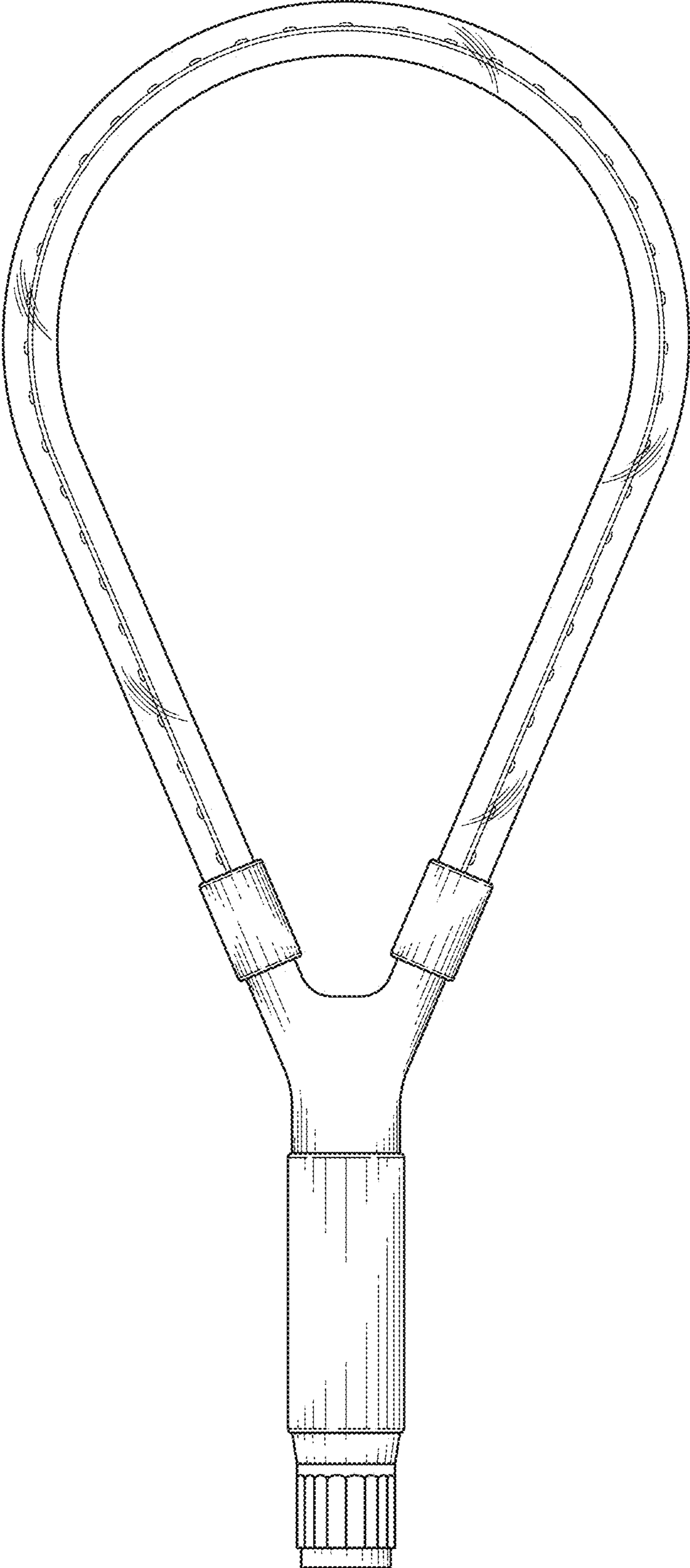


FIG. 6

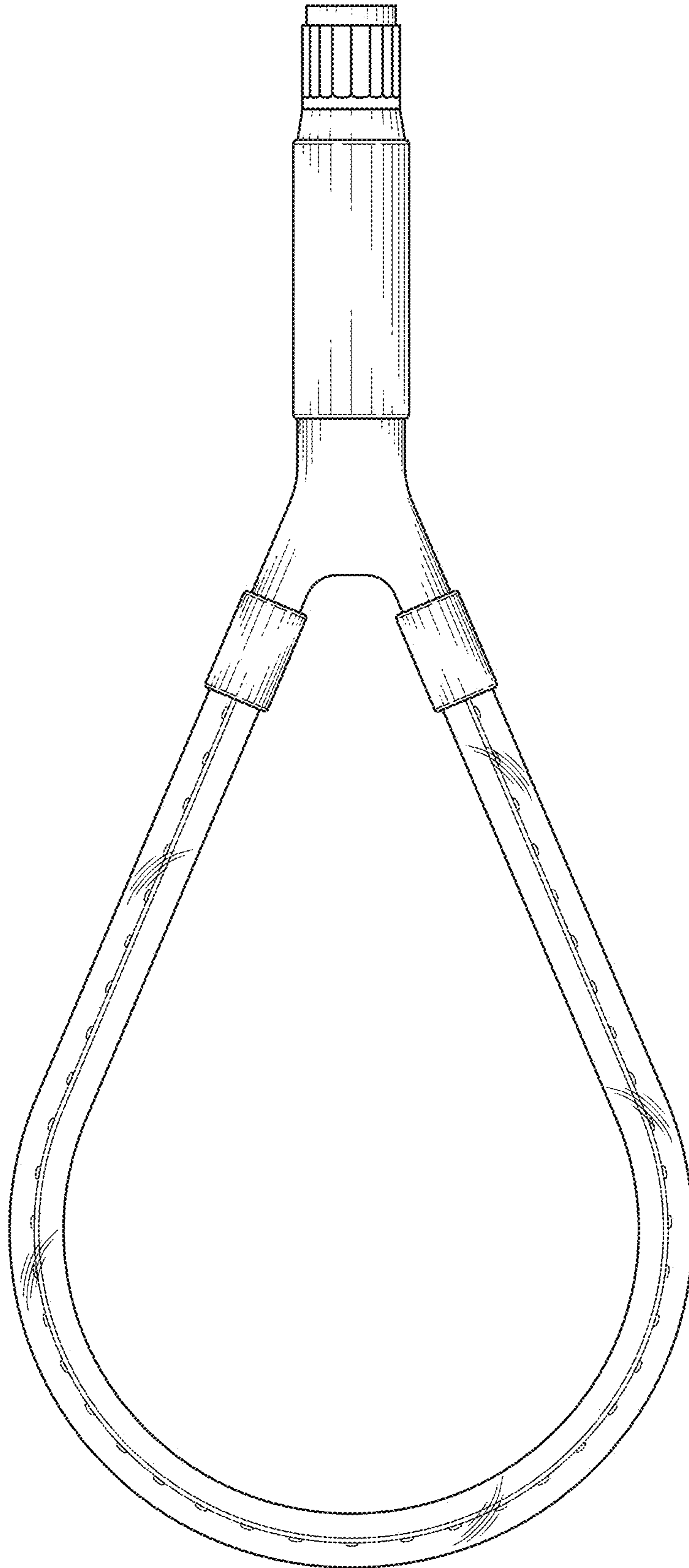


FIG. 7