

US00D894321S

(12) **United States Design Patent** (10) **Patent No.:** **US D894,321 S**
Sydes et al. (45) **Date of Patent:** **** Aug. 25, 2020**

(54) **KNIFE**
(71) Applicant: **3Coil Limited**, London (GB)
(72) Inventors: **Jonathan Sydes**, London (GB); **Norval Bell**, London (GB); **Glenn Klecker**, Silverton, OR (US)
(73) Assignee: **3Coil Limited** (GB)
(**) Term: **15 Years**
(21) Appl. No.: **29/672,152**
(22) Filed: **Dec. 3, 2018**
(51) **LOC (12) Cl.** **22-02**
(52) **U.S. Cl.**
USPC **D22/118**
(58) **Field of Classification Search**
USPC D22/118; D21/570, 575; D7/649–651;
D8/98–105; 30/151–162
CPC F41C 27/00; F41C 27/16
See application file for complete search history.

D855,121 S * 7/2019 Kim D21/575
2012/0111183 A1* 5/2012 Hochstrate F41C 27/00
89/193
2012/0144716 A1* 6/2012 Cabahug F41C 27/00
42/84

OTHER PUBLICATIONS

Puna (Multi-Tool that looks like a gun), coolmaterial.com/gear/puna-knife-multi-tool-gun-3coil/ (Year: 2020).*

* cited by examiner

Primary Examiner — Catherine R Oliver-Garcia
(74) *Attorney, Agent, or Firm* — Schwabe Williamson & Wyatt, P.C.

(57) **CLAIM**

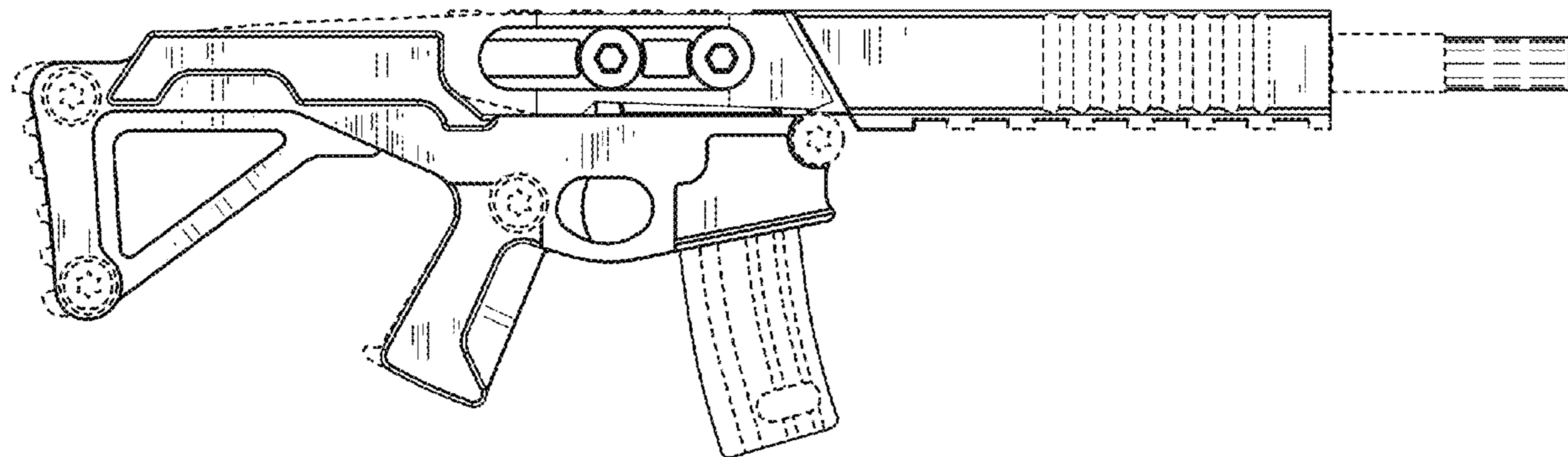
We claim the ornamental design for a knife, as shown and described.

DESCRIPTION

FIG. 1 is a right side view of a knife, showing our new design;
FIG. 2 is a bottom view thereof;
FIG. 3 is a left side view thereof;
FIG. 4 is a top view thereof;
FIG. 5 is a rear view thereof;
FIG. 6 is a front view thereof;
FIG. 7 is a right perspective view thereof;
FIG. 8 is a left perspective view thereof;
FIG. 9 is an exploded right perspective view thereof; and,
FIG. 10 is an exploded left perspective view thereof.
The dash-dot-dash broken line immediately adjacent to the shaded area represents an unclaimed boundary of the claimed design. The remainder of the broken lines are provided for environmental purposes only and form no part of the claimed design.

(56) **References Cited**
U.S. PATENT DOCUMENTS
D355,224 S * 2/1995 Arad D21/570
D363,871 S * 11/1995 Coggins D8/100
D371,060 S * 6/1996 Lai D12/179
D451,572 S * 12/2001 Barker, II D22/118
D452,547 S * 12/2001 Barker, II D22/118
D473,921 S * 4/2003 Rae D22/118
D589,582 S * 3/2009 Miltner D22/118
D703,276 S * 4/2014 Murayama D21/568
D738,965 S * 9/2015 Yang D21/570
D777,552 S * 1/2017 Miller D22/118

1 Claim, 7 Drawing Sheets



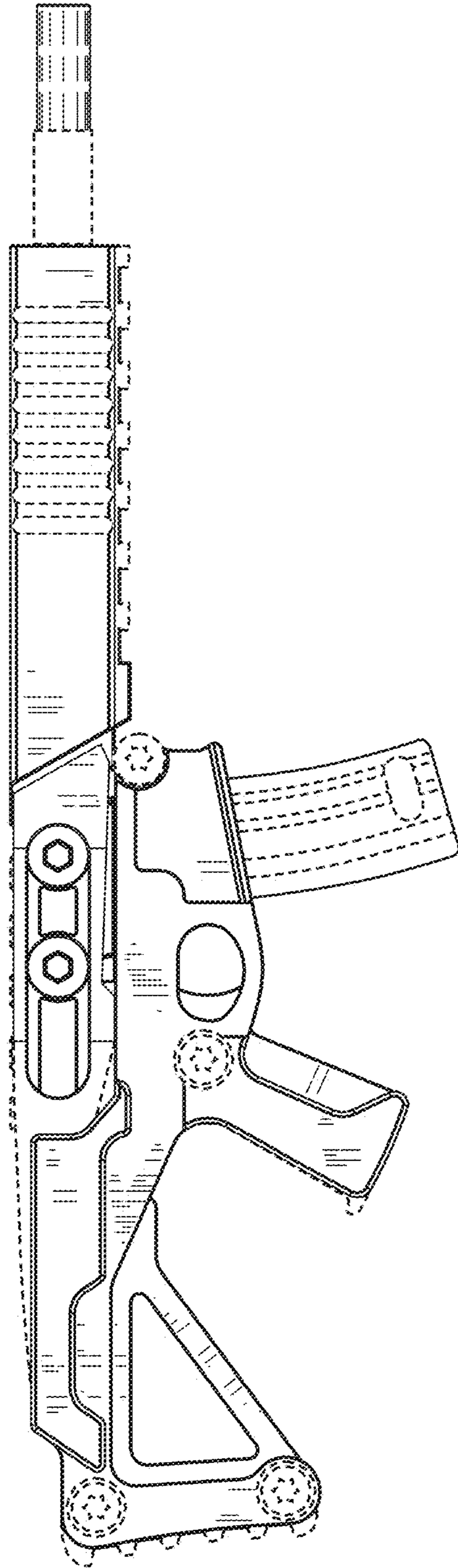


FIG. 1

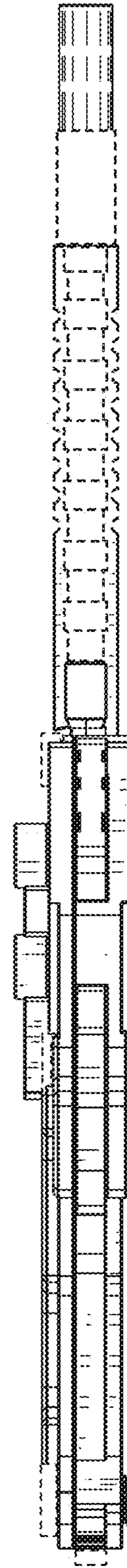


FIG. 2

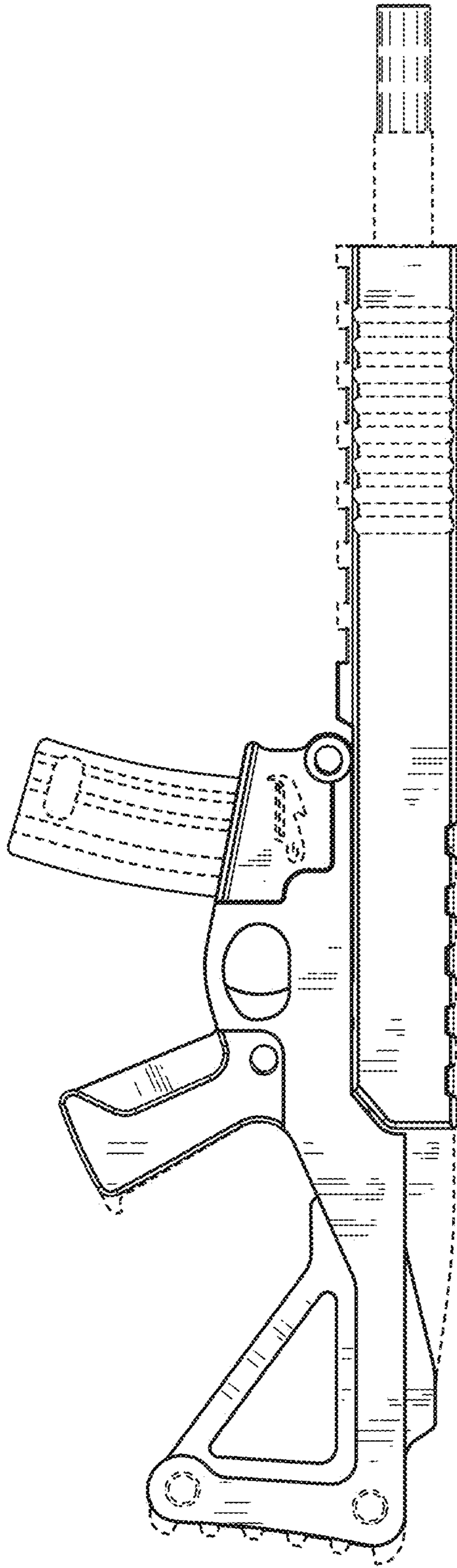


FIG. 3

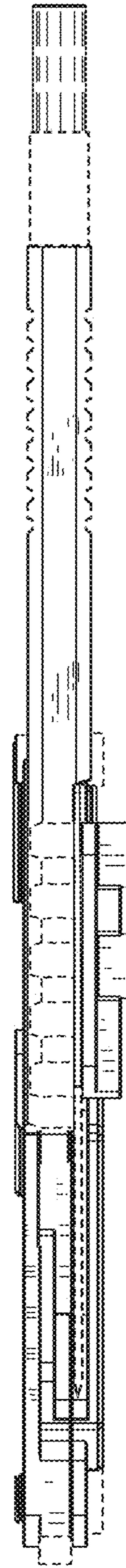


FIG. 4

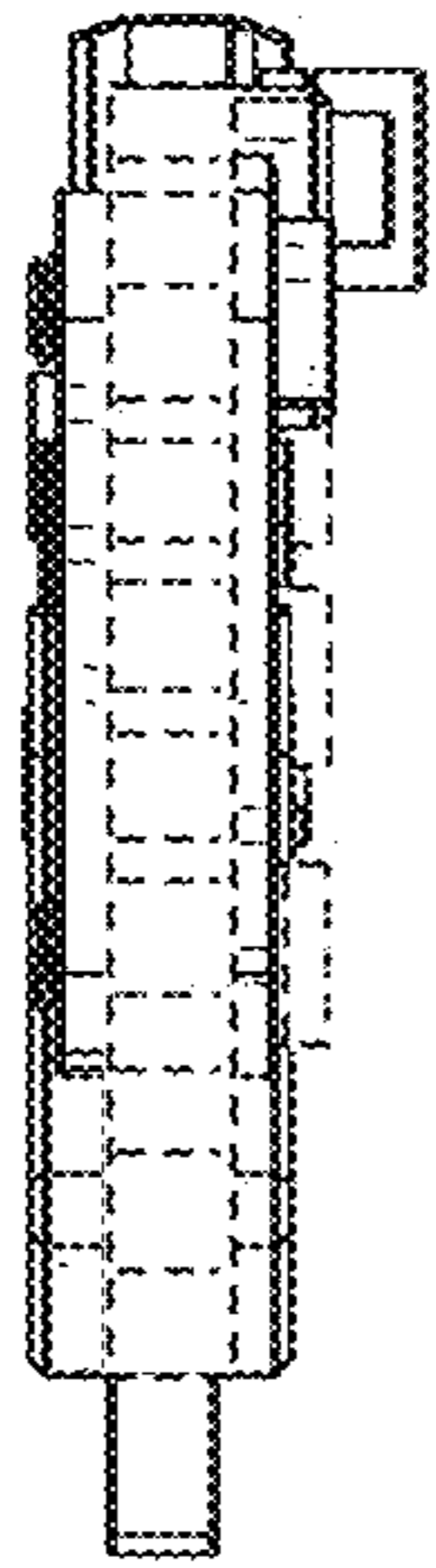


FIG. 5

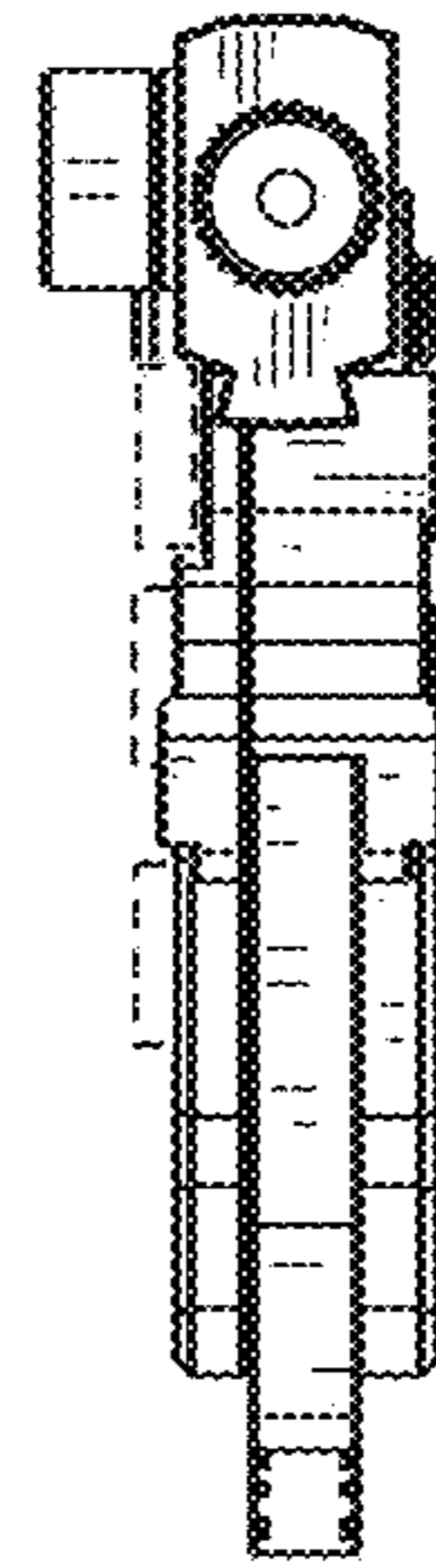


FIG. 6

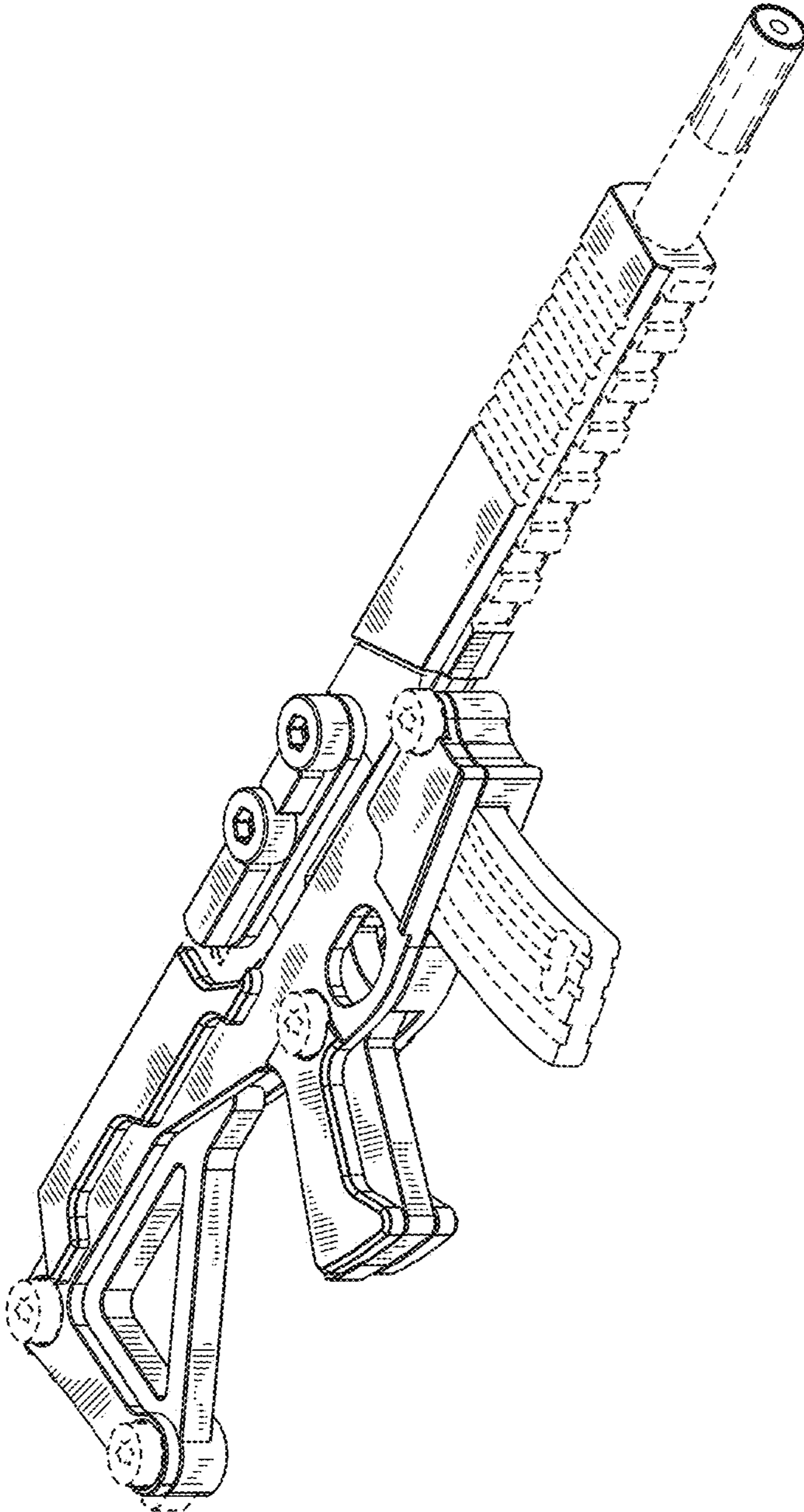


FIG. 7

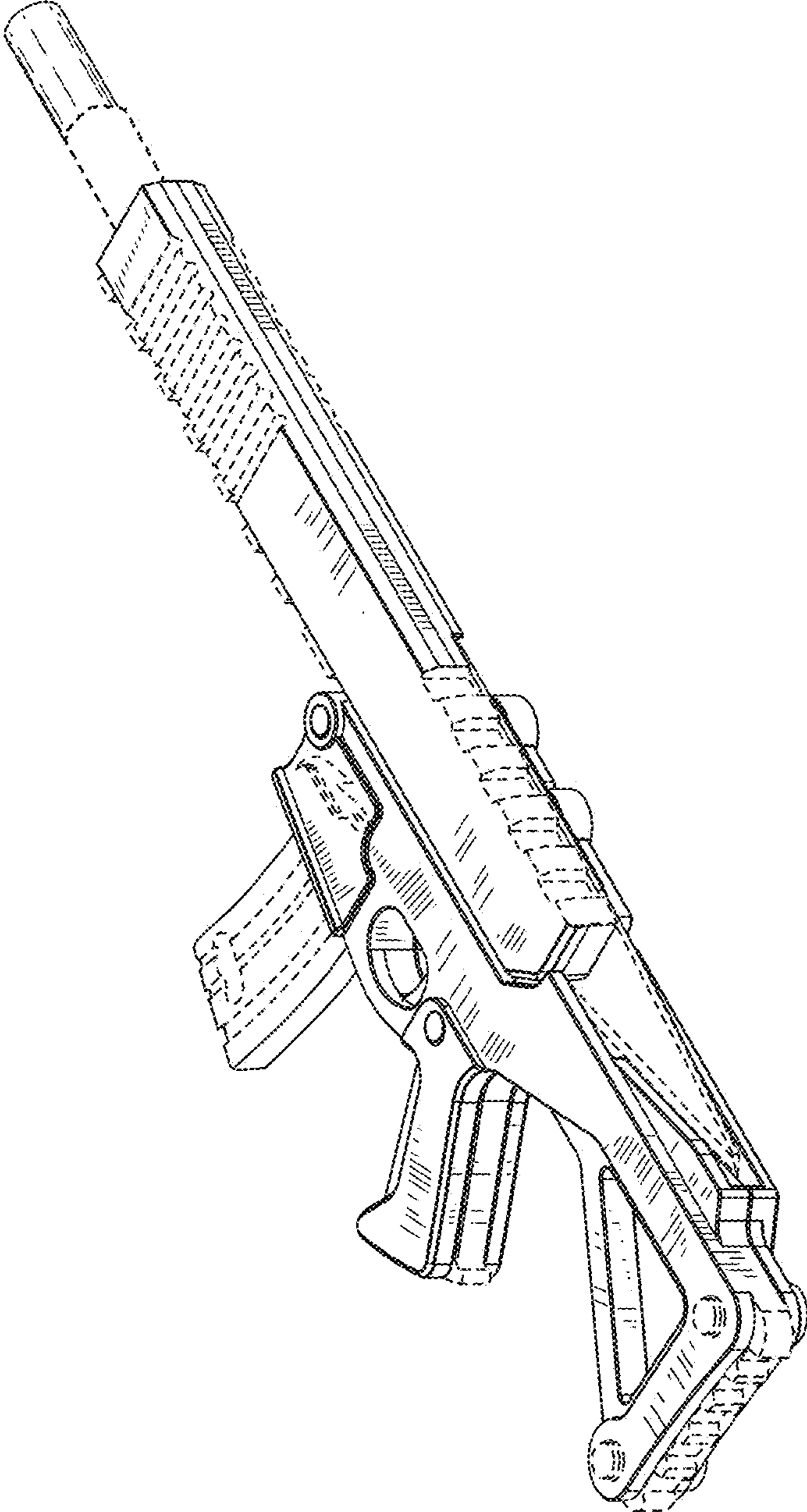


FIG. 8

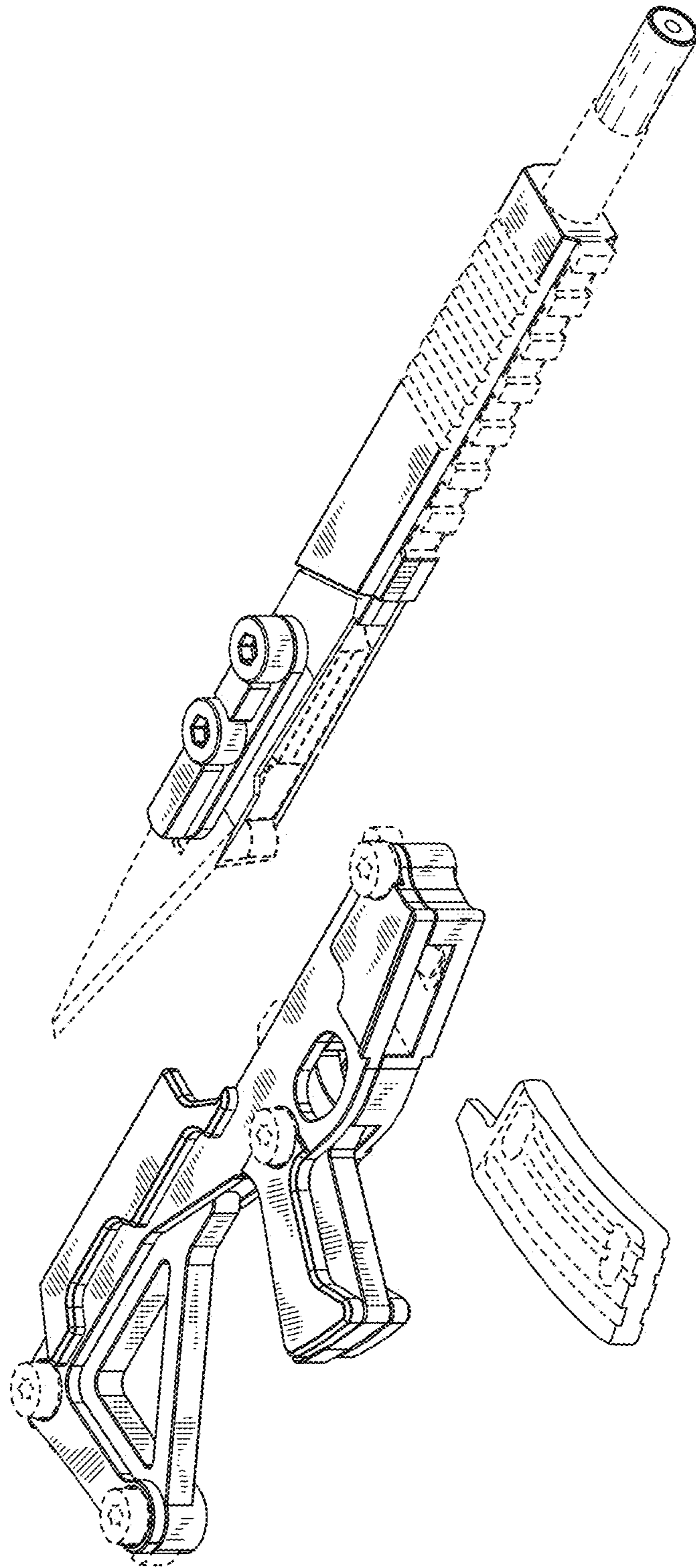


FIG. 9

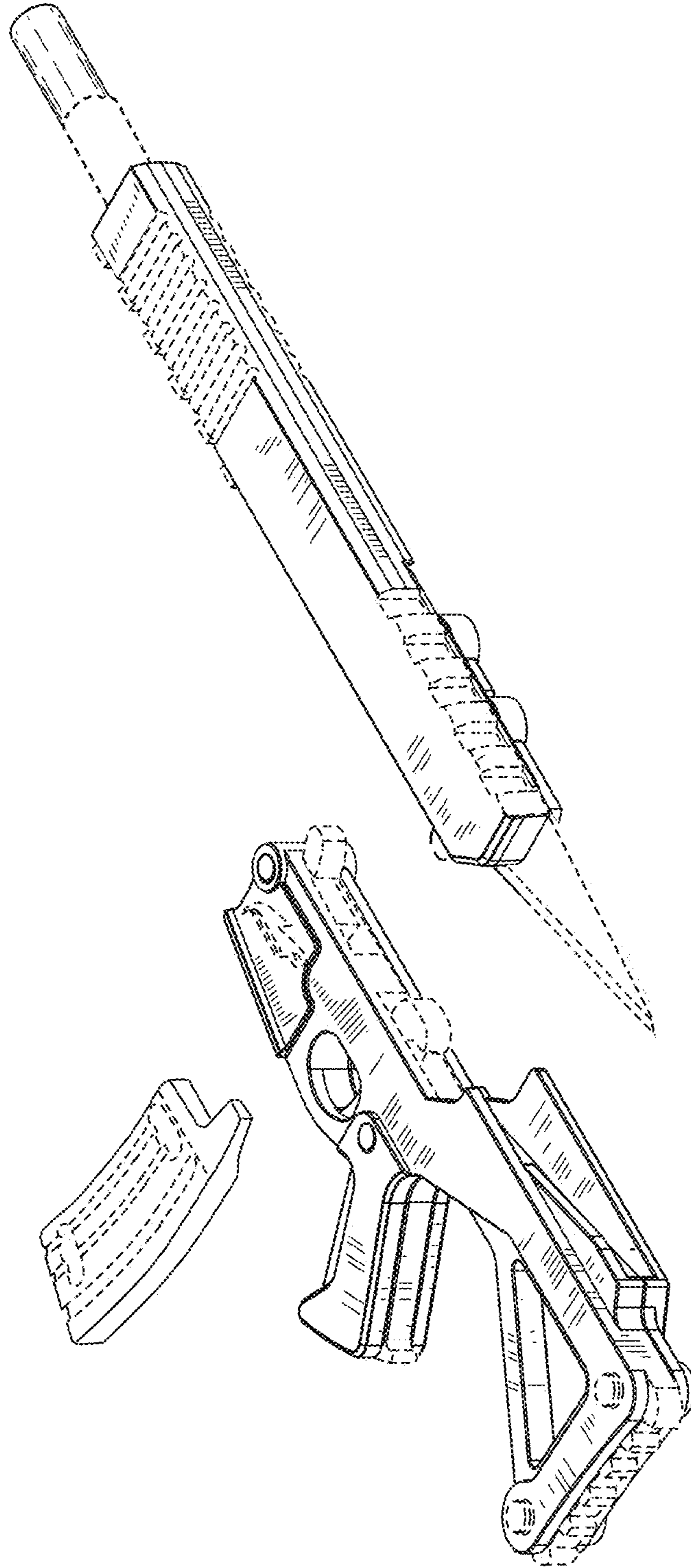


FIG. 10