



US00D894319S

(12) **United States Design Patent** (10) **Patent No.:** **US D894,319 S**
Pobutkiewicz (45) **Date of Patent:** **** Aug. 25, 2020**

- (54) **ADJUSTABLE BUTT STOCK**
- (71) Applicant: **David Pobutkiewicz**, Warwick, NY
(US)
- (72) Inventor: **David Pobutkiewicz**, Warwick, NY
(US)
- (**) Term: **15 Years**
- (21) Appl. No.: **29/698,906**
- (22) Filed: **Jul. 22, 2019**
- (51) **LOC (12) Cl.** **22-08**
- (52) **U.S. Cl.**
USPC **D22/108**
- (58) **Field of Classification Search**
USPC D22/108; D21/572-573
CPC F41C 23/14
See application file for complete search history.

(56) **References Cited**

U.S. PATENT DOCUMENTS

D567,895 S *	4/2008	Cauley	D22/103
D640,342 S *	6/2011	Fitzpatrick	D22/108
D733,247 S *	6/2015	Lewis	D22/108
D748,216 S *	1/2016	Zusman	D22/108
D774,619 S *	12/2016	Mather	D22/108
2014/0075815 A1 *	3/2014	Jarboe	F41C 23/14 42/73

2016/0202016 A1 *	7/2016	Mather	F41C 23/14 42/73
2017/0122698 A1 *	5/2017	Chu	F41C 23/20
2019/0301831 A1 *	10/2019	Inneci	F41C 23/04

* cited by examiner

Primary Examiner — Michael A. Pratt

(74) *Attorney, Agent, or Firm* — Scott H. Kalio, Esq.;
Kaliko & Associates, LLC

(57) **CLAIM**

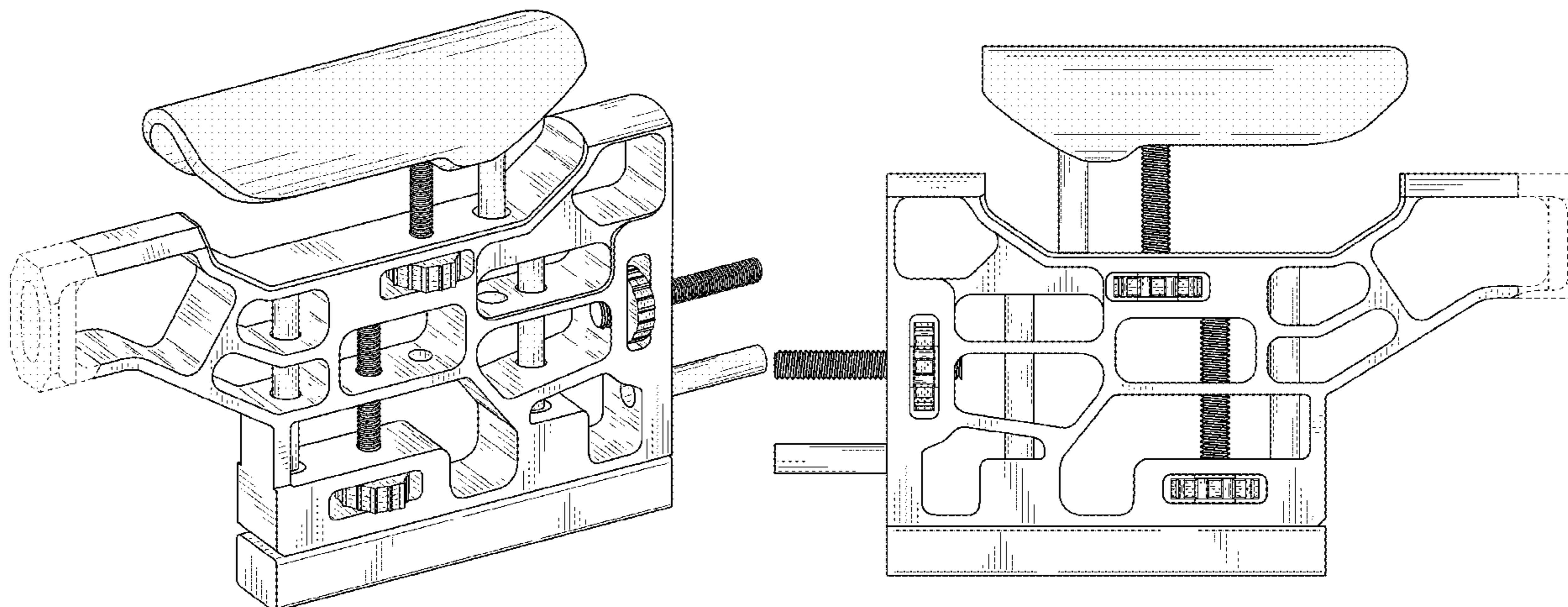
The ornamental design for an adjustable butt stock, as shown and described.

DESCRIPTION

FIG. 1 is a front perspective view of a design for the adjustable butt stock;
 FIG. 2 is a front view thereof;
 FIG. 3 is a back view thereof;
 FIG. 4 is a side view of thereof;
 FIG. 5 is a side view thereof;
 FIG. 6 is a top view thereof; and,
 FIG. 7 is a bottom view thereof.

The Broken lines present in the figures are included for the purpose of illustrating portions of the article that form no part of the claimed design.

1 Claim, 7 Drawing Sheets



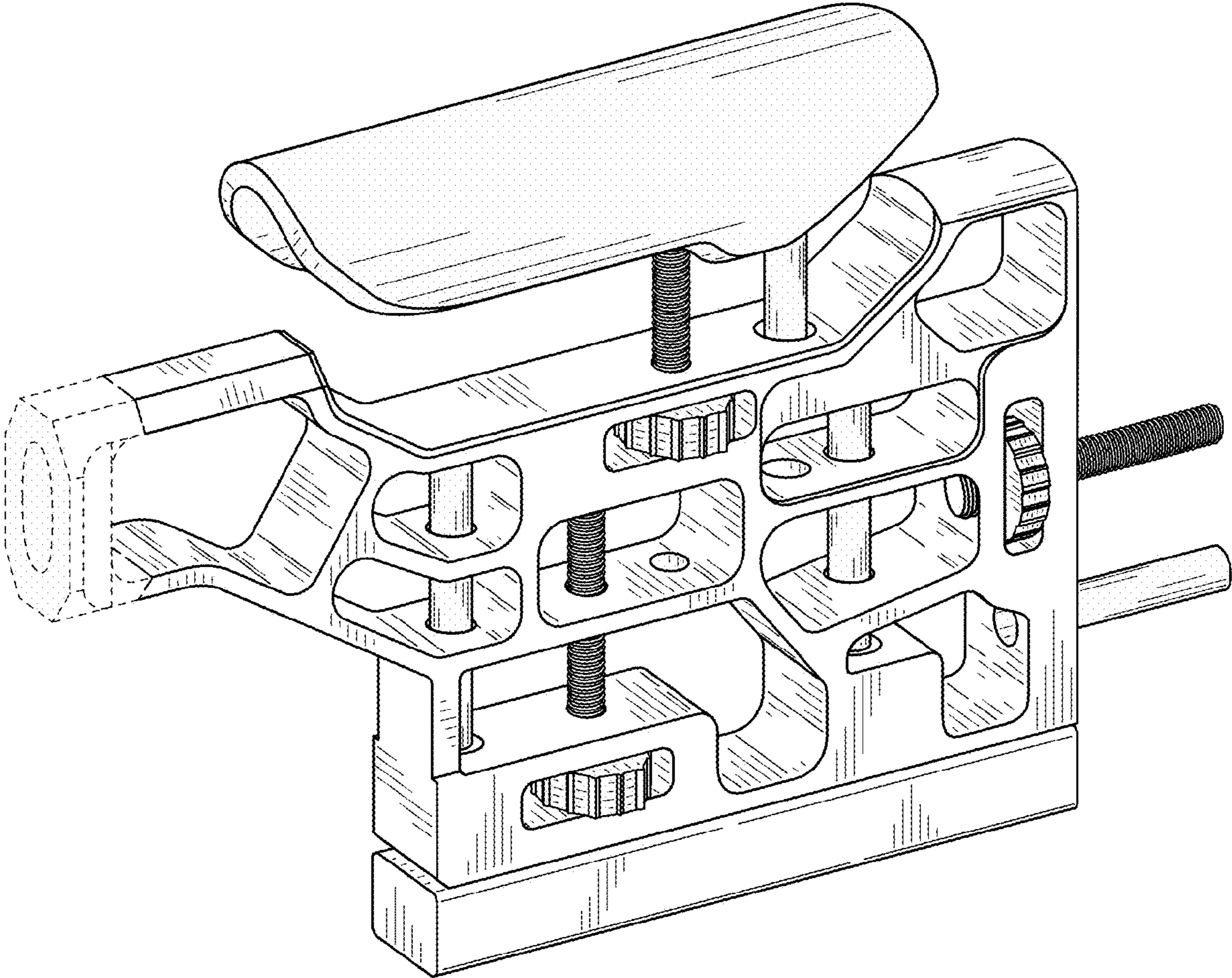


FIG. 1

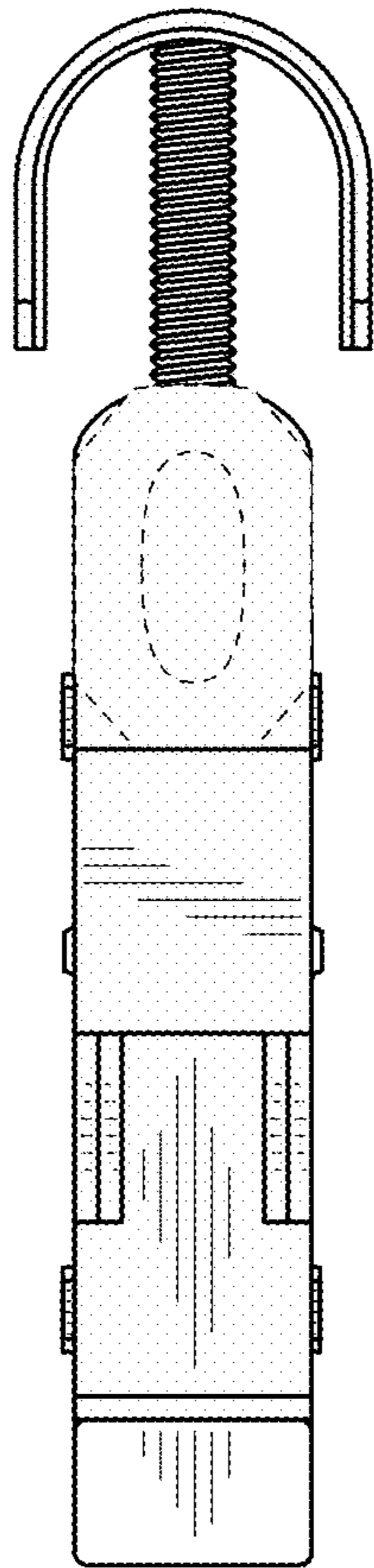


FIG. 2

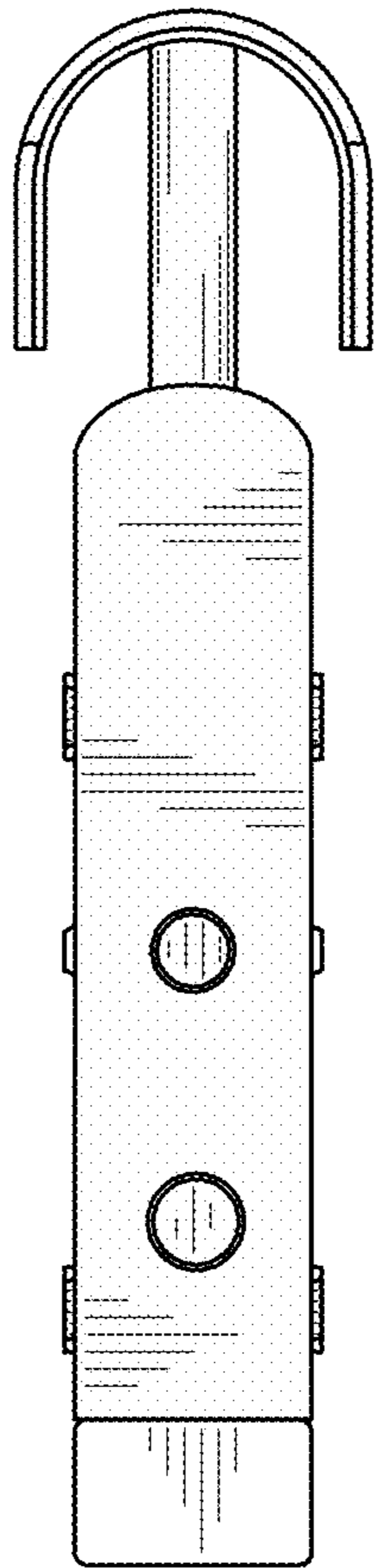


FIG. 3

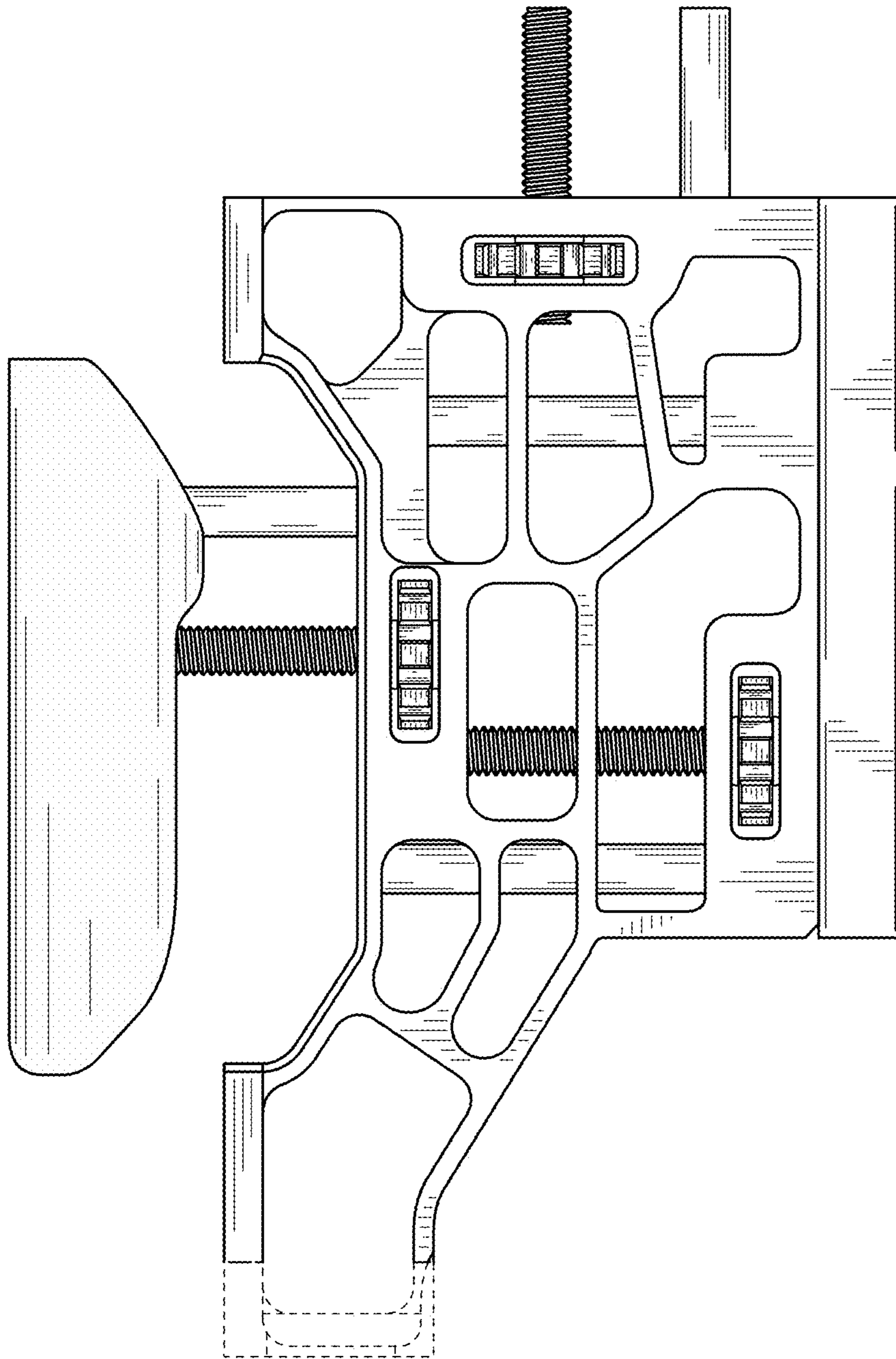


FIG. 4

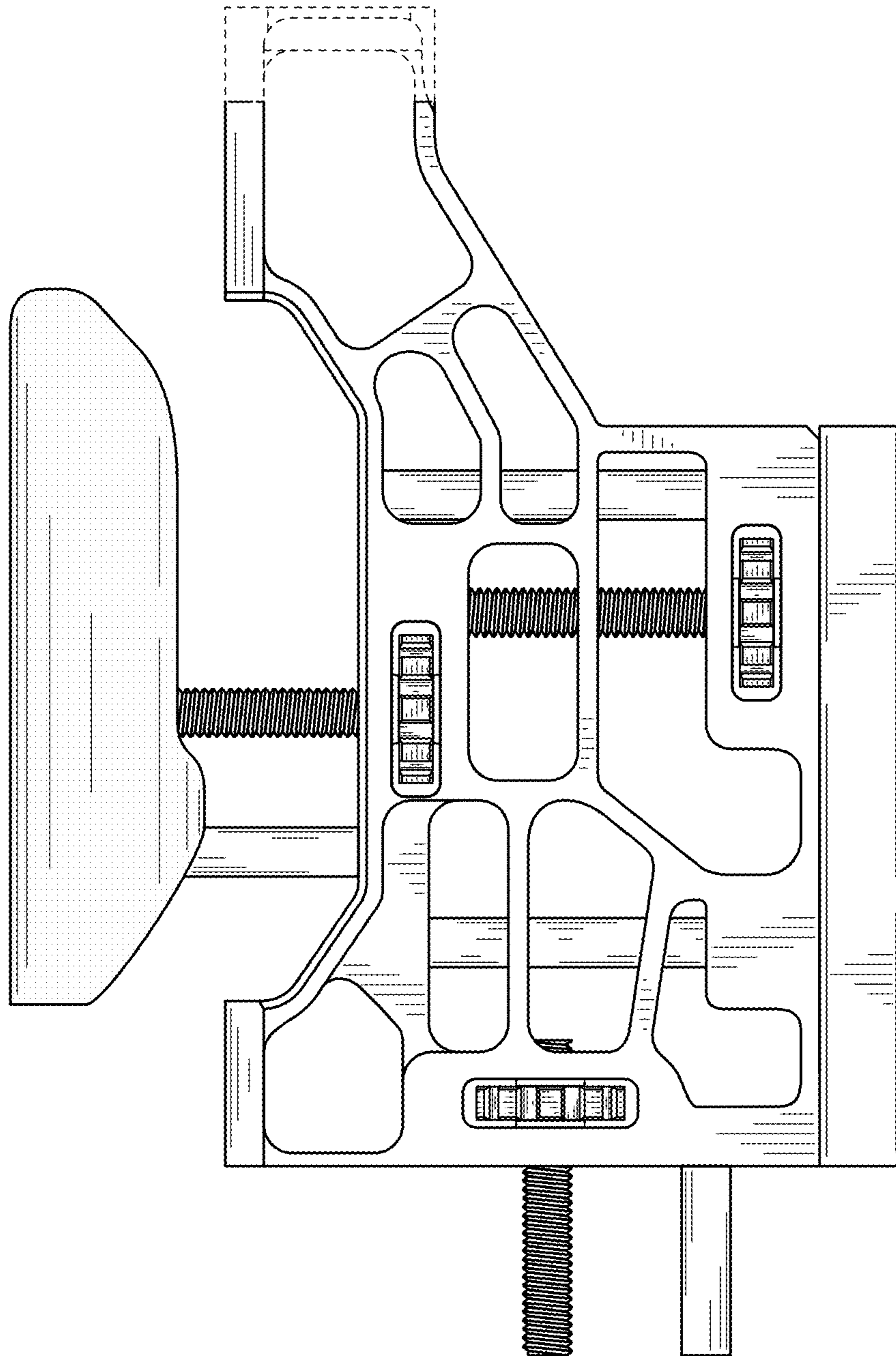


FIG. 5

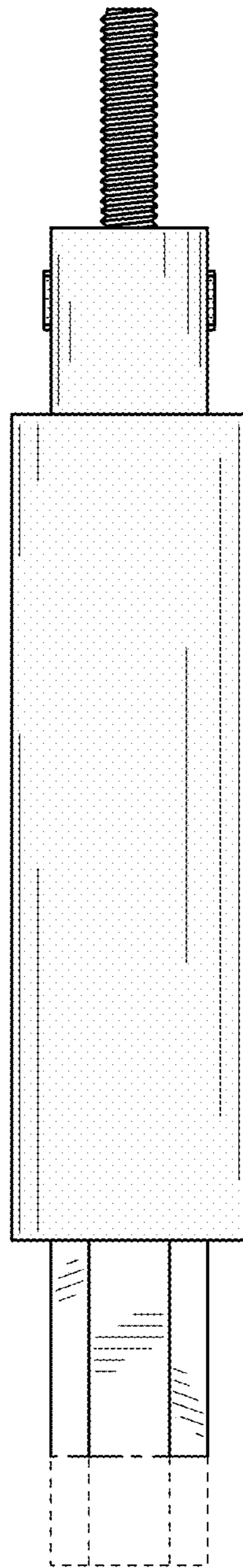


FIG. 6

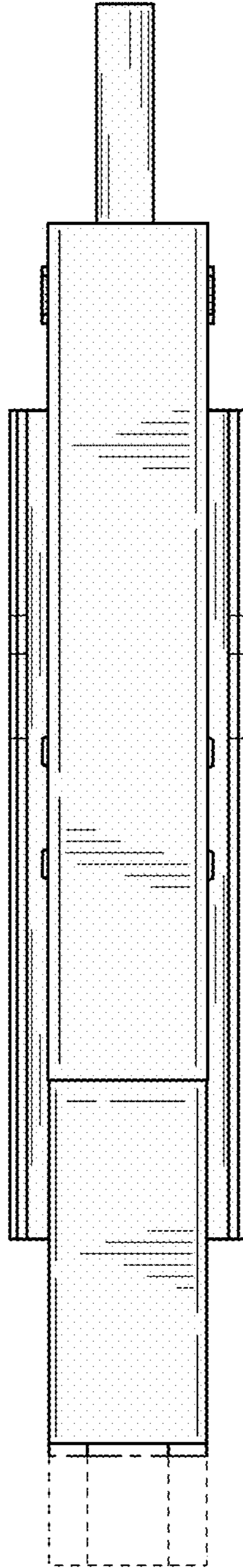


FIG. 7