

US00D894318S

(12) **United States Design Patent** (10) **Patent No.:** **US D894,318 S**  
**Pobutkiewicz** (45) **Date of Patent:** **\*\* Aug. 25, 2020**

(54) **ADJUSTABLE RIFLE BAG RIDER**

(71) Applicant: **David Pobutkiewicz**, Warwick, NY (US)

(72) Inventor: **David Pobutkiewicz**, Warwick, NY (US)

(\*\*) Term: **15 Years**

(21) Appl. No.: **29/692,788**

(22) Filed: **May 29, 2019**

(51) **LOC (12) Cl.** ..... **22-08**

(52) **U.S. Cl.**  
USPC ..... **D22/108**

(58) **Field of Classification Search**  
USPC ..... D22/108; D21/572-573  
CPC ..... F41C 23/14  
See application file for complete search history.

(56) **References Cited**

U.S. PATENT DOCUMENTS

D567,895 S *	4/2008	Cauley	.....	D22/103
D640,342 S *	6/2011	Fitzpatrick	.....	D22/108
D733,247 S *	6/2015	Lewis	.....	D22/108
D748,216 S *	1/2016	Zusman	.....	D22/108

D774,619 S *	12/2016	Mather	.....	D22/108
2014/0075815 A1 *	3/2014	Jarboe	.....	F41C 23/14
				42/73
2016/0202016 A1 *	7/2016	Mather	.....	F41C 23/14
				42/73
2017/0122698 A1 *	5/2017	Chu	.....	F41C 23/20
2019/0301831 A1 *	10/2019	Inneci	.....	F41C 23/04

\* cited by examiner

*Primary Examiner* — Michael A. Pratt

(74) *Attorney, Agent, or Firm* — Scott H. Kaliko, Esq.;  
Kaliko & Associates, LLC

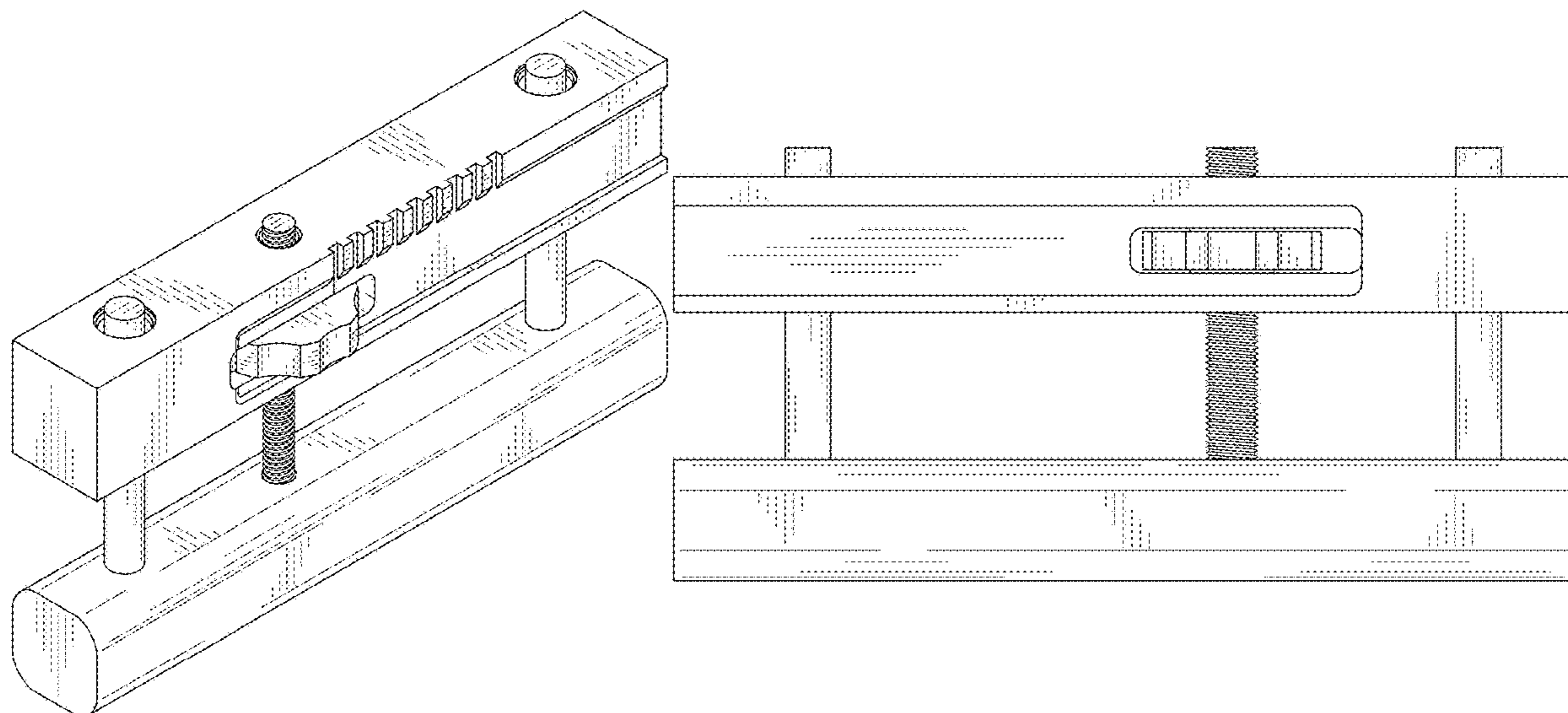
(57) **CLAIM**

The ornamental design for a adjustable rifle bag rider, as shown and described.

**DESCRIPTION**

FIG. 1 is a FRONT PERSPECTIVE view of a design for the adjustable rifle bag rider;  
FIG. 2 is a FRONT view thereof;  
FIG. 3 is a BACK view thereof;  
FIG. 4 is a SIDE view of thereof;  
FIG. 5 is a SIDE view thereof;  
FIG. 6 is a TOP view thereof; and,  
FIG. 7 is a BOTTOM view thereof.

**1 Claim, 5 Drawing Sheets**



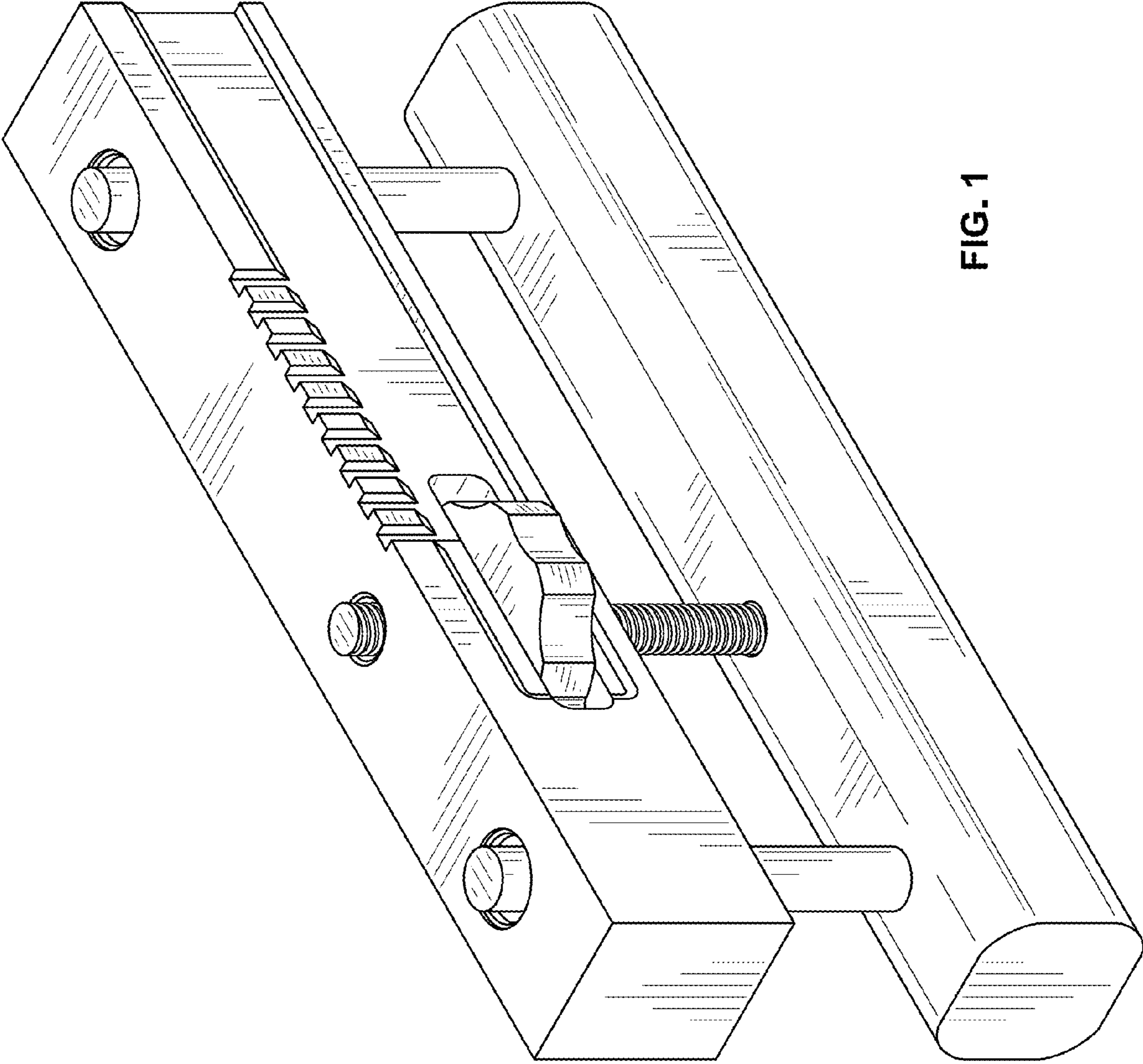


FIG. 1

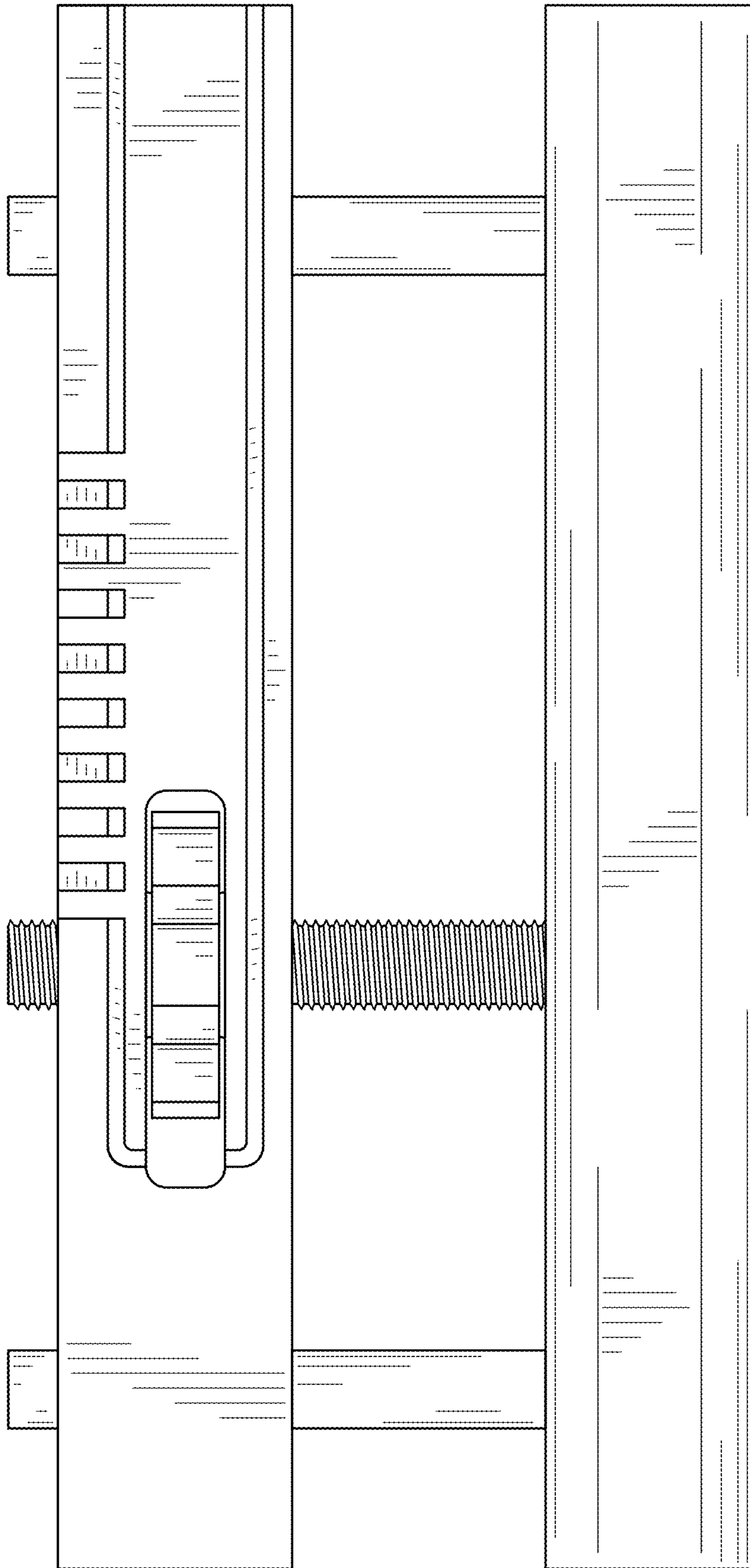


FIG. 2

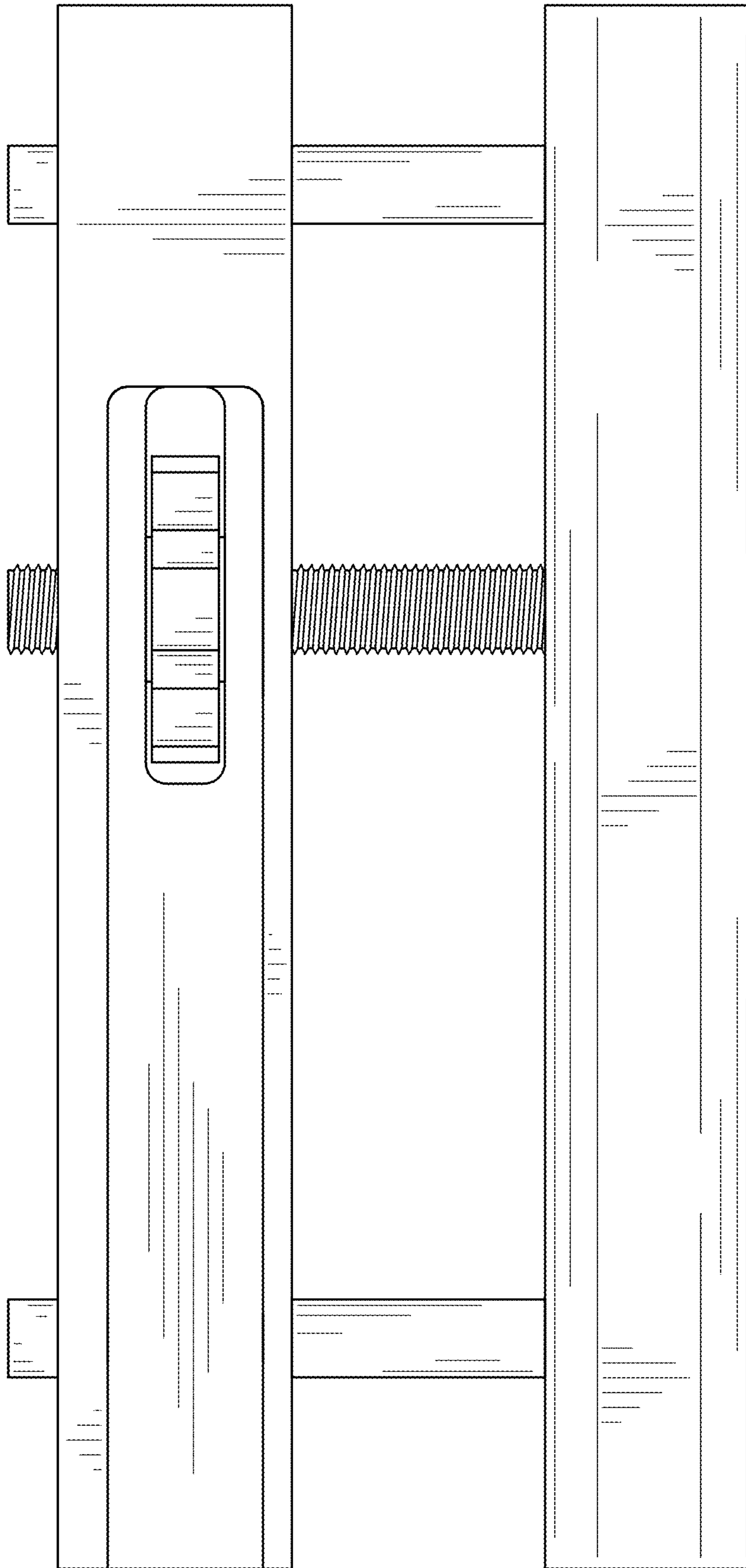


FIG. 3

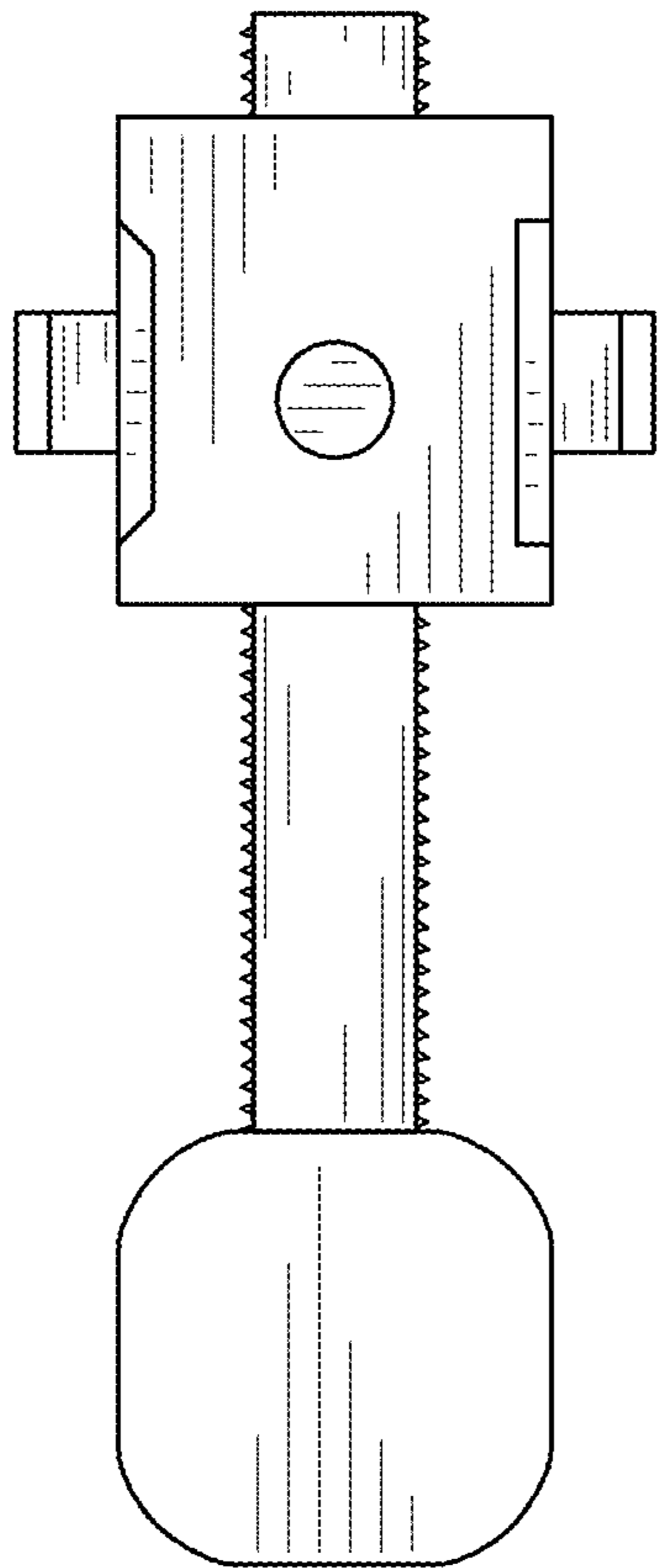


FIG. 4

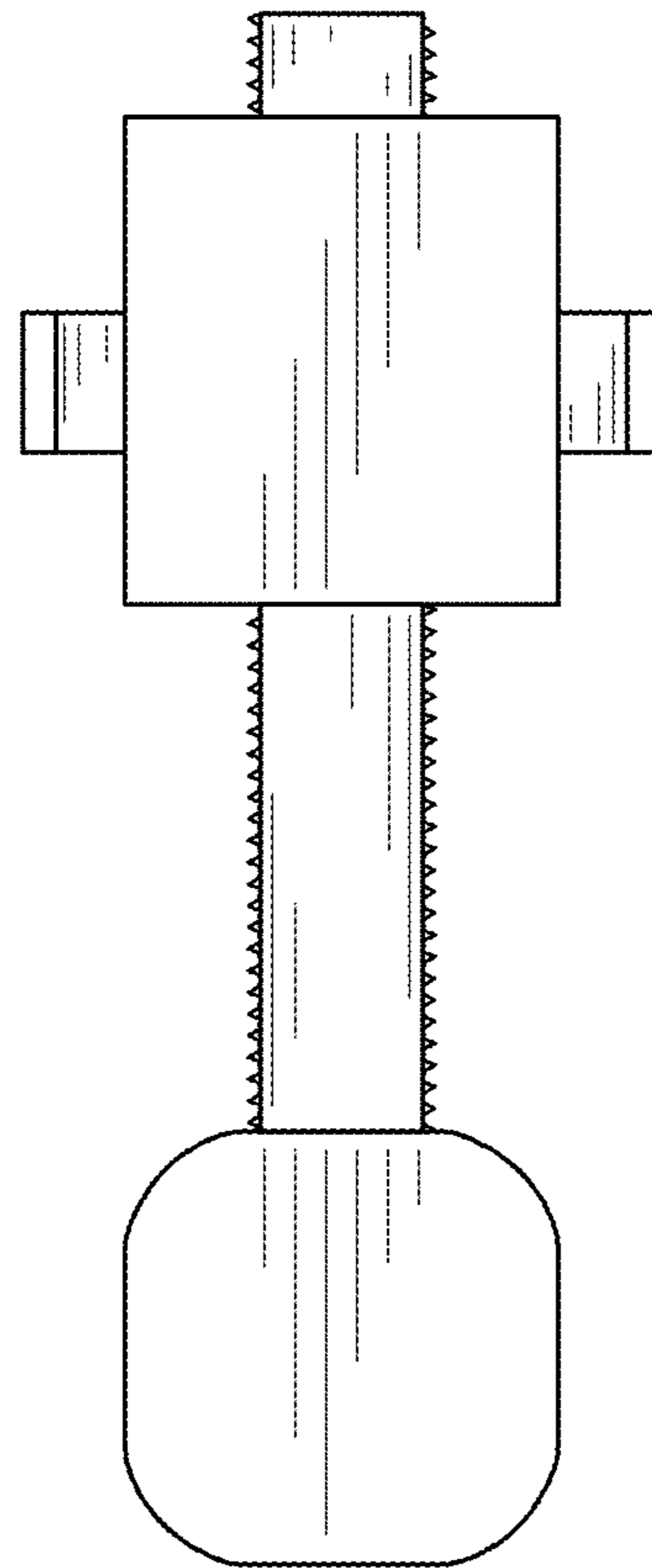


FIG. 5

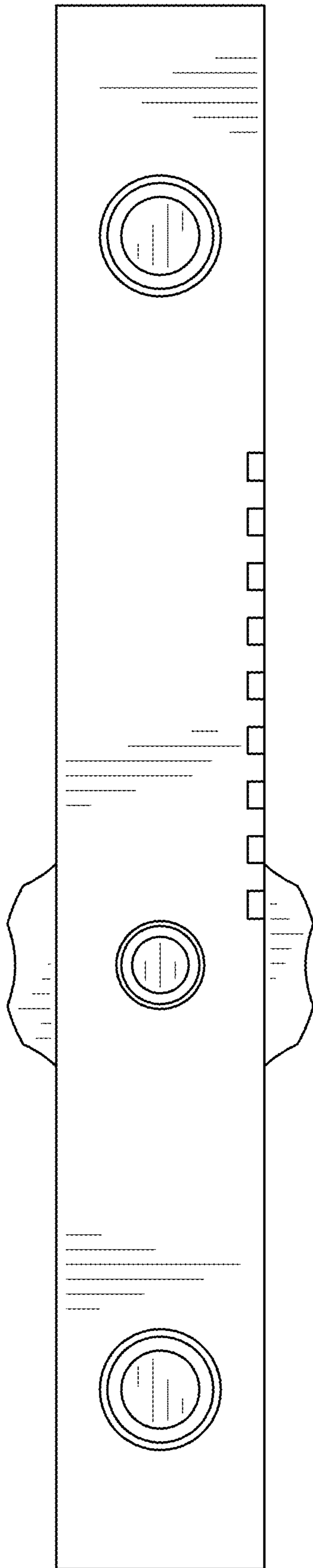


FIG. 6

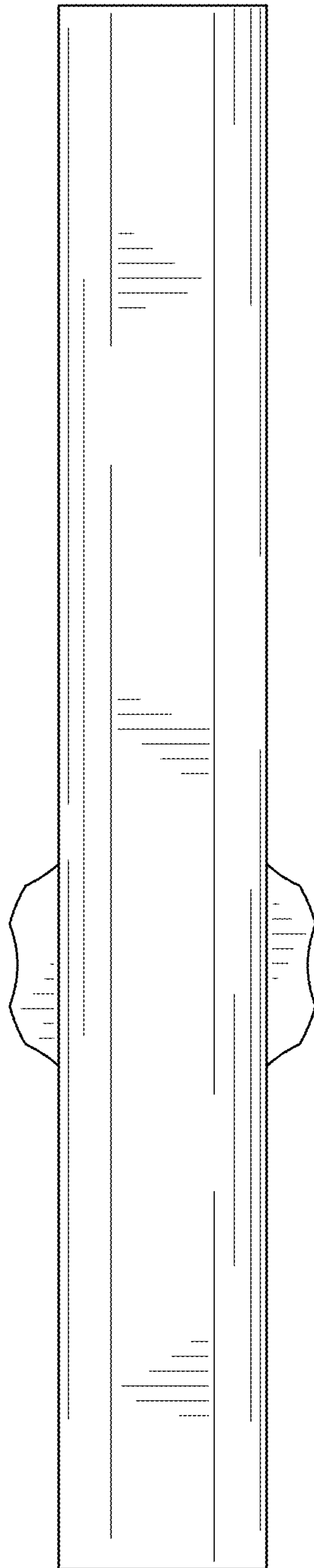


FIG. 7