



US00D894316S

(12) **United States Design Patent**
Bergman

(10) **Patent No.:** **US D894,316 S**

(45) **Date of Patent:** **** Aug. 25, 2020**

(54) **RIFLE BACK PLATE**

(71) Applicant: **TECH-10 TACTICAL LLC**, Quantico, VA (US)

(72) Inventor: **Paul Bergman**, Quantico, VA (US)

(73) Assignee: **TECH-10 TACTICAL, LLC**, Stafford, VA (US)

(**) Term: **15 Years**

(21) Appl. No.: **29/673,051**

(22) Filed: **Dec. 11, 2018**

(51) **LOC (12) Cl.** **22-01**

(52) **U.S. Cl.**
USPC **D22/108**

(58) **Field of Classification Search**
USPC D22/100, 103, 104, 105, 108, 109, 110,
D22/111, 199; D21/567, 573, 574, 575
CPC F41C 23/04; F41C 23/08; F41C 23/16;
F41G 1/02; F41G 1/027; F41G 1/06;
F41A 17/46; F41A 19/11
See application file for complete search history.

(56) **References Cited**

U.S. PATENT DOCUMENTS

D495,870 S *	9/2004	Verdugo	D22/108
D525,336 S *	7/2006	Esch	D22/108
D568,957 S *	5/2008	Esch	D22/108
D664,233 S *	7/2012	Heidkamp	D22/108
D726,277 S *	4/2015	Mayberry	D22/108
9,052,157 B1 *	6/2015	Montes	F41C 23/02
D753,256 S *	4/2016	Azhocar	D22/108
D753,257 S *	4/2016	Azhocar	D22/108
D753,784 S *	4/2016	Montes	D22/108

D813,972 S *	3/2018	Montes	D22/108
D821,189 S *	6/2018	Ray	D8/396
2011/0017788 A1 *	1/2011	Haley	F41C 23/02 224/150

OTHER PUBLICATIONS

“AR15 rear takedown pin setscrew install” [online]. FunWithPaul. [Published on Dec. 31, 2014]. Retrieved from the Internet: <<https://www.youtube.com/watch?v=dQezyWxbq4>>.*

* cited by examiner

Primary Examiner — Khawaja Anwar

Assistant Examiner — Mojtaba Tehrani

(74) *Attorney, Agent, or Firm* — Burr & Forman, LLP

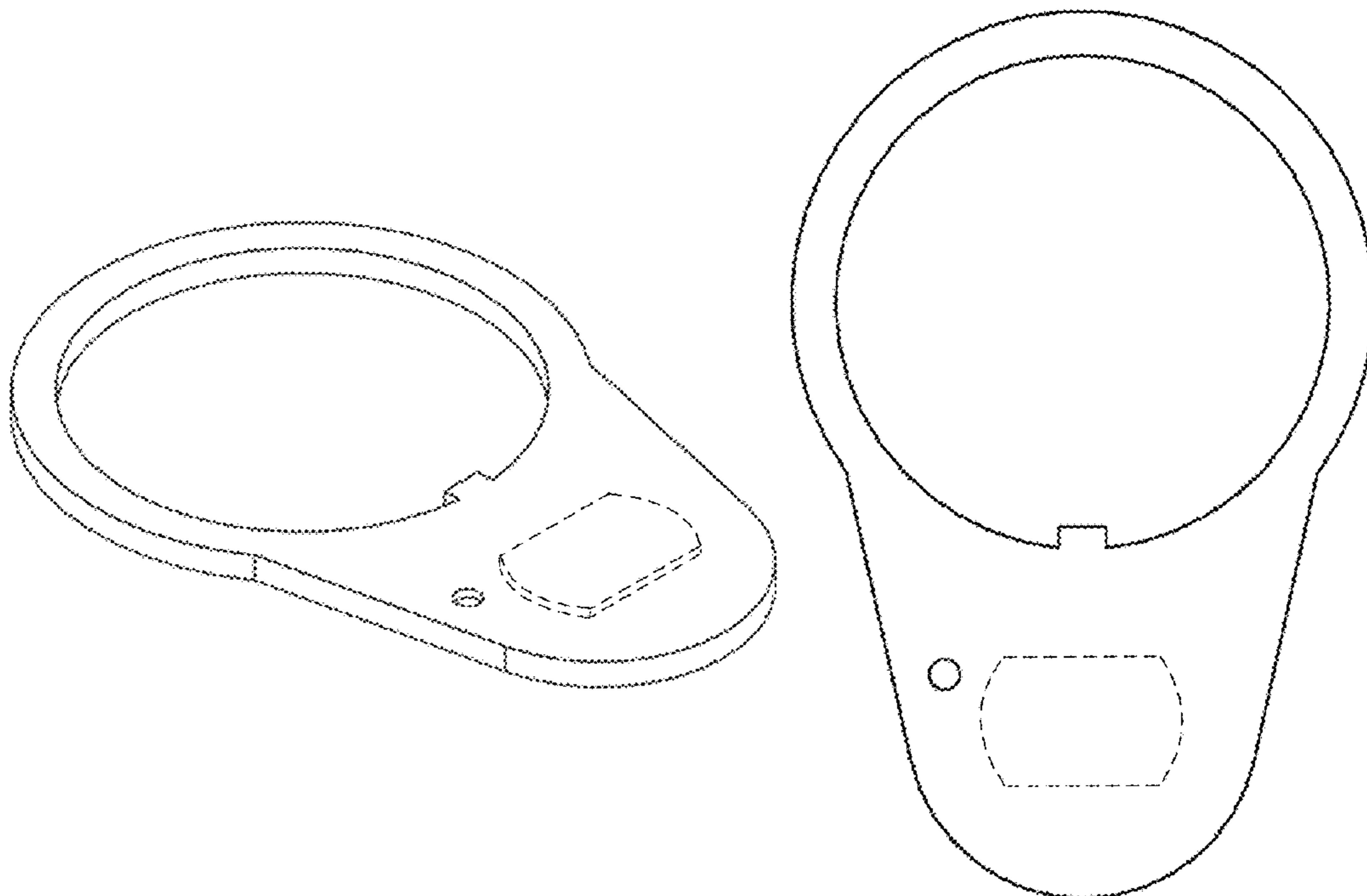
(57) **CLAIM**

The ornamental design for a rifle back plate, as shown and described.

DESCRIPTION

FIG. 1 is a perspective view of the front of a rifle back plate, showing my new design;
FIG. 2 is a front view thereof;
FIG. 3 is a rear view thereof;
FIG. 4 is a top view thereof;
FIG. 5 is a bottom view thereof;
FIG. 6 is a right side view thereof;
FIG. 7 is a left side view thereof;
FIG. 8 is an alternative top perspective view thereof; and,
FIG. 9 is another alternative top perspective view thereof.
The broken lines of the back plate in FIGS. 1-9 form no part of the claimed design.

1 Claim, 6 Drawing Sheets



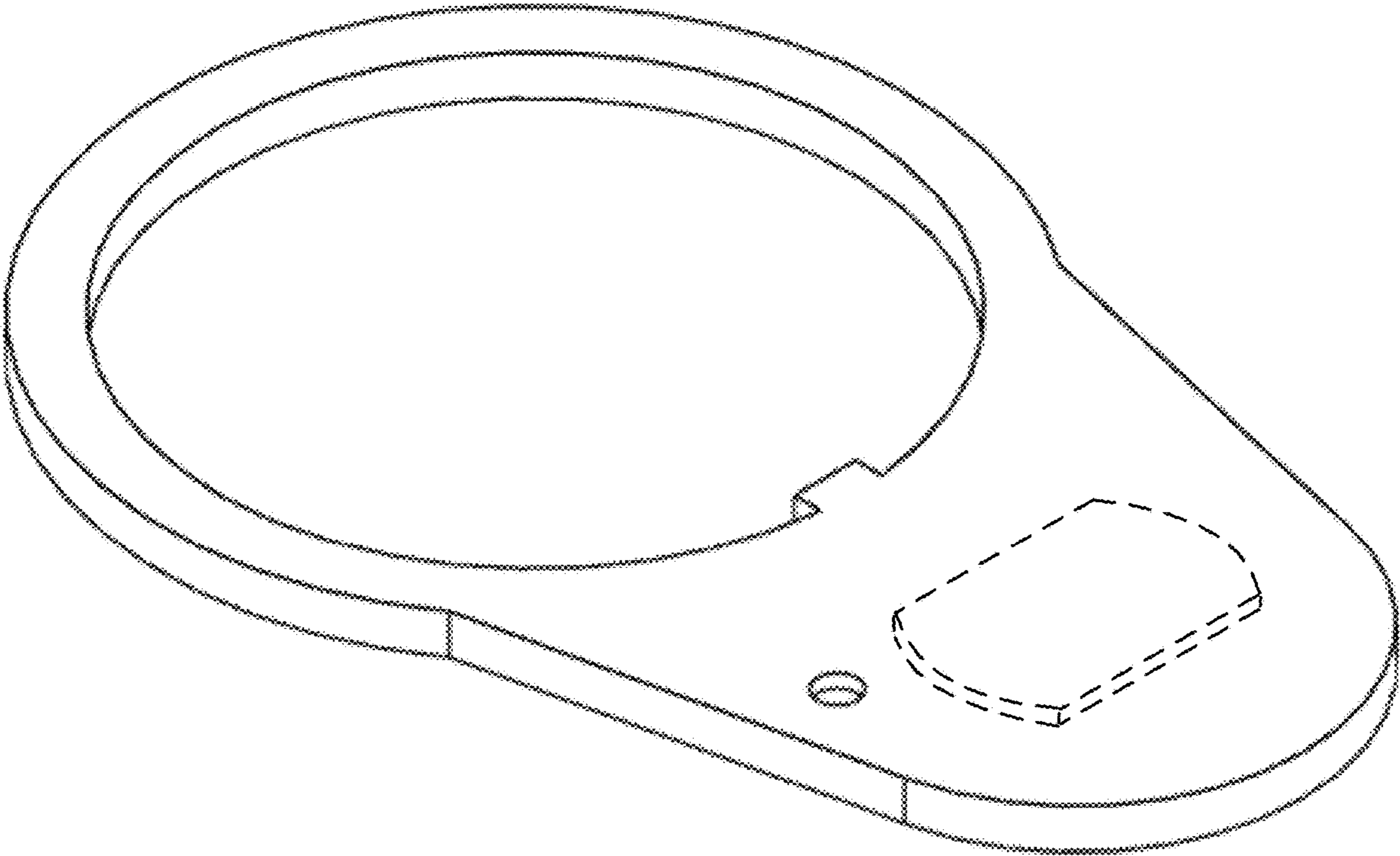


FIG. 1.

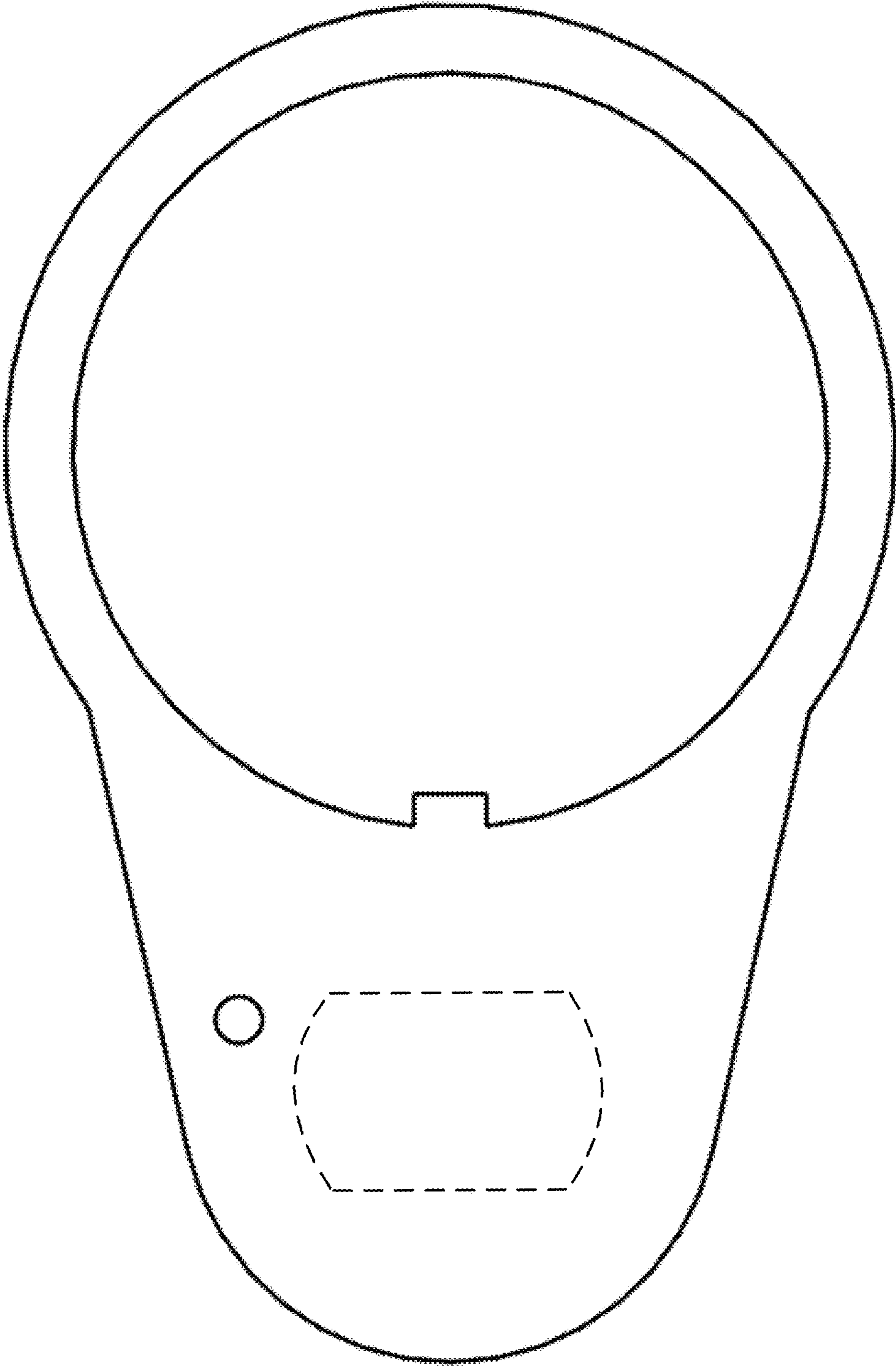


FIG. 2.

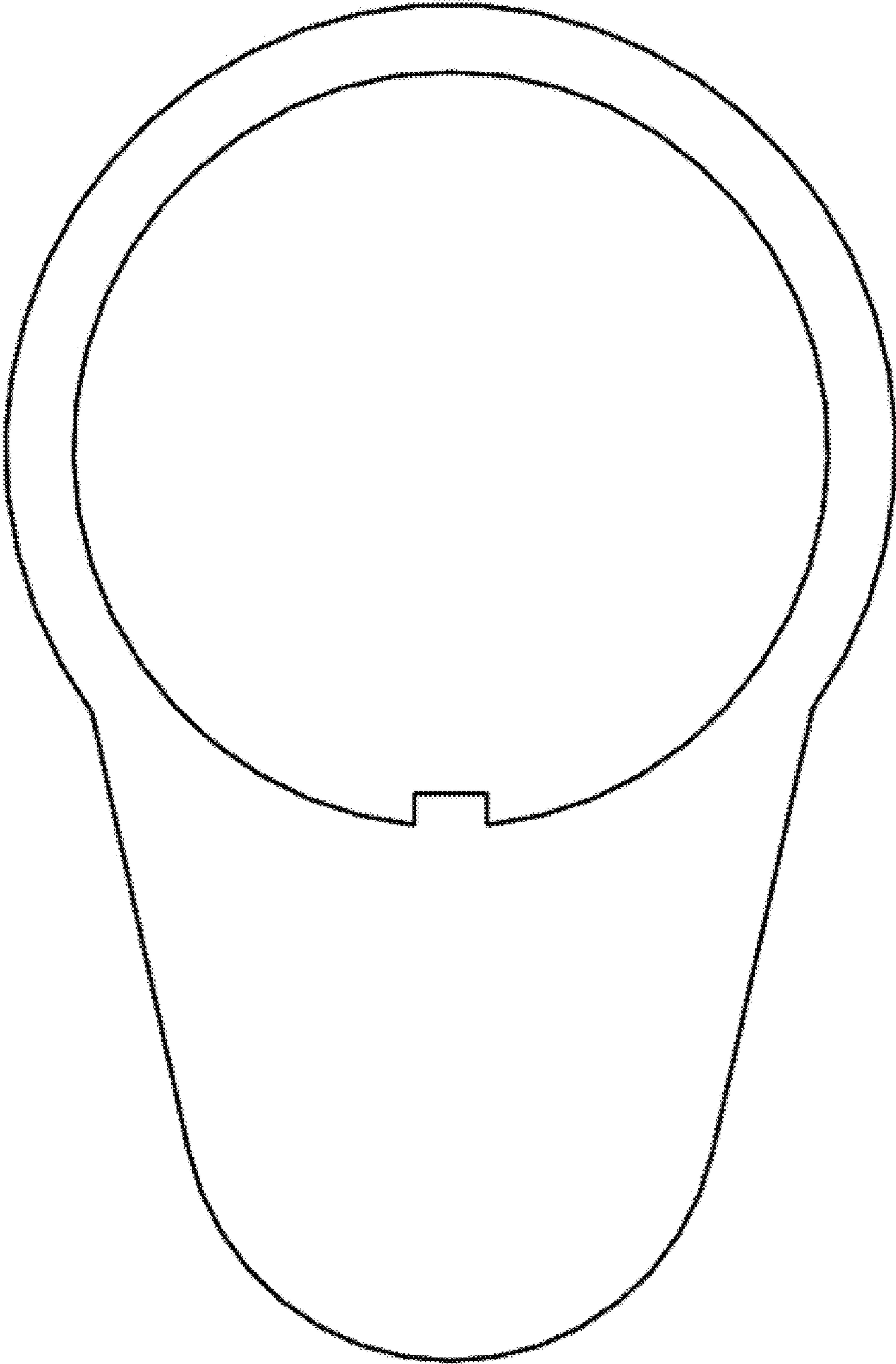


FIG. 3.



FIG. 4.



FIG. 5.

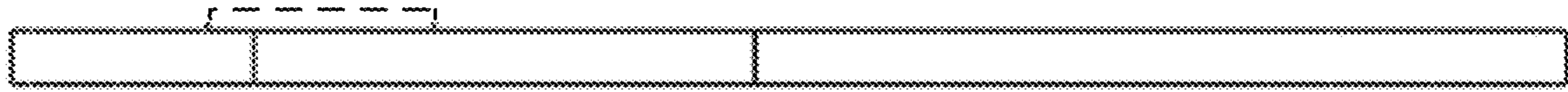


FIG. 6.

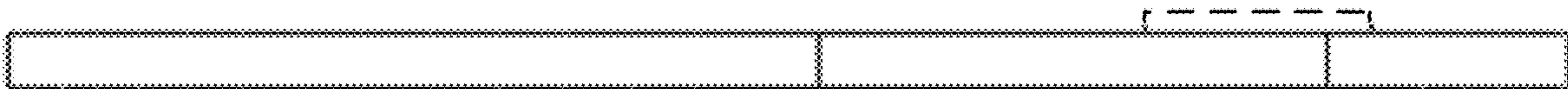


FIG. 7.

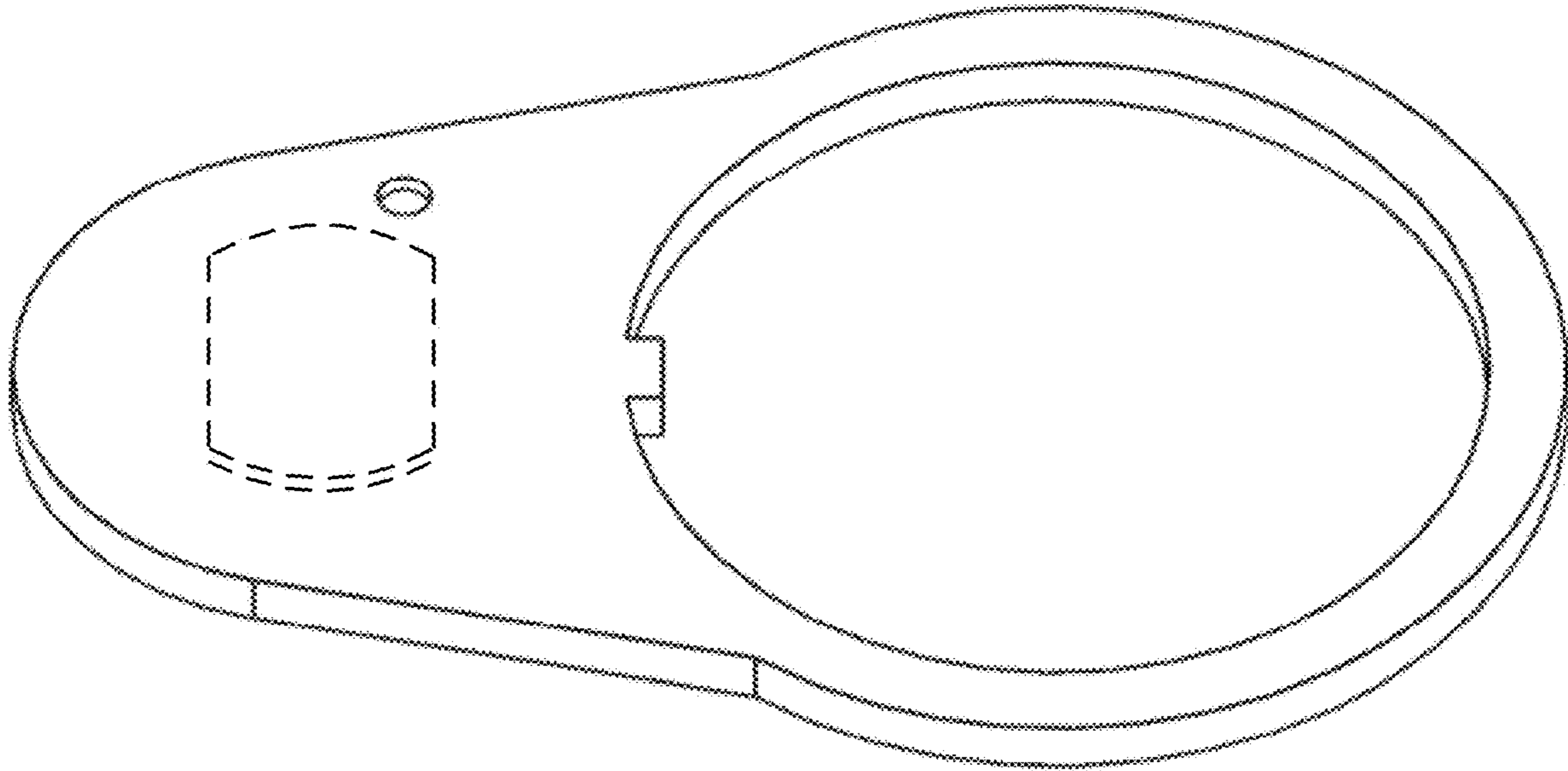


FIG. 8.

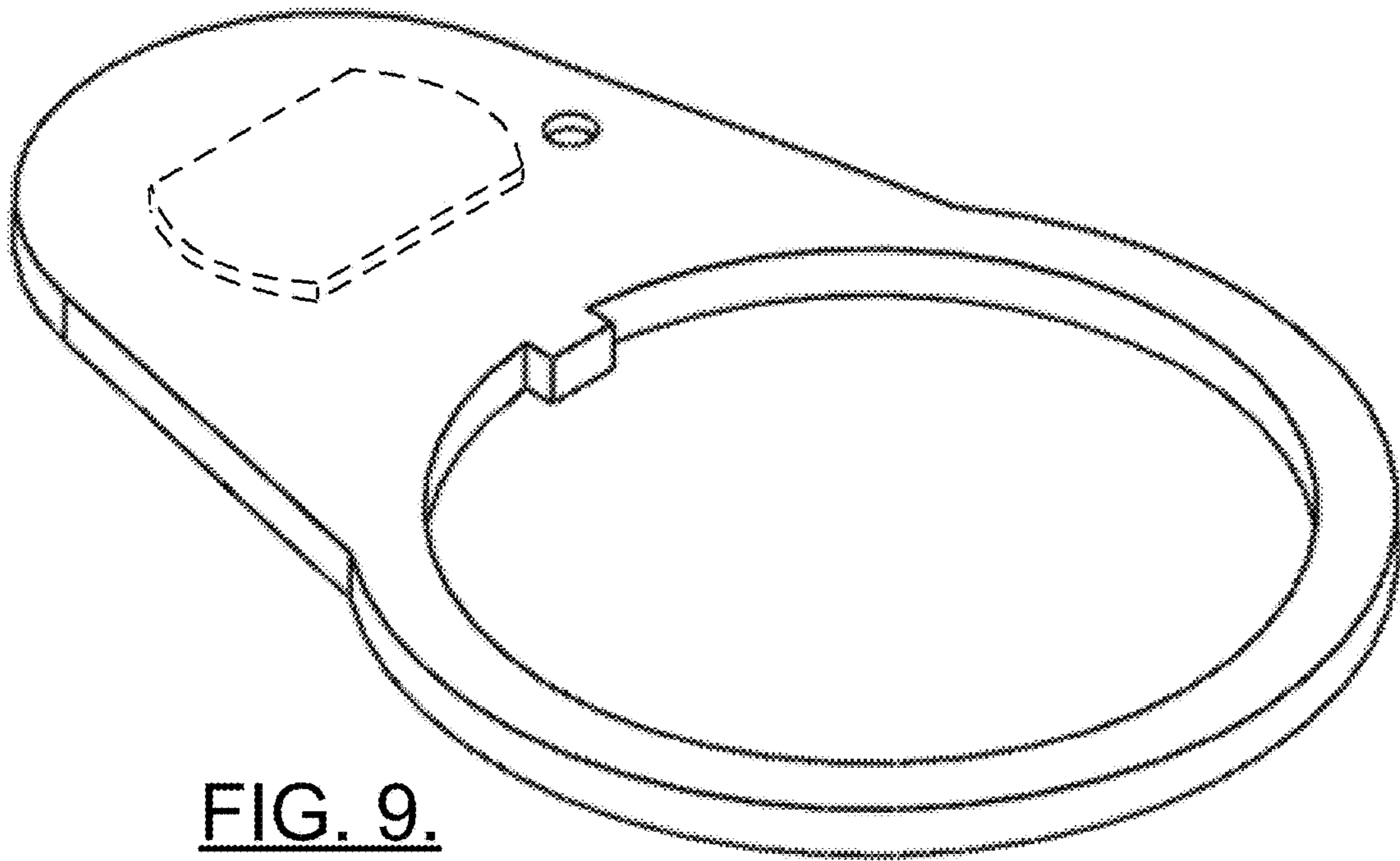


FIG. 9.