



US00D894315S

(12) **United States Design Patent**
Noonan et al.

(10) **Patent No.:** **US D894,315 S**

(45) **Date of Patent:** **** Aug. 25, 2020**

(54) **FRAME**

(71) Applicants: **Paul T. Noonan**, Boise, ID (US);
Aaron Neal Trout, Fayetteville, AR
(US); **Tingwu Song**, Palos Verdes
Estates, CA (US)

(72) Inventors: **Paul T. Noonan**, Boise, ID (US);
Aaron Neal Trout, Fayetteville, AR
(US); **Tingwu Song**, Palos Verdes
Estates, CA (US)

(**) Term: **15 Years**

(21) Appl. No.: **29/634,091**

(22) Filed: **Jan. 18, 2018**

(51) **LOC (12) Cl.** **22-01**

(52) **U.S. Cl.**
USPC **D22/108**

(58) **Field of Classification Search**
USPC D22/100, 104, 105, 107–110, 199;
D21/571–575; D14/418; 124/16, 25.7,
124/27, 45, 82, 23.1, 35.2, 37, 79;
446/401, 403, 400, 473, 445, 182, 405,
446/407; 248/200; D8/354, 373, 380,
D8/499; 42/4, 41, 42.01, 42.02, 42.03,
42/43, 44, 45, 57, 69.01, 71.02, 72, 100
CPC F41C 3/14; F41C 3/16; F41C 3/04
See application file for complete search history.

(56) **References Cited**

U.S. PATENT DOCUMENTS

D387,842 S * 12/1997 Kaminski D22/100
D598,065 S * 8/2009 Vukovic D22/104
D676,094 S * 2/2013 Hu D21/574
D681,131 S * 4/2013 Su D21/574
D687,506 S * 8/2013 Yigit D22/104
D688,764 S * 8/2013 Yigit D22/104
D690,374 S * 9/2013 Lee D21/574
D742,985 S * 11/2015 Hudson, III D22/104
D754,802 S * 4/2016 Martelli D21/574

D755,324 S * 5/2016 Martelli D22/104
D755,907 S * 5/2016 Hu D21/574
D772,364 S * 11/2016 Kedairy D22/104
D791,262 S * 7/2017 Brown D22/104

(Continued)

OTHER PUBLICATIONS

1911 80% 45 ACP Double Stacked Full Size Government Pistol
Frame Made of 414—Steel—\$160, Gun.Deals, [online], [site vis-
ited Jul. 25, 2019]. <URL: [https://gun.deals/product/1911-80-45-
acp-double-stacked-full-size-government-pistol-frame-made-4140-
steel-160](https://gun.deals/product/1911-80-45-acp-double-stacked-full-size-government-pistol-frame-made-4140-steel-160)> (Year: 2019).*

(Continued)

Primary Examiner — T Chase Nelson
Assistant Examiner — Jonathan J. Han

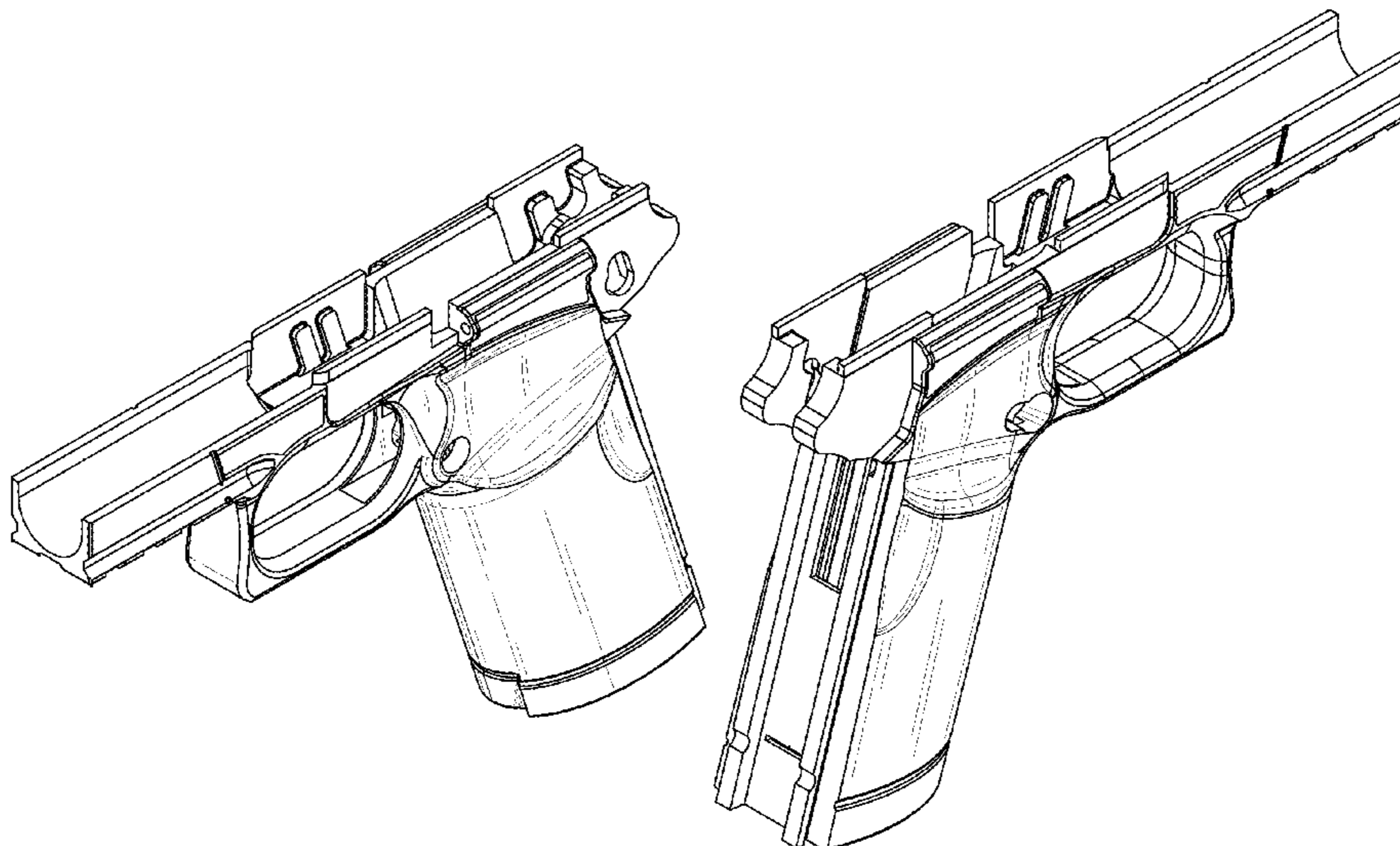
(57) **CLAIM**

We claim the ornamental design for a frame, as shown and
described.

DESCRIPTION

FIG. 1 is a front right-side perspective view of a frame
according to the present invention;
FIG. 2 is a rear right-side perspective view of the frame of
FIG. 1;
FIG. 3 is front left-side perspective view of the frame of
FIG. 1;
FIG. 4 is a rear left-side perspective view of the frame of
FIG. 1;
FIG. 5 is a right-side view of the frame of FIG. 1;
FIG. 6 is a left-side view of the frame of FIG. 1;
FIG. 7 is a front view of the frame of FIG. 1;
FIG. 8 is a rear view of the frame of FIG. 1;
FIG. 9 is a top view of the frame of FIG. 1; and,
FIG. 10 is a bottom view of the frame of FIG. 1.
The broken line showing is included for the purpose of
illustrating portions of the frame that form no part of the
claimed design.

1 Claim, 10 Drawing Sheets



(56)

References Cited

U.S. PATENT DOCUMENTS

D794,739 S * 8/2017 Kedairy D22/104
 D808,487 S * 1/2018 Beville D22/104
 D815,233 S * 4/2018 Toner D22/104
 10,030,929 B1 * 7/2018 Lessard F41A 21/30
 D828,881 S * 9/2018 Lee D21/574
 10,126,080 B2 * 11/2018 Martin F41A 17/22
 D846,681 S * 4/2019 Zukowski D22/104
 D849,868 S * 5/2019 Sroufe D22/104
 10,295,294 B2 * 5/2019 Righi F41A 35/00
 D854,642 S * 7/2019 Shinkle D22/104
 2006/0288990 A1 * 12/2006 Wei F41B 11/62
 124/80
 2011/0119979 A1 * 5/2011 Gussalli Beretta ... F41A 17/063
 42/1.02
 2014/0165442 A1 * 6/2014 Nebeker F41A 3/64
 42/16
 2017/0146315 A1 * 5/2017 Bruhns F41C 23/10
 2017/0321980 A1 * 11/2017 Wolf F41A 19/15

2018/0356177 A1 * 12/2018 Scott F41A 35/02
 2019/0101345 A1 * 4/2019 Fellows F41A 3/66
 2019/0195596 A1 * 6/2019 Thomele F41C 27/22

OTHER PUBLICATIONS

PF940C (G19) Polymer 80% Compact Pistol Frame READY-MOD, TacticalShit.com, [online], [site visited Jul. 25, 2019]. <URL: <https://shop.tacticalshit.com/new-polymer80-compact-80-frame-ready-mod>> (Year: 2019).*

H&K VP9 Pmm Striker-Fired Pistol with Grey Frame, VanceOutdoors.com, [online], [site visited Jul. 25, 2019]. <URL: <https://www.vanceoutdoors.com/products2.cfm/ID/184141/m700009gya5/h--k-vp9-9mm-striker-fired-pistol-with-grey-frame>> (Year: 2019).*

Beretta APX Compact .40 S&W Semi Auto Pistol 3.7" Barrel 10 Rounds Polymer Frame Black, CheaperThanDirt.com, [online], [site visited Jul. 25, 2019]. <URL: <https://www.cheaperthandirt.com/beretta-apx-compact-40-sandw-semi-auto-pistol-3.7-barrel-10-rounds-polymer-frame-black/FC-0>> (Year: 2019).*

* cited by examiner

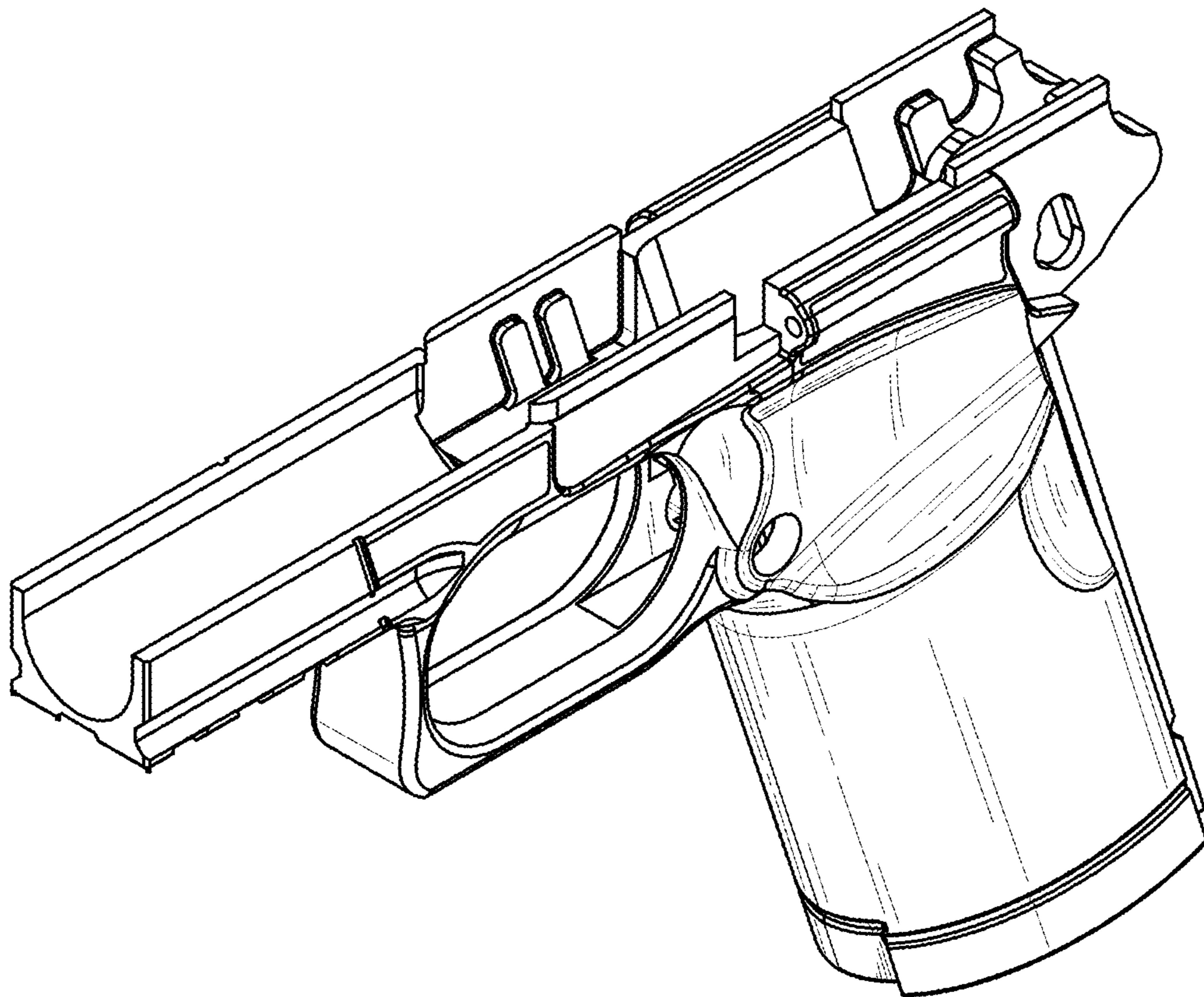


FIG. 1

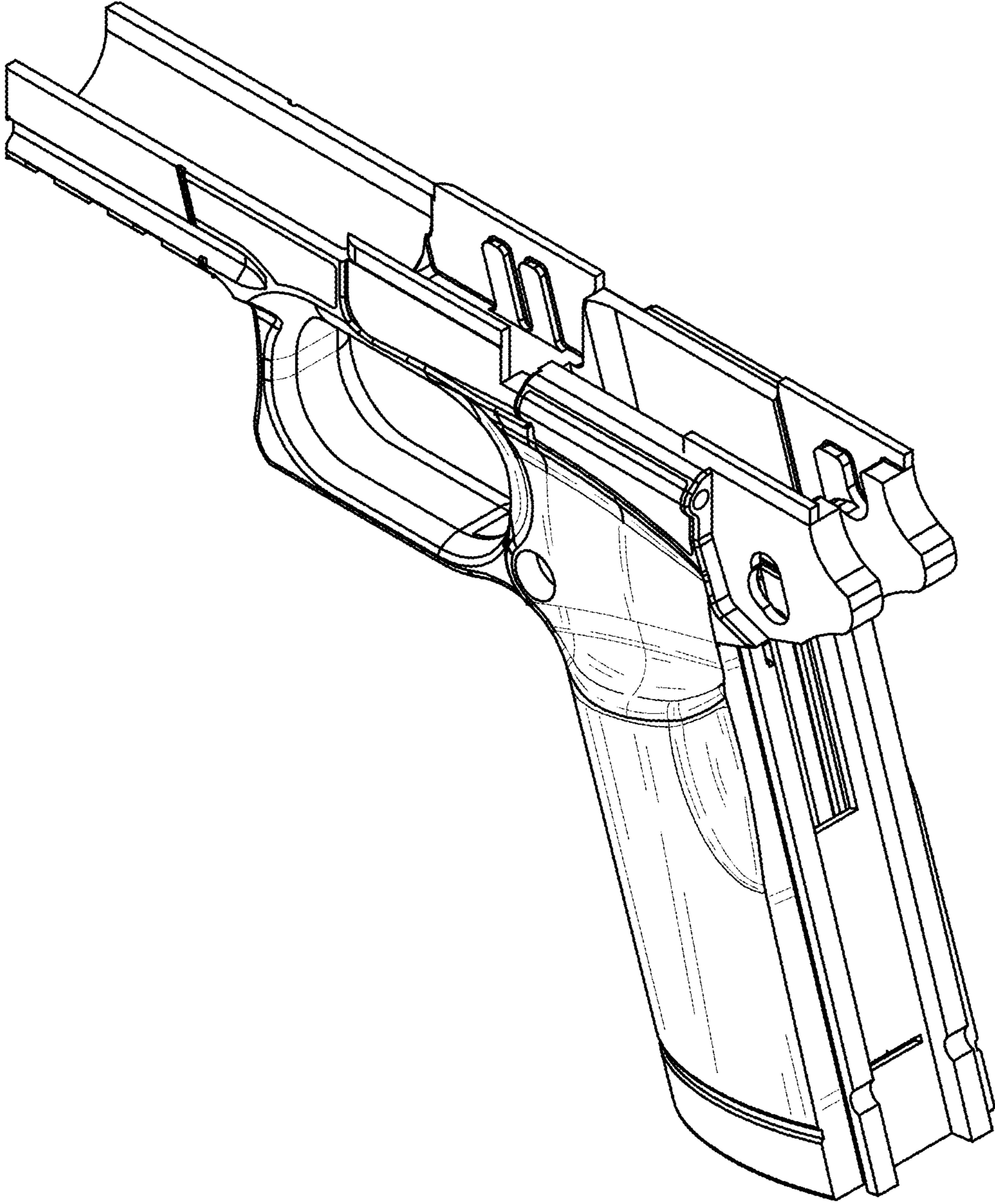


FIG. 2

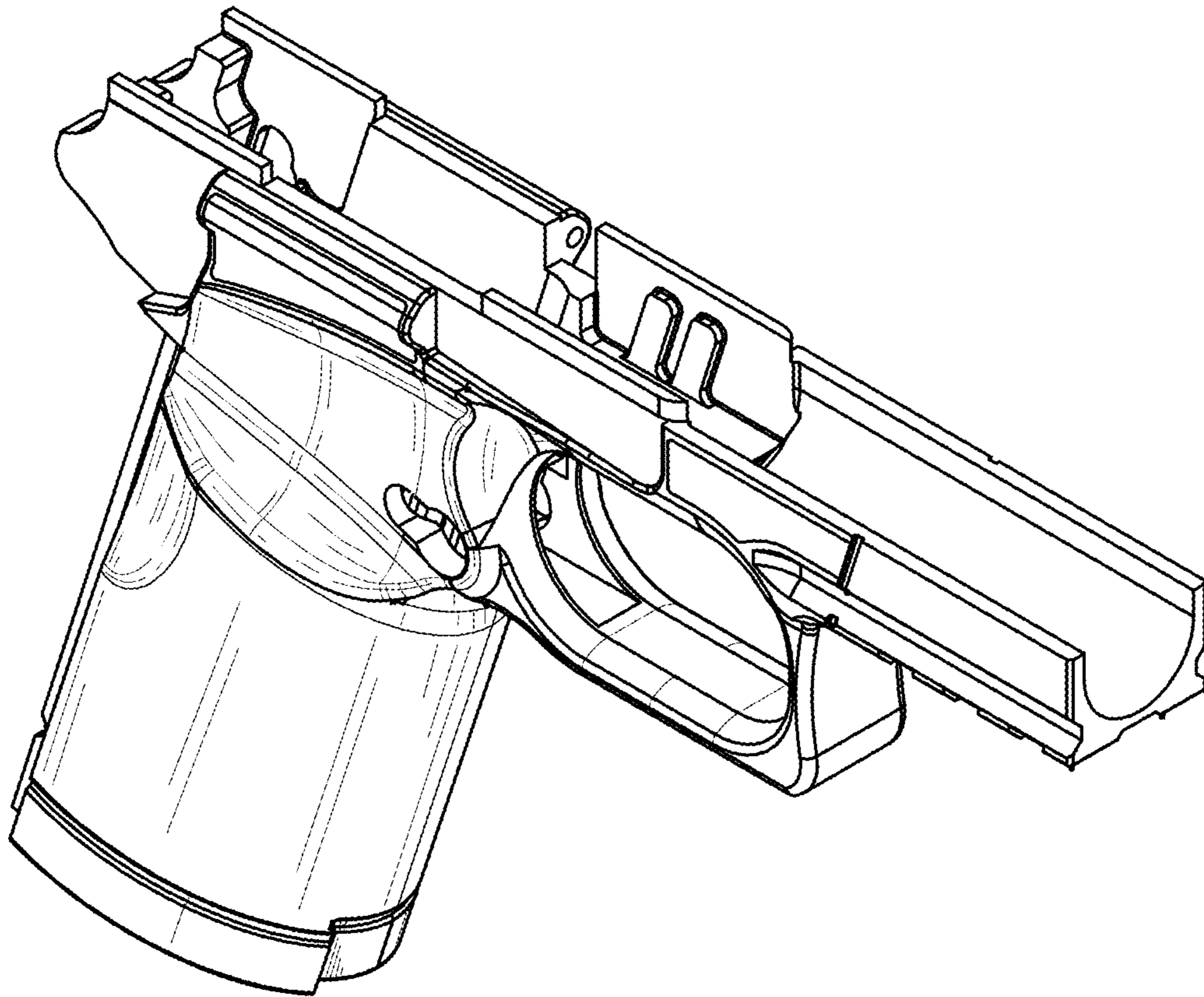


FIG. 3

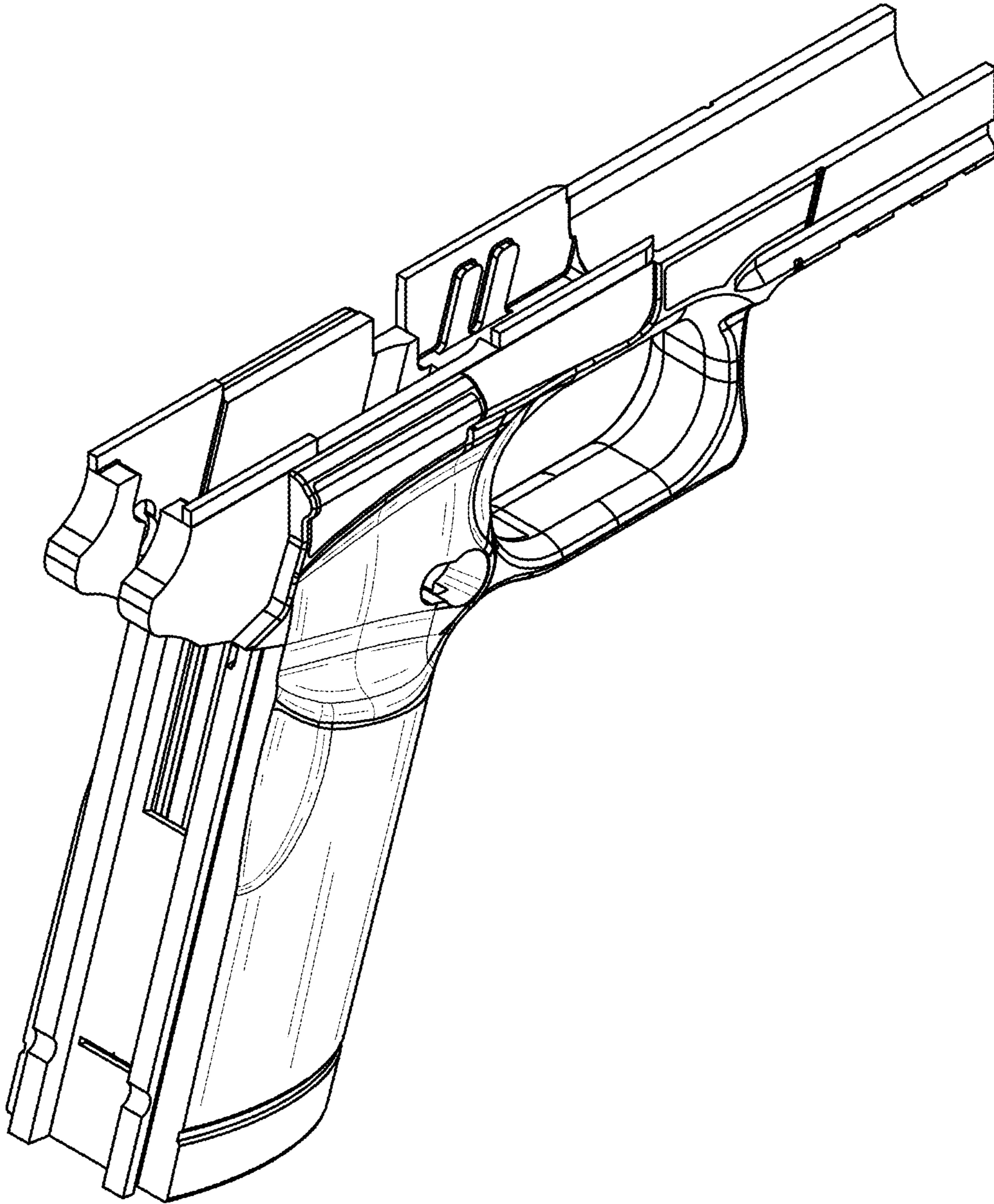


FIG. 4

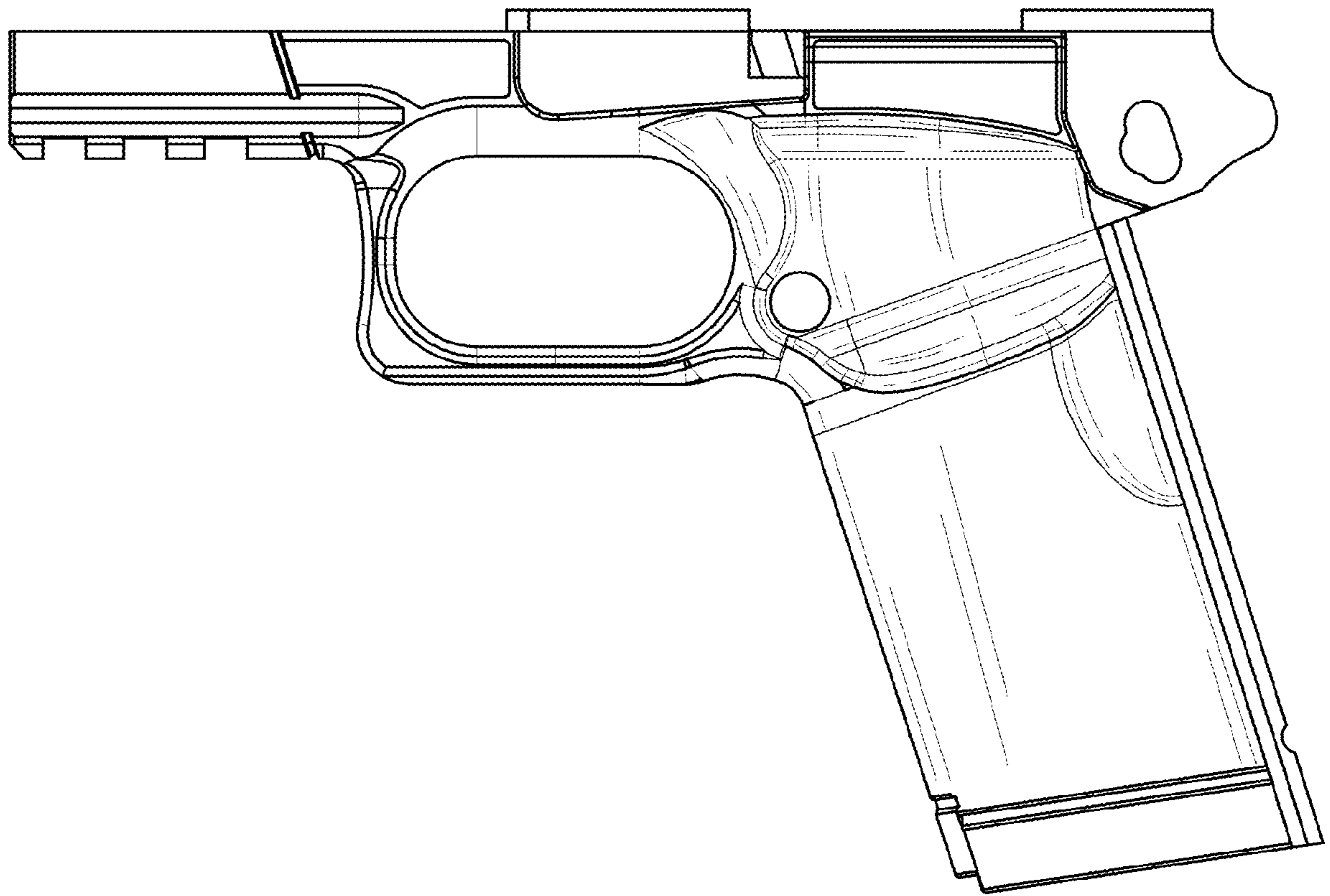


FIG. 5

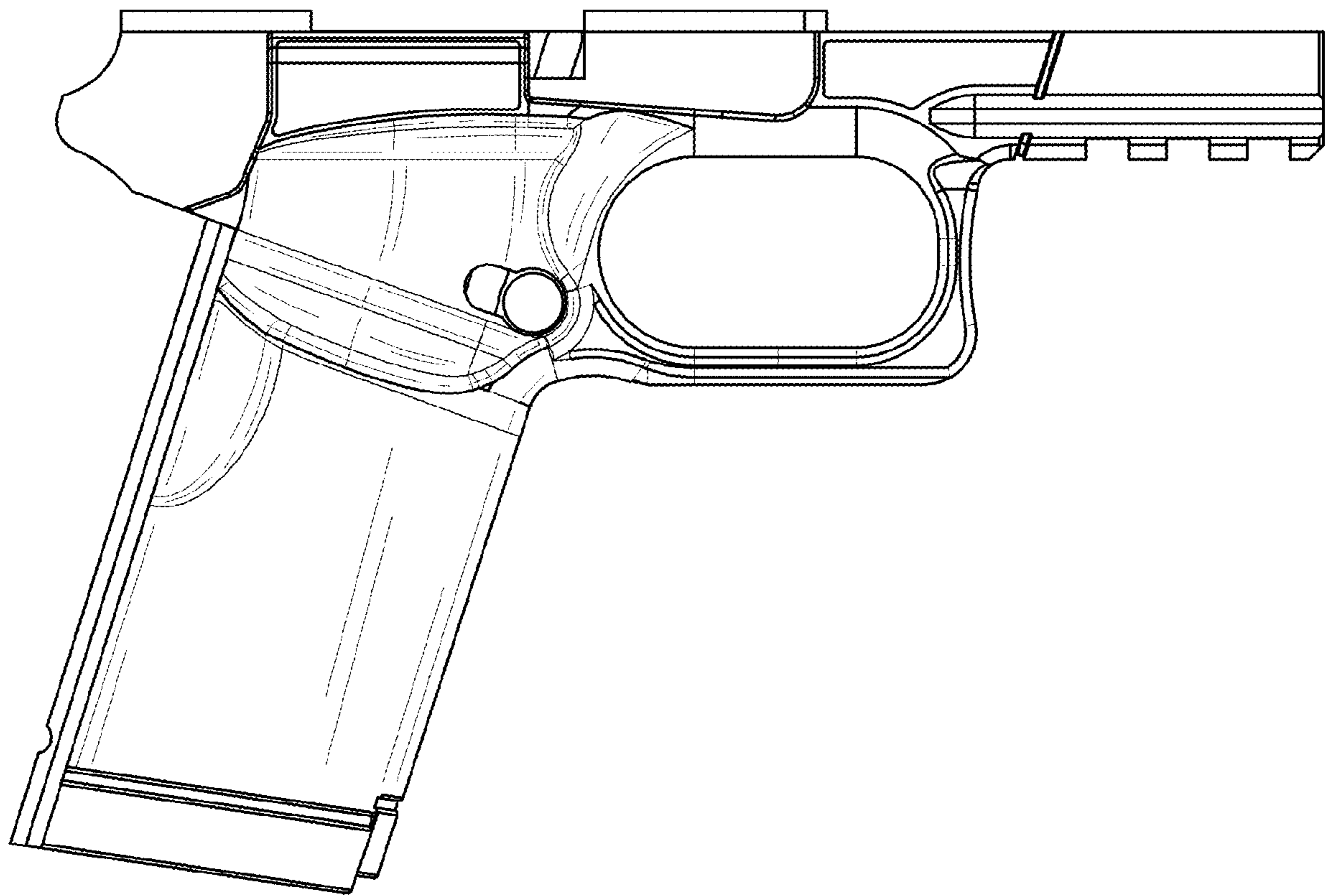


FIG. 6

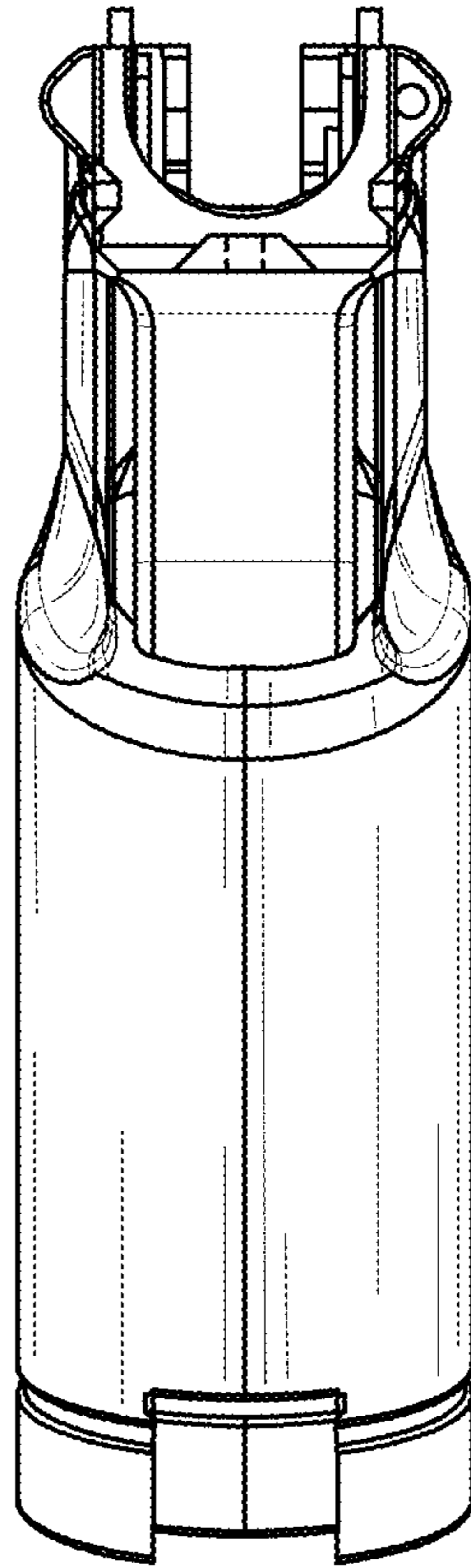


FIG. 7

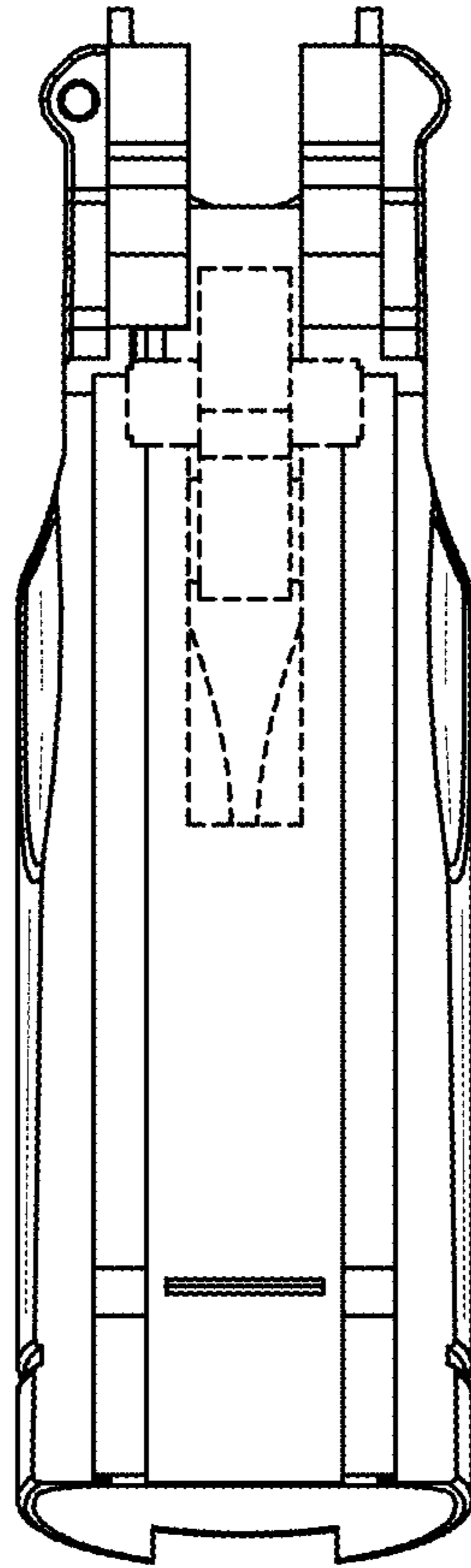


FIG. 8

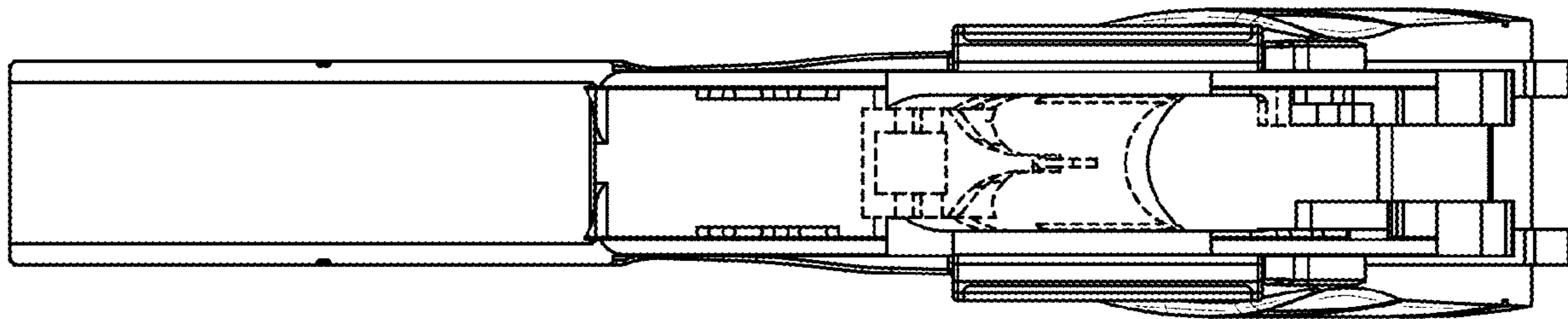


FIG. 9

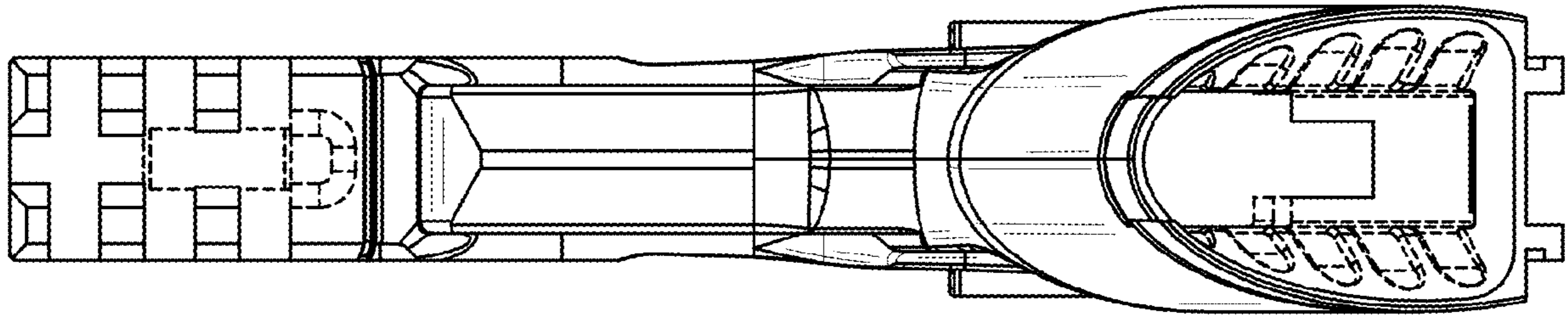


FIG. 10