



US00D894313S

(12) **United States Design Patent**
Noonan

(10) **Patent No.:** **US D894,313 S**

(45) **Date of Patent:** **** Aug. 25, 2020**

- (54) **FIREARM UPPER ASSEMBLY**
- (71) Applicant: **F.M. Products Inc**, Boise, ID (US)
- (72) Inventor: **Paul T. Noonan**, Boise, ID (US)
- (73) Assignee: **F. M. Products Inc**, Boise, ID (US)
- (**) Term: **15 Years**
- (21) Appl. No.: **29/616,187**

8,789,304	B2 *	7/2014	Engesser	F41A 21/481	42/75.01
D716,902	S *	11/2014	Nason	D22/108	
D724,171	S *	3/2015	Trusty	D22/108	
D733,827	S *	7/2015	Serbu	D22/103	
D735,288	S *	7/2015	Gomez	D22/108	
D748,754	S *	2/2016	Chastain	D22/108	
9,574,852	B1 *	2/2017	McKillips	F41G 11/003	
9,702,652	B1 *	7/2017	Jackson	F41A 21/482	
10,024,632	B1 *	7/2018	Oglesby	F41G 11/003	
D827,753	S *	9/2018	Lessard	D22/103	
2010/0186582	A1 *	7/2010	Juarez	F41A 5/28	89/191.01

(Continued)

- (22) Filed: **Sep. 3, 2017**
- (51) **LOC (12) Cl.** **22-01**
- (52) **U.S. Cl.**

OTHER PUBLICATIONS

<https://fm-products.com/upper-receiver-556/>—Retrieved on Sep. 4, 2018.*

(Continued)

- (58) **Field of Classification Search**
- USPC **D22/108**; D22/103
- D21/300, 301, 304, 387, 567, 570, 571, D21/573, 574, 575, 746; D22/100, 101, D22/102, 103, 106, 107, 108, 109, 110, D22/111, 112, 199
- CPC F41A 3/26; F41A 3/12; F41A 5/02; F41A 17/22; F41B 5/143; F41B 5/14; F41B 5/066; F41B 7/08; F41B 5/1446; F41B 5/148; F41B 5/1465; F42B 6/04; F42B 6/08; F42B 6/02; F42B 6/06; F42B 12/362; F41C 23/16; F41C 27/00; F41C 7/00; F41G 11/003; F41G 11/001; F41G 11/004; F41G 11/005; A63H 5/04
- See application file for complete search history.

Primary Examiner — Khawaja Anwar
Assistant Examiner — Mojtaba Tehrani

(57) **CLAIM**

I claim the ornamental design for a firearm upper assembly, as shown and described.

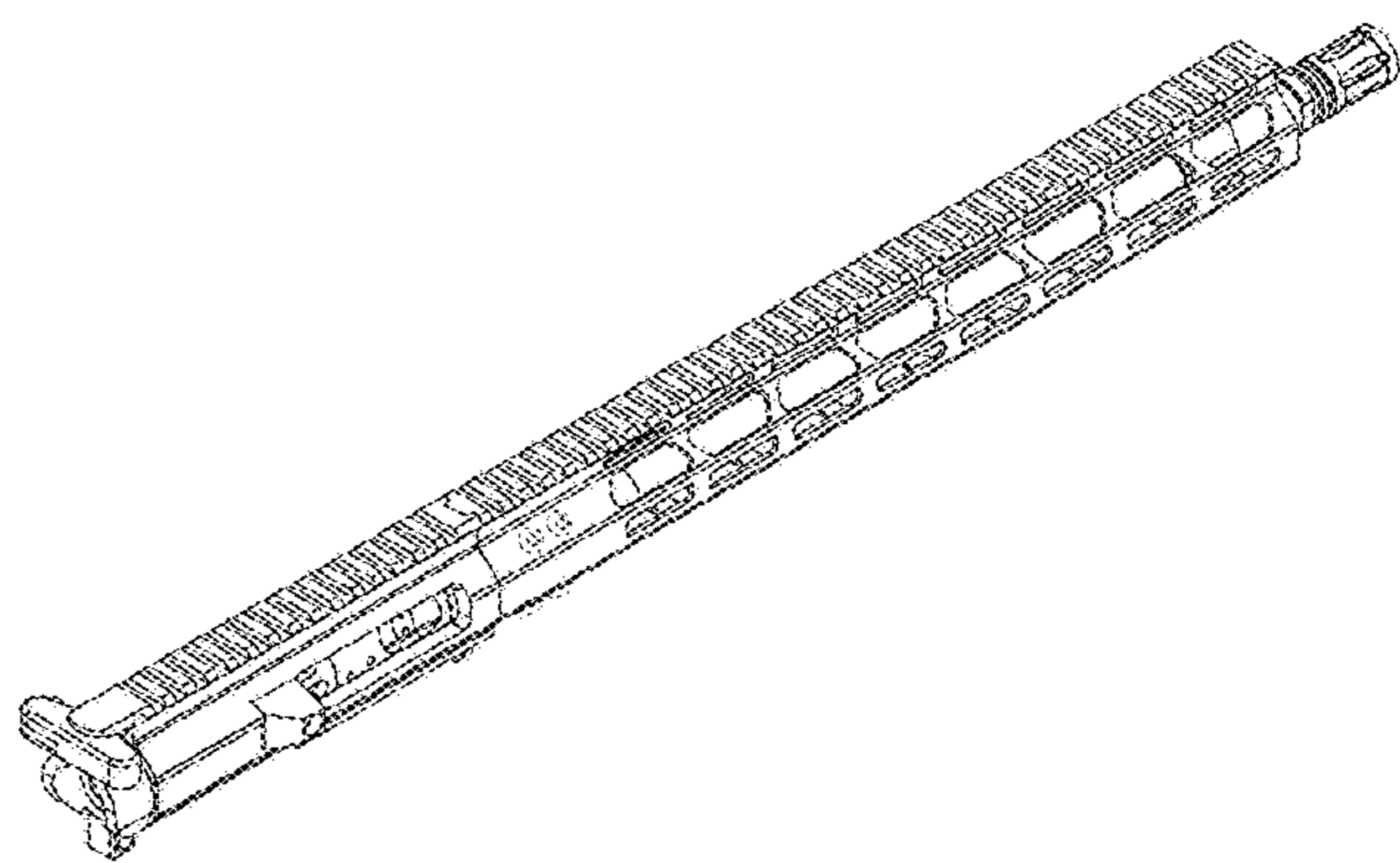
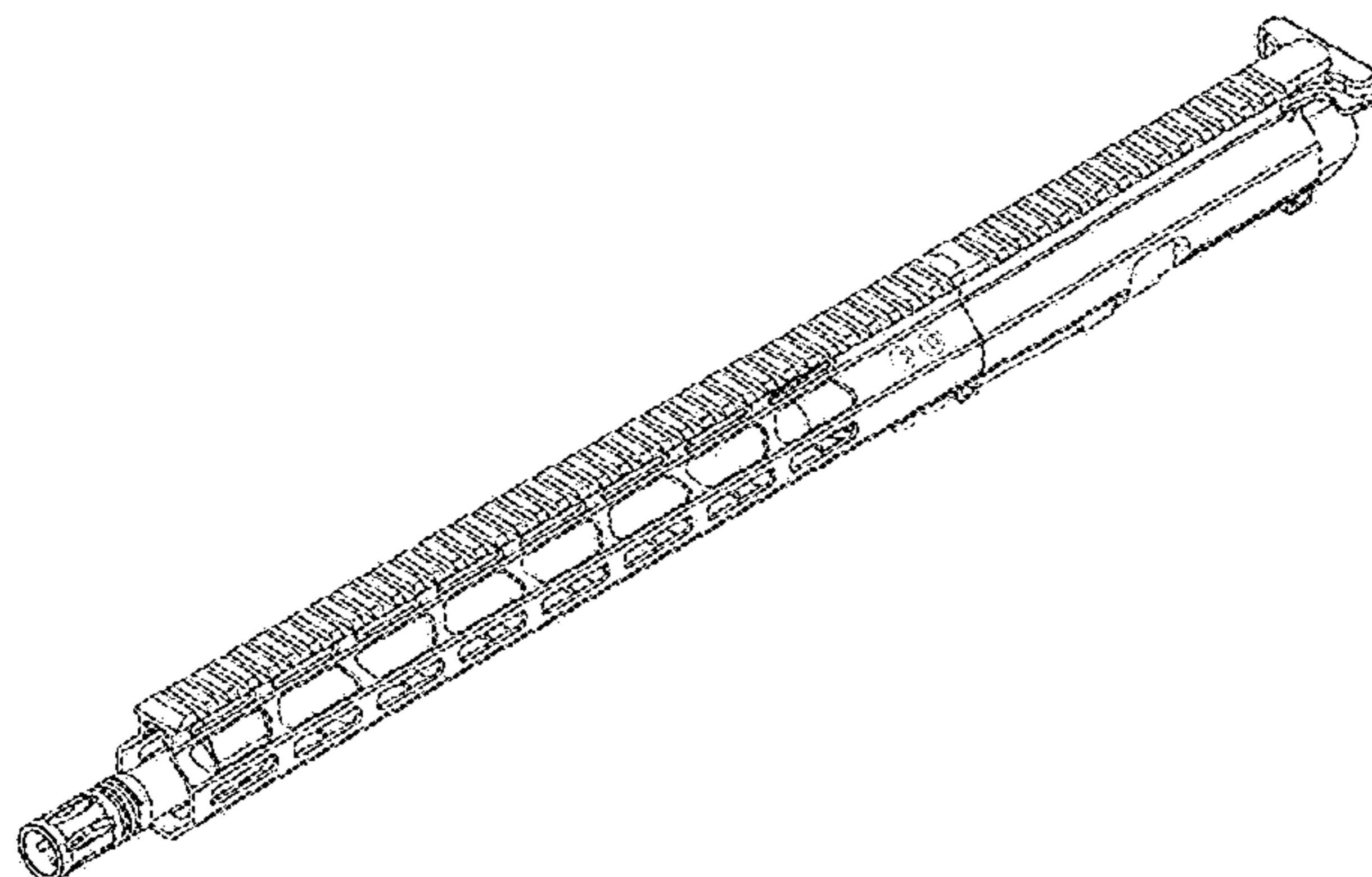
DESCRIPTION

FIG. 1 is a front perspective view of a firearm upper assembly showing my new design; FIG. 2 is a rear perspective view thereof; FIG. 3 is a right-side view thereof; FIG. 4 is a left-side view thereof; FIG. 5 is a rear view thereof; FIG. 6 is a front view thereof; FIG. 7 is a top view thereof; and, FIG. 8 is a bottom view thereof. The broken line in the drawings depicts unclaimed subject matter that and forms no part of the claimed design.

1 Claim, 8 Drawing Sheets

(56) **References Cited**
U.S. PATENT DOCUMENTS

D590,473	S *	4/2009	Fitzpatrick	D22/103
D604,793	S *	11/2009	Fitzpatrick	D22/108
D636,048	S *	4/2011	Larson	D22/108
D674,859	S *	1/2013	Robbins	D22/108
8,726,557	B2 *	5/2014	Stone	F41C 23/16
					42/71.01
D708,693	S *	7/2014	Faxon	D22/108



(56)

References Cited

U.S. PATENT DOCUMENTS

2012/0167424 A1* 7/2012 Gomez F41A 17/42
42/14
2012/0186123 A1* 7/2012 Troy F41C 23/16
42/71.01
2014/0075804 A1* 3/2014 Langevin F41C 23/16
42/16
2015/0168096 A1* 6/2015 Miller F41C 23/16
42/71.01
2015/0369555 A1* 12/2015 Daniel F41A 21/485
42/75.02
2017/0307321 A1* 10/2017 DeSomma F41A 21/10
2018/0216904 A1* 8/2018 Noonan F41A 9/68
2018/0224239 A1* 8/2018 Noonan F41C 23/22

OTHER PUBLICATIONS

<https://www.youtube.com/watch?v=BuozSbsrNik>—Published on Jul.
31, 2018.*

* cited by examiner

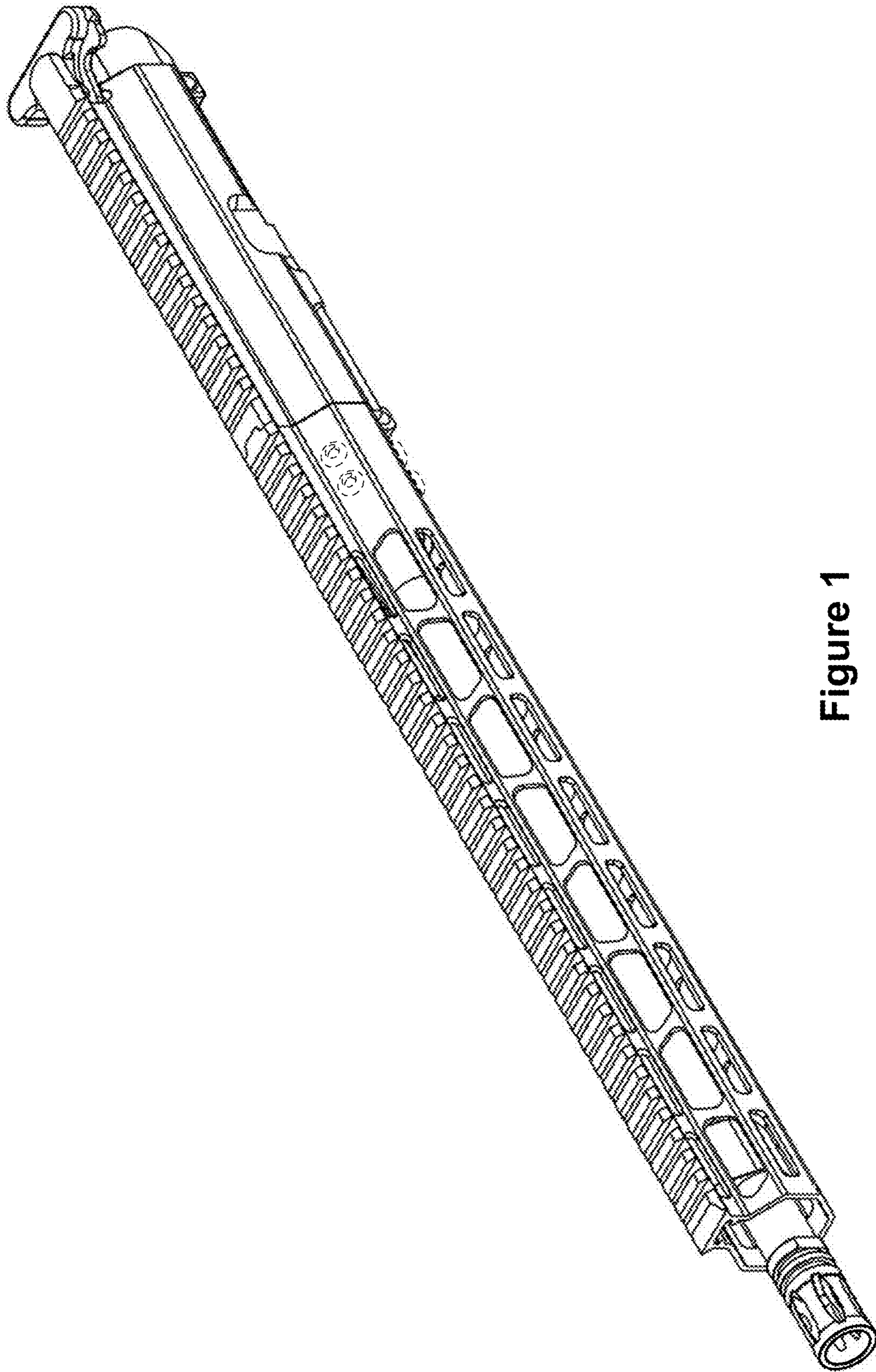


Figure 1

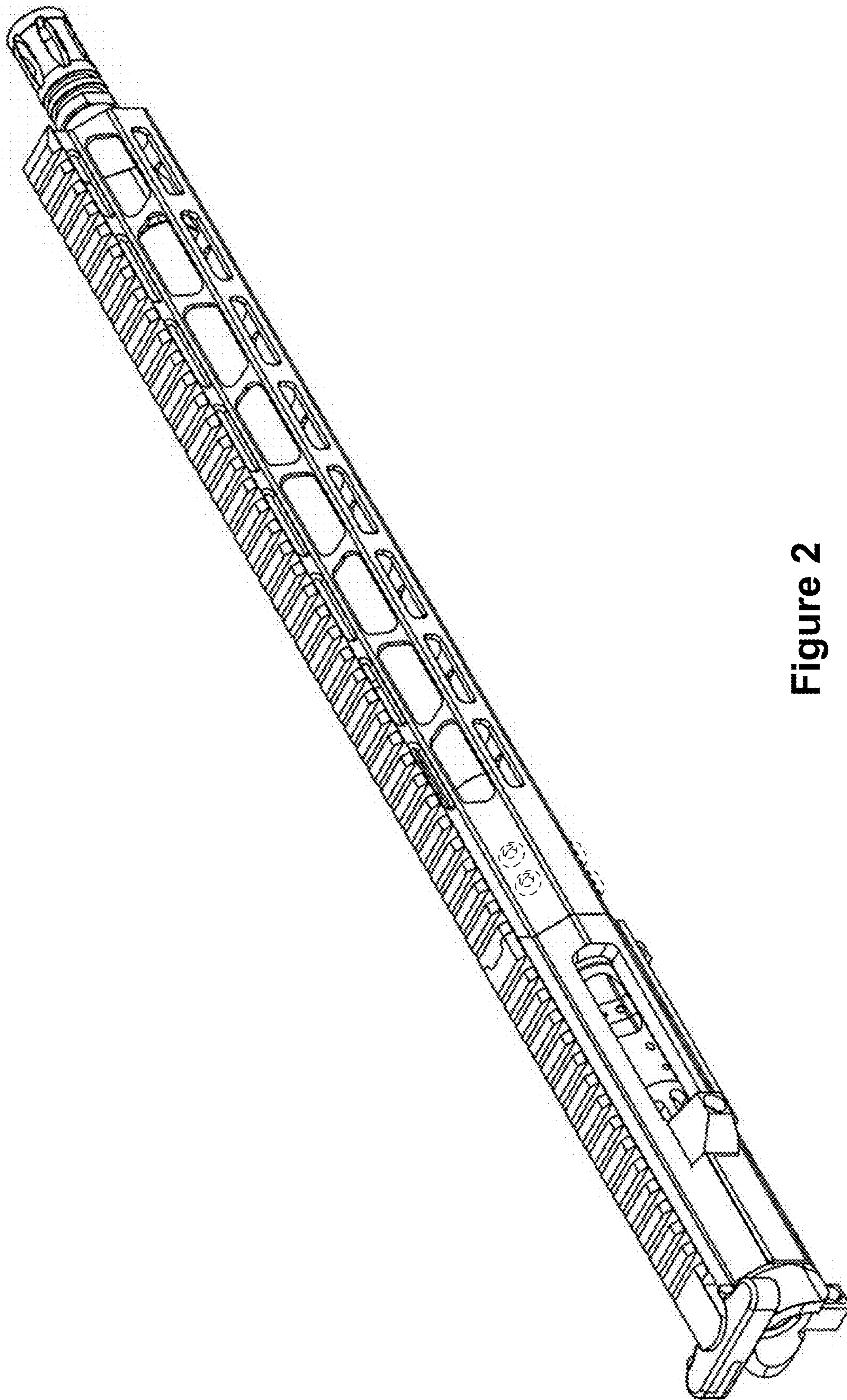


Figure 2

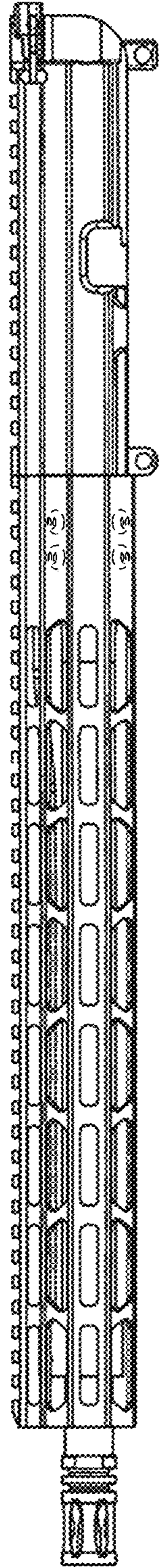


Figure 3

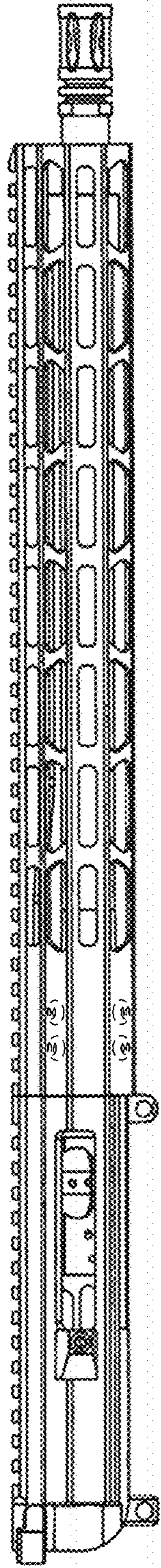


Figure 4

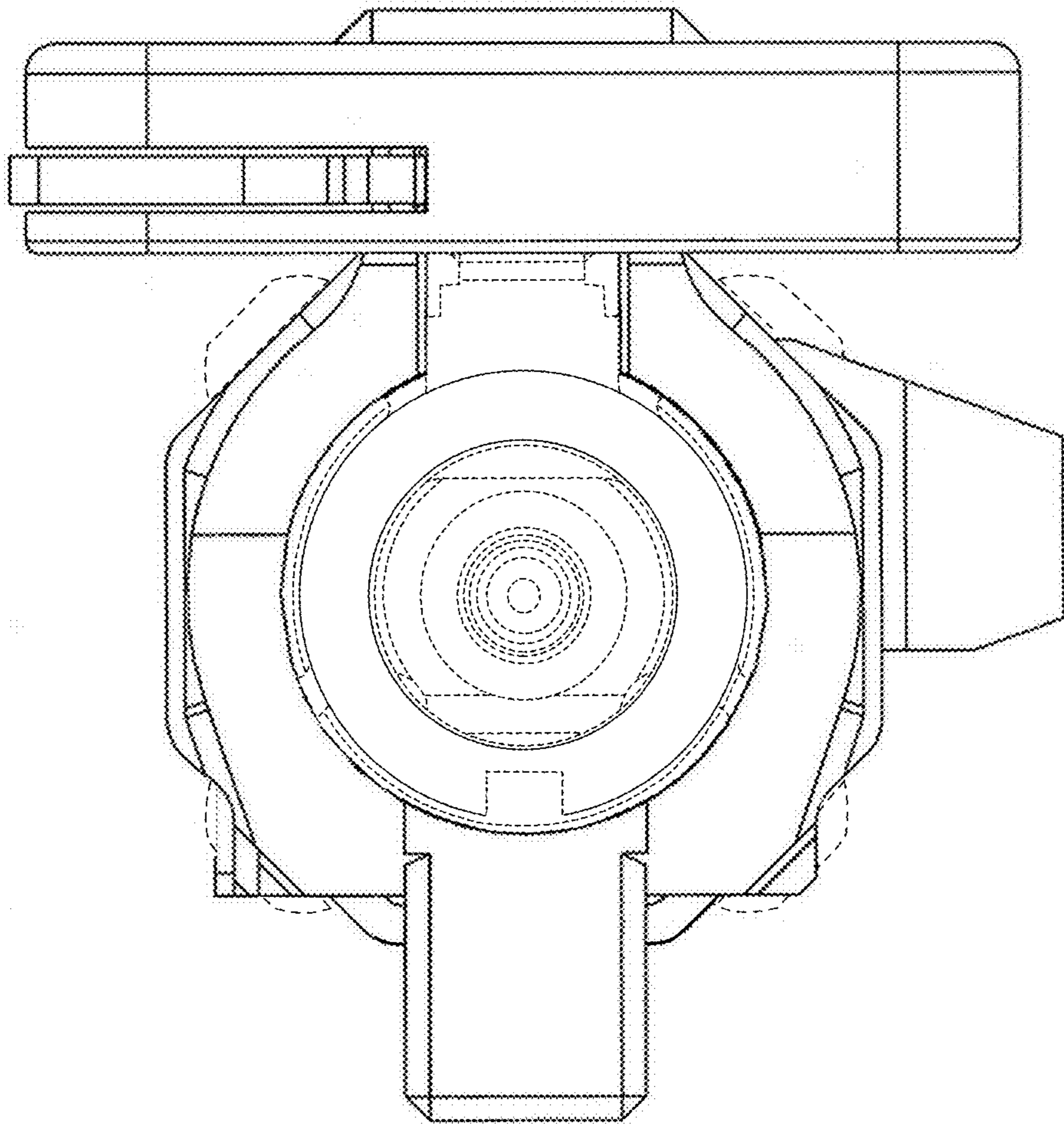


Figure 5

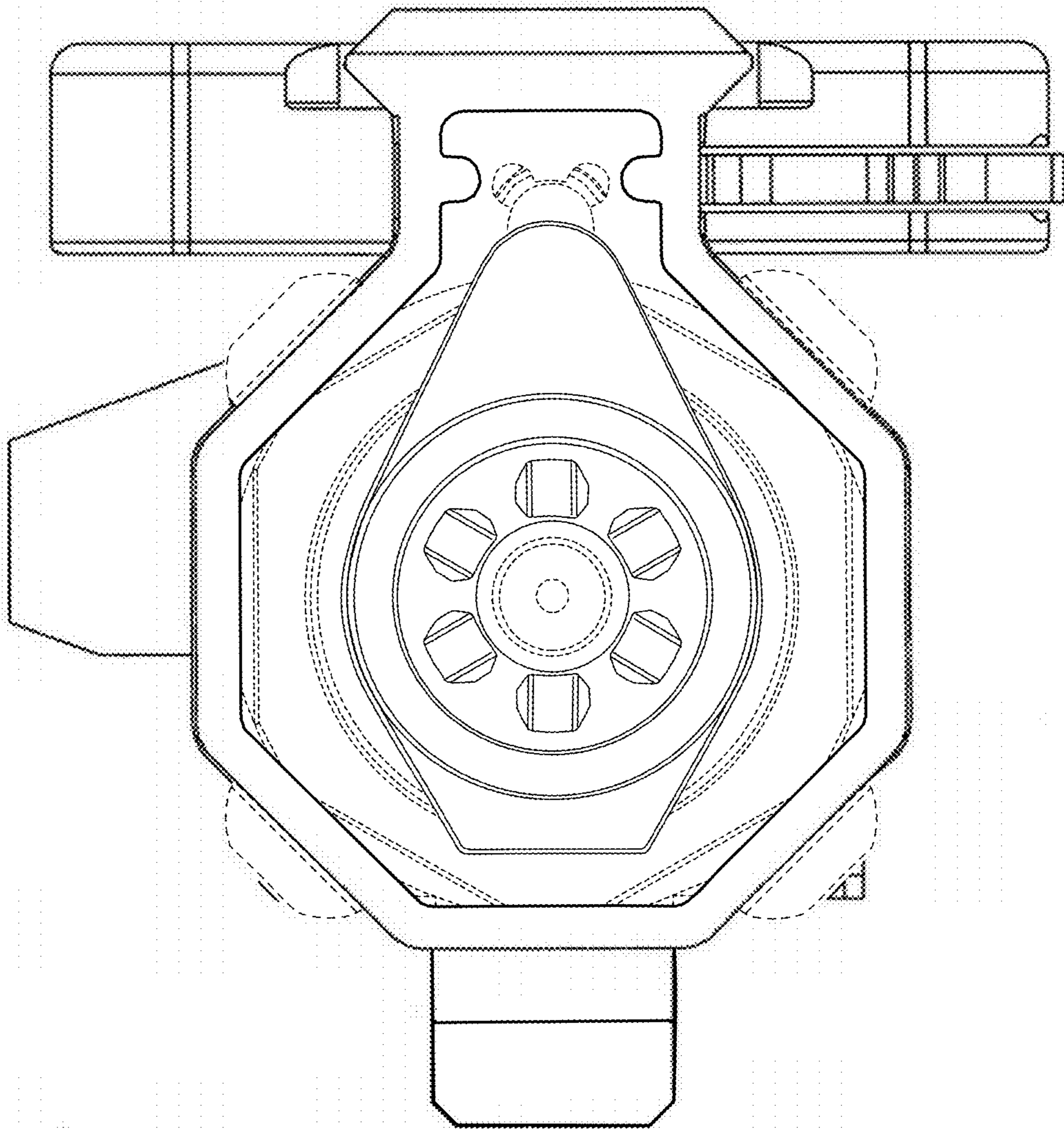


Figure 6

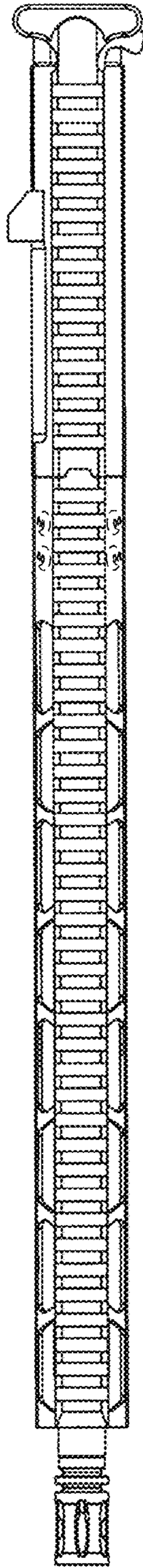


Figure 7

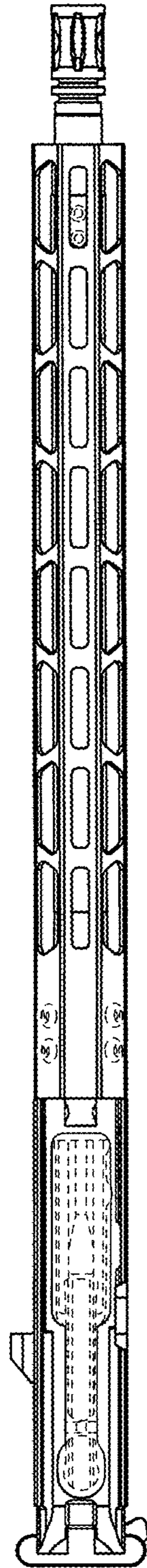


Figure 8