



US00D894312S

(12) **United States Design Patent**  
**Blosser et al.**

(10) **Patent No.:** **US D894,312 S**  
(45) **Date of Patent:** **\*\* Aug. 25, 2020**

(54) **CUT-ON-CONTACT BROADHEAD**

(71) Applicant: **FeraDyne Outdoors, LLC**, Superior, WI (US)

(72) Inventors: **Benjamin D. Blosser**, Corydon, KY (US); **Jon Arthur Syverson**, Cloquet, MN (US)

(73) Assignee: **FeraDyne Outdoors, LLC**, Superior, WI (US)

(\*\*) Term: **15 Years**

(21) Appl. No.: **29/666,819**

(22) Filed: **Oct. 16, 2018**

**Related U.S. Application Data**

(63) Continuation of application No. 16/161,713, filed on Oct. 16, 2018, now Pat. No. 10,458,763.

(51) **LOC (12) Cl.** ..... **22-01**

(52) **U.S. Cl.**  
USPC ..... **D22/107**

(58) **Field of Classification Search**  
USPC ..... **D22/107**

(Continued)

(56) **References Cited**

**U.S. PATENT DOCUMENTS**

D730,471 S \* 5/2015 Pedersen ..... D22/107  
D743,500 S \* 11/2015 Pedersen ..... D22/107

(Continued)

*Primary Examiner* — Michael A. Pratt

(74) *Attorney, Agent, or Firm* — Greenberg Traurig, LLP;  
Dipak J. Shah

(57) **CLAIM**

The ornamental design for a cut-on-contact broadhead, as shown and described.

**DESCRIPTION**

FIG. 1 is a perspective view of a cut-on-contact broadhead of the instant disclosure illustrated with the blades fully deployed;

FIG. 2 is another perspective view of the broadhead of FIG. 1;

FIG. 3 is another perspective view of the broadhead of FIG. 1;

FIG. 4 is another perspective view of the broadhead of FIG. 1;

FIG. 5 is an elevation view of the broadhead of FIG. 1 as viewed from a proximal (rear) location;

FIG. 6 is an elevation view of the broadhead of FIG. 1 as viewed from a distal (front) location;

FIG. 7 is a plan view of the broadhead of FIG. 1;

FIG. 8 is another plan view of the broadhead of FIG. 1;

FIG. 9 is another plan view of the broadhead of FIG. 1;

FIG. 10 is another plan view of the broadhead of FIG. 1;

FIG. 11 is a perspective view of the broadhead of FIG. 1 illustrated with the blades fully retracted;

FIG. 12 is another perspective view of the broadhead of FIG. 11;

FIG. 13 is another perspective view of the broadhead of FIG. 11;

FIG. 14 is another perspective view of the broadhead of FIG. 11;

FIG. 15 is an elevation view of the broadhead of FIG. 11 as viewed from the proximal (rear) location;

FIG. 16 is an elevation view of the broadhead of FIG. 11 as viewed from the distal (front) location;

FIG. 17 is a plan view of the broadhead of FIG. 11;

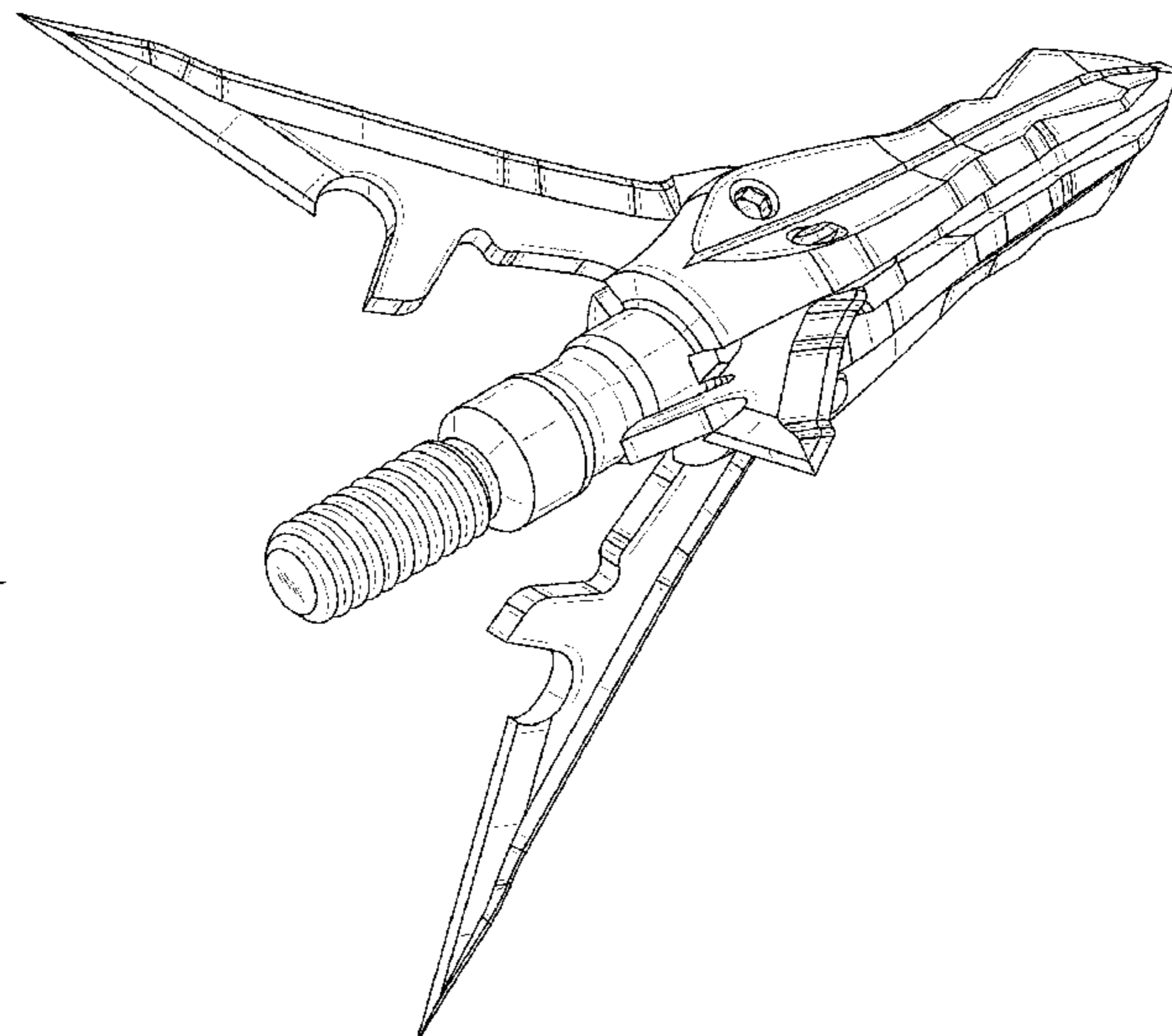
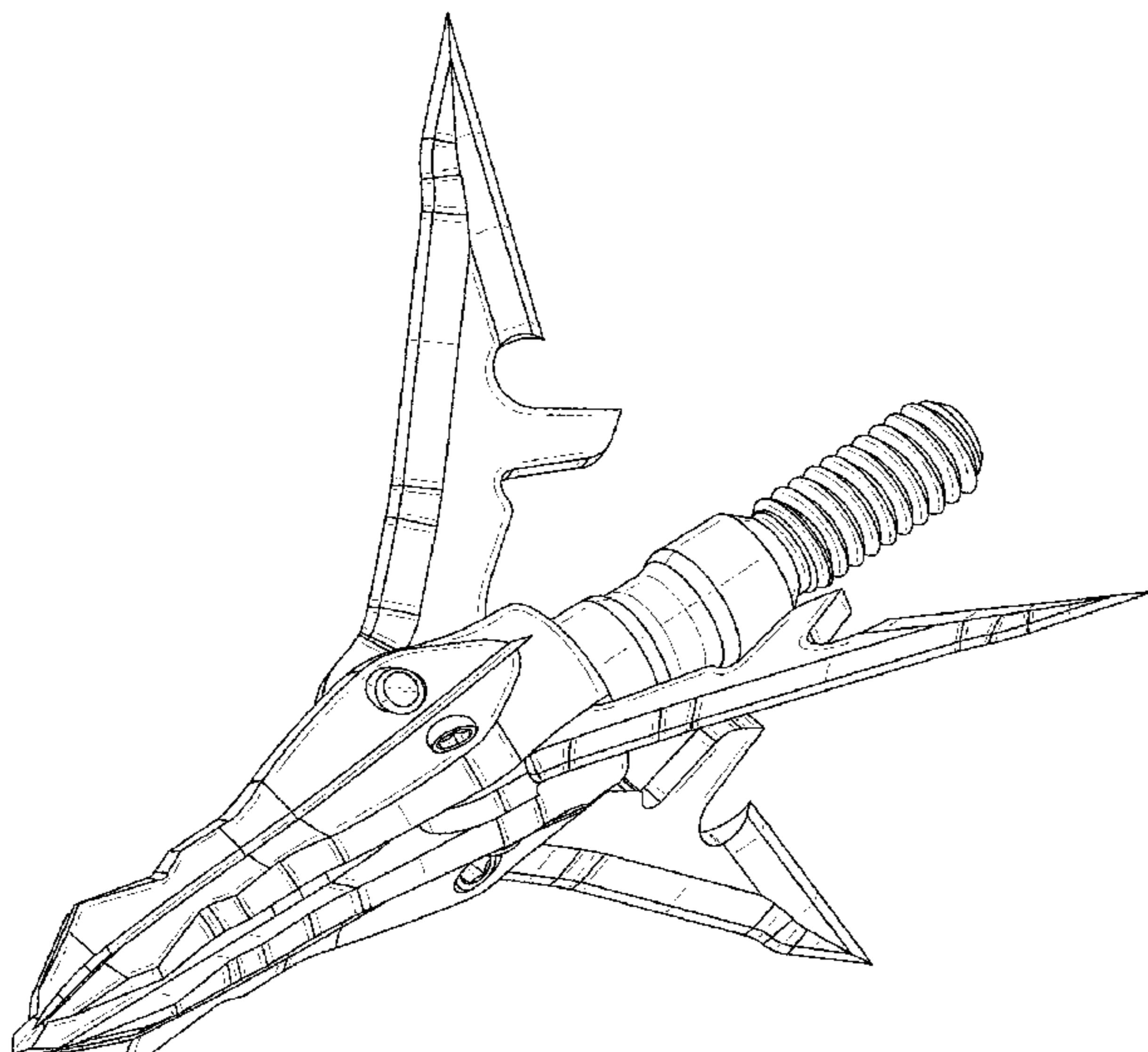
FIG. 18 is another plan view of the broadhead of FIG. 11;

FIG. 19 is another plan view of the broadhead of FIG. 11; and,

FIG. 20 is another plan view of the broadhead of FIG. 11.

Where included, broken lines showing structural and/or other features in the various embodiments of the cut-on-contact broadhead are for illustrative purposes only and, as such, form no part of the claimed design.

**1 Claim, 17 Drawing Sheets**



(58) **Field of Classification Search**

CPC .... F42B 6/04; F42B 6/003; F42B 6/08; F42B  
6/02; F42B 12/362

See application file for complete search history.

(56) **References Cited**

U.S. PATENT DOCUMENTS

D776,782 S *	1/2017	Pedersen .....	D22/107
D847,290 S *	4/2019	Betty .....	D22/107
D870,231 S *	12/2019	Haas .....	F42B 6/08
			D22/115
2015/0354928 A1 *	12/2015	Mizek .....	F42B 6/08
			473/583
2017/0122712 A1 *	5/2017	Hahn .....	F42B 6/08
2019/0219372 A1 *	7/2019	Haas .....	F42B 6/08
2019/0390945 A1 *	12/2019	Blosser .....	F42B 6/08

\* cited by examiner

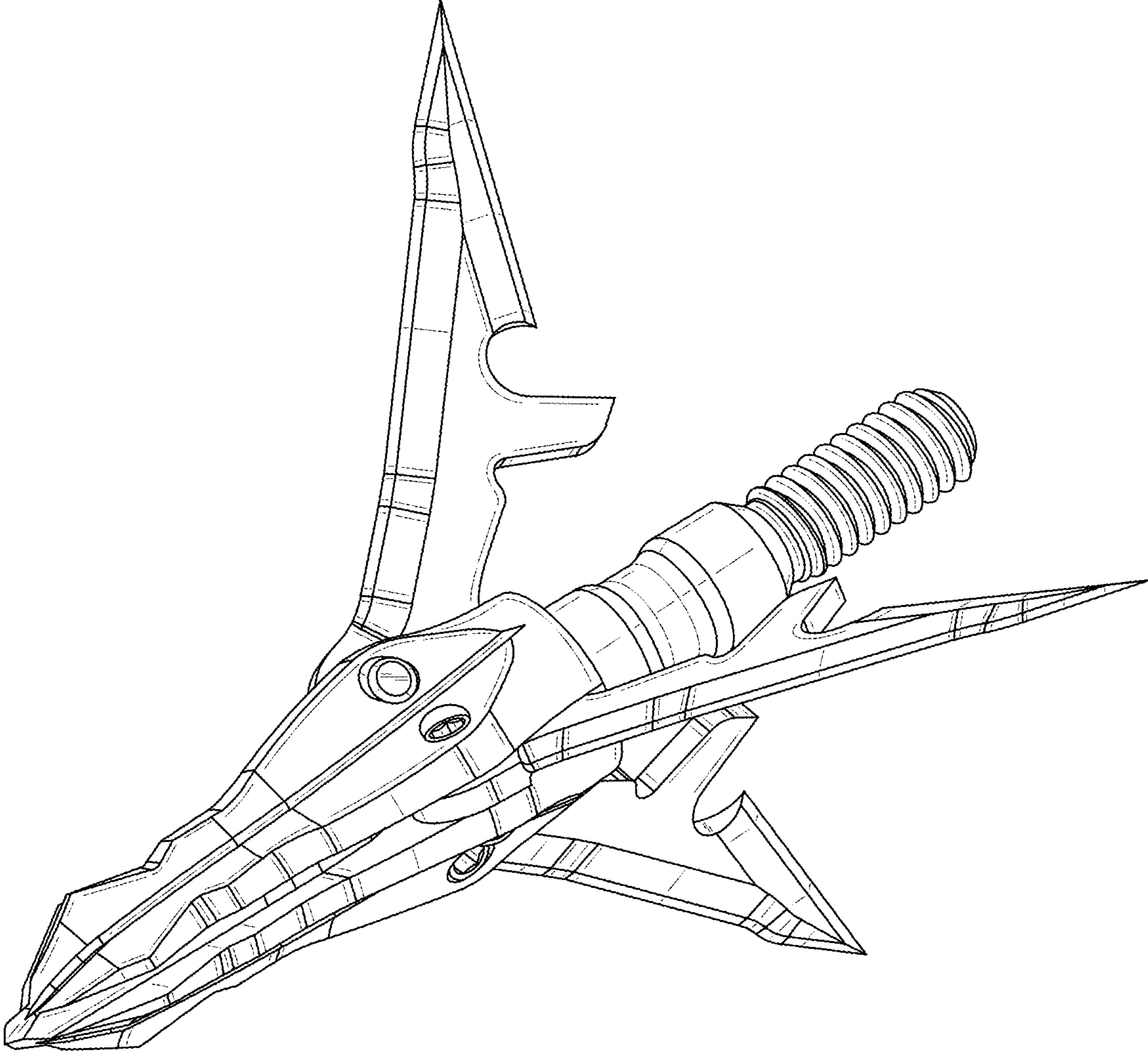


FIG. 1

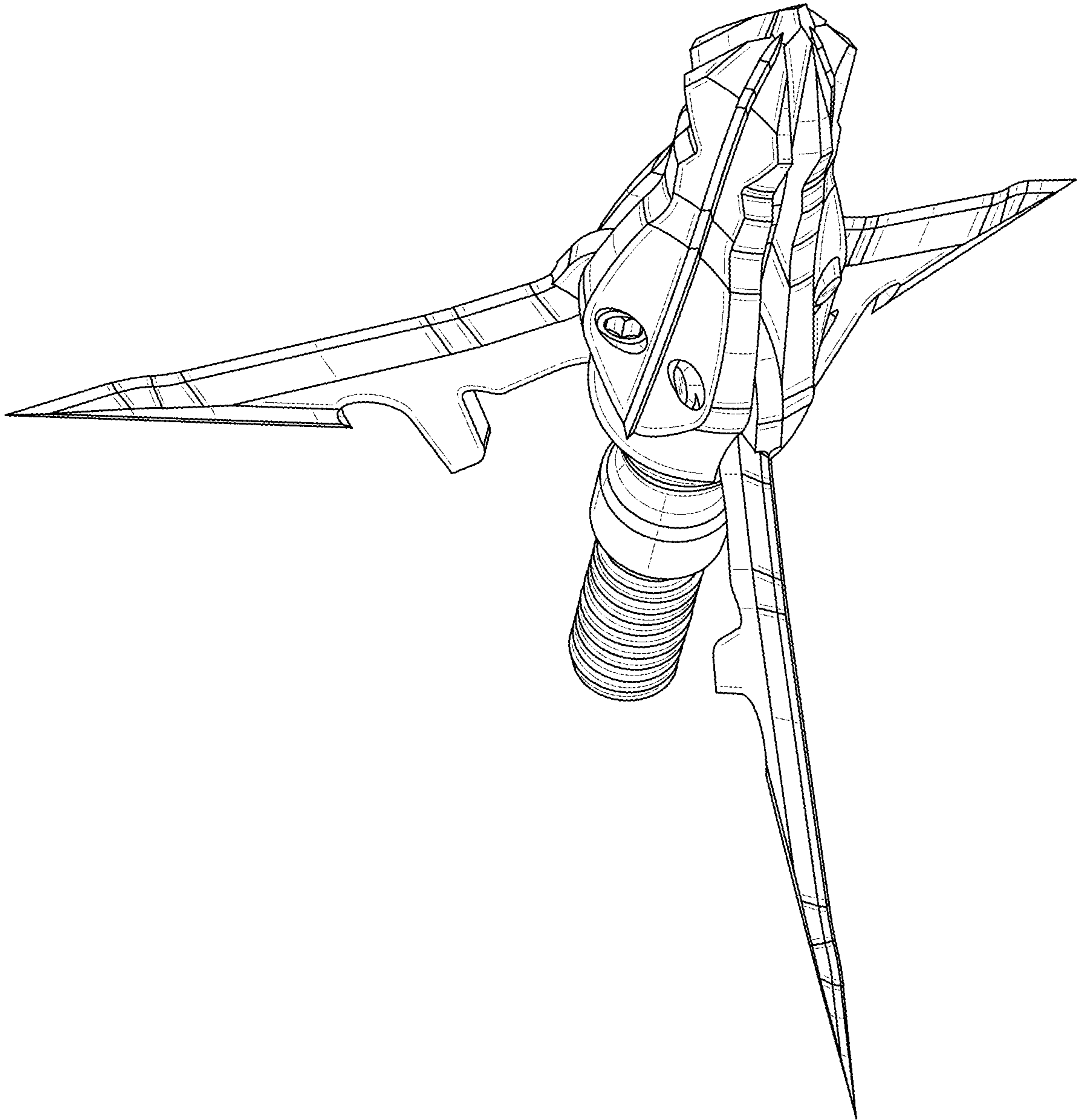


FIG. 2



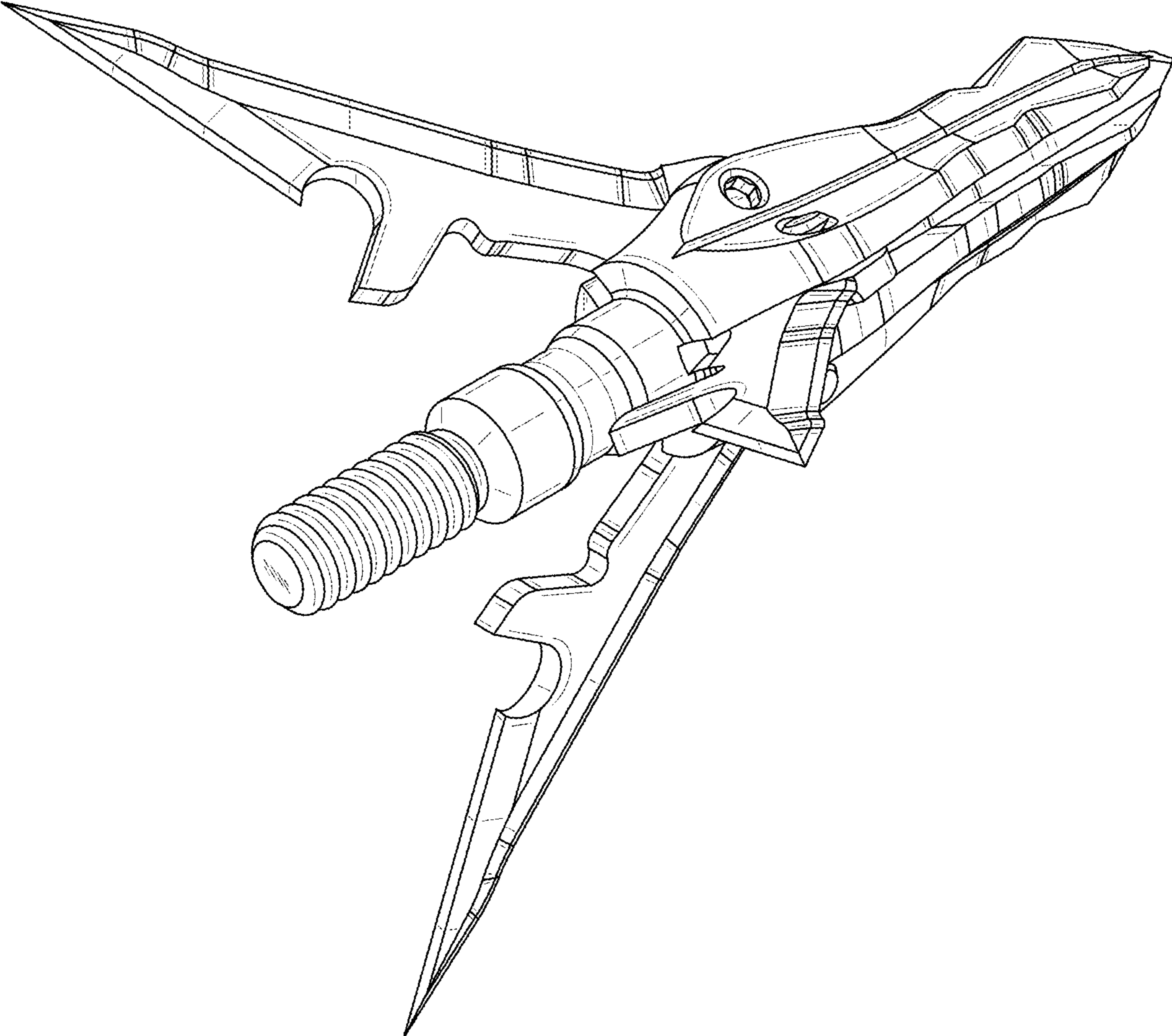


FIG. 3

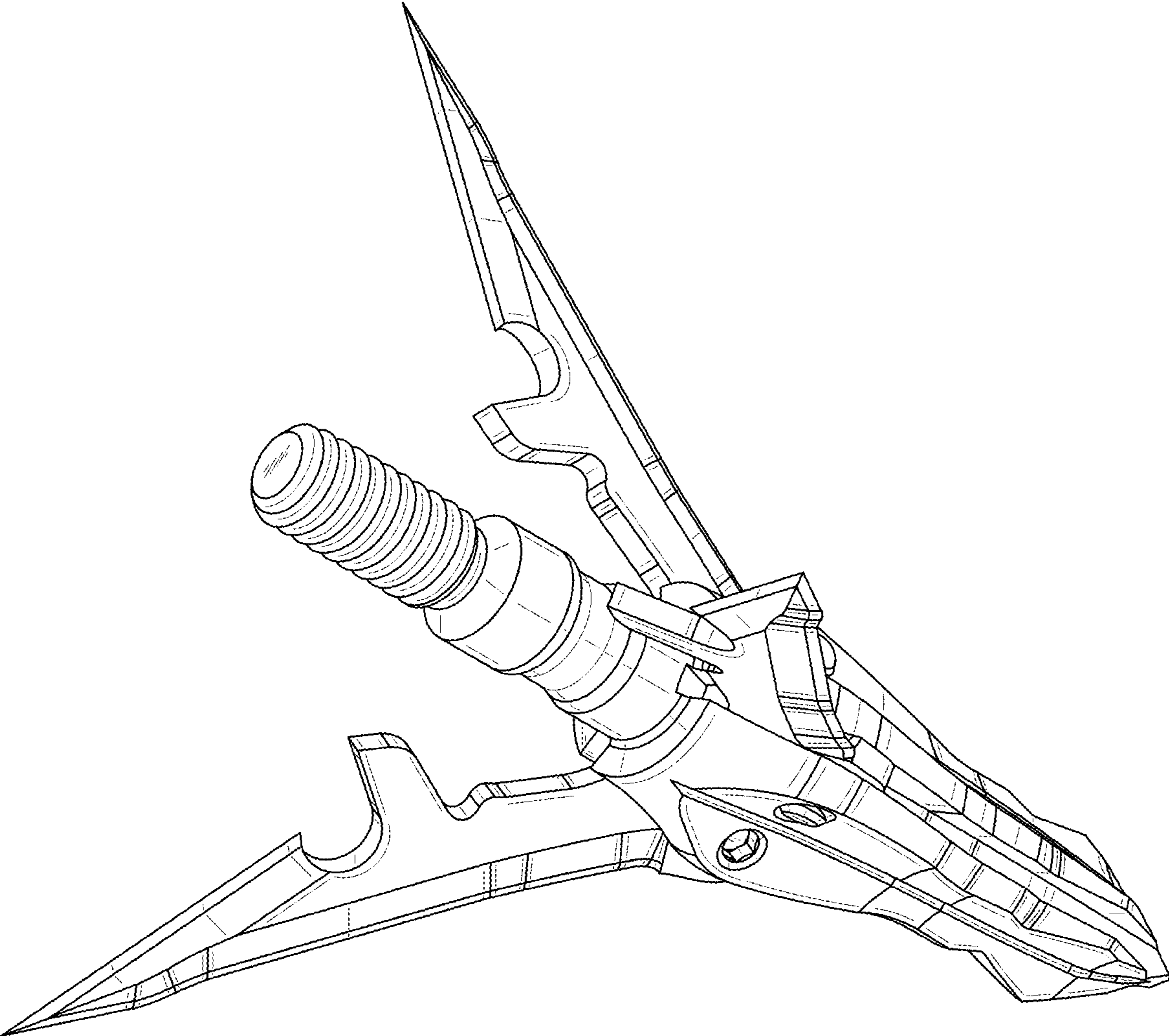


FIG. 4

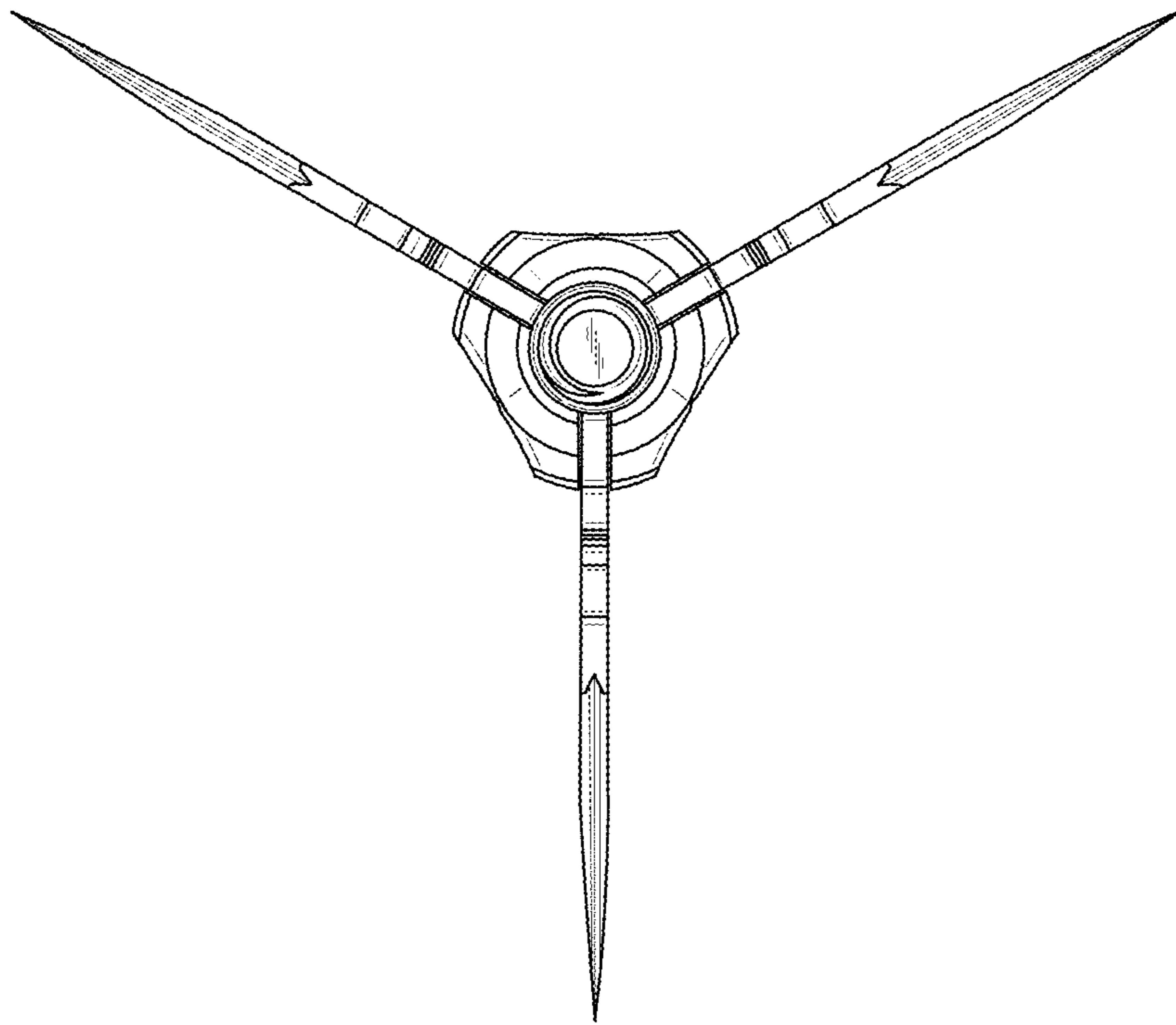


FIG. 5

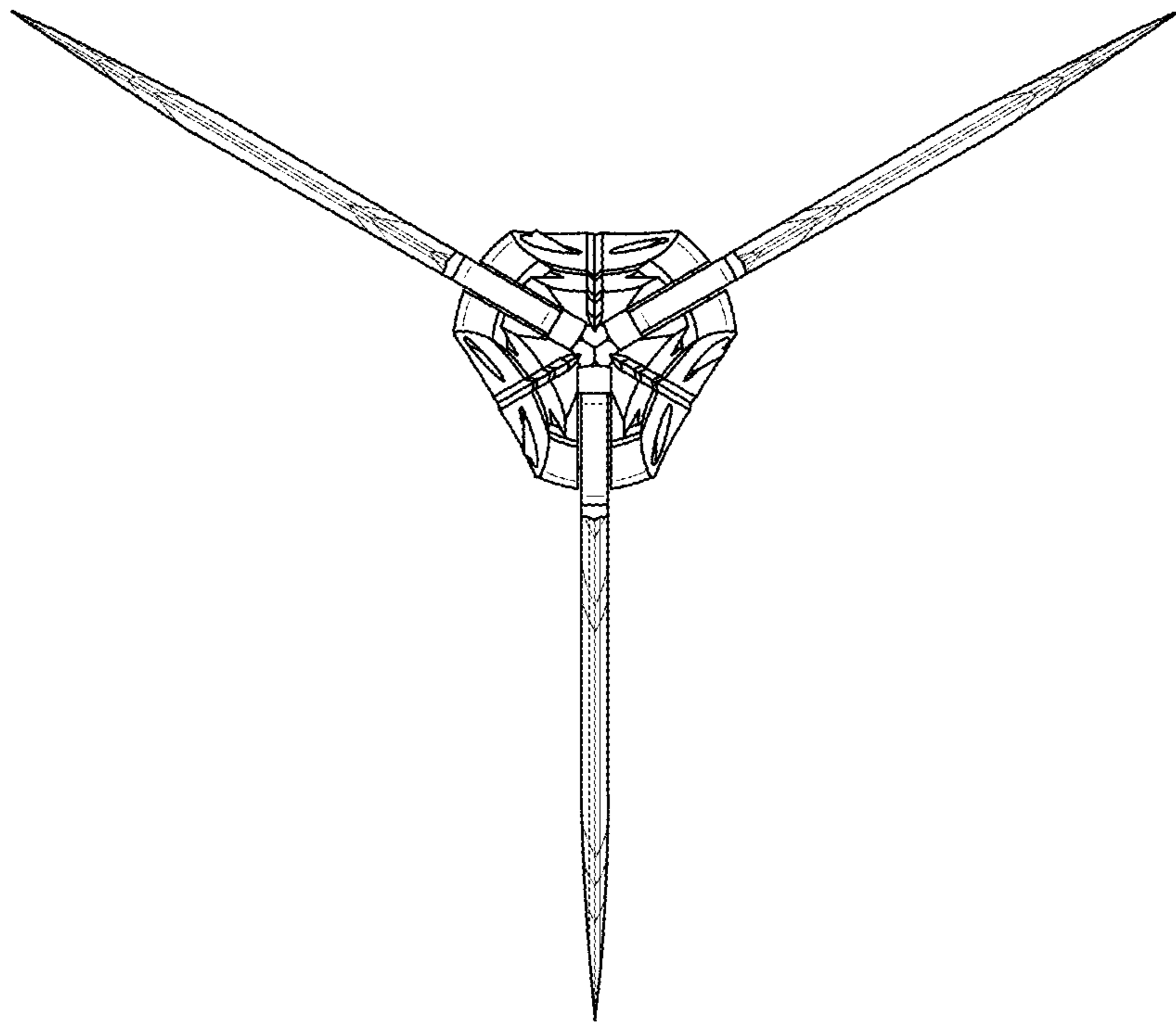


FIG. 6



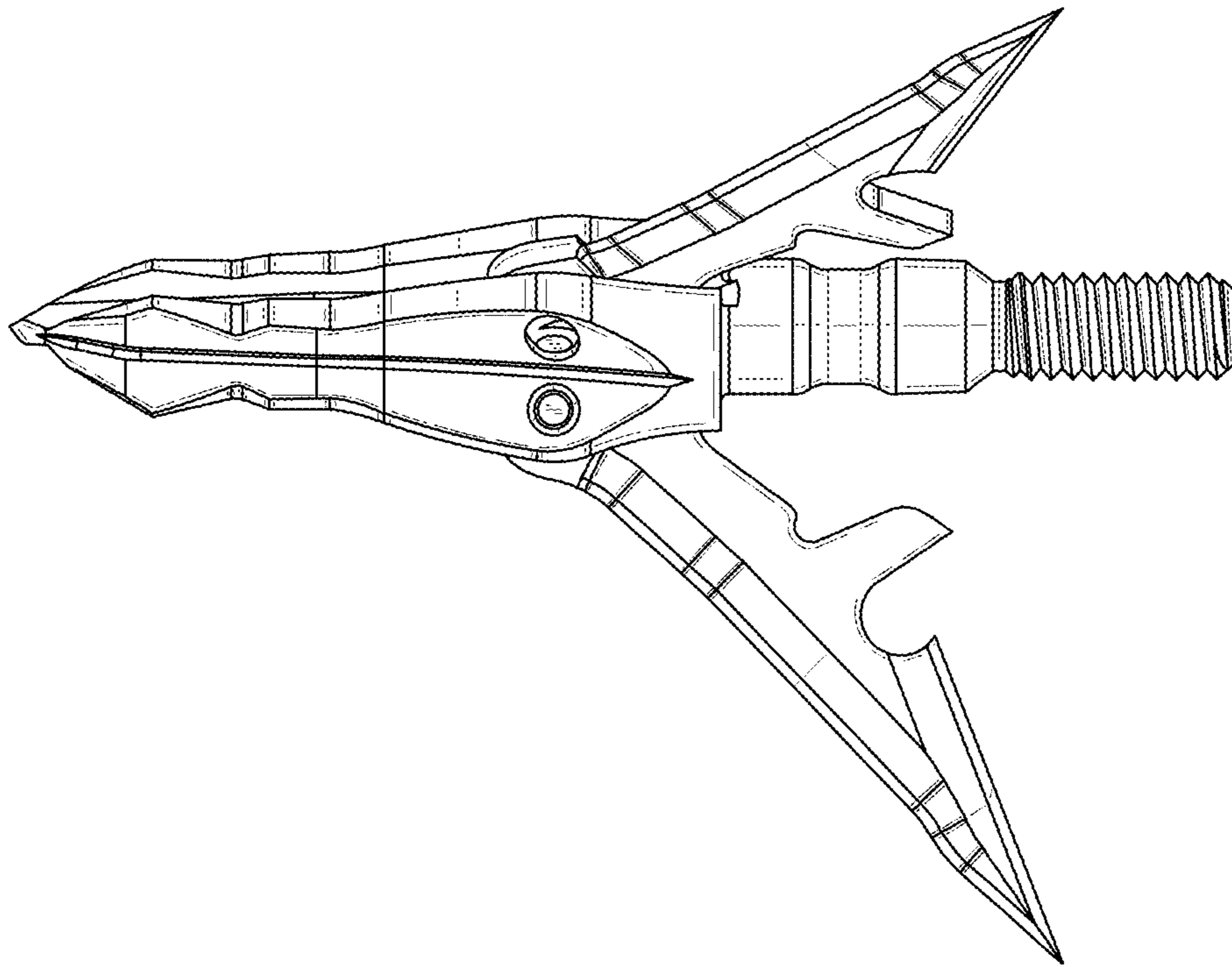


FIG. 7

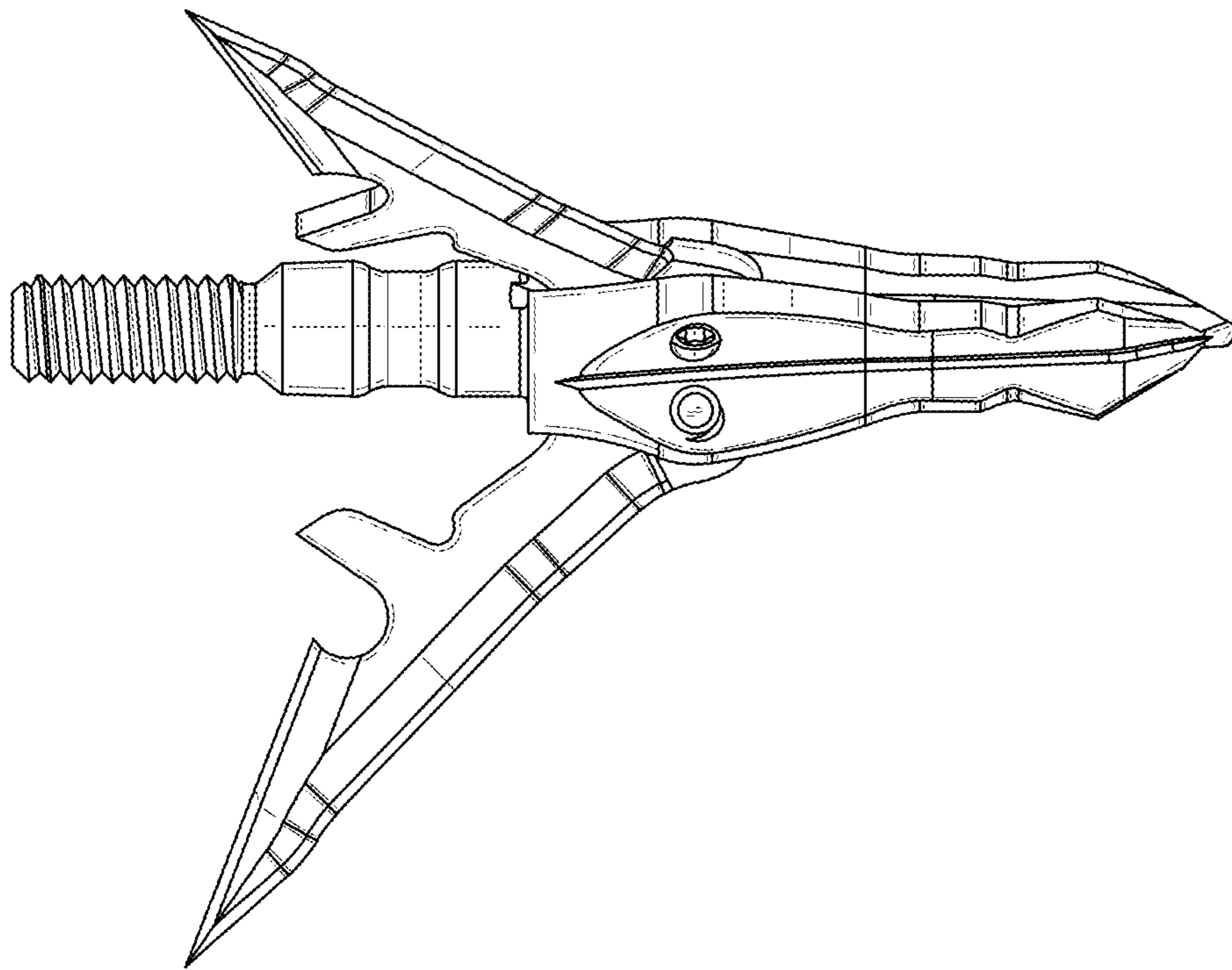


FIG. 8

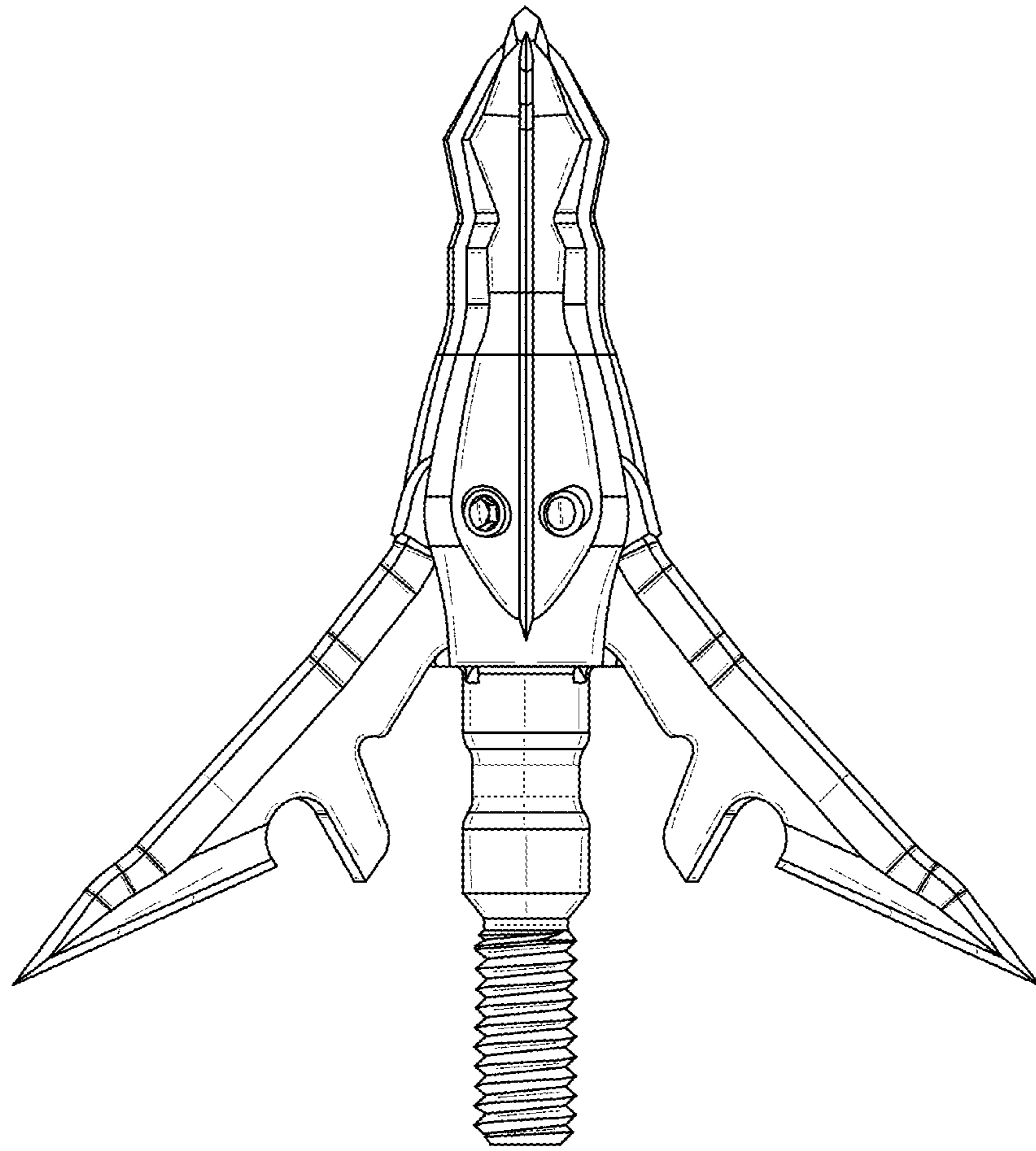


FIG. 9

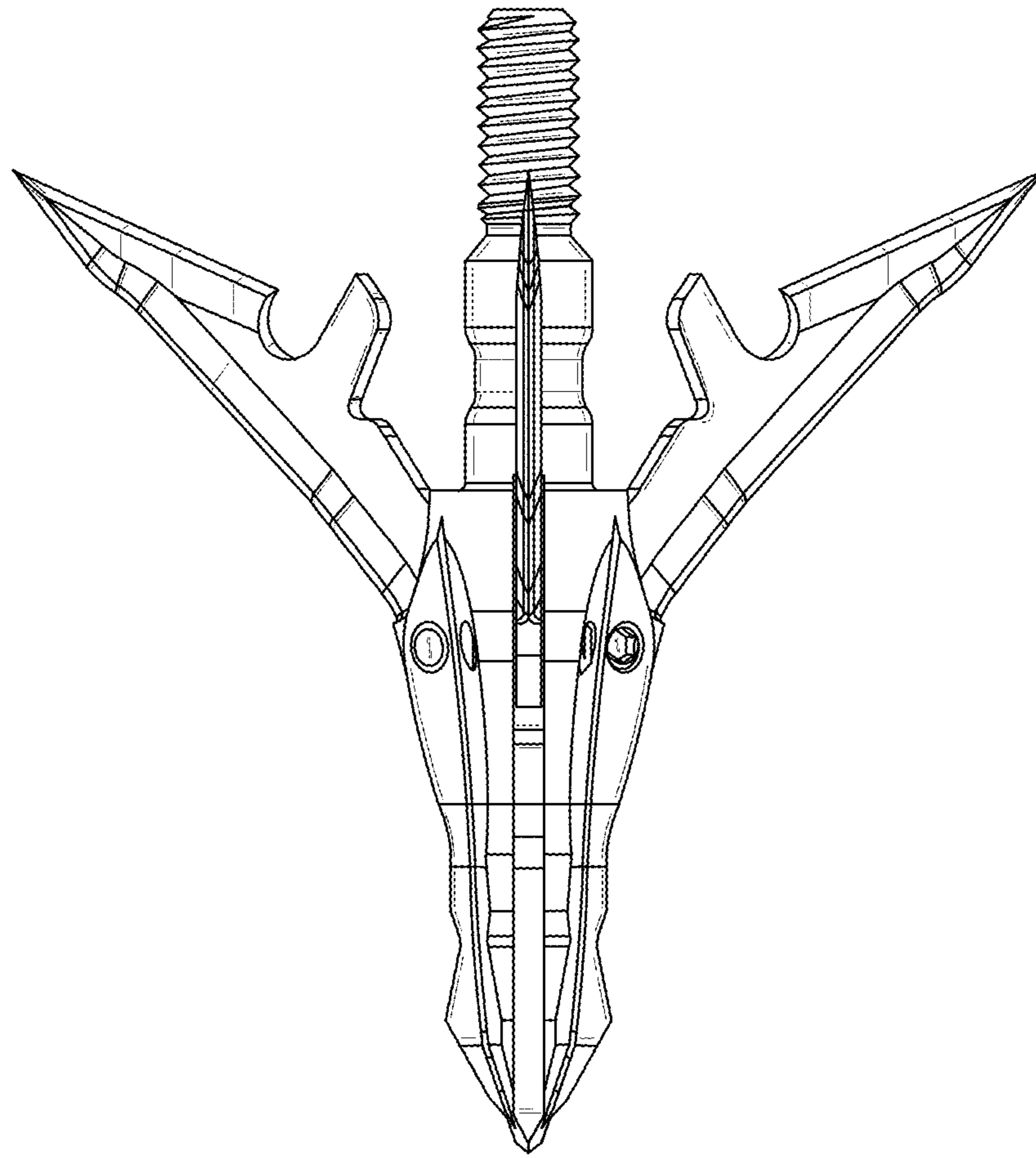


FIG. 10

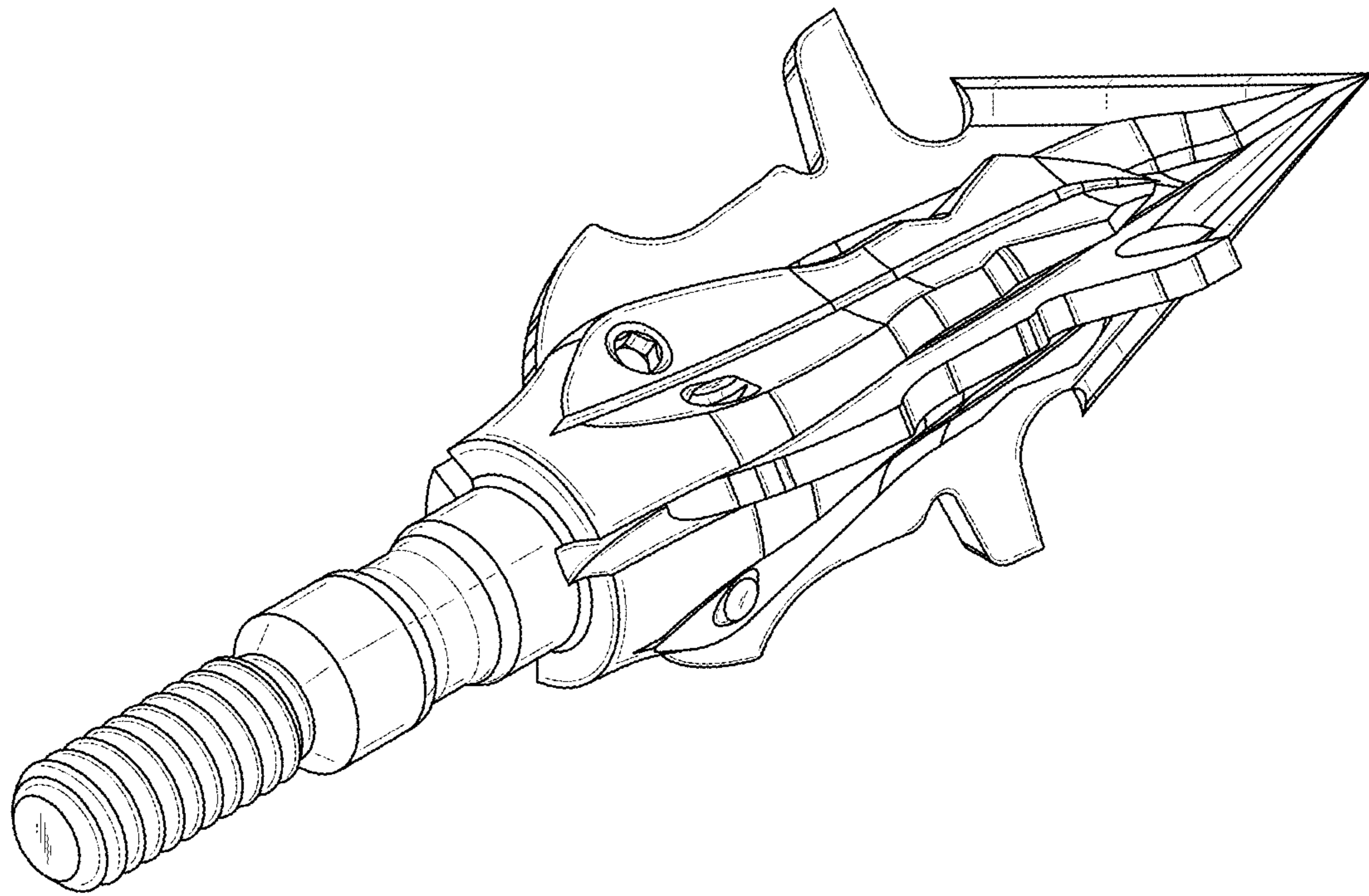


FIG. 11



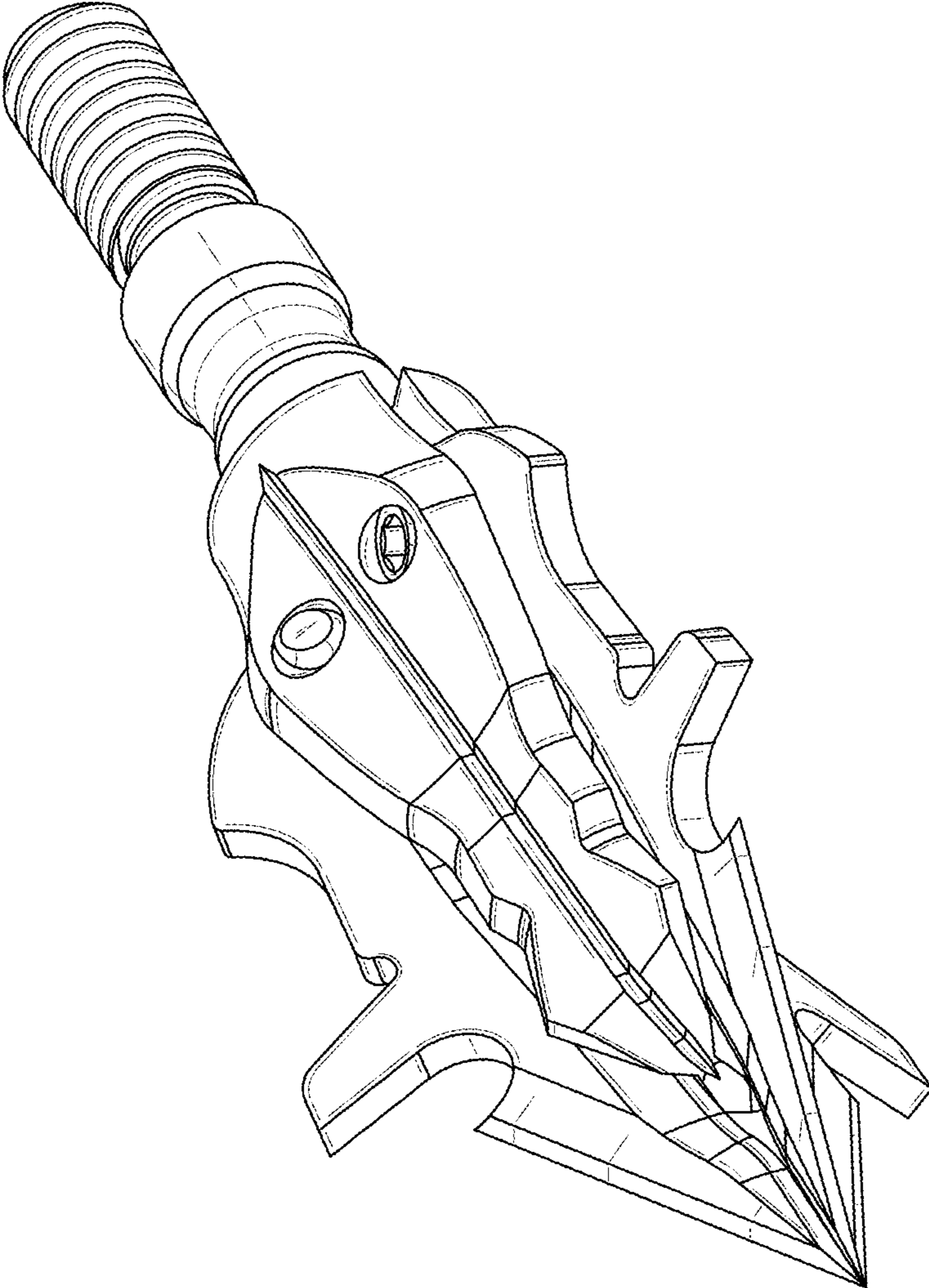


FIG. 12

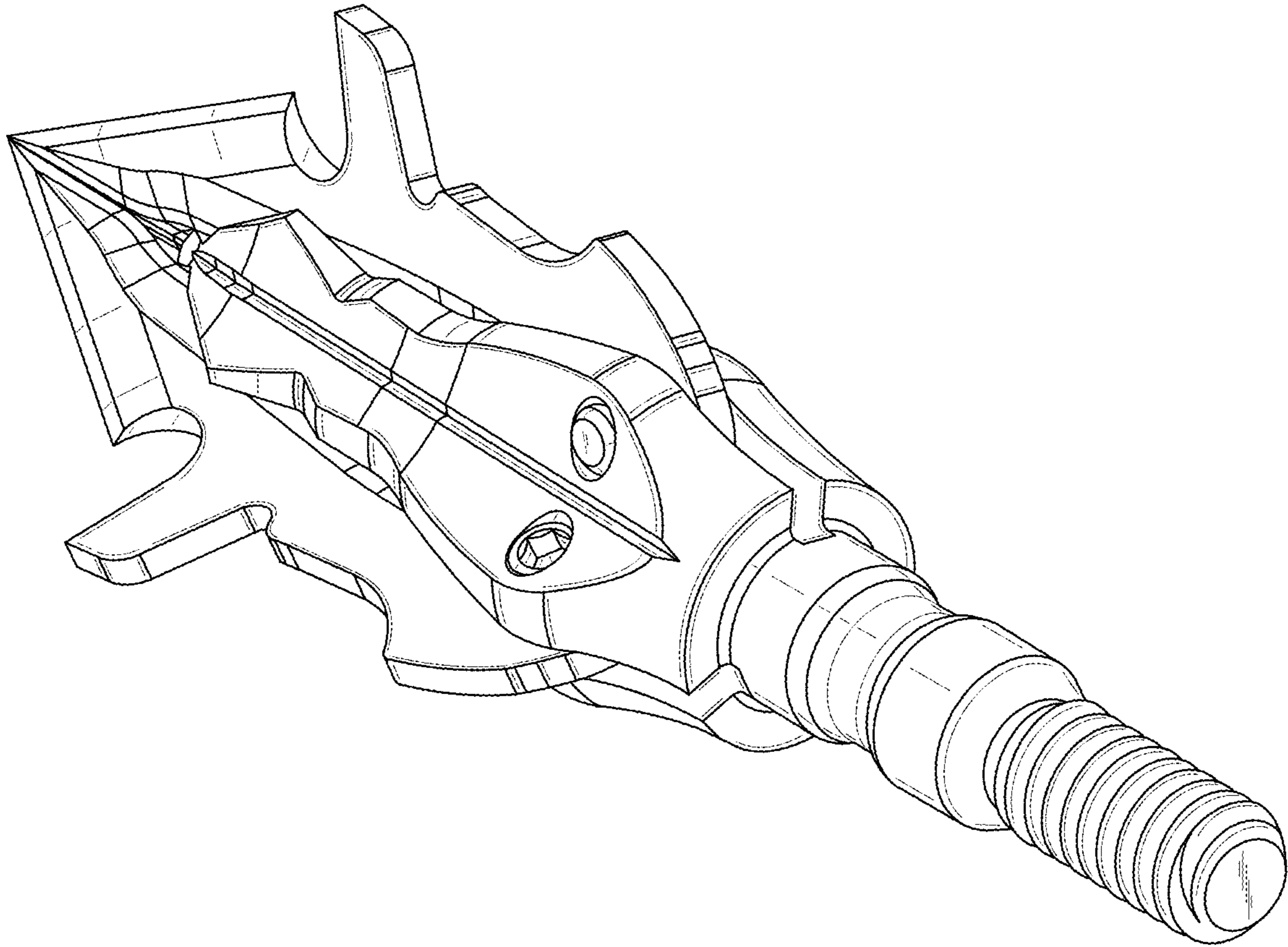


FIG. 13

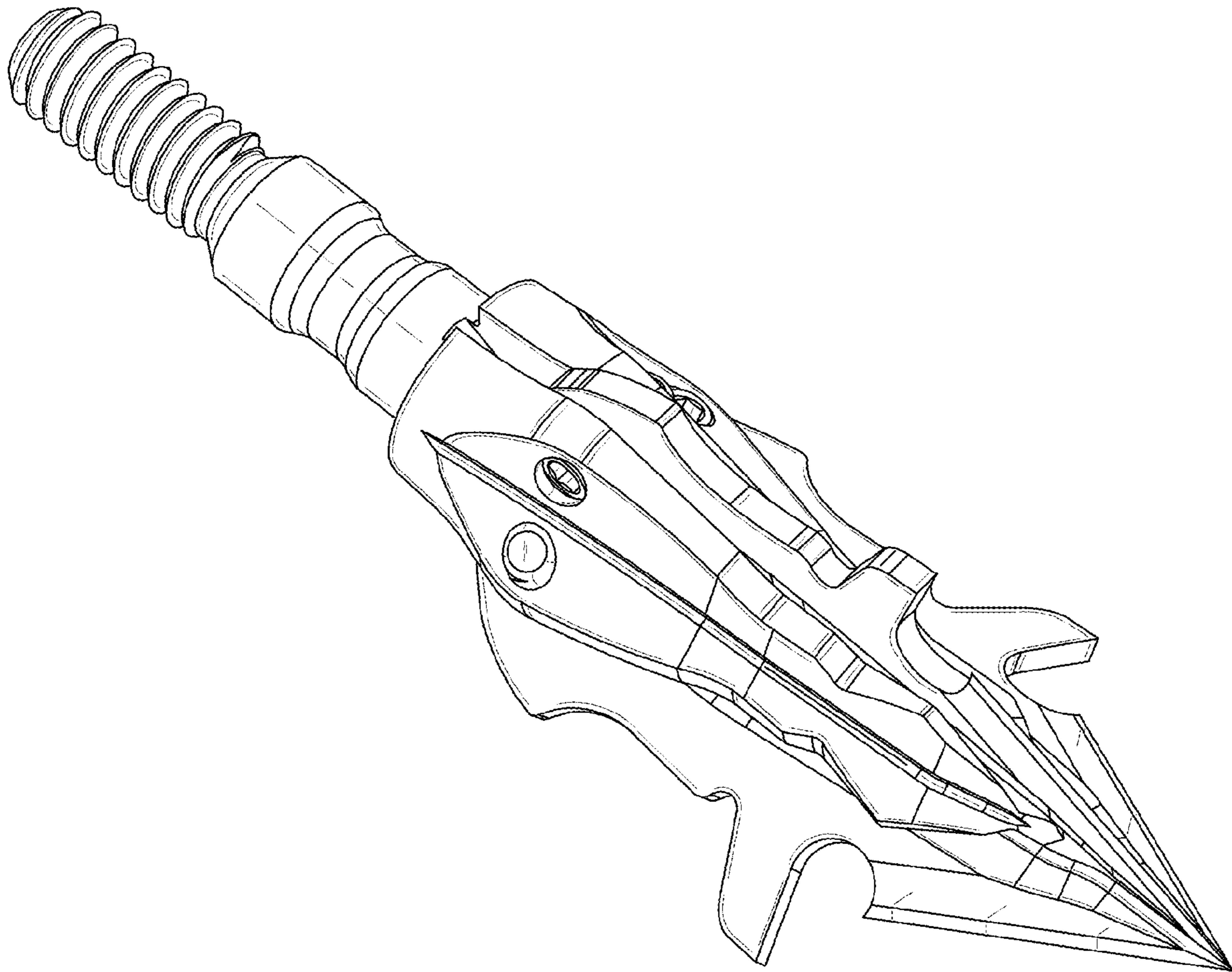


FIG. 14

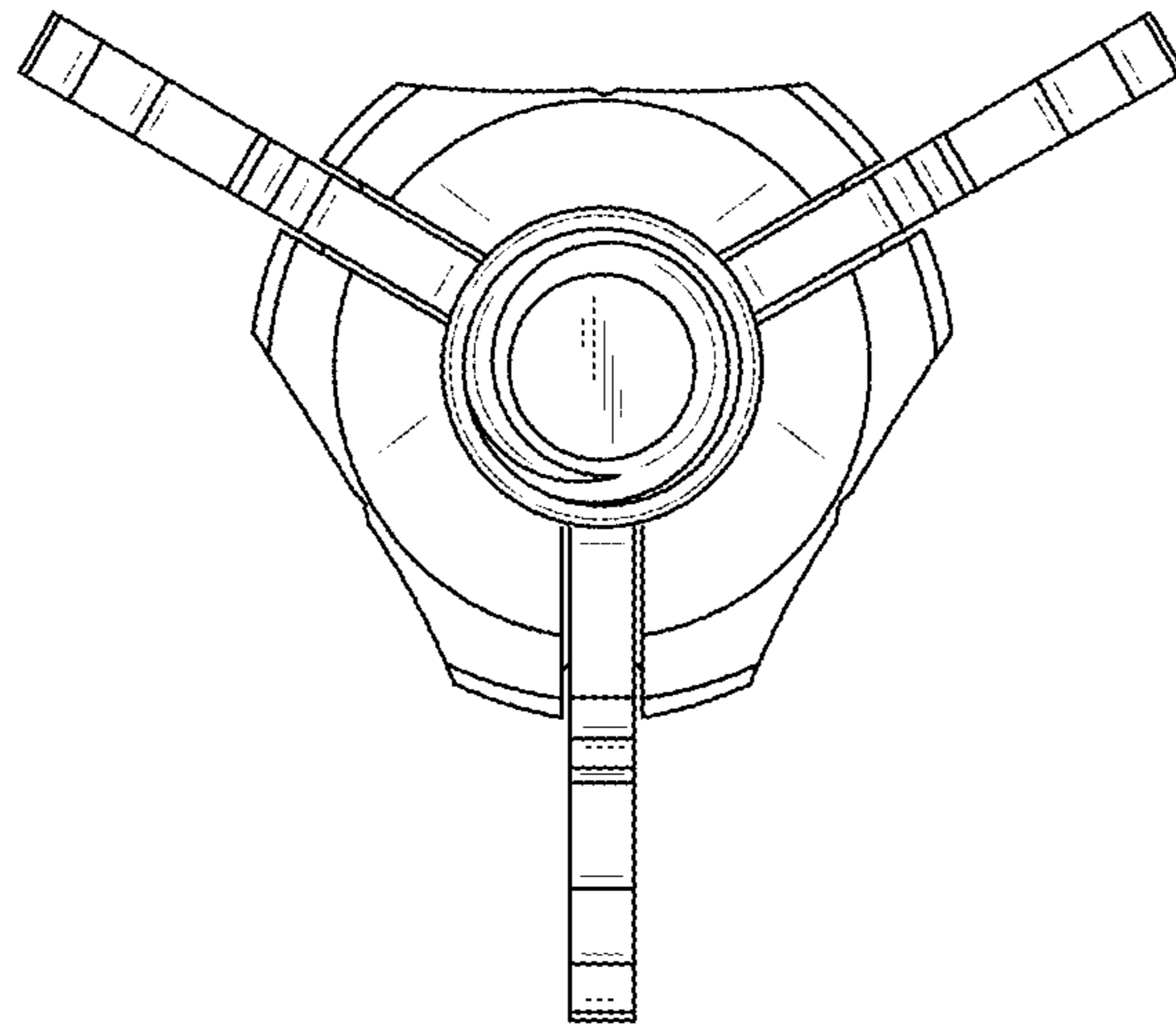


FIG. 15

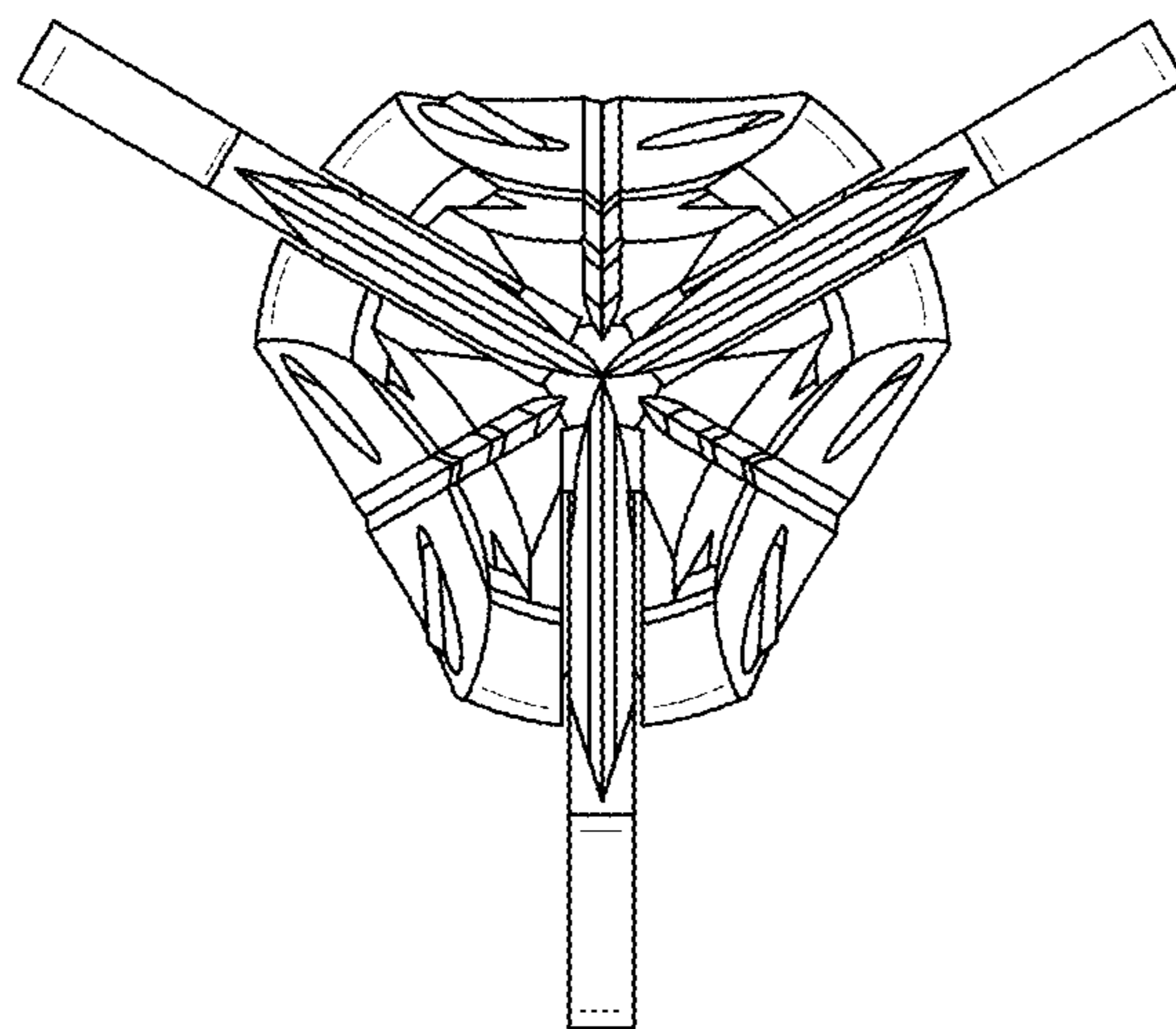


FIG. 16

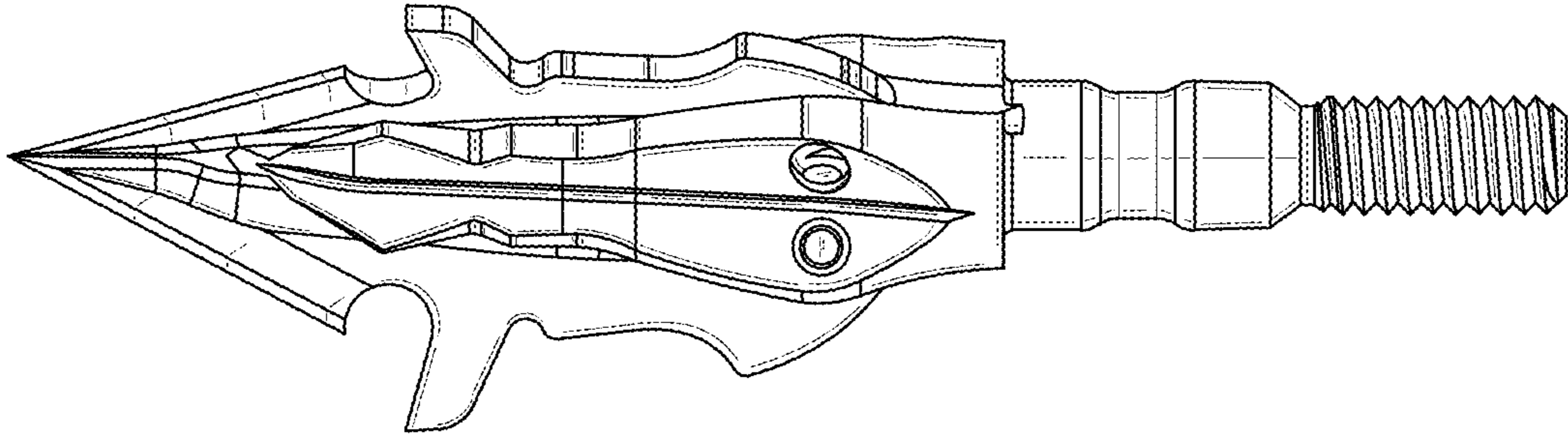


FIG. 17

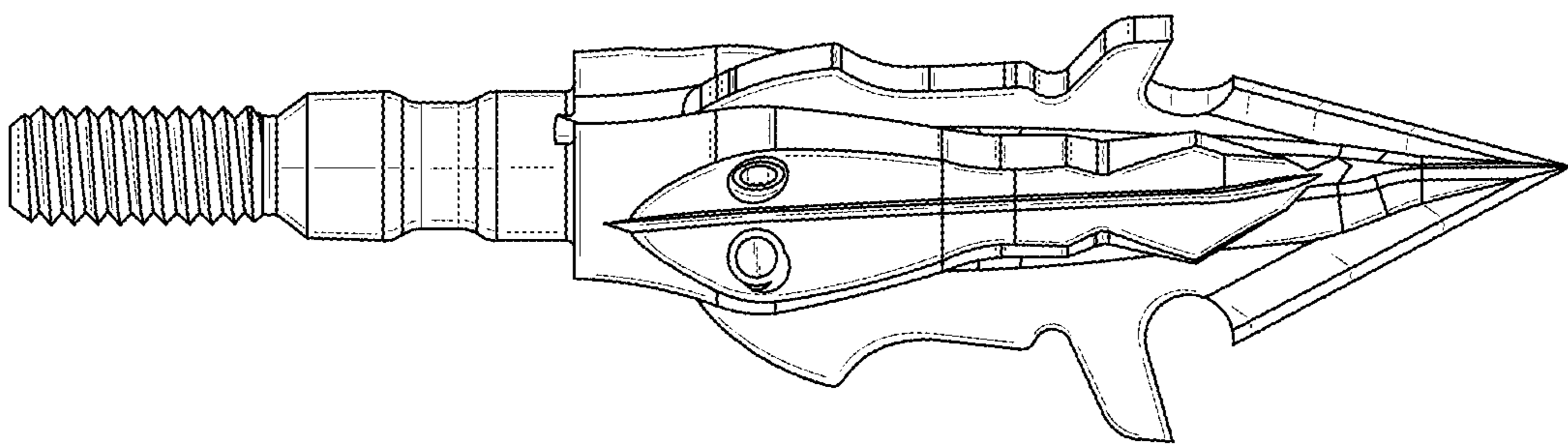


FIG. 18



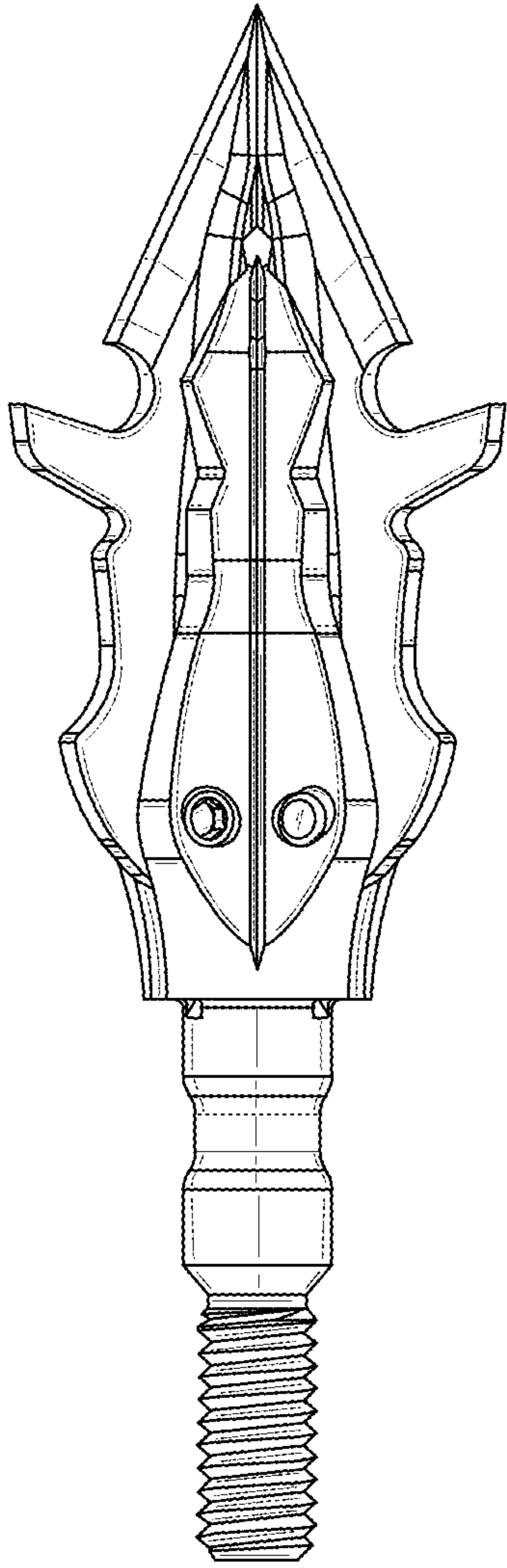


FIG. 19

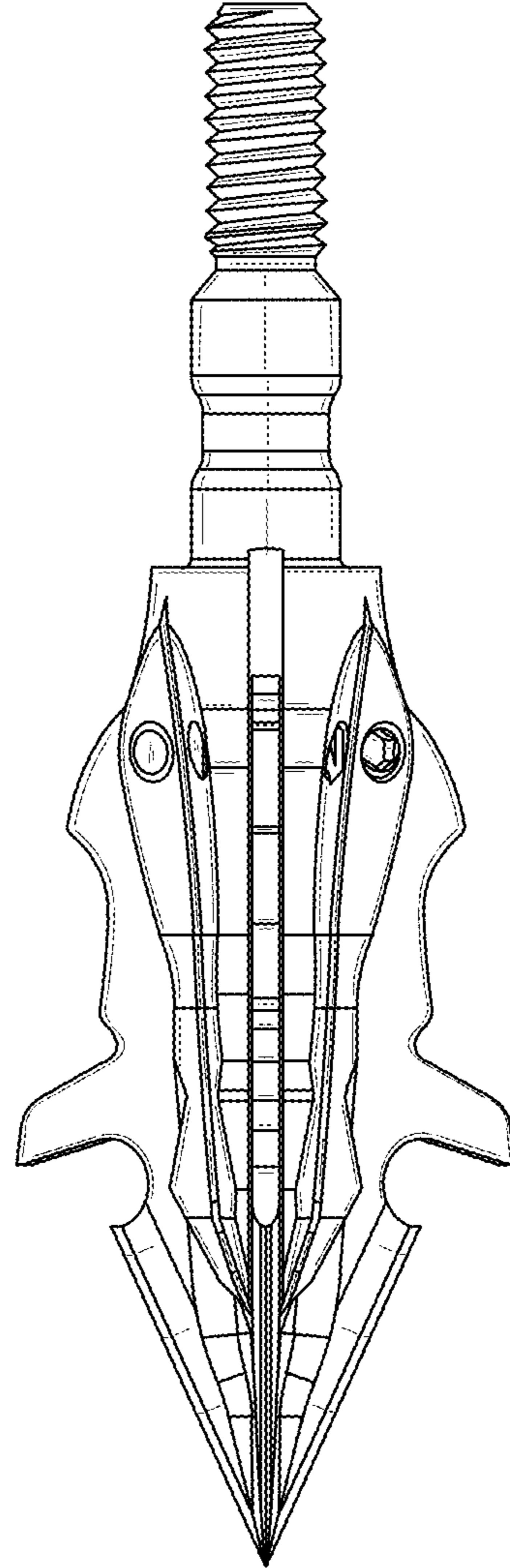


FIG. 20