



US00D894310S

(12) **United States Design Patent**  
**Spine**

(10) **Patent No.:** **US D894,310 S**

(45) **Date of Patent:** **\*\* Aug. 25, 2020**

(54) **PISTOL**  
(71) Applicant: **HS PRODUKT d.o.o.**, Karlovac (HR)  
(72) Inventor: **Marijo Spine**, Karlovac (HR)  
(\*\*) Term: **15 Years**

D823,969 S \* 7/2018 Beville ..... D22/104  
D849,174 S \* 5/2019 Beville ..... D22/104  
D854,642 S \* 7/2019 Shinkle ..... D22/104  
D857,142 S \* 8/2019 Beville ..... D22/104  
2005/0188585 A1\* 9/2005 Vicate ..... F41C 23/18  
42/71.01  
2017/0205189 A1\* 7/2017 Rogers ..... F41C 23/12  
2018/0363998 A1\* 12/2018 Collins ..... F41C 23/16

(21) Appl. No.: **35/506,775**

(22) Filed: **Feb. 13, 2019**

(80) **Hague Agreement Data**

Int. Filing Date: **Feb. 13, 2019**  
Int. Reg. No.: **DM/201033**  
Int. Reg. Date: **Feb. 13, 2019**  
Int. Reg. Pub. Date: **May 24, 2019**

(51) **LOC (12) Cl.** ..... **22-01**

(52) **U.S. Cl.**  
USPC ..... **D22/104**

(58) **Field of Classification Search**  
USPC ..... D22/104, 109, 100, 101, 102, 103, 106,  
D22/107, 108, 110, 111, 112; D21/567,  
D21/570, 572, 573, 574  
CPC .. F41A 17/74; F41A 17/00; F41C 3/14; F41C  
3/16; F41C 3/04; F41C 3/00; F41C 3/02;  
F41C 3/06  
See application file for complete search history.

(56) **References Cited**

**U.S. PATENT DOCUMENTS**

D516,661 S \* 3/2006 McGarry ..... D22/104  
D808,487 S \* 1/2018 Beville ..... D22/104

**OTHER PUBLICATIONS**

[Online] "HS H11 cal 9x19" [https://hs-produkt.hr/wp-content/uploads/2020/03/H11\\_IZO-\\_150dpi.png](https://hs-produkt.hr/wp-content/uploads/2020/03/H11_IZO-_150dpi.png). Retrieved Apr. 27, 2020.\*

\* cited by examiner

*Primary Examiner* — Melanie Pellegrini

(57) **CLAIM**

The ornamental design for pistol, as shown and described.

**DESCRIPTION**

- 1. Pistol
- 1.1: left side
- 1.2: right side
- 1.3: front
- 1.4: rear
- 1.5: top
- 1.6: bottom
- 1.7: front right perspective
- 1.8: rear right perspective
- 1.9: left rear perspective
- 1.10: left top front perspective
- 1.11: left bottom perspective

**1 Claim, 11 Drawing Sheets**



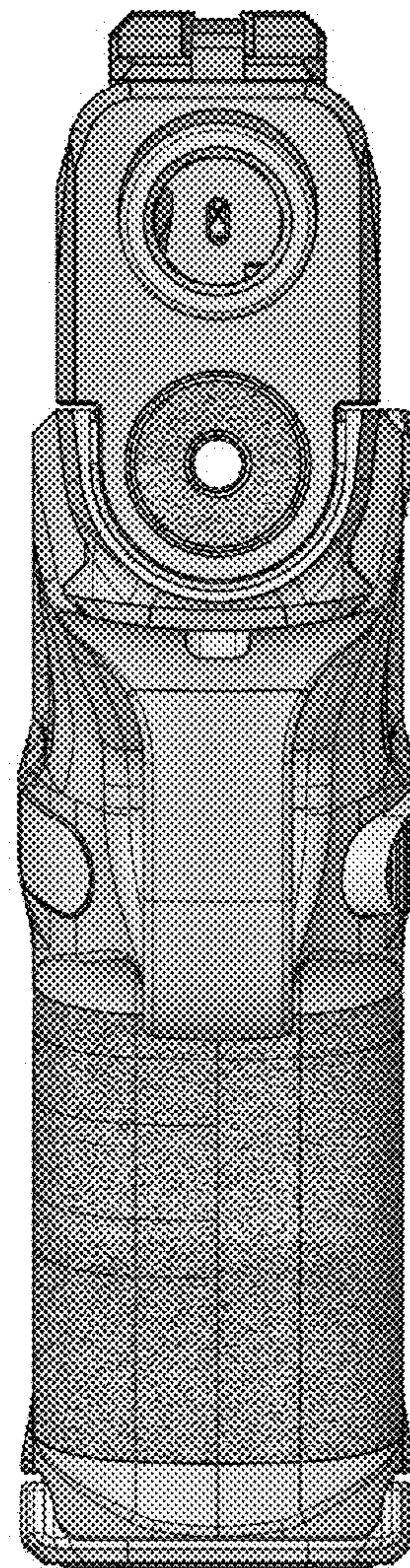
1.1



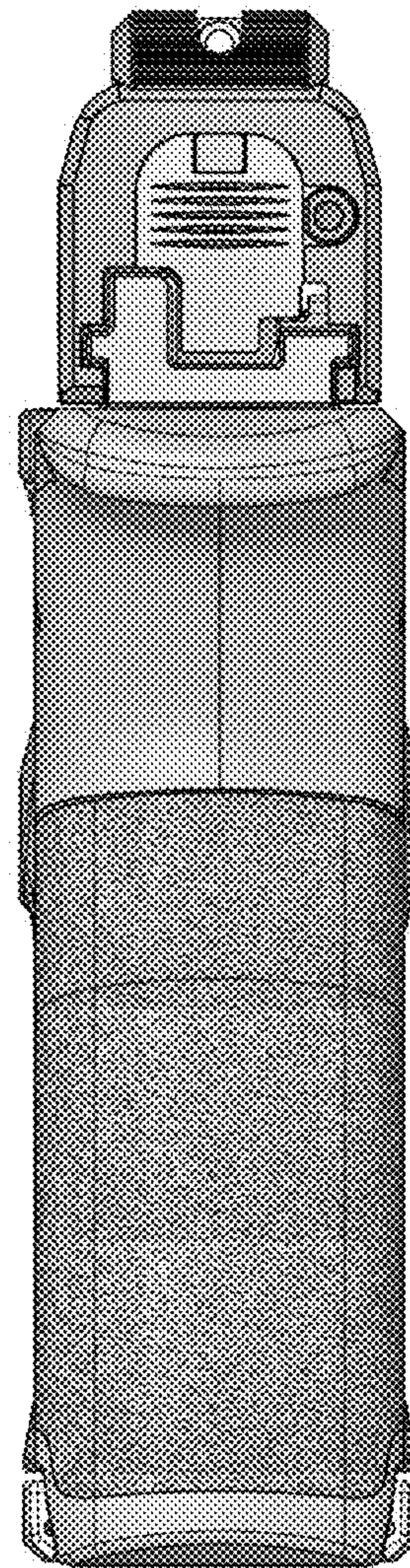
1.2



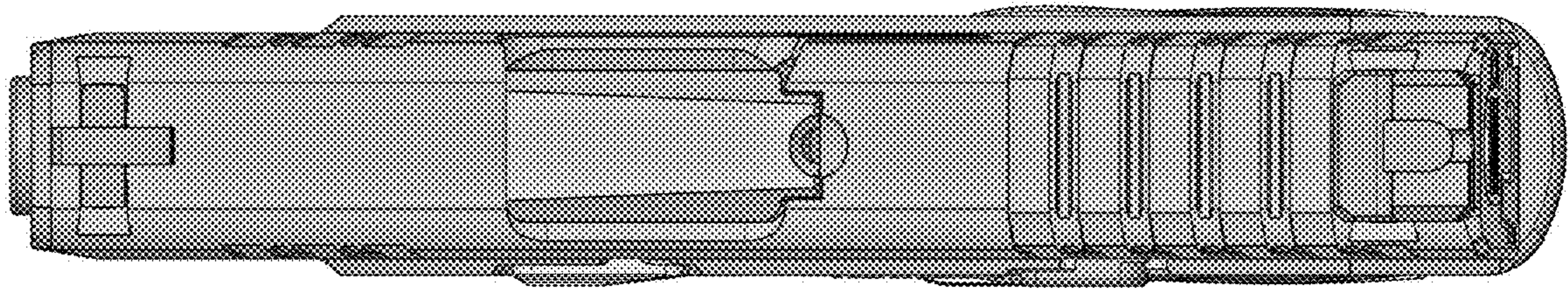
1.3



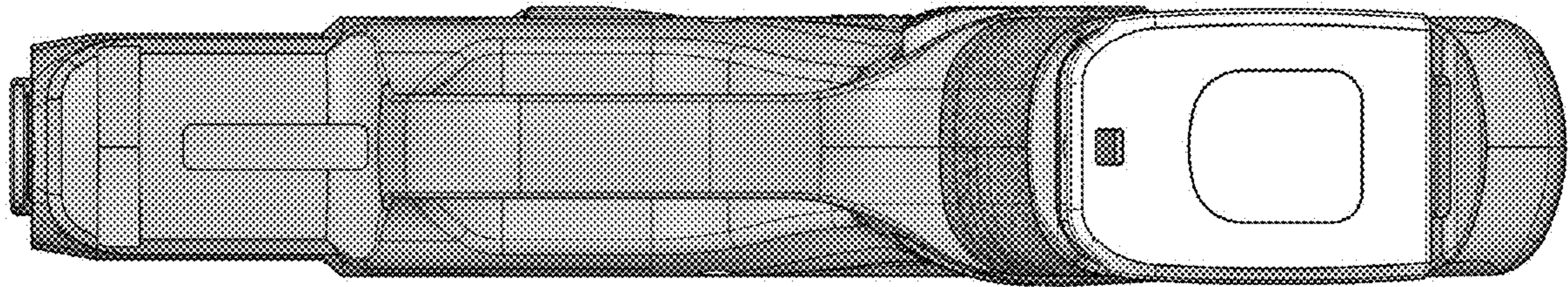
1.4



1.5



1.6



1.7





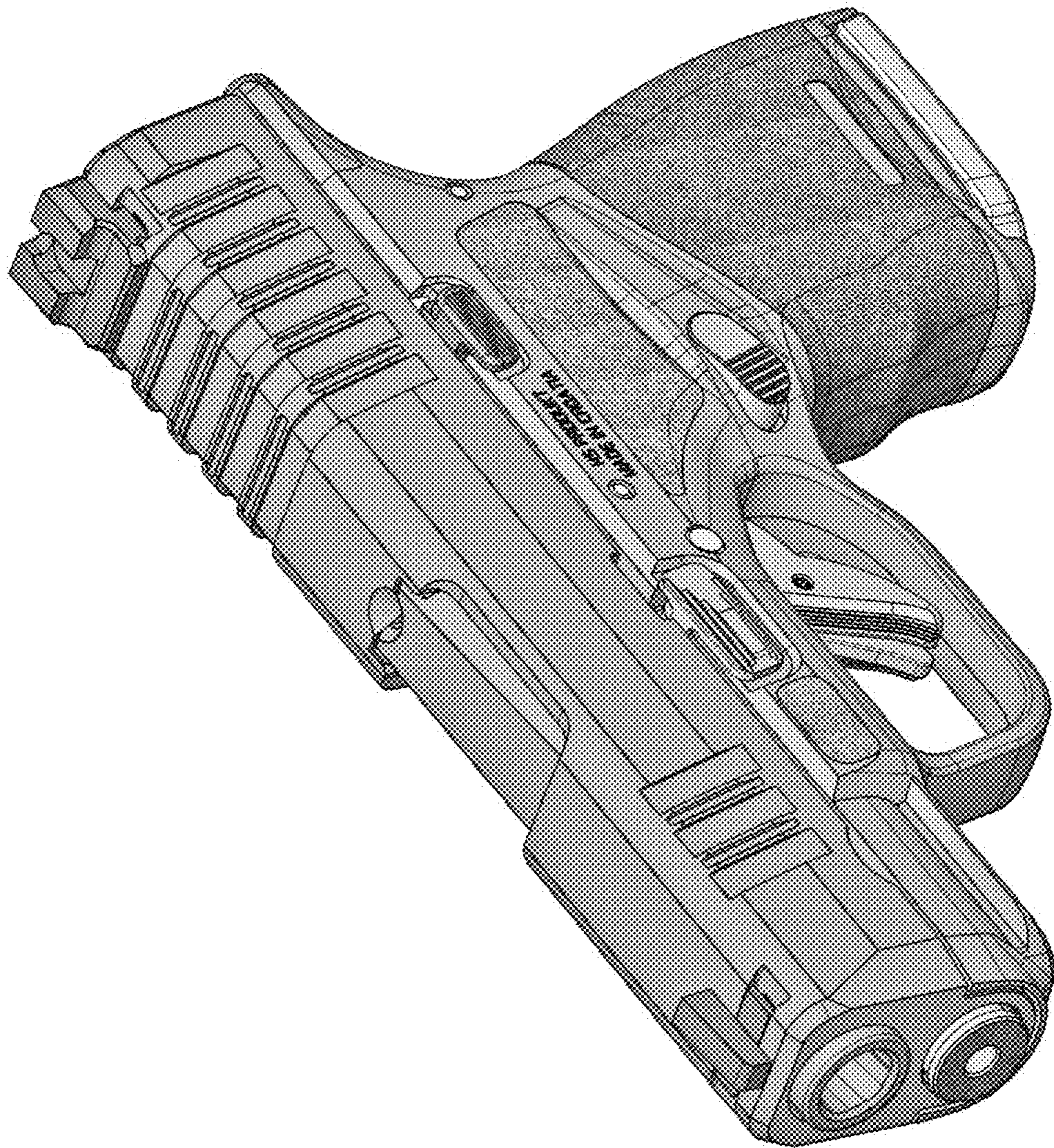
1.8



1.9



1.10



1.11

