



US00D894309S

(12) **United States Design Patent** (10) **Patent No.:** **US D894,309 S**
Nelson (45) **Date of Patent:** **** Aug. 25, 2020**

(54) **TENT LEG WEIGHTING SUPPORT APPARATUS**

(71) Applicant: **Steve Nelson**, Woodland Hills, CA (US)

(72) Inventor: **Steve Nelson**, Woodland Hills, CA (US)

(**) Term: **15 Years**

(21) Appl. No.: **29/603,821**

(22) Filed: **May 12, 2017**

(51) **LOC (12) Cl.** **21-04**

(52) **U.S. Cl.**
USPC **D21/839**; D8/354

(58) **Field of Classification Search**
USPC D21/839, 840; D8/354, 366
CPC E04H 15/32; E04H 15/60; E04H 15/62
See application file for complete search history.

(56) **References Cited**

U.S. PATENT DOCUMENTS

D140,446 S *	2/1945	Pavese	D8/366
D168,074 S *	10/1952	Symington	D8/354
D263,730 S *	4/1982	Oribin	D21/839
4,543,972 A *	10/1985	Bennett	E04H 15/62
			135/118
4,782,846 A *	11/1988	Ting	E04H 15/62
			135/118
5,615,699 A *	4/1997	Lee	E04H 15/64
			135/118
5,954,077 A *	9/1999	Wain	E04H 15/64
			135/119

D443,672 S *	6/2001	Yager	D21/839
D594,313 S *	6/2009	Clarke	D8/354
D784,796 S *	4/2017	Kim	D8/356
D796,938 S *	9/2017	Rago	D8/354
2006/0090785 A1 *	5/2006	Ju	E04H 15/60
			135/114
2018/0195311 A1 *	7/2018	Prunotto	A45F 3/44
2019/0098862 A1 *	4/2019	Bolton	E04H 12/2246

* cited by examiner

Primary Examiner — Cynthia M. Chin

(74) *Attorney, Agent, or Firm* — Dallara Law; Ken Dallara

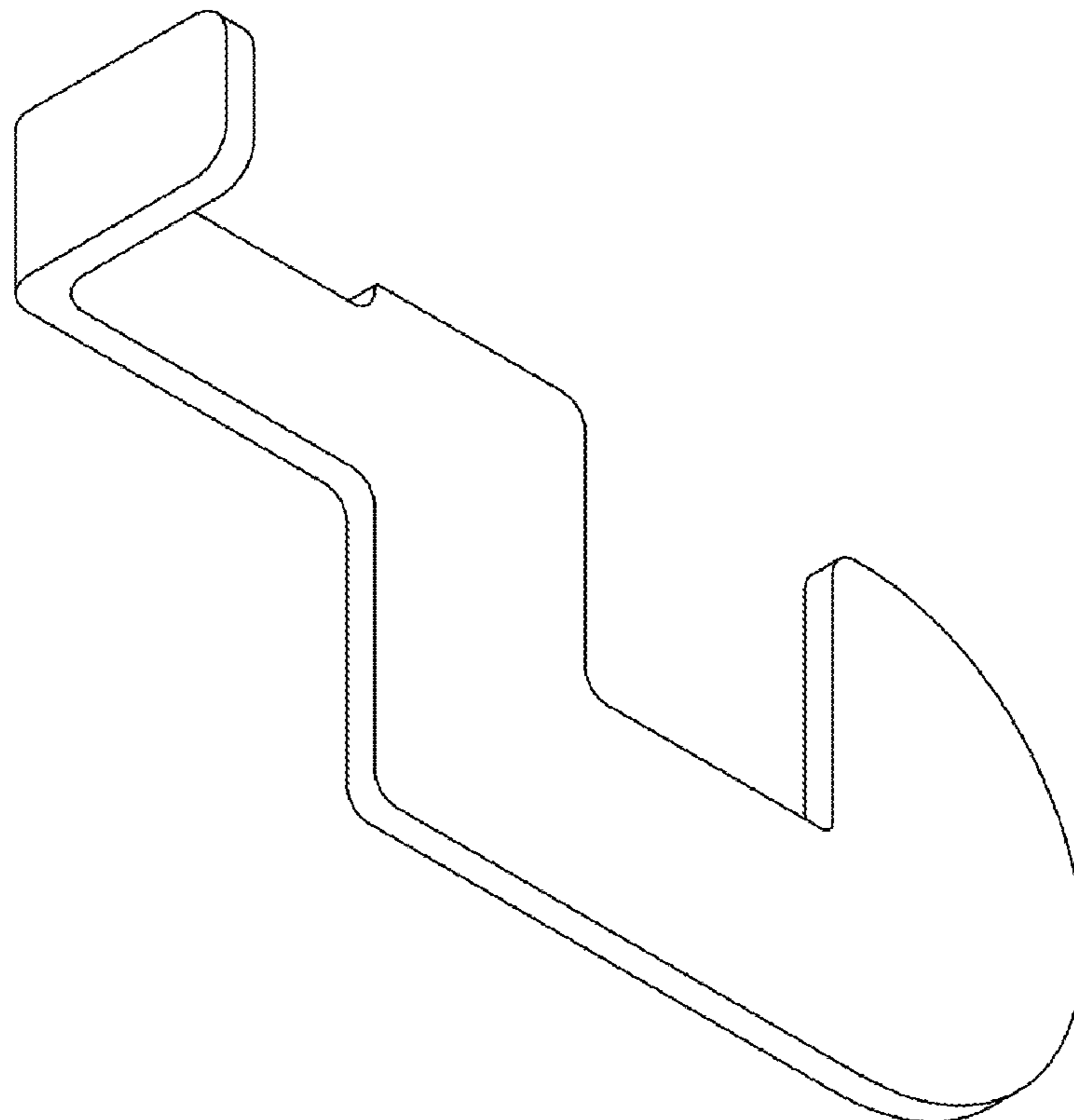
(57) **CLAIM**

The ornamental design for a tent leg weighting support apparatus, as shown and described.

DESCRIPTION

FIG. 1 is the top elevation view of the tent leg weighting support apparatus showing our new design;
 FIG. 2 is the top left side frontal oblique view thereof;
 FIG. 3 is the top left side rearward oblique view thereof;
 FIG. 4 is the bottom elevation view thereof;
 FIG. 5 is the bottom right side frontal oblique view thereof;
 FIG. 6 is the bottom right side rearward oblique view thereof;
 FIG. 7 is the right elevation view thereof;
 FIG. 8 is the left elevation view thereof;
 FIG. 9 is the rear elevation view thereof; and,
 FIG. 10 is the front elevation view thereof.

1 Claim, 3 Drawing Sheets



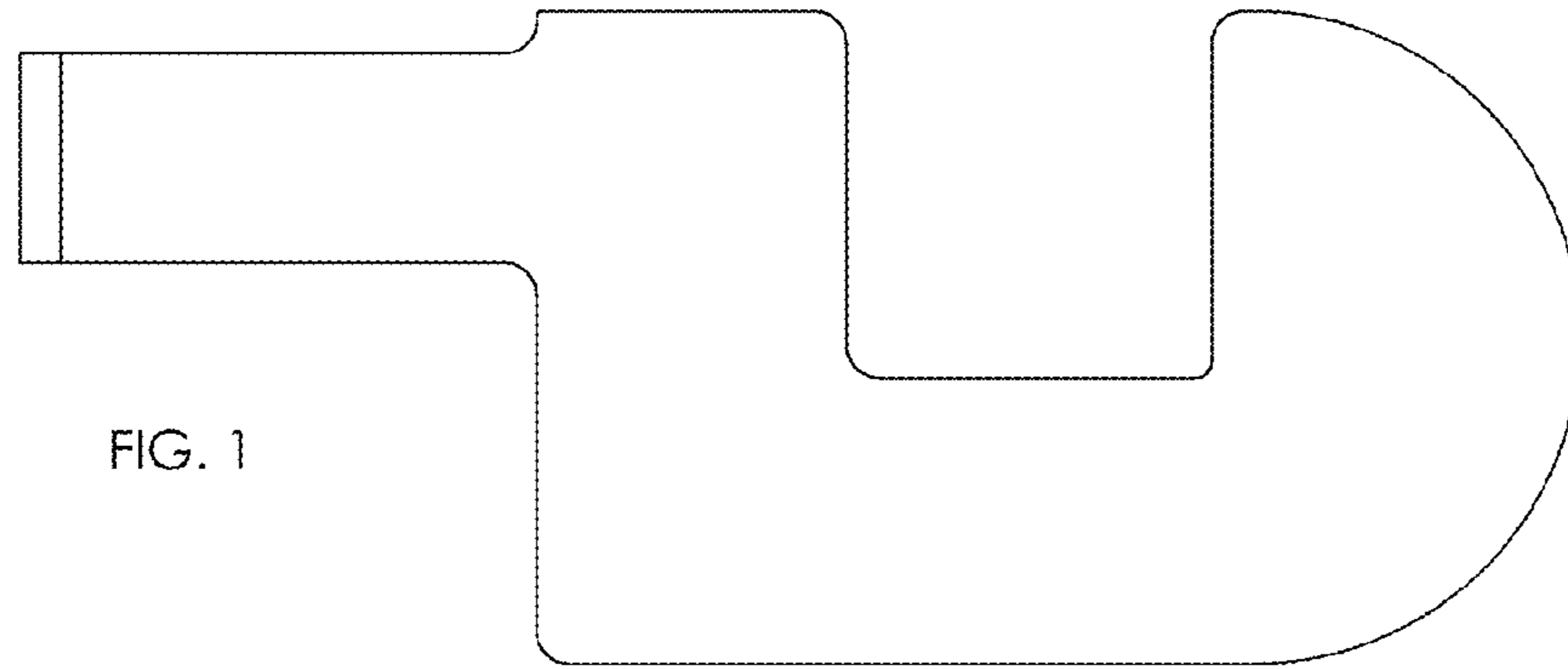


FIG. 1

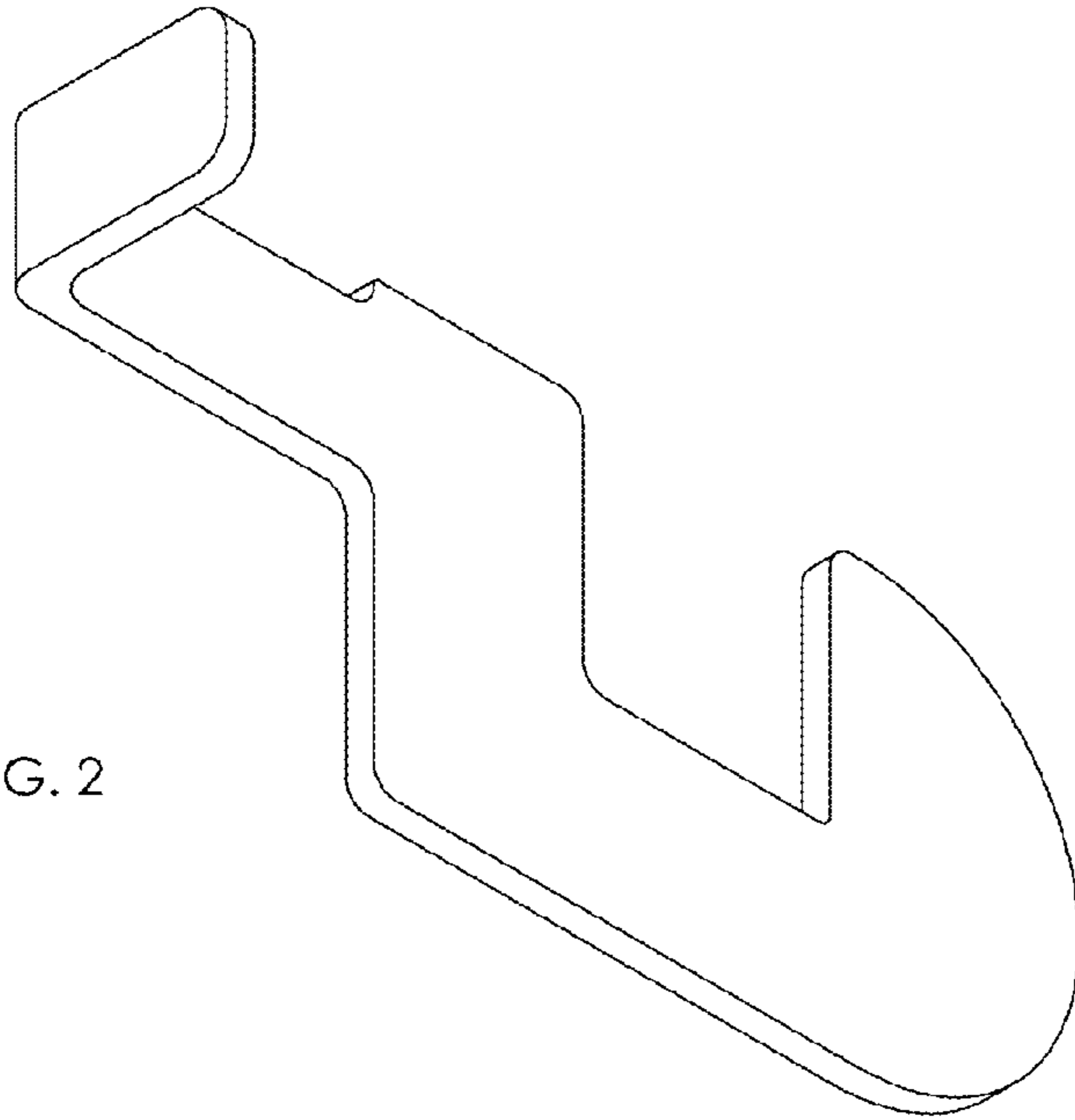


FIG. 2

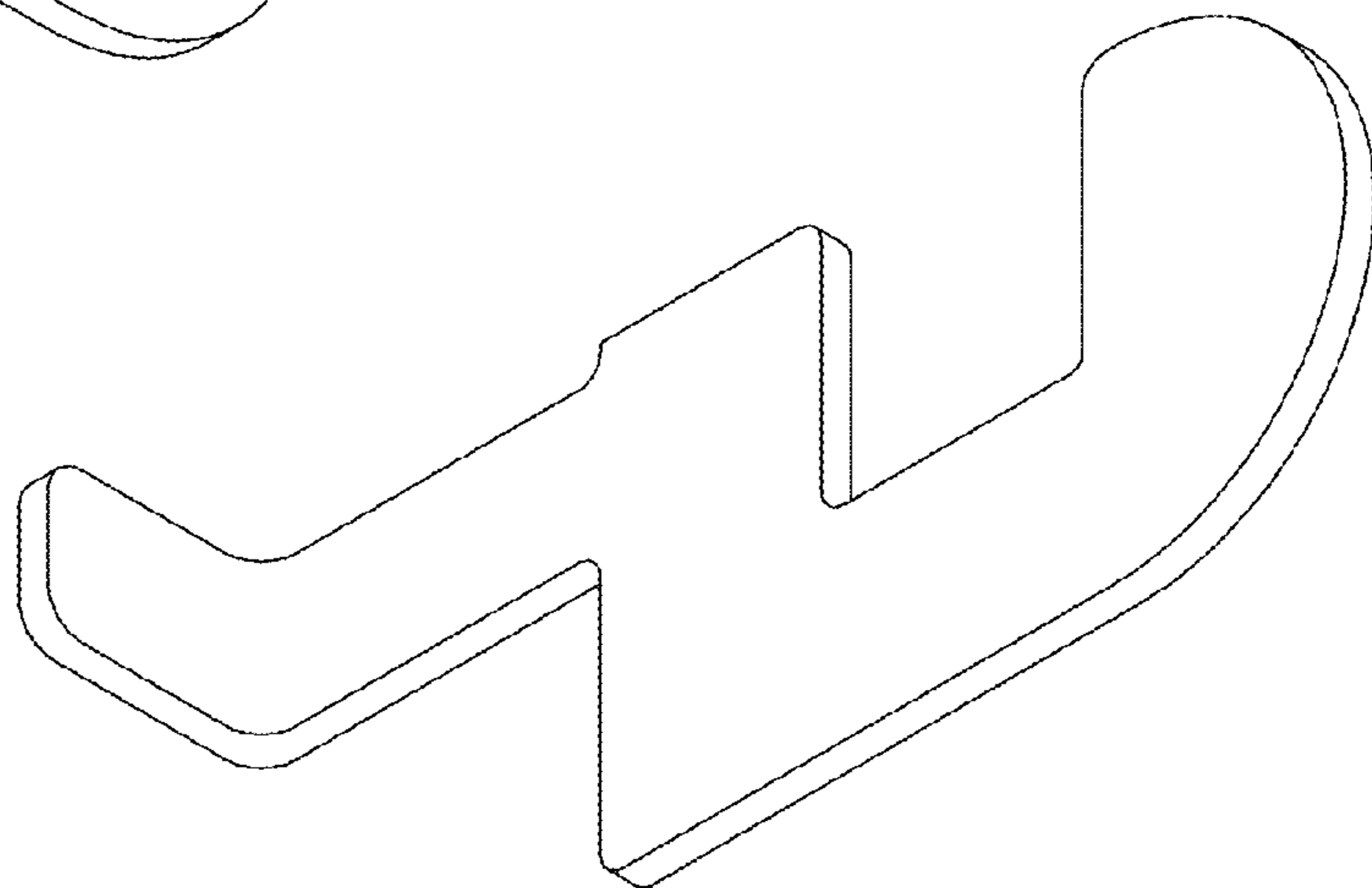


FIG. 3

FIG. 4

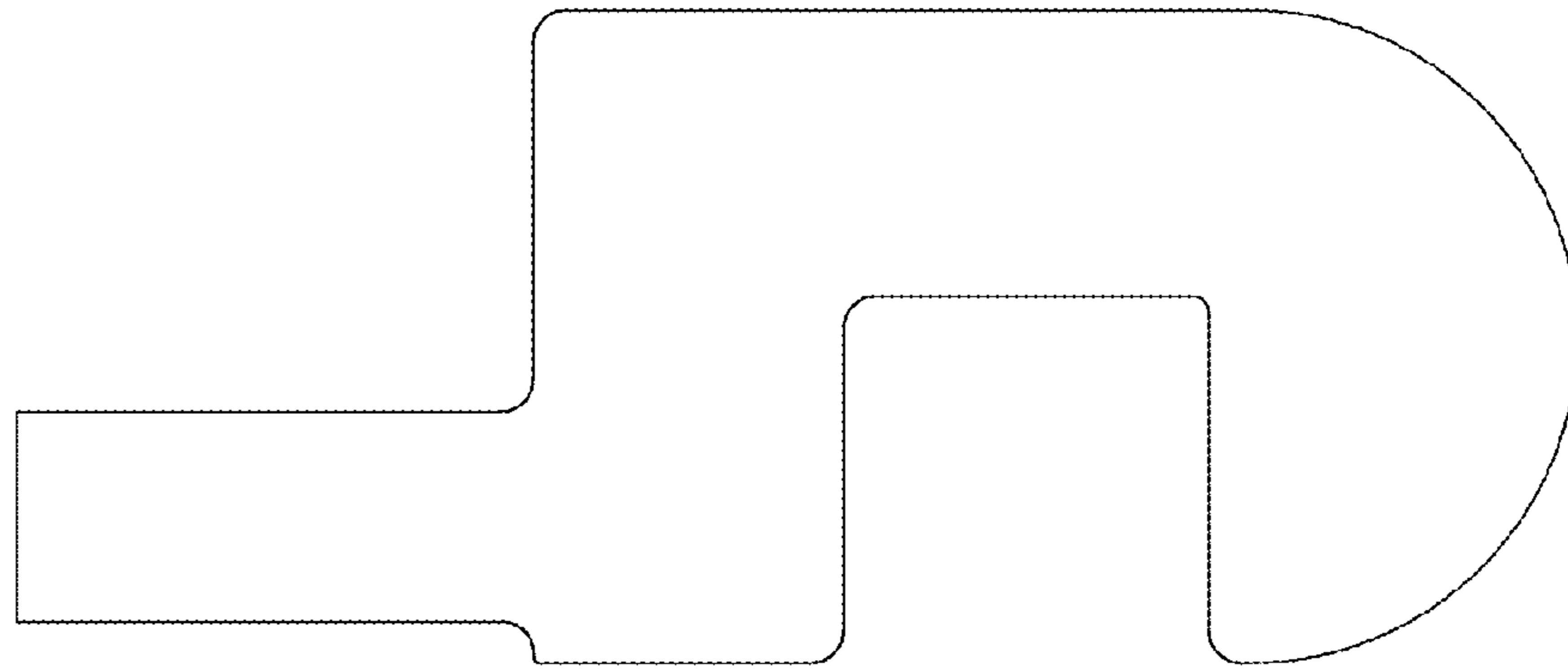


FIG. 5

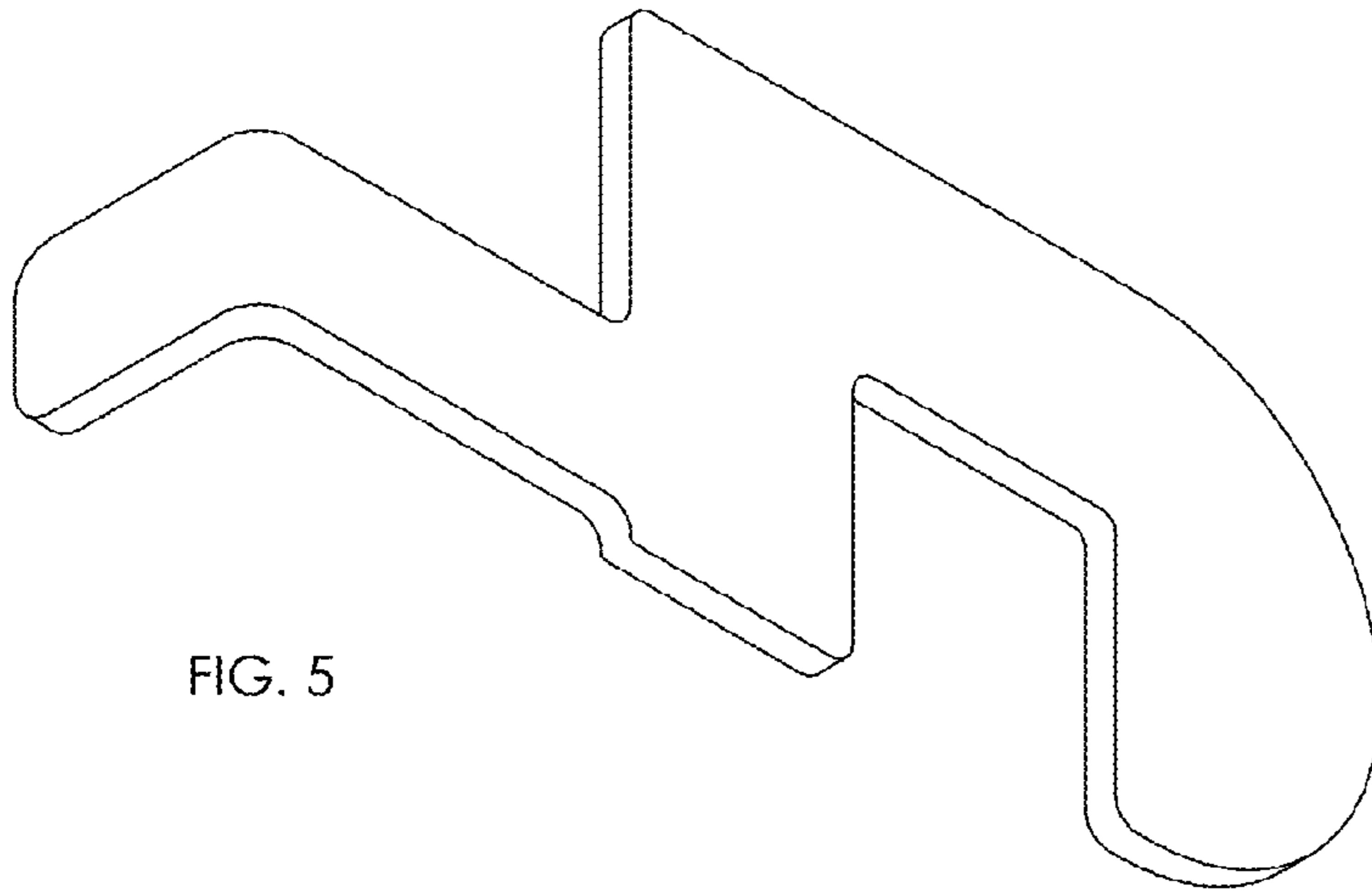


FIG. 6

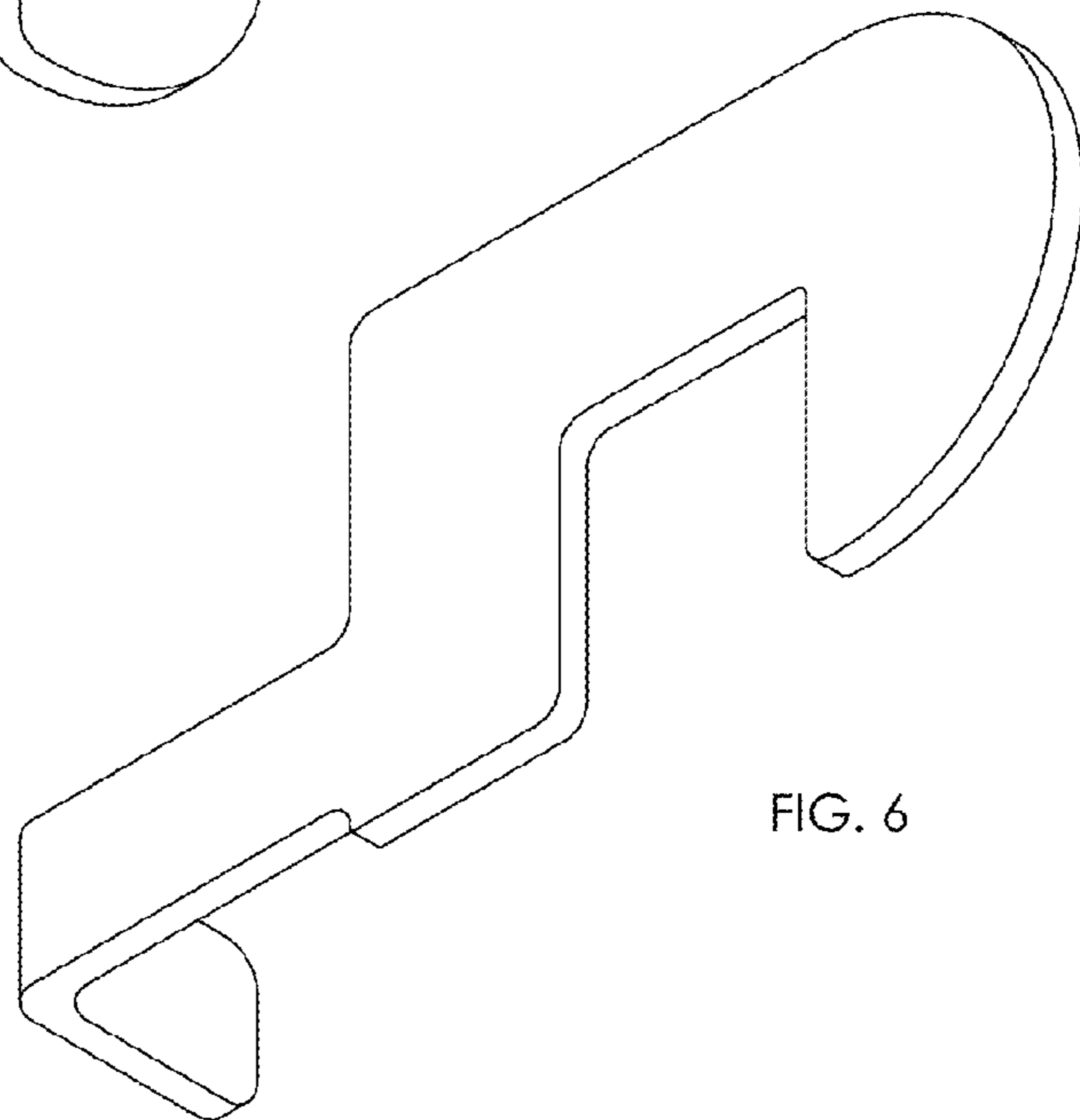




FIG. 7



FIG. 8

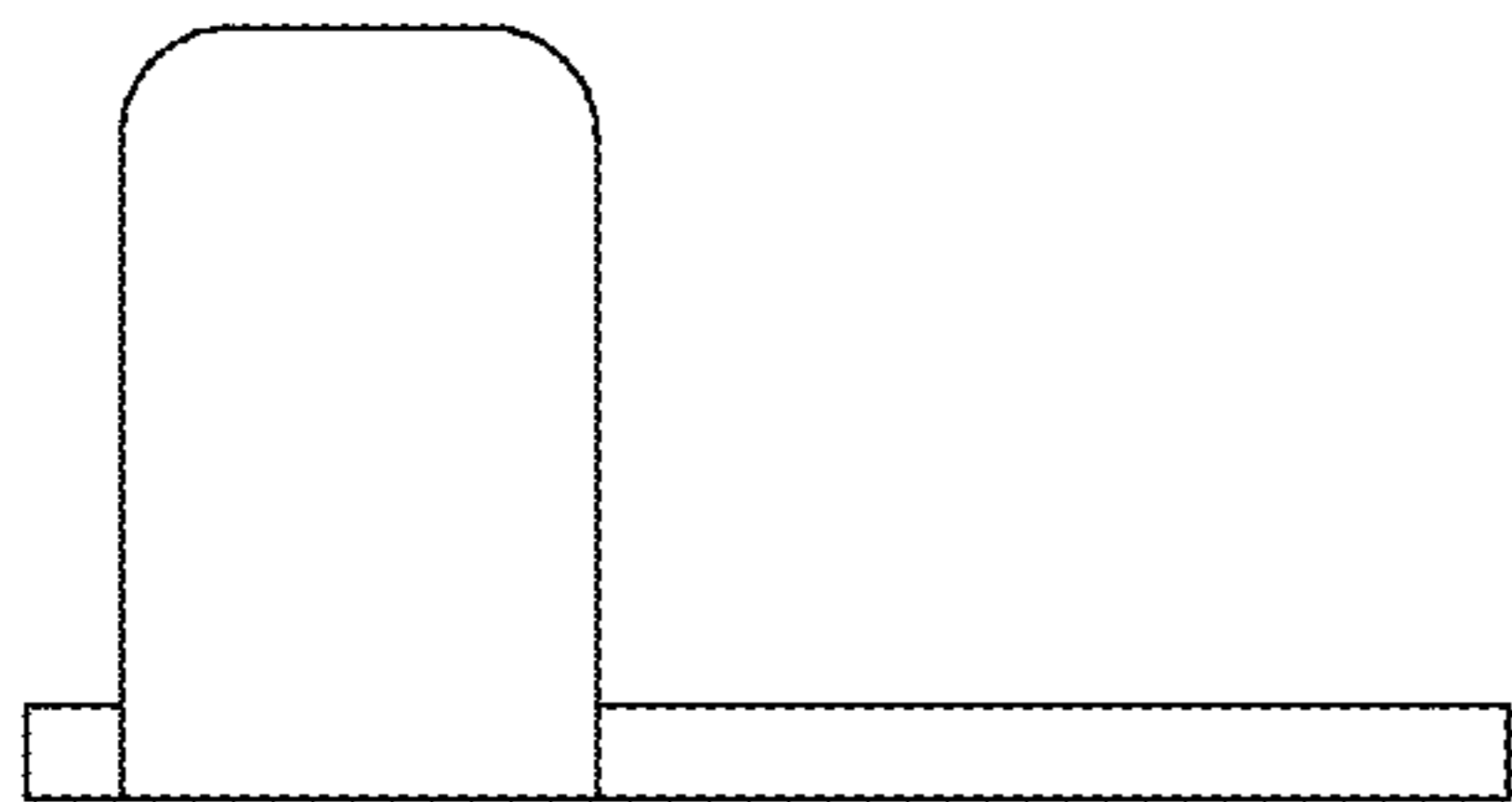


FIG. 9

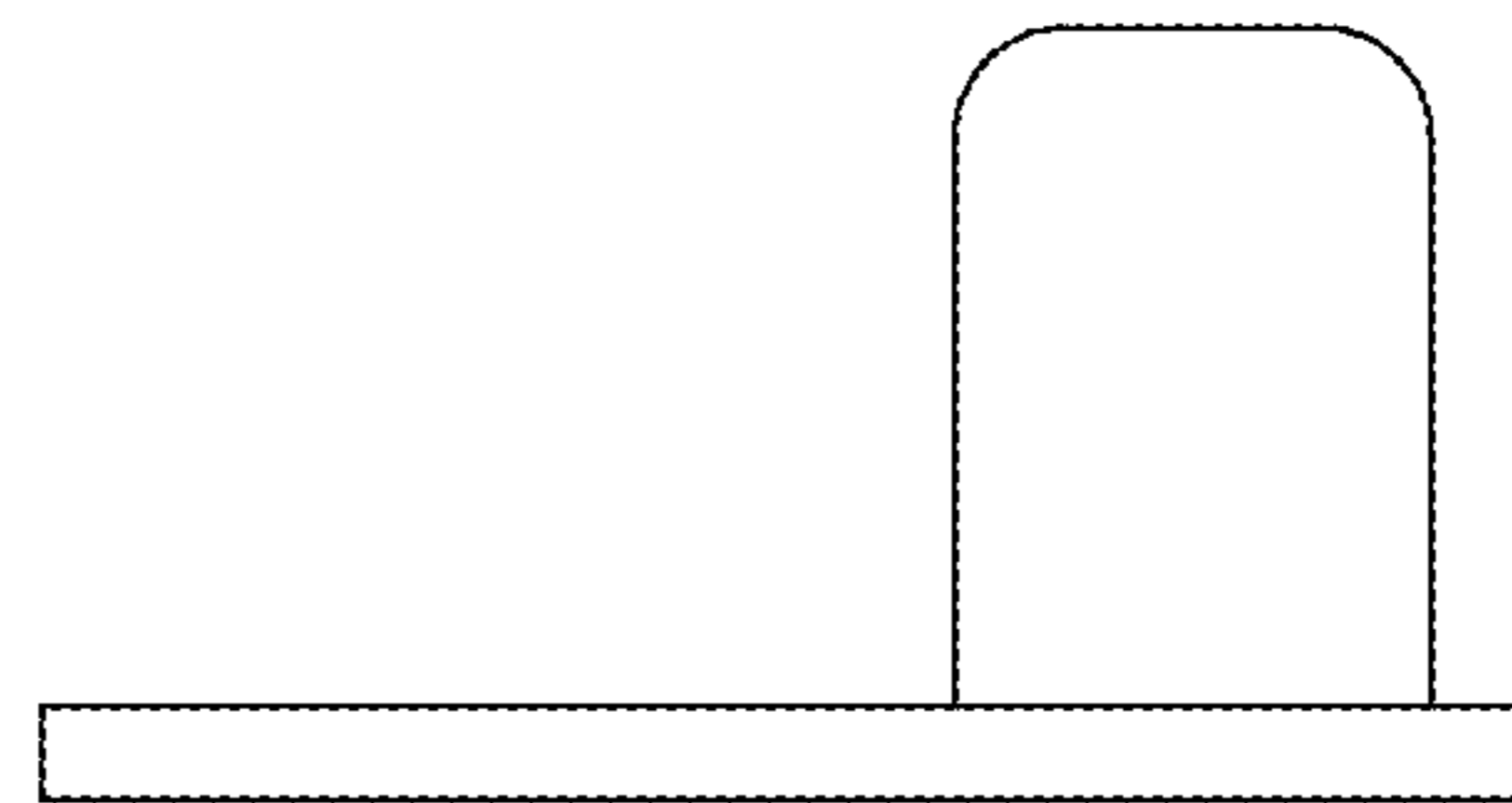


FIG. 10