



US00D894300S

(12) **United States Design Patent** (10) **Patent No.:** **US D894,300 S**
Hanet (45) **Date of Patent:** **** Aug. 25, 2020**

(54) **PUTTER HEAD**

(71) Applicant: **Callaway Golf Company**, Carlsbad, CA (US)

(72) Inventor: **Robert P. Hanet**, Canton, MI (US)

(73) Assignee: **Callaway Golf Company**, Carlsbad, CA (US)

(**) Term: **15 Years**

(21) Appl. No.: **29/685,498**

(22) Filed: **Mar. 28, 2019**

(51) **LOC (12) Cl.** **21-02**

(52) **U.S. Cl.**
USPC **D21/743**

(58) **Field of Classification Search**
USPC D21/736-746
CPC A63B 53/00; A63B 53/04; A63B 53/007;
A63B 53/065; A63B 53/0487; A63B
60/00; A63B 60/46

See application file for complete search history.

(56) **References Cited**

U.S. PATENT DOCUMENTS

D296,120 S *	6/1988	Brace	D21/739
D356,613 S *	3/1995	Adams	D21/743
D367,905 S *	3/1996	Kanazawa	D21/742
D385,933 S *	11/1997	Rollinson	D21/746
D388,851 S *	1/1998	Rollinson	D21/746
D407,445 S *	3/1999	Rollinson	D21/743
D410,267 S *	5/1999	Solheim	D21/736
5,916,035 A *	6/1999	Caiozzo	A63B 53/0487 473/252
D414,830 S *	10/1999	Cleveland	D21/736
D430,633 S *	9/2000	Billings	D21/743

D435,275 S *	12/2000	Sizemore, Jr.	D21/736
D474,821 S *	5/2003	Wells	D21/743
D486,872 S *	2/2004	Schweigert	D21/736
D590,034 S *	4/2009	Foster	D21/744
D603,006 S *	10/2009	Foster	D21/736
D624,978 S *	10/2010	Rollinson	D21/743
D634,381 S *	3/2011	Cardani	D21/736
D641,441 S *	7/2011	Hilton	D21/743
D733,818 S *	7/2015	Jorgensen	D21/736
D771,208 S *	11/2016	Bettinardi	D21/744
D823,411 S *	7/2018	Seagram	D21/759
D846,047 S *	4/2019	Hilton	D21/744
D860,357 S *	9/2019	Rollinson	D21/746
D875,195 S *	2/2020	Serrano	D21/743

* cited by examiner

Primary Examiner — Mitchell I. Siegel

(74) *Attorney, Agent, or Firm* — Rebecca Hanovice;
Michael Catania; Sonia Lari

(57) **CLAIM**

The ornamental design for a putter head, as shown and described.

DESCRIPTION

FIG. 1 is a rear perspective view of the putter head claimed herein;

FIG. 2 is a rear elevational view thereof;

FIG. 3 is a front elevational view thereof;

FIG. 4 is a right side elevational view thereof;

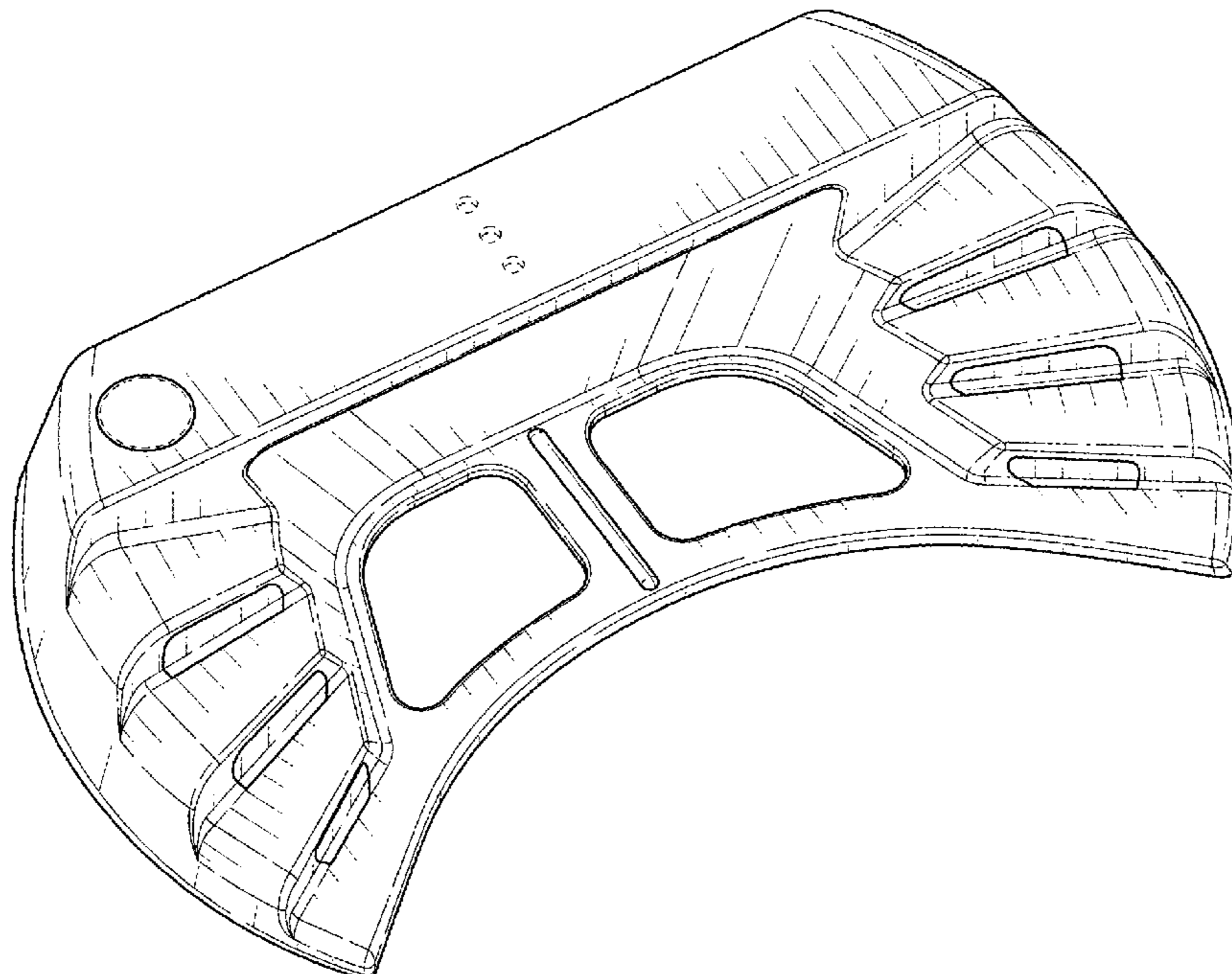
FIG. 5 is a left side elevational view thereof;

FIG. 6 is a top plan view thereof; and,

FIG. 7 is a bottom plan view thereof.

The broken lines shown are included for the purpose of illustrating unclaimed subject matter and forms no part of the claimed design.

1 Claim, 3 Drawing Sheets



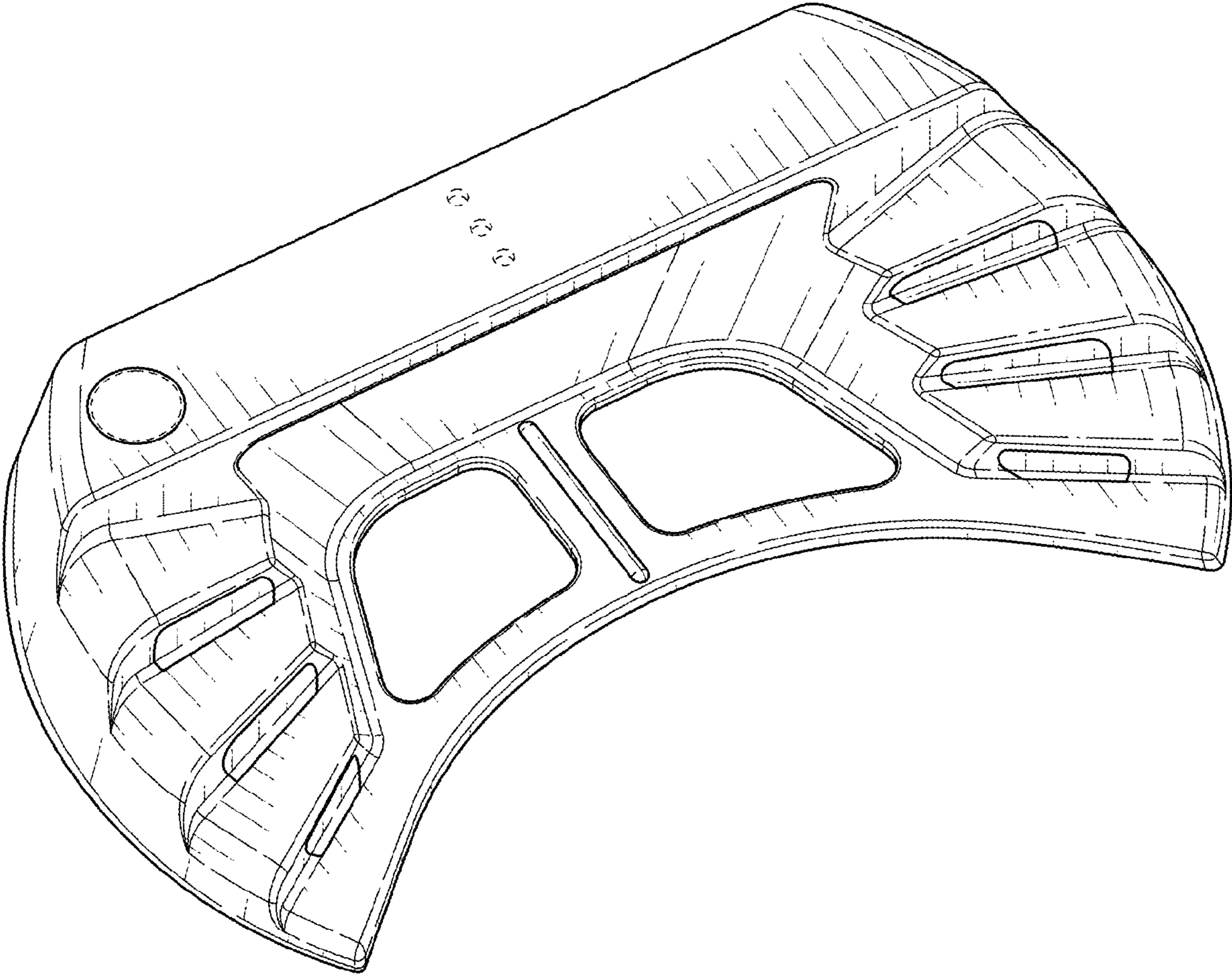


FIG. 1

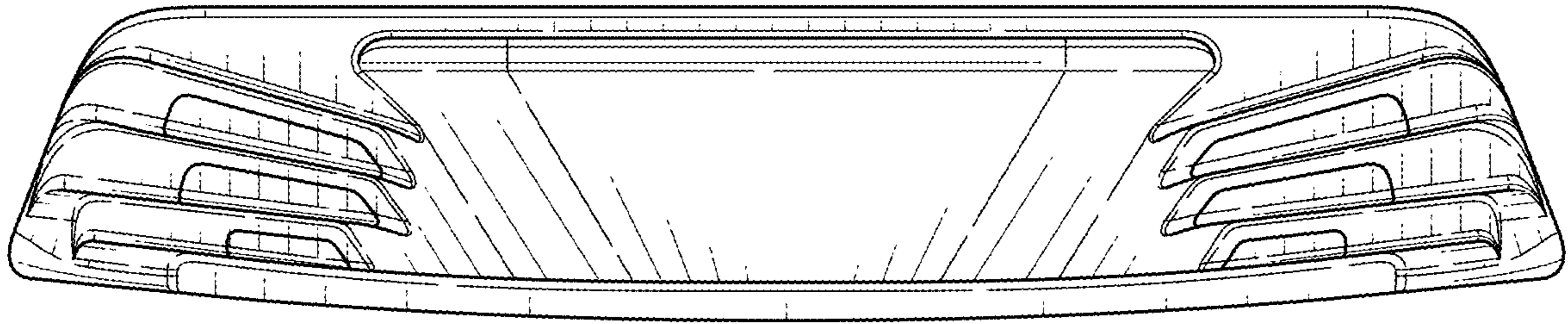


FIG. 2

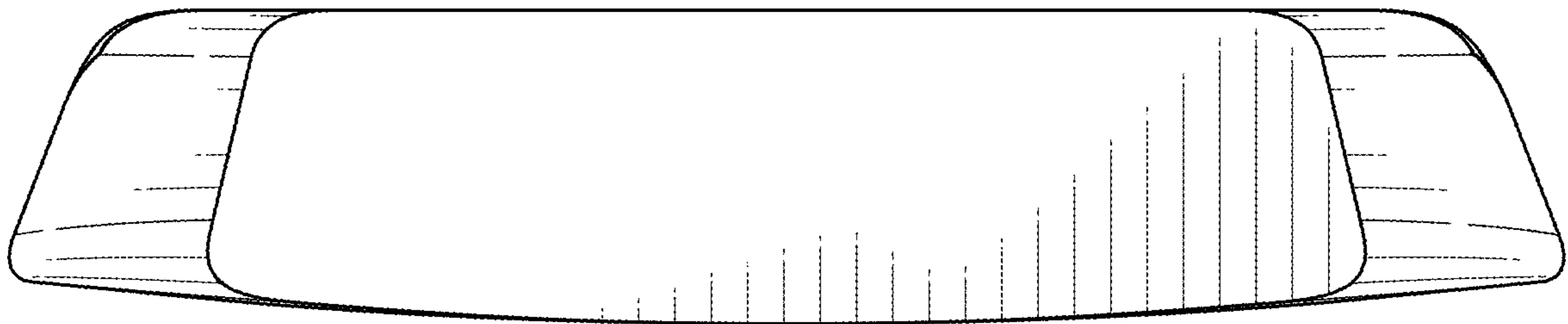


FIG. 3

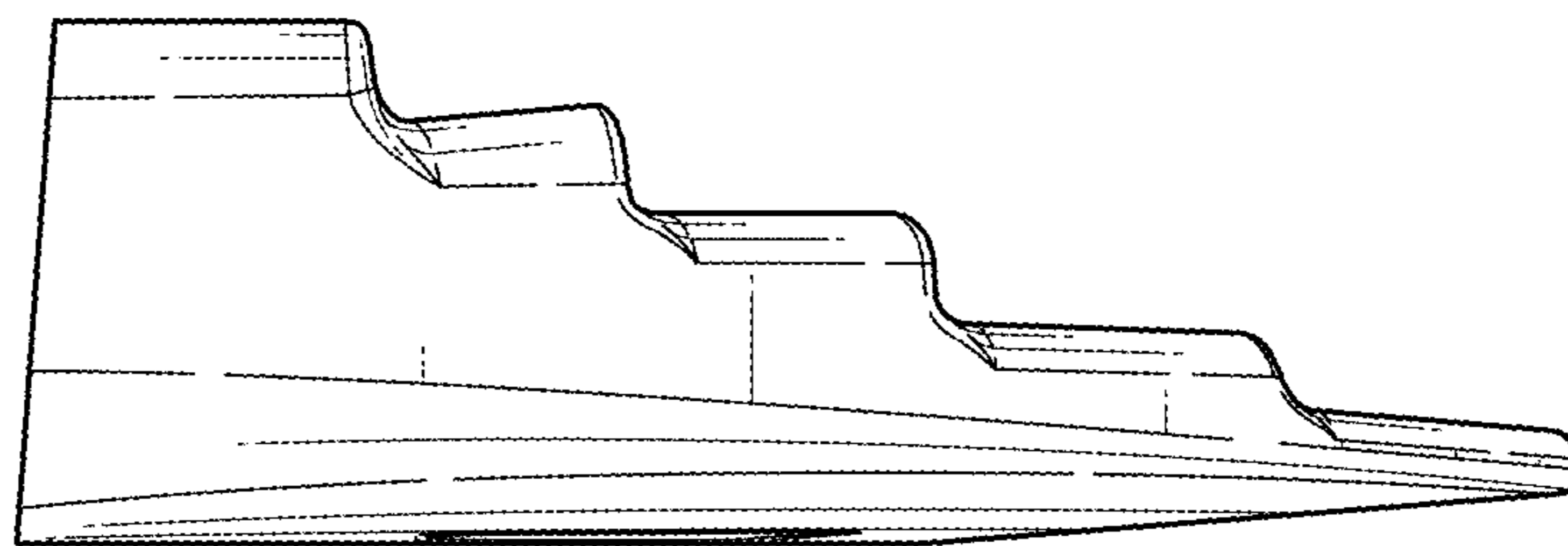


FIG. 4

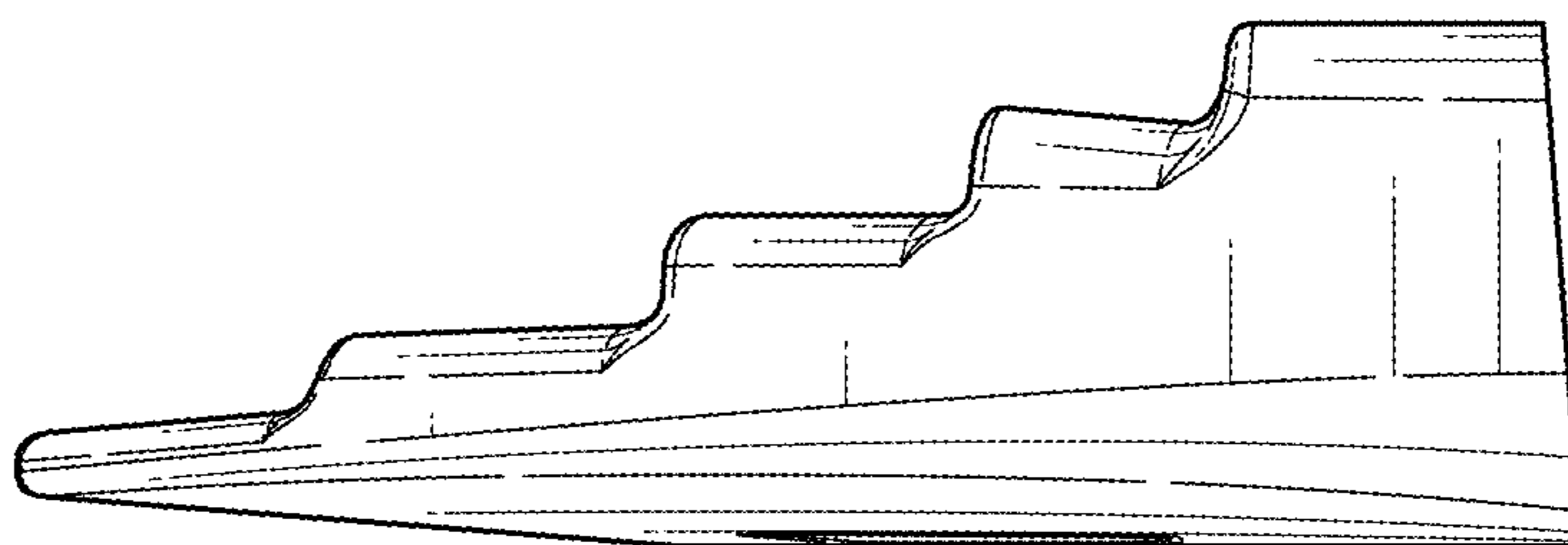


FIG. 5

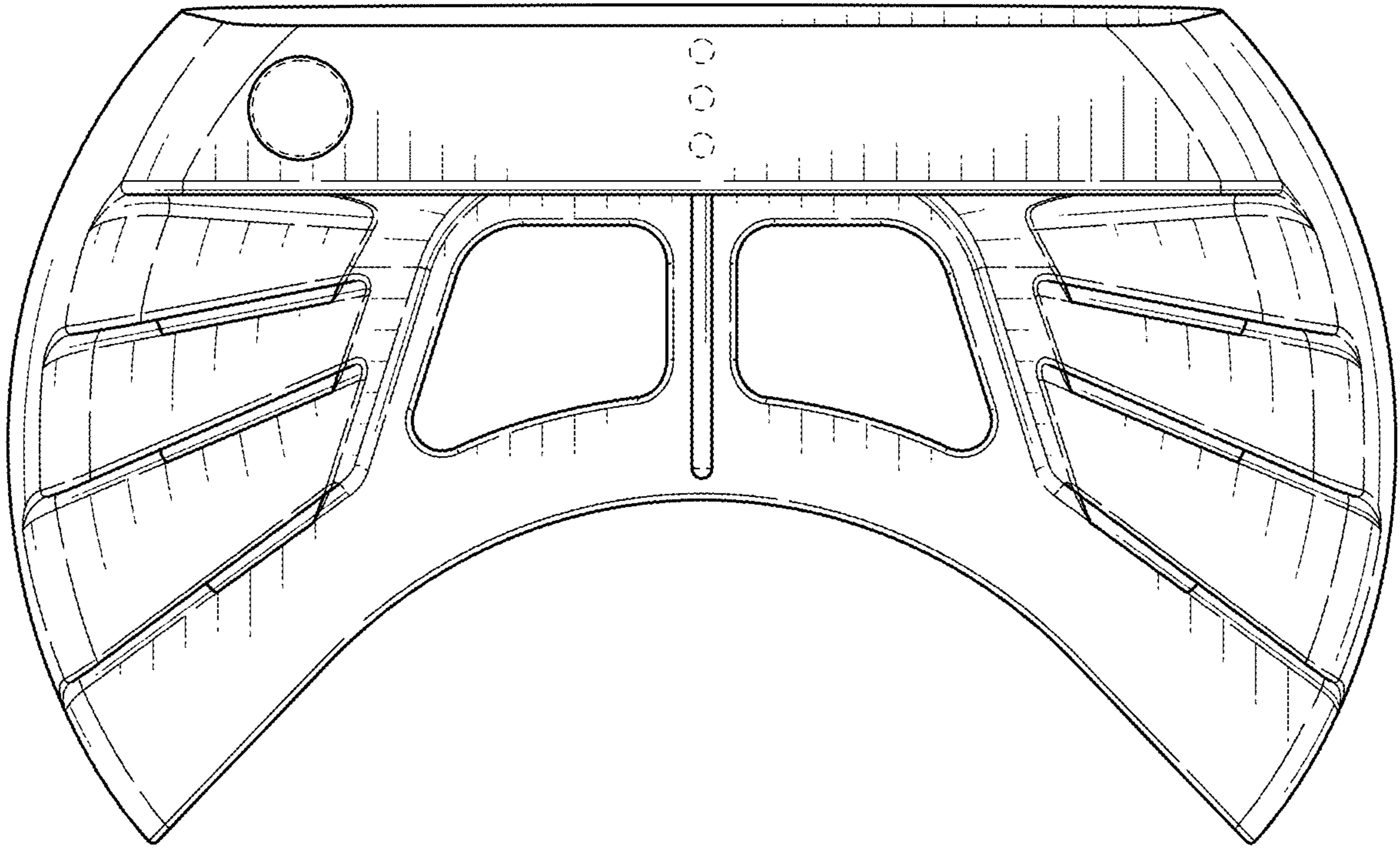


FIG. 6

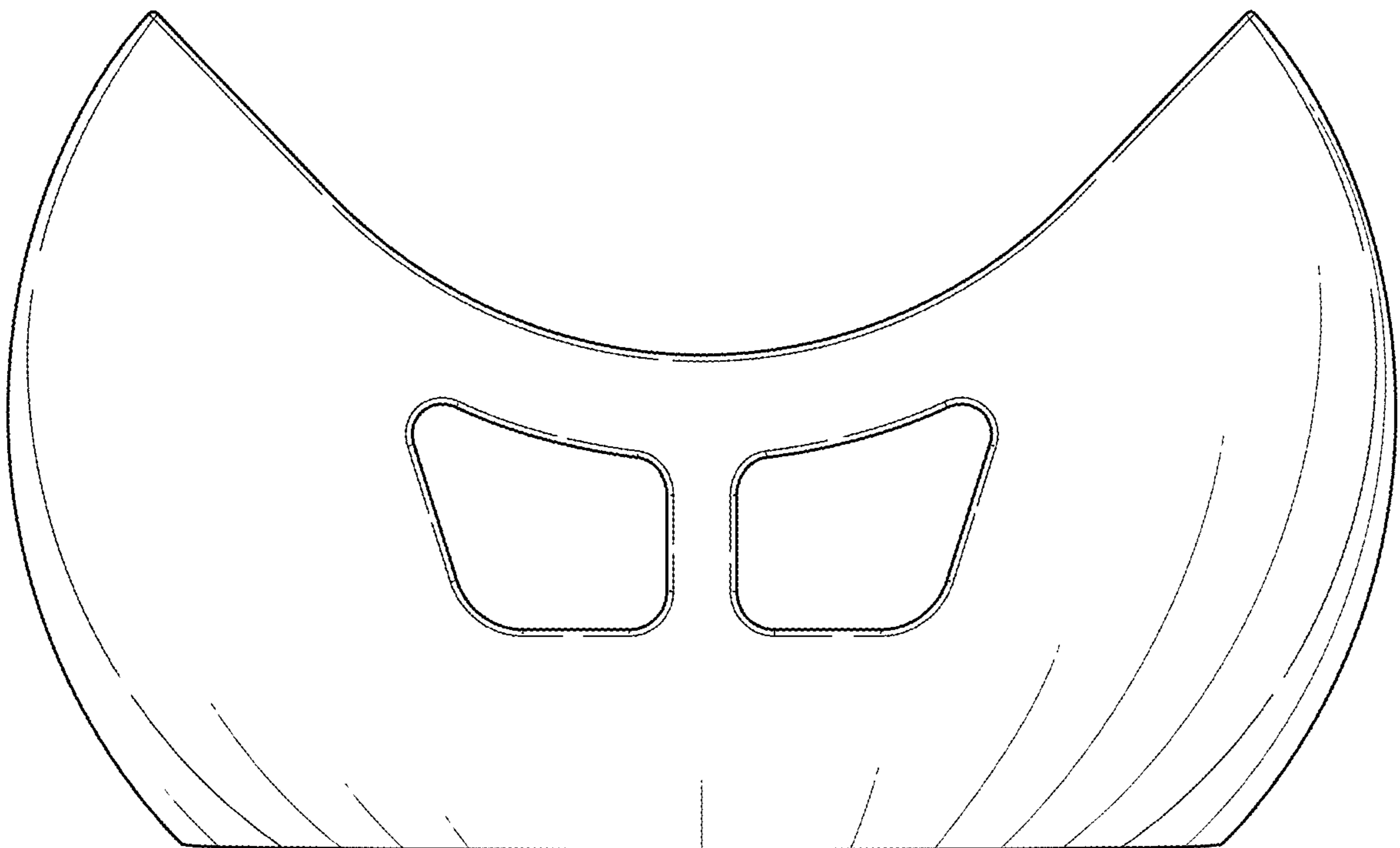


FIG. 7