



US00D894299S

(12) **United States Design Patent**
Cameron

(10) **Patent No.:** **US D894,299 S**

(45) **Date of Patent:** **** Aug. 25, 2020**

(54) **GOLF CLUB HEAD**

(71) Applicant: **Acushnet Company**, Fairhaven, MA
(US)

(72) Inventor: **Don T. Cameron**, Carlsbad, CA (US)

(73) Assignee: **Acushnet Company**, Fairhaven, MA
(US)

(**) Term: **15 Years**

(21) Appl. No.: **29/679,767**

(22) Filed: **Feb. 8, 2019**

(51) **LOC (12) Cl.** **21-02**

(52) **U.S. Cl.**
USPC **D21/743**

(58) **Field of Classification Search**
USPC D21/736-746, 759
CPC A63B 53/00; A63B 53/04; A63B 53/007;
A63B 53/065; A63B 53/0487; A63B
60/00; A63B 60/46

See application file for complete search history.

(56) **References Cited**

U.S. PATENT DOCUMENTS

D449,085 S	*	10/2001	Breier	D21/744
D583,886 S	*	12/2008	Cameron	D21/743
D588,657 S	*	3/2009	Hettinger	D21/744
D641,057 S	*	7/2011	Rollinson	D21/744
D641,440 S	*	7/2011	Hettinger	D21/743
D641,442 S	*	7/2011	Rollinson	D21/744
D650,457 S	*	12/2011	Rollinson	D21/743

D650,458 S	*	12/2011	Rollinson	D21/744
D652,092 S	*	1/2012	Rollinson	D21/743
D688,762 S	*	8/2013	Hilton	D21/736
D690,378 S	*	9/2013	Rollinson	D21/743
D691,681 S	*	10/2013	Hilton	D21/736
D733,233 S	*	6/2015	Dolezel	D21/742
D792,536 S	*	7/2017	Wang	D21/743
D826,353 S	*	8/2018	Cameron	D21/736
D835,218 S	*	12/2018	Rollinson	D21/743
D844,724 S	*	4/2019	Wang	D21/743
D845,411 S	*	4/2019	Cameron	D21/742
D875,195 S	*	2/2020	Serrano	D21/743
2015/0080148 A1	*	3/2015	Cameron	A63B 53/04 473/340

* cited by examiner

Primary Examiner — Mitchell I. Siegel

(74) *Attorney, Agent, or Firm* — Randy K. Chang

(57) **CLAIM**

The ornamental design for golf club head, as shown and described.

DESCRIPTION

FIG. 1 is a perspective sole view of my new design for a golf club head;

FIG. 2 is a front view thereof;

FIG. 3 is a bottom sole view thereof;

FIG. 4 is a top view thereof;

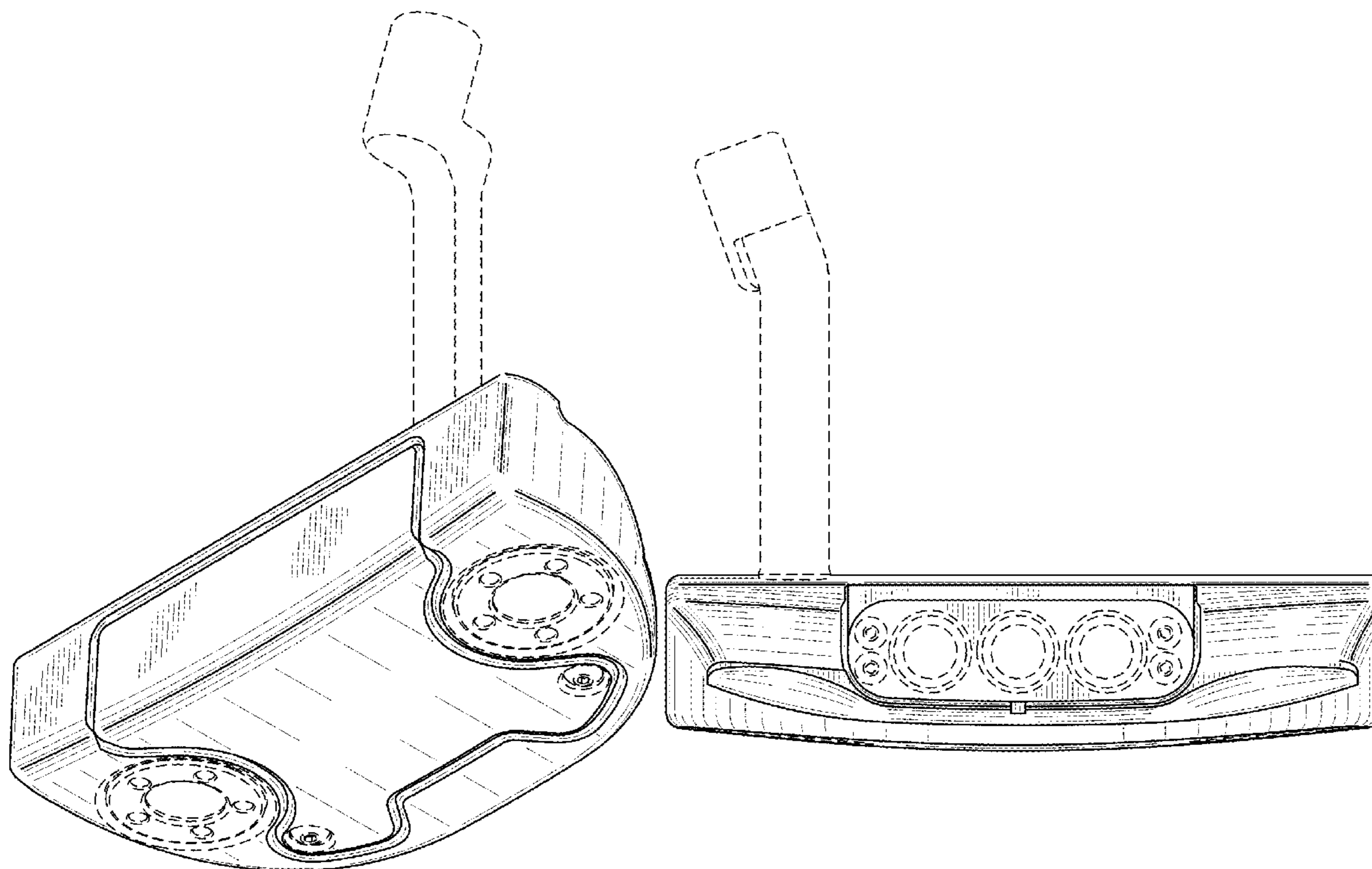
FIG. 5 is a back view thereof;

FIG. 6 is a toe view thereof; and,

FIG. 7 is a heel view thereof.

The broken lines in the figures are used to illustrate the unclaimed portions of the invention and form no part of the claimed design.

1 Claim, 4 Drawing Sheets



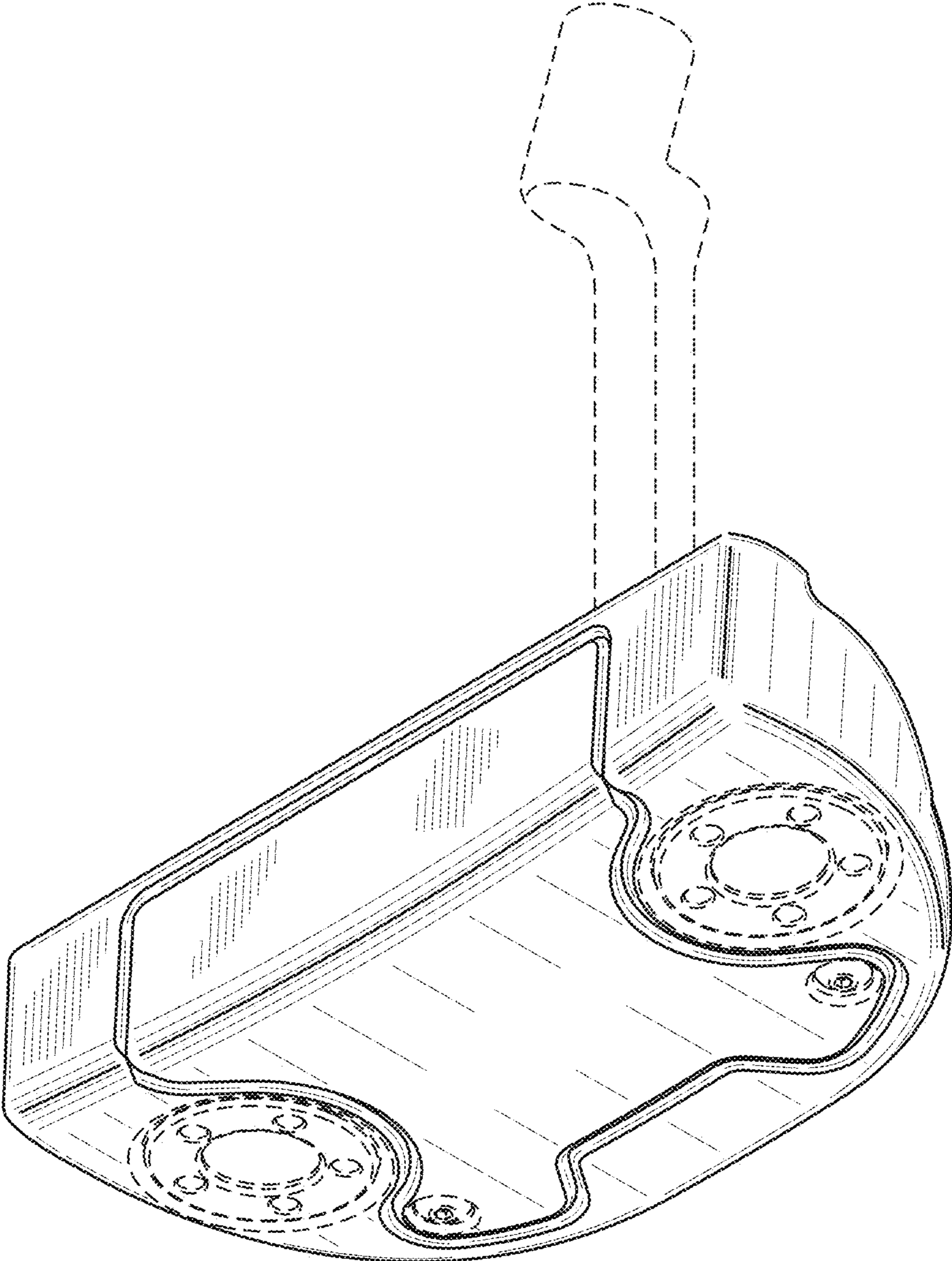


FIG. 1

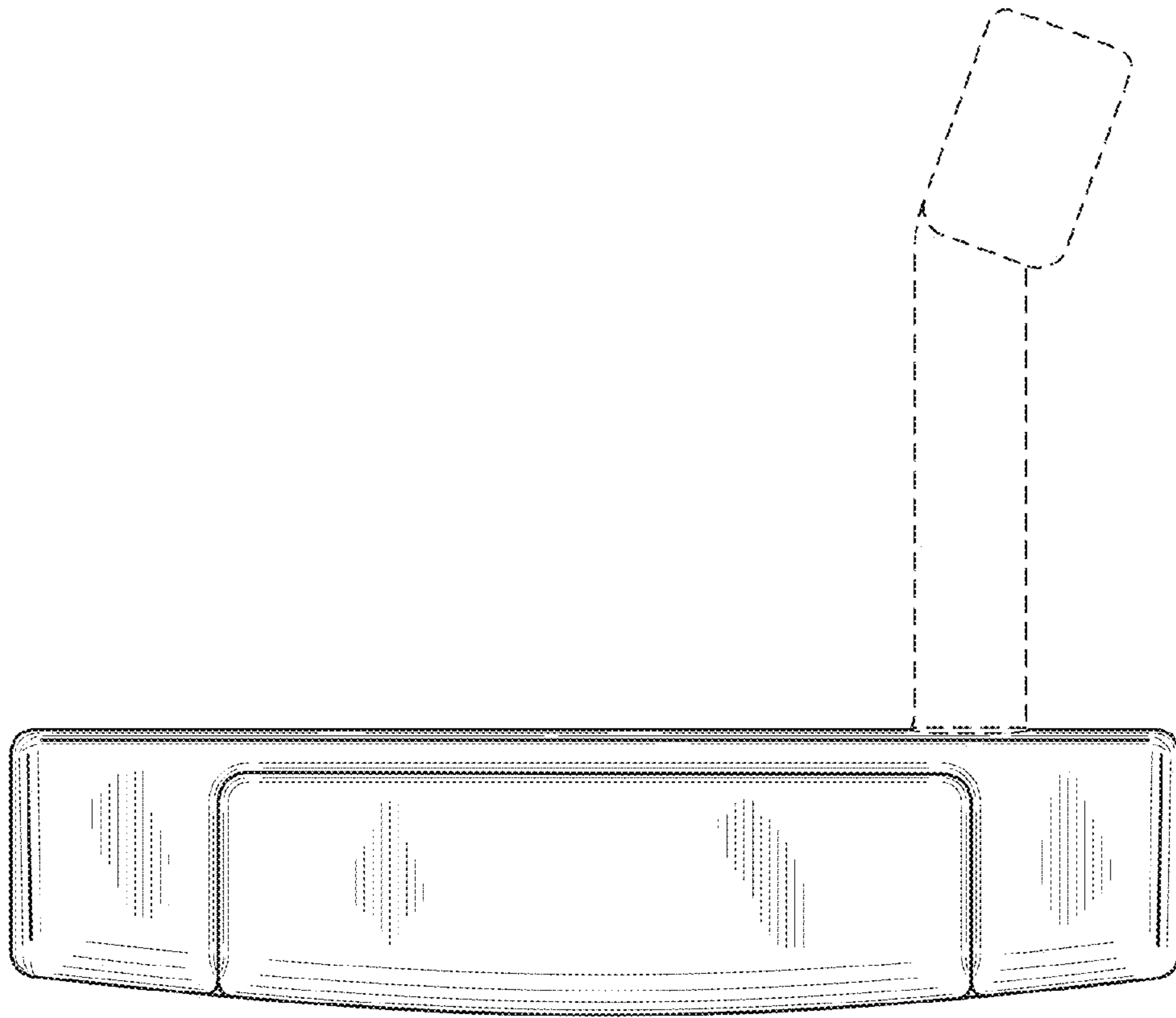


FIG. 2

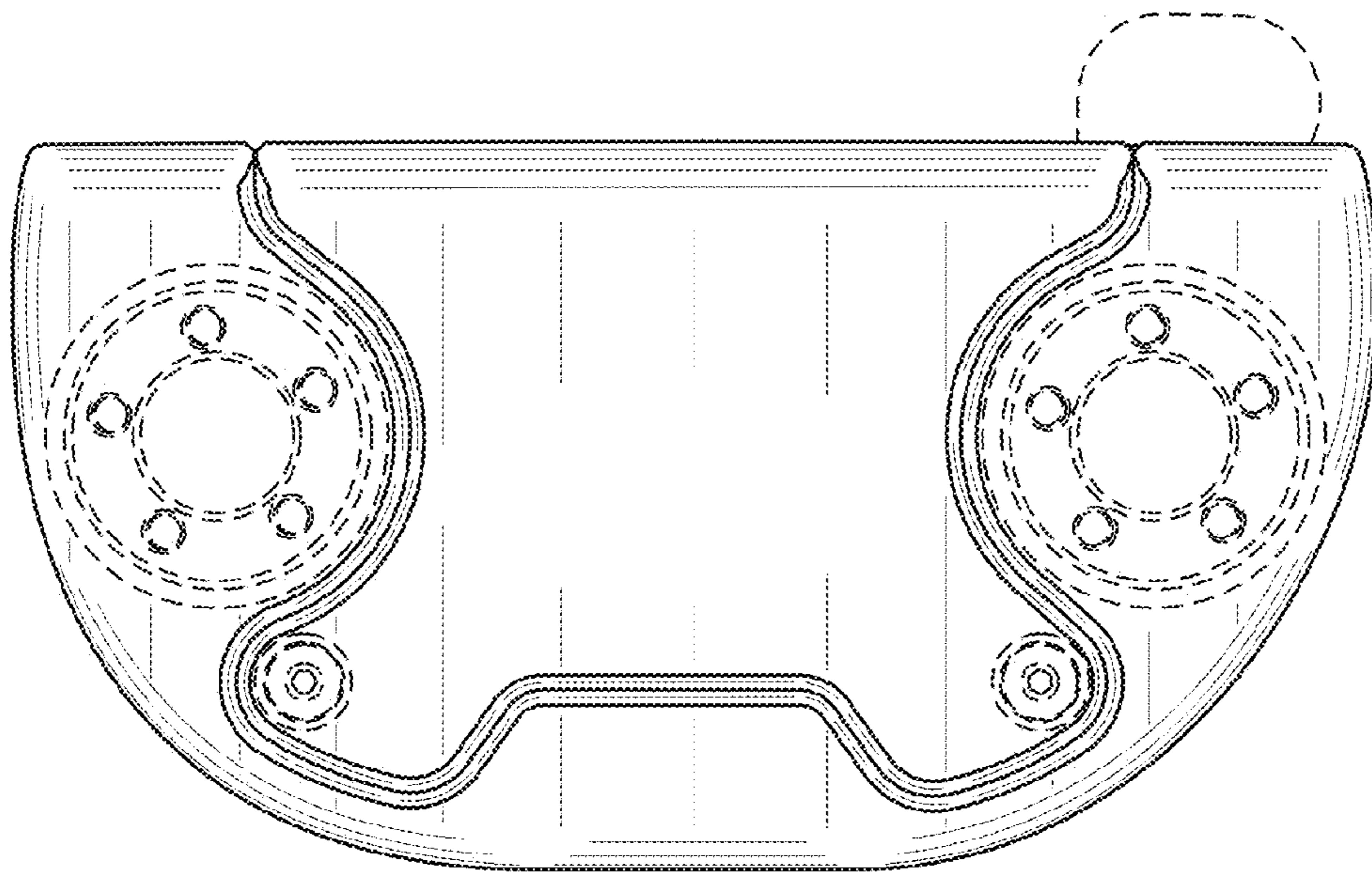


FIG. 3

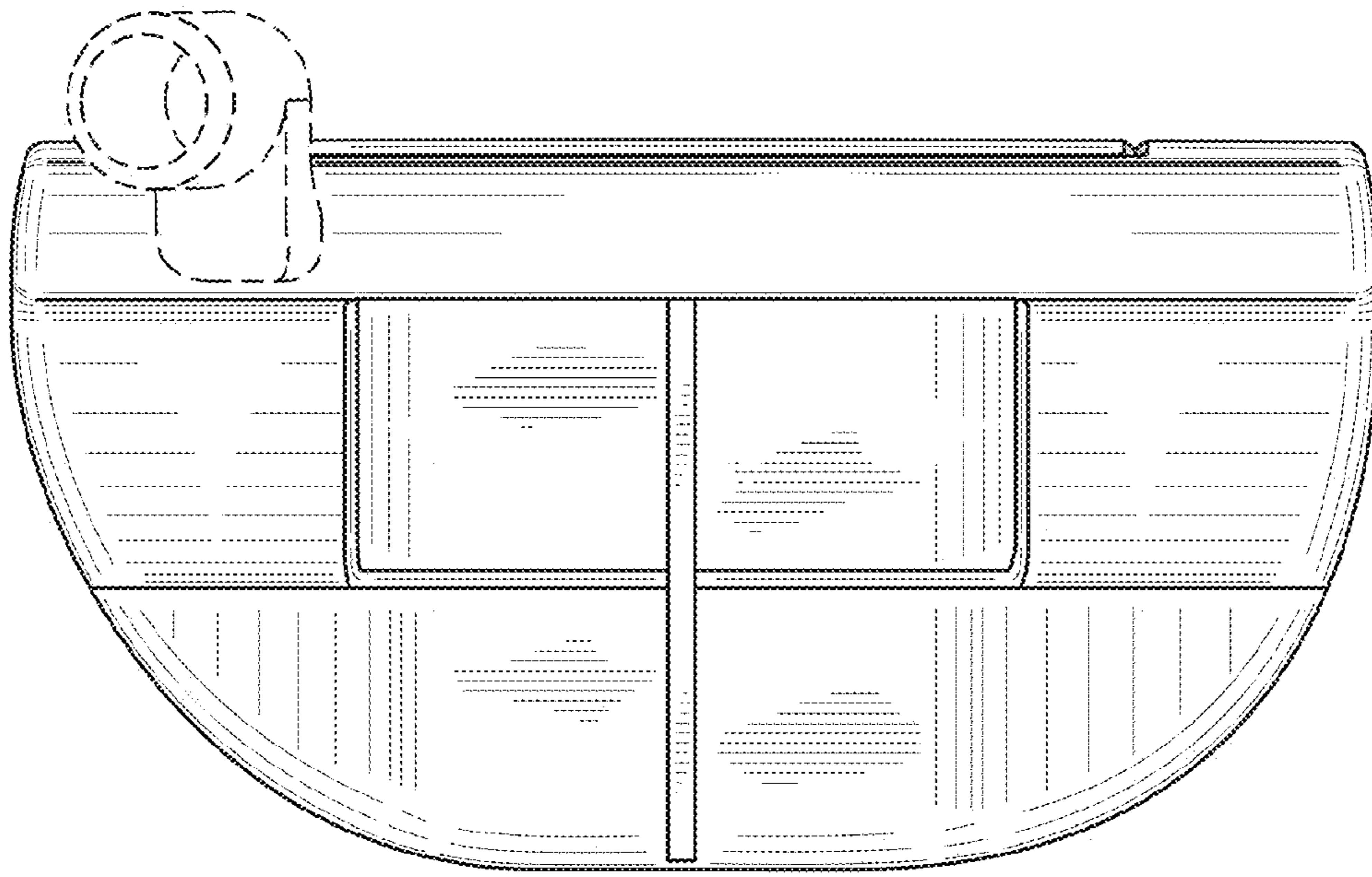


FIG. 4

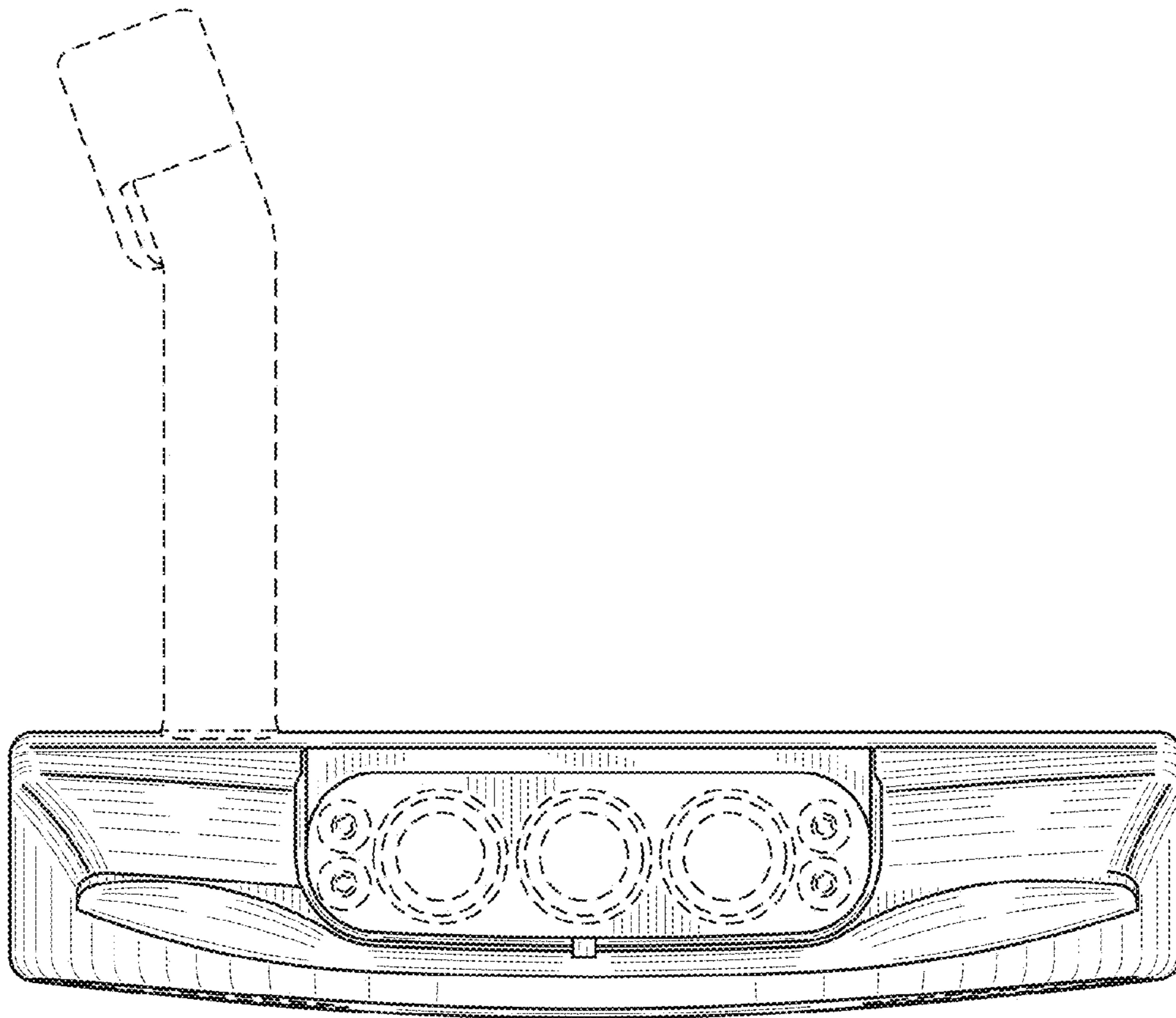


FIG. 5

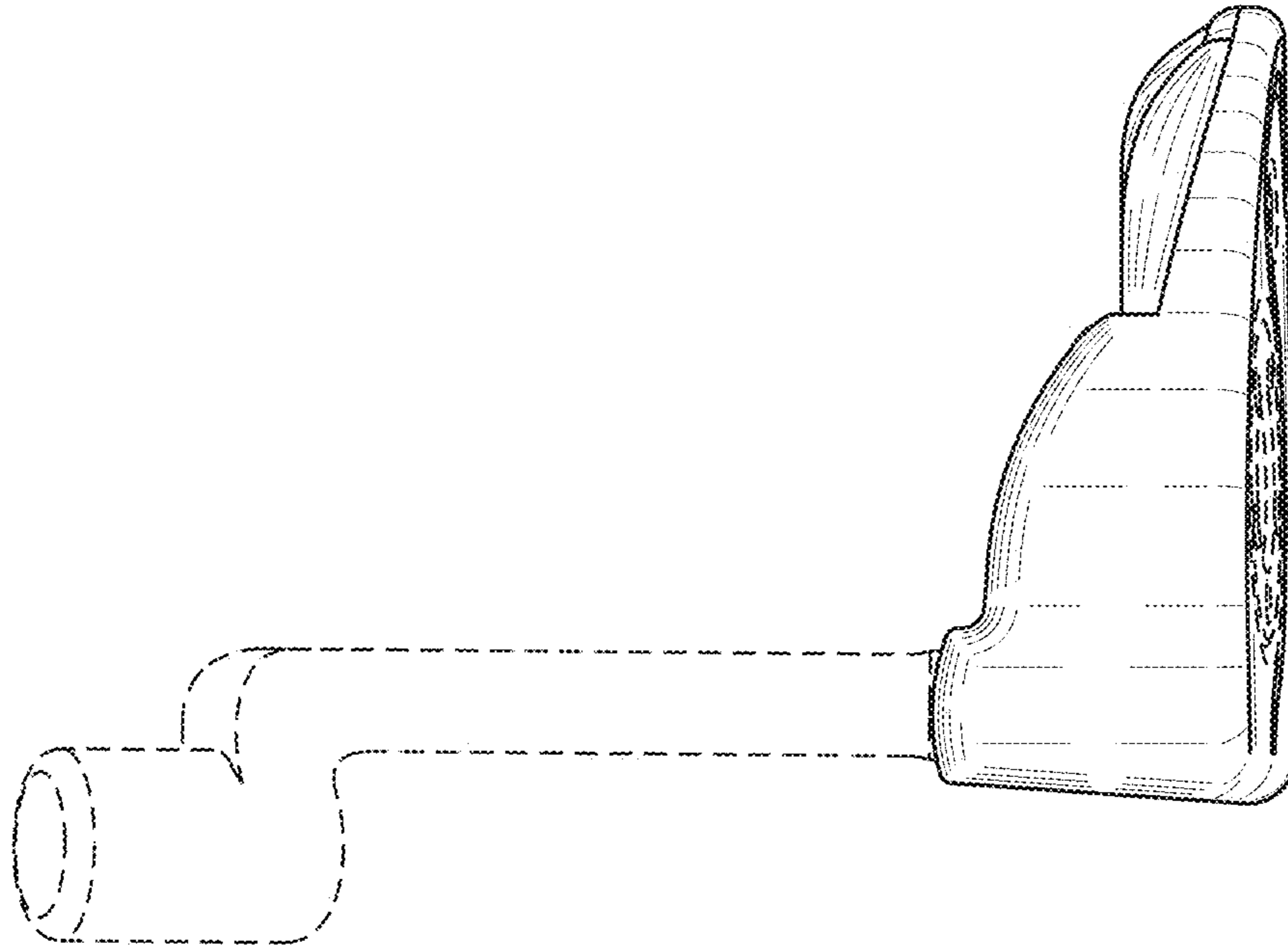


FIG. 6

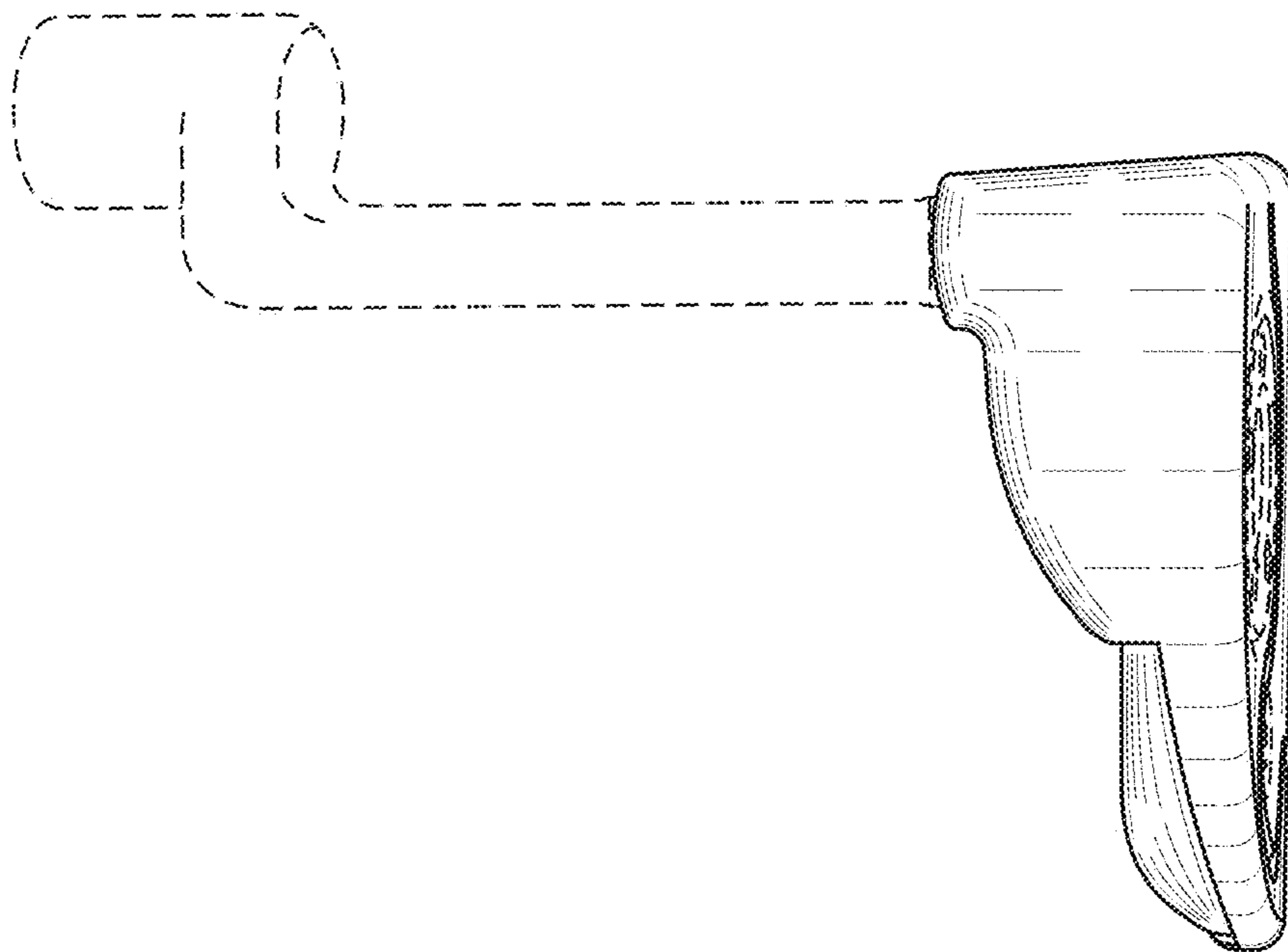


FIG. 7