



US00D894292S

(12) **United States Design Patent**
Park et al.

(10) **Patent No.:** **US D894,292 S**

(45) **Date of Patent:** **** Aug. 25, 2020**

(54) **TOY BLOCK**

(71) Applicant: **GYMWORLD INC.**, Seoul (KR)

(72) Inventors: **Kee Young Park**, Seoul (KR); **Gyu Jin Seo**, Seoul (KR); **Ju Seong Lee**, Osan-si (KR); **Chang Moon Lee**, Gwangmyeong-si (KR); **Ki Ho Lee**, Hwaseong-si (KR); **Yoon Su Cha**, Suwon-si (KR); **Na Young Go**, Seongnam-si (KR); **So Lee Kang**, Seoul (KR); **Jo Un Yi**, Seoul (KR)

(73) Assignee: **GYMWORLD INC.**, Seoul (KR)

(**) Term: **15 Years**

(21) Appl. No.: **29/680,973**

(22) Filed: **Feb. 21, 2019**

(30) **Foreign Application Priority Data**

Sep. 3, 2018 (KR) 30-2018-0040951

(51) **LOC (12) Cl.** **21-01**

(52) **U.S. Cl.**
USPC **D21/491; D21/485**

(58) **Field of Classification Search**
USPC D21/478, 479, 484, 485–505
CPC A63H 33/00; A63H 33/04; A63H 33/06;
A63H 33/08; A63H 33/10; A63H 33/12;
A63H 33/14; A63F 9/08; A63F 9/12;
G09B 1/36
See application file for complete search history.

(56) **References Cited**

U.S. PATENT DOCUMENTS

4,903,969 A * 2/1990 Williams, Jr. A63F 3/00097
273/248
D426,933 S * 6/2000 Redfern D21/491

D532,179 S * 11/2006 Guidroz D34/38
D575,313 S * 8/2008 Hull D15/141
D585,096 S * 1/2009 Lin D21/341
7,537,119 B2 * 5/2009 Becklin B65D 21/0223
206/508
D786,586 S * 5/2017 Rosan D6/641
D791,885 S * 7/2017 Rosan D21/500
D829,829 S * 10/2018 Barwald D21/491
D829,830 S * 10/2018 Wakim D21/491
10,183,227 B2 * 1/2019 Chen H05K 1/144
D851,180 S * 6/2019 Pihl D21/491
D857,111 S * 8/2019 Pihl D21/485

* cited by examiner

Primary Examiner — Cynthia M. Chin

(74) *Attorney, Agent, or Firm* — Korus Patent, LLC;
Seong Il Jeong

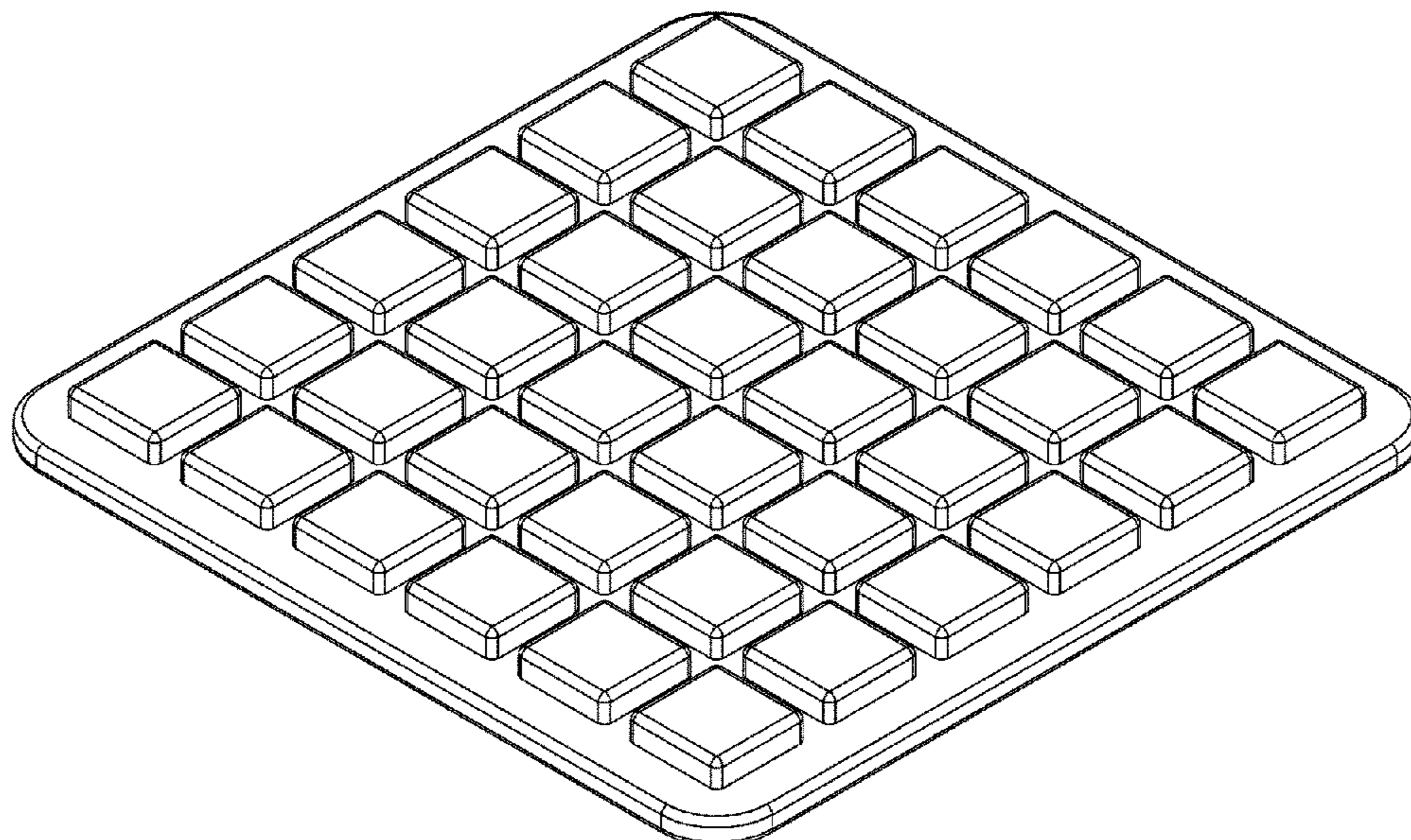
(57) **CLAIM**

The ornamental design for a toy block, as shown and described.

DESCRIPTION

FIG. 1 is a front perspective view of a toy block according to the present design;
FIG. 2 is a front elevation view thereof;
FIG. 3 is a rear elevation view thereof;
FIG. 4 is a left side view thereof;
FIG. 5 is a right side view thereof;
FIG. 6 is a top plan view thereof; and,
FIG. 7 is a bottom plan view thereof.
The broken lines are for the purpose of illustrating portions of the article that form no part of the claimed design.

1 Claim, 5 Drawing Sheets



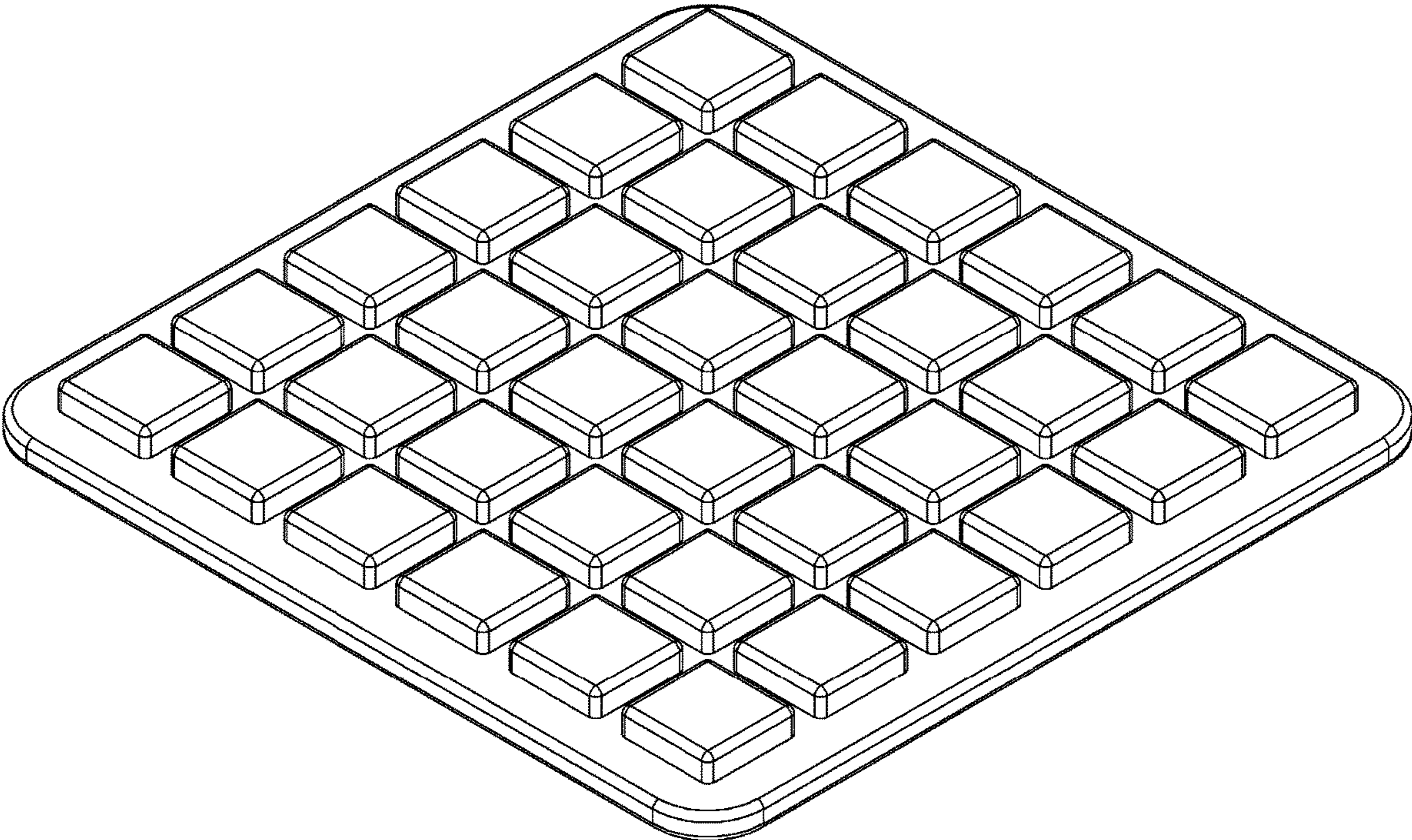


FIG. 1

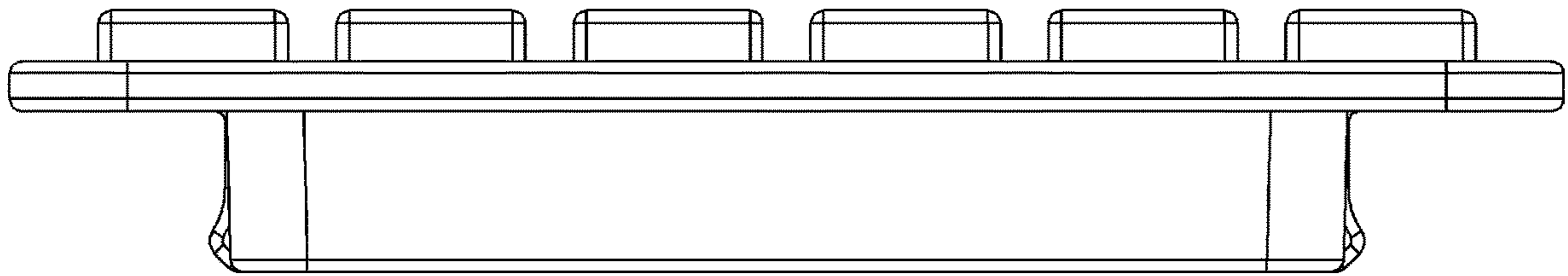


FIG. 2

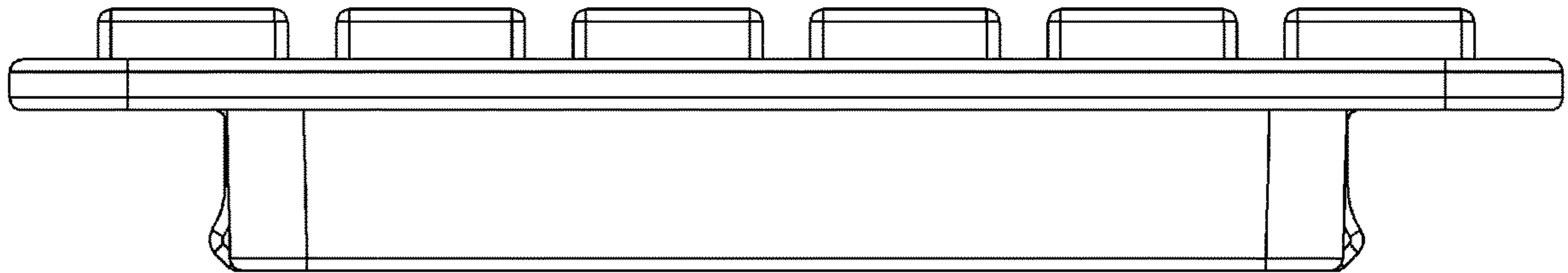


FIG. 3

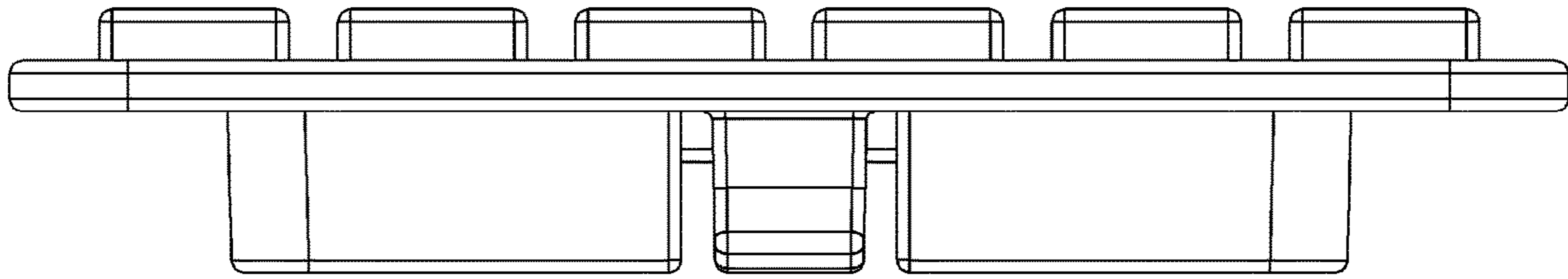


FIG. 4

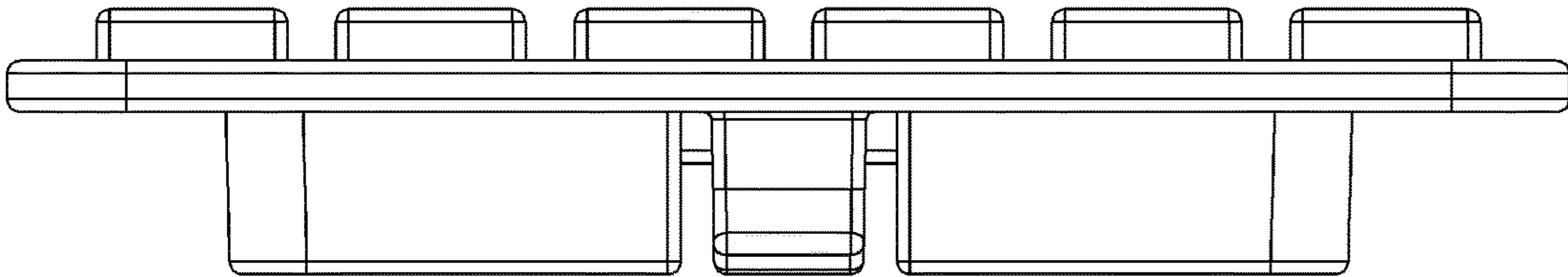


FIG. 5

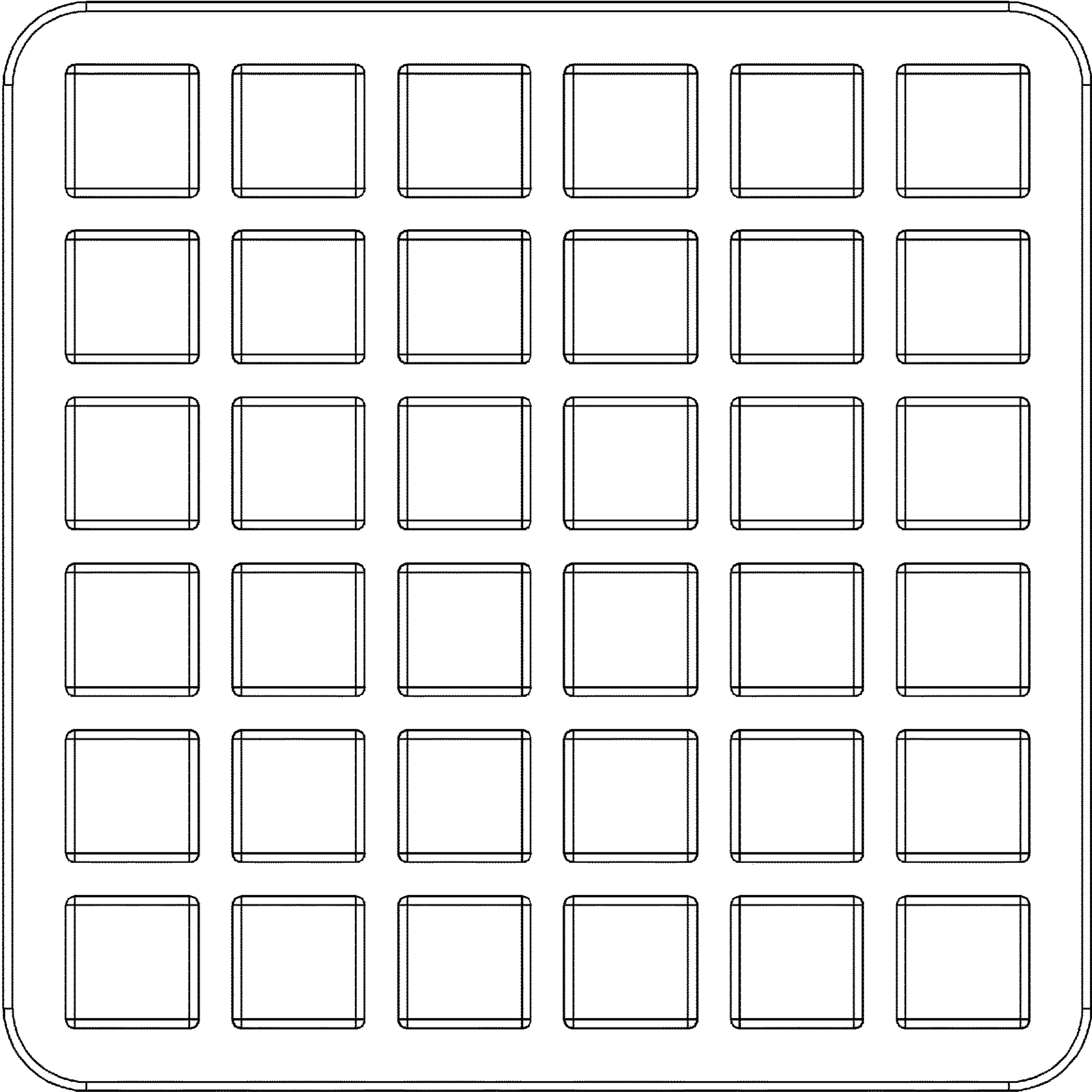


FIG. 6

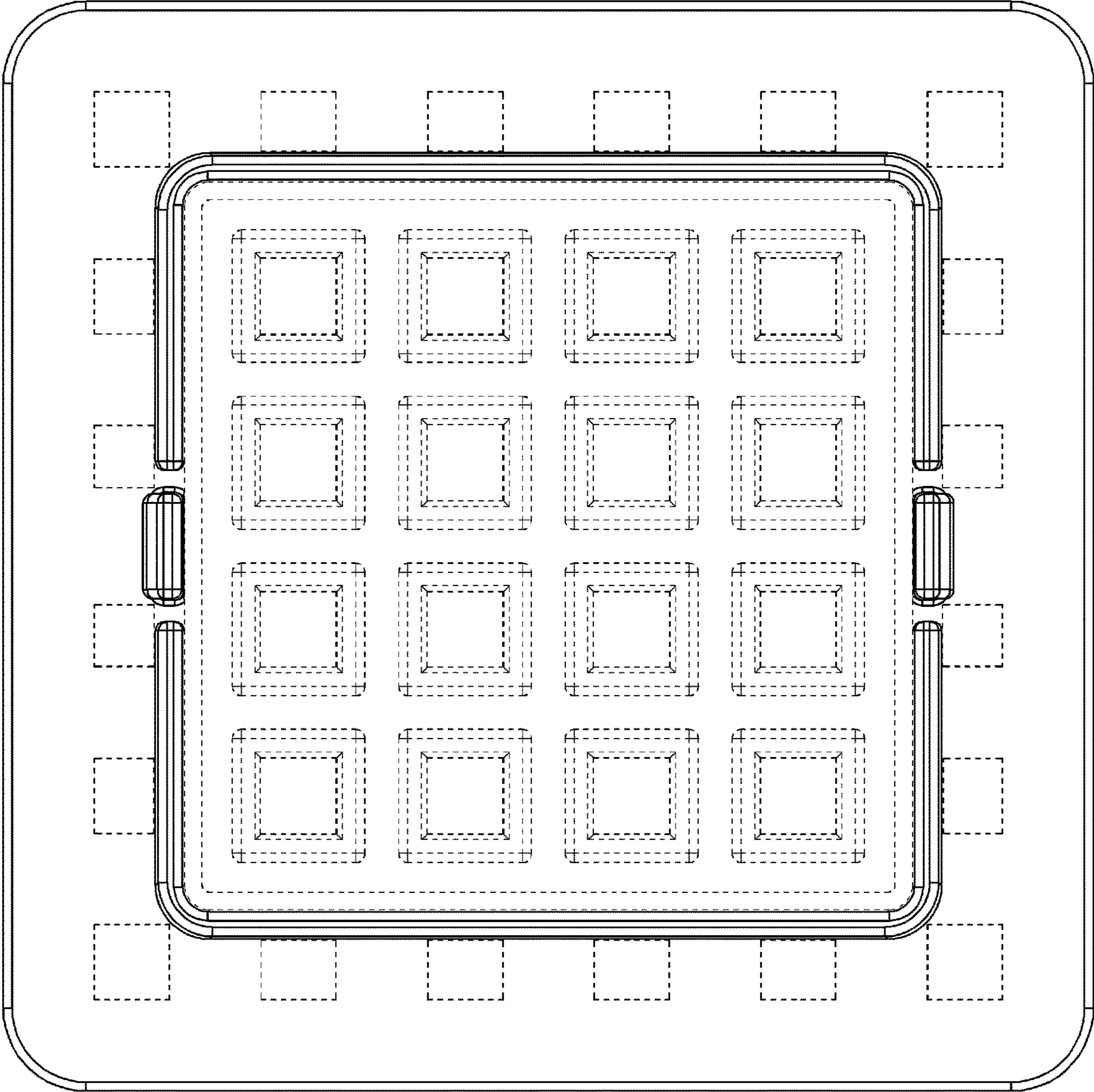


FIG. 7